

Specification Submittal Data / Panasonic Ventilation Fan

Description:

Ventilating fan shall be Low Noise ceiling or wall mount type rated for continuous run. Fan shall be ENERGY STAR[®] rated and certified by the Home Ventilation Institute (HVI). Evaluated by Underwriters Laboratories and conform to both UL and cUL safety standards.

Motor/Blower:

- Enclosed brushless ECM motor technology rated for continuous run.
- Fan ventilation rates shall be manually adjustable for 50-80-100 CFM.
- Power rating shall be 120 volts and 60 Hz.
- Fan shall be UL and cUL listed for tub/shower enclosure when GFCI protected and used in insulated ceiling (TYPE I.C.).
- PCB board equipped with thermal-cut-off fuse.
- Removable with permanently lubricated plug-in motor.

Housing:

- 26 gauge galvanized steel body.
- Built-in 4" Oval duct collar. Also compatible with 4" round duct.
- Optional 24 gauge steel, fire code rated 4" oval to 3" round duct adaptor sold separately (Model # FV-VS43R).
- Built in backdraft damper.
- Built-in metal flange provides blocking for penetrations through drywall as an Air Barrier, and assists with the decrease in leakage in the Building Envelope during blower door testing.
- Unique L-shaped bracket simplifies installation and provides strong support.

Ceiling Radiation Damper:

- WhisperValue DC is UL listed for use with the Panasonic Ceiling Radiation Damper (Model #: PC-RD05C5, sold separately).

Grille:

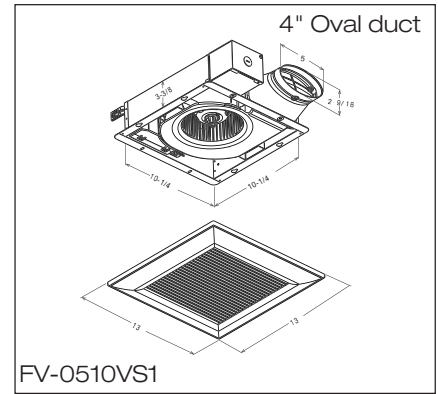
- Attractive design using Poly Pro material.
- Attaches directly to housing with torsion springs.

Warranty:

- ECM Motor: 6 Years from original purchase date.
- ALL Parts: 3 Years from original purchase date.

Architectural Specifications:

Ventilation fan shall be UL and cUL listed for ceiling or wall mount and tub/shower enclosure when GFCI protected. Fan shall also be ENERGY STAR[®] certified, with a built-in speed selector. Choose from 50-80-100 CFM and no more than <0.3/0.4/0.9 sone as certified by the Home Ventilating Institute (HVI) at 0.1 static pressure in inches water gauge (w.g.) with no less than 53/81/100 CFM and no more than 0.5/0.8/1.3 sone as certified by HVI at 0.25 w.g., and 52/75/83 at 0.375 w.g. Power Consumption shall be no greater than 4.4/7.2/11.1 watts at 0.1 w.g. and 7.5/11.5/16.0 watts at 0.25 w.g., and at 0.375 w.g. 12.0/16.0/18.0 watts, with efficiency of no less than 12.8/11.4/9.2 CFM/watt at 0.1 w.g. and 7.9/7.2/6.4 CFM/watt at 0.25 w.g., and 4.3/4.7/4.6 CFM/watt at 0.375" w.g. The motor shall be totally enclosed with a brushless ECM motor engineered to run continuously. ECM motor speed shall automatically increase when the fan senses static pressure to maintain selected CFM. Power rating shall be



FV-0510VS1

120V/60Hz. Duct diameter shall be no less than 4". Optional 24 gauge steel, fire code rated 4" oval to 3" round duct adaptor sold separately (Model # FV-VS43R). Fan can be used to comply with ASHRAE 62.2, LEED, EarthCraft, California Title-24 and WA Ventilation Code.

WhisperValue Contractor Pack*

The Contractor Pack includes four complete fans. The housing and motor/grille are packaged separately for flexibility during installation.

Housing Can	Motor/Grille Assembly	Complete Fan Unit	Master Pack
FV-0510VSA1	FV-0510VSB1	FV-0510VS1	4

*Must order in quantities of 4. Shipment will contain 1 box with 4 units.

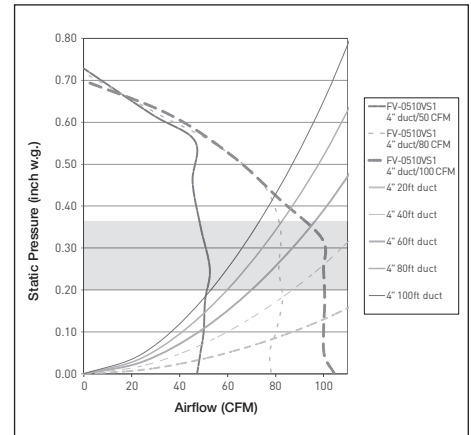
Specifications: WhisperValueDC FV-0510VS1		4" Oval			4" Oval			4" Oval			
Ventilation Fan Characteristics (HVI Certified Data)	Static Pressure in inches w.g.	0.1	0.25	0.375	0.1	0.25	0.375	0.1	0.25	0.375	
	Air Volume (CFM)	100	100	83	80	81	75	50	53	52	
	Noise (sones)	0.9	1.3	-	0.4	0.8	-	<0.3	0.5	-	
	Power Consumption (watts)	11.1	16.0	18.0	7.2	11.5	16.0	4.4	7.5	12.0	
	Energy Efficiency (CFM/Watt)	9.2	6.4	4.6	11.4	7.2	4.7	12.8	7.9	4.3	
	Speed (RPM)	902	1121	1300	797	1070	1270	708	1025	1230	
	Current (amps)	0.20	0.27	0.25	0.13	0.20	0.24	0.09	0.14	0.17	
	MAX. Current (amps)	0.39									
	Power Rating (V/Hz)	120/60									
	ENERGY STAR rated	Yes									

*Industry research indicates static pressure in typical installations ranges from 0.20" to 0.375"

For complete Installation Instructions visit us.panasonic.com/ventfans

Model	Quantity	Comments	Project:
			Location:
			Architect:
			Engineer:
			Contractor:
			Submitted by:
			Date:

Performance Curve 4" Oval duct



Panasonic Life Solutions Company of America
IAQ Division
Two Riverfront Plaza
Newark, NJ 07102



ECM Motor Technology

When the fan senses static pressure, its speed is automatically increased to ensure that the desired CFM is not compromised, which allows the fan to perform as rated.

us.panasonic.com/ventfans

