

**Specification Submittal Data / Panasonic Ventilation Fan**

**Description:**

Ventilating fan shall be Low Noise ceiling or wall mount type rated for continuous run. Fan shall be ENERGY STAR<sup>®</sup> rated and certified by the Home Ventilation Institute (HVI). Evaluated by Underwriters Laboratories and conform to both UL and cUL safety standards.

**Motor/Blower:**

- Enclosed brushless ECM motor technology rated for continuous run.
- Fan ventilation rates shall be manually adjustable for 50-80-100 CFM.
- Power rating shall be 120 volts and 60 Hz.
- Fan shall be UL and cUL listed for tub/shower enclosure when GFCI protected and used in insulated ceiling (TYPE I.C.).
- PCB board equipped with thermal-cutoff fuse.
- Removable with permanently lubricated plug-in motor.

**Housing:**

- 26 gauge galvanized steel body.
- Built-in 4" Oval duct collar. Also compatible with 4" round duct.
- Optional 24 gauge steel, fire code rated 4" oval to 3" round duct adaptor sold separately (Model # FV-VS43R).
- Built in backdraft damper.
- Built-in metal flange provides blocking for penetrations through drywall as an Air Barrier, and assists with the decrease in leakage in the Building Envelope during blower door testing.
- Unique L-shaped bracket simplifies installation and provides strong support.

**Ceiling Radiation Damper:**

- WhisperValue DC is UL listed for use with the Panasonic Ceiling Radiation Damper (Model #: PC-RD05C5, sold separately).

**Grille:**

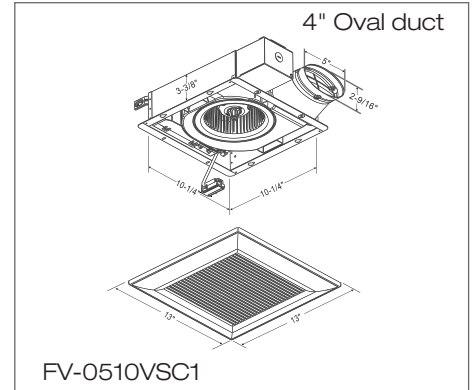
- Attractive design using Poly Pro material.
- Attaches directly to housing with torsion springs.

**Warranty:**

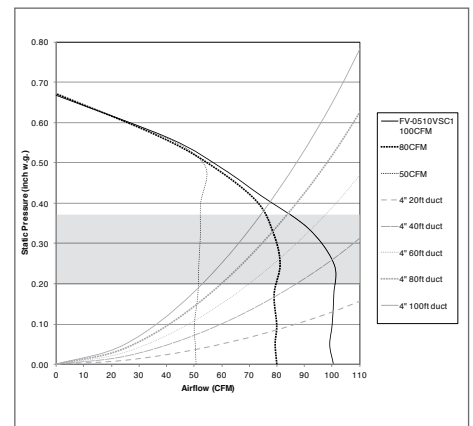
- ECM Motor: 6 Years from original purchase date.
- ALL Parts: 3 Years from original purchase date.

**Architectural Specifications:**

Ventilation fan shall be UL and cUL listed for ceiling or wall mount and tub/shower enclosure when GFCI protected. Fan shall also be ENERGY STAR<sup>®</sup> certified, with a condensation sensor that shall be built-in and able to detect relative humidity and temperature to anticipate dew point. Fan shall also incorporate a built-in speed selector. Choose from 50 / 80 / 100 CFM and no more than <0.3 / 0.4 / 0.9 sone as certified by the Home Ventilating Institute (HVI) at 0.1 static pressure in inches water gauge (w .g.) with no less than 52 / 81 / 101 CFM and no more than 0.5 / 0.8 / 1.3 sone as certified by HVI at 0.25 w.g, and 52 / 75 / 83 CFM at 0.375 w.g. Power Consumption shall be no greater than 4.5 / 8.5 / 12.4 watts at 0.1 w.g, 7.7/13.2/18.0 watts at 0.25 w.g, and 12.0 / 16.0 / 18.0 watts at 0.375 w.g. Efficiency should be no less than 12.1 / 10.0 / 8.2 CFM/watt at 0.1 w.g, 7.3 / 6.5 / 5.7 CFM/watt at 0.25 w.g, and 4.3 / 4.7 / 4.6 CFM/watt at 0.375 w.g. The motor shall be totally enclosed with a brushless ECM motor engineered to run continuously. ECM motor speed shall automatically increase when the fan senses static pressure to maintain selected CFM. Power rating shall be 120V/60Hz. Duct diameter shall be no less than 4". Optional 24-gauge steel, fire code rated 4" oval to 3" round duct adaptor sold separately (Model # FV -VS43R). Fan can be used to comply with ASHRAE 62.2, CALGreen, LEED, EarthCraft, California Title-24 and WA Ventilation Code.



**Performance Curve 4" Oval duct**



**Specifications and additional features on following page.**

For complete Installation Instructions visit [us.panasonic.com/ventfans](http://us.panasonic.com/ventfans)

| Model | Quantity | Comments | Project:      |
|-------|----------|----------|---------------|
|       |          |          | Location:     |
|       |          |          | Architect:    |
|       |          |          | Engineer:     |
|       |          |          | Contractor:   |
|       |          |          | Submitted by: |
|       |          |          | Date:         |

**Specification Submittal Data** / Panasonic Ventilation Fan

(Continued)



**ECM Motor Technology**

When the fan senses static pressure, its speed is automatically increased to ensure that the desired CFM is not compromised, which allows the fan to perform as rated.

**Condensation Sensor**

Controls bathroom condensation to prevent mold and mildew. Sensor technology detects relative humidity and temperature to anticipate dew point, automatically turning the fan on to control humidity. Built-in Relative Humidity (RH) sensitivity adjustment enables fine tuning for moist conditions and for satisfying CALGreen requirements. Fan will run for 20 minutes before turning off.

| Specifications: <b>WhisperValueDC</b> FV-0510VSC1                  |                                | 4" Oval |      |       | 4" Oval |      |       | 4" Oval |      |       |
|--|--------------------------------|---------|------|-------|---------|------|-------|---------|------|-------|
| <b>Ventilation Fan Characteristics</b><br><br>(HVI Certified Data) | Static Pressure in inches w.g. | 0.1     | 0.25 | 0.375 | 0.1     | 0.25 | 0.375 | 0.1     | 0.25 | 0.375 |
|  | Air Volume (CFM)               | 100     | 101  | 83    | 80      | 81   | 75    | 50      | 52   | 52    |
|  | Noise (sones)                  | 0.9     | 1.3  | -     | 0.4     | 0.8  | -     | <0.3    | 0.5  | -     |
|  | Power Consumption (watts)      | 12.4    | 18.0 | 18.0  | 8.5     | 13.2 | 16.0  | 4.5     | 7.7  | 12.0  |
|  | Energy Efficiency (CFM/Watt)   | 8.2     | 5.7  | 4.6   | 10.0    | 6.5  | 4.7   | 12.1    | 7.3  | 4.3   |
|  | Speed (RPM)                    | 954     | 1176 | 1300  | 856     | 1114 | 1270  | 733     | 1050 | 1230  |
|  | Current (amps)                 | 0.18    | 0.25 | 0.25  | 0.13    | 0.20 | 0.24  | 0.08    | 0.13 | 0.17  |
|  | MAX. Current (amps)            | 0.39    |      |       |         |      |       |         |      |       |
|  | Power Rating (V/Hz)            | 120/60  |      |       |         |      |       |         |      |       |
|  | ENERGY STAR rated              | Yes     |      |       |         |      |       |         |      |       |

\*Industry research indicates static pressure in typical installations ranges from 0.20" to 0.375"

**Panasonic Life Solutions Company of America**  
**IAQ Division**  
Two Riverfront Plaza  
Newark, NJ 07102

[us.panasonic.com/ventfans](http://us.panasonic.com/ventfans)

