



Adjustable-length Twist lever for position switch 3SE51/52 Metal lever 100 mm
long Rubber roller 50 mm

| | |
|--|--|
| product brand name | SIRIUS |
| product designation | actuator for part-turn actuator |
| product type designation | 3SE5 |
| manufacturer's article number | |
| • of the supplied operating lever | 3SE5000-0AA58 |
| suitability for use safety switch | No |
| General technical data | |
| product function positive opening | No |
| shock resistance | |
| • according to IEC 60068-2-27 | 30g / 11 ms |
| vibration resistance | |
| • according to IEC 60068-2-6 | 0.35 mm/5g |
| mechanical service life (operating cycles) typical | 15 000 000 |
| reference code according to IEC 81346-2 | T |
| active principle | mechanical |
| Substance Prohibition (Date) | 07/01/2006 |
| Weight | 0.047 kg |
| Ambient conditions | |
| ambient temperature | |
| • during operation | -25 ... +85 °C |
| • during storage | -40 ... +90 °C |
| explosion protection category for dust | none |
| Enclosure | |
| coating of the enclosure | Other types |
| Drive Head | |
| design of the actuating element | Adjustable twist lever, adjustable-length metal lever, rubber roller 50 mm |
| shape of the switch head | roller |
| outer diameter of the switch head | 50 mm |
| Installation/ mounting/ dimensions | |
| mounting position | any |
| fastening method | screw fixing |
| design of the interface for safety-related communication | without |
| Communication/ Protocol | |
| design of the interface | without |
| Approvals Certificates | |
| General Product Approval | |



EG-Konf.

[Confirmation](#)



UR

[KC](#)



| | | | |
|-------------------|-------------------|-------|-------------|
| Functional Safety | Test Certificates | other | Environment |
|-------------------|-------------------|-------|-------------|



[Type Test Certificates/Test Report](#)

[Confirmation](#)

[Environmental Confirmations](#)

Further information

Information on the packaging

<https://support.industry.siemens.com/cs/ww/en/view/109813875>

Information- and Downloadcenter (Catalogs, Brochures,...)

<https://www.siemens.com/ic10>

Industry Mall (Online ordering system)

<https://mall.industry.siemens.com/mall/en/en/Catalog/product?mlfb=3SE5000-0AA58>

Cax online generator

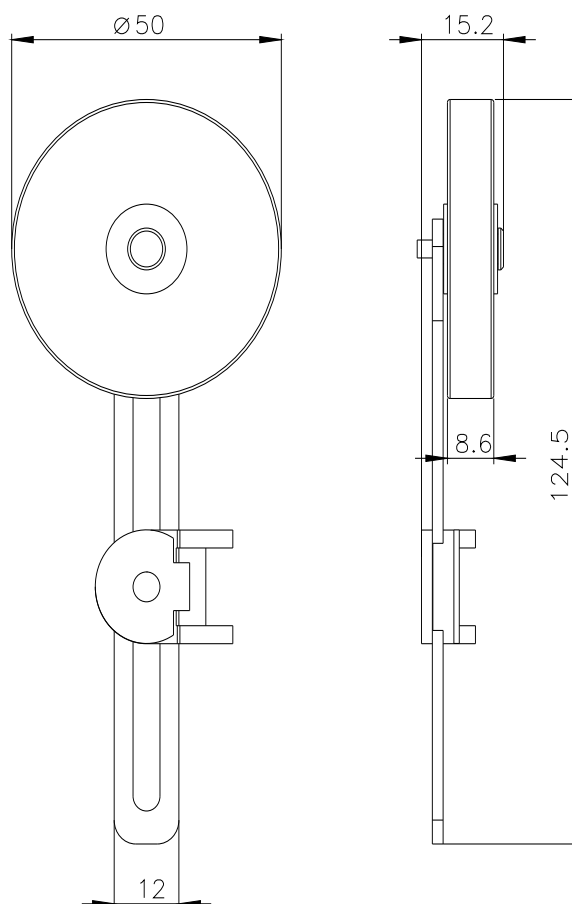
<http://support.automation.siemens.com/WW/CAXorder/default.aspx?lang=en&mlfb=3SE5000-0AA58>

Service&Support (Manuals, Certificates, Characteristics, FAQs,...)

<https://support.industry.siemens.com/cs/ww/en/ps/3SE5000-0AA58>

Image database (product images, 2D dimension drawings, 3D models, device circuit diagrams, EPLAN macros, ...)

http://www.automation.siemens.com/bilddb/cax_de.aspx?mlfb=3SE5000-0AA58&lang=en



last modified:

12/21/2020