

Actuator head for position switch 3SE51 Angular roller lever Stainless steel lever with Stainless steel roller 22 mm



product brand name	SIRIUS
product designation	actuator head for position switch
product type designation	3SE5
manufacturer's article number	
<ul style="list-style-type: none"> <li>of the supplied actuator head for position switches</li> </ul>	<a href="#">3SE5000-0AF04</a>
<b>General technical data</b>	
product function positive opening	Yes
shock resistance	
<ul style="list-style-type: none"> <li>according to IEC 60068-2-27</li> </ul>	30g / 11 ms
vibration resistance	
<ul style="list-style-type: none"> <li>according to IEC 60068-2-6</li> </ul>	0.35 mm/5g
mechanical service life (operating cycles) typical	15 000 000
material of the enclosure of the switch head	plastic
reference code according to IEC 81346-2	T
active principle	mechanical
Substance Prohibition (Date)	07/01/2006
Weight	0.06 kg
minimum actuating force in directions of actuation	10 N
<b>Ambient conditions</b>	
ambient temperature	
<ul style="list-style-type: none"> <li>during operation</li> <li>during storage</li> </ul>	-25 ... +85 °C -40 ... +90 °C
explosion protection category for dust	none
<b>Enclosure</b>	
coating of the enclosure	Other types
<b>Drive Head</b>	
design of the actuating element	Angular roller lever, high-grade steel lever, high-grade steel roller
standard-compliant actuator head	EN 50041
shape of the switch head	roller
outer diameter of the switch head	22 mm
<b>Installation/ mounting/ dimensions</b>	
mounting position	any
fastening method	lockable plug-in fixing
design of the interface for safety-related communication	without
<b>Communication/ Protocol</b>	
design of the interface	without
<b>Approvals Certificates</b>	
General Product Approval	Functional Safety

[Confirmation](#)



Test Certificates	other	Environment
-------------------	-------	-------------

[Type Test Certificates/Test Report](#)

[Confirmation](#)

[Environmental Confirmations](#)

#### Further information

Information on the packaging

<https://support.industry.siemens.com/cs/ww/en/view/109813875>

Information- and Downloadcenter (Catalogs, Brochures,...)

<https://www.siemens.com/ic10>

Industry Mall (Online ordering system)

<https://mall.industry.siemens.com/mall/en/en/Catalog/product?mlfb=3SE5000-0AF04>

Cax online generator

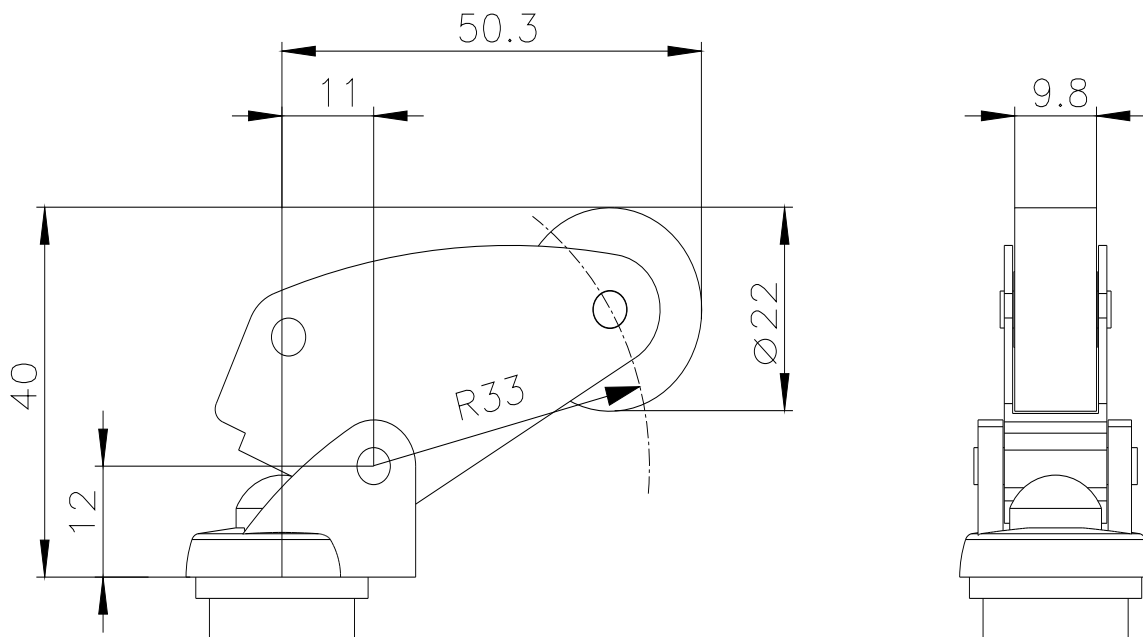
<http://support.automation.siemens.com/WW/CAXorder/default.aspx?lang=en&mlfb=3SE5000-0AF04>

Service&Support (Manuals, Certificates, Characteristics, FAQs,...)

<https://support.industry.siemens.com/cs/ww/en/ps/3SE5000-0AF04>

Image database (product images, 2D dimension drawings, 3D models, device circuit diagrams, EPLAN macros, ...)

[http://www.automation.siemens.com/bilddb/cax\\_de.aspx?mlfb=3SE5000-0AF04&lang=en](http://www.automation.siemens.com/bilddb/cax_de.aspx?mlfb=3SE5000-0AF04&lang=en)



last modified:

12/21/2020