

## Individual Spec Sheet

# MOTION SENSOR EDGELIT

## LED CEILING LUMINAIRE

3 CCT Selectable

PIR Motion Sensor and Photocell

### ORDERING INFORMATION

**Order code:** 70119  
**Model number:** CLEL7-R12W-A-3CWH-MS  
**UPC:** 069549031913  
**Case quantity:** 40

### PHYSICAL DATA

**Length in. (cm):** 6 1/2 (16.60)  
**Lens material:** Frosted polystyrene  
**Housing material:** White polycarbonate housing  
**Mounting:** Surface  
**Sensor:** Integrated motion sensor and photocell

### PERFORMANCE DATA

**Watts (W):** 12  
**Volts (V AC):** 120  
**Color temperature (K)<sup>1</sup>:** 3 000/4 000/5 000  
**Lumen output (lm)<sup>2,3</sup>:** 806  
**Efficacy (lm/W):** 67  
**CRI:** 80+  
**Life L70 (h)<sup>4</sup>:** 54 000  
**Tested LM-80 (h)<sup>4</sup>:** 9 000  
**Power factor:** >0.8  
**Frequency (Hz):** 60  
**Operating temp. range:** -10 °C to 40 °C (-14 °F to 104 °F).

<sup>1</sup> Typical color temperature range: +/- 5 %.

<sup>2</sup> Lumen values are derived from photometric testing. Initial lumens range: +/- 10 %.

<sup>3</sup> Lumen values are based on 3 000 K default programming. Please refer to the LUMEN SPECIFICATION TABLE for more details on other color temperatures.

<sup>4</sup> Life hours are derived from IESNA LM-80 testing report and projected per IESNA TM-21 extrapolations.

### LUMEN SPECIFICATION TABLE

Watts (W)	3 000 K		4 000 K		5 000 K	
	Lumen output (lm)	Efficacy (lm/W)	Lumen output (lm)	Efficacy (lm/W)	Lumen output (lm)	Efficacy (lm/W)
12	806	67	873	73	789	66

#### DEFAULT PROGRAMMING

3 000 K



quick ship



LED fixture



damp location



ICES 005



Intertek

This lighting equipment meets requirements of ICES-005 issue 5 class B for use in residential applications. Data is based upon tests performed in a controlled environment. Actual performance can vary depending on operating conditions. Specifications are subject to change without notice.

**SENSOR FUNCTION AND DETECTION PATTERN**

**Day and Night Mode Sensor Functions**

**Day Light / Night Light Mode Switch**

Choose day or night mode via the switch located on the back luminaire body.



**Day time mode (default sensor setting)**



The luminaire will turn on when motion is detected, regardless of the presence of natural light.



The luminaire will remain on for 60 seconds, or until no motion is detected.

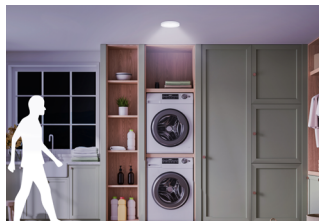


The luminaire will remain in standby mode when no motion is detected.

**Night time mode**



When the room is illuminated with natural light the luminaire will not turn on when someone enters the room.



When no natural light is detected, the luminaire will turn on when someone enters the room.

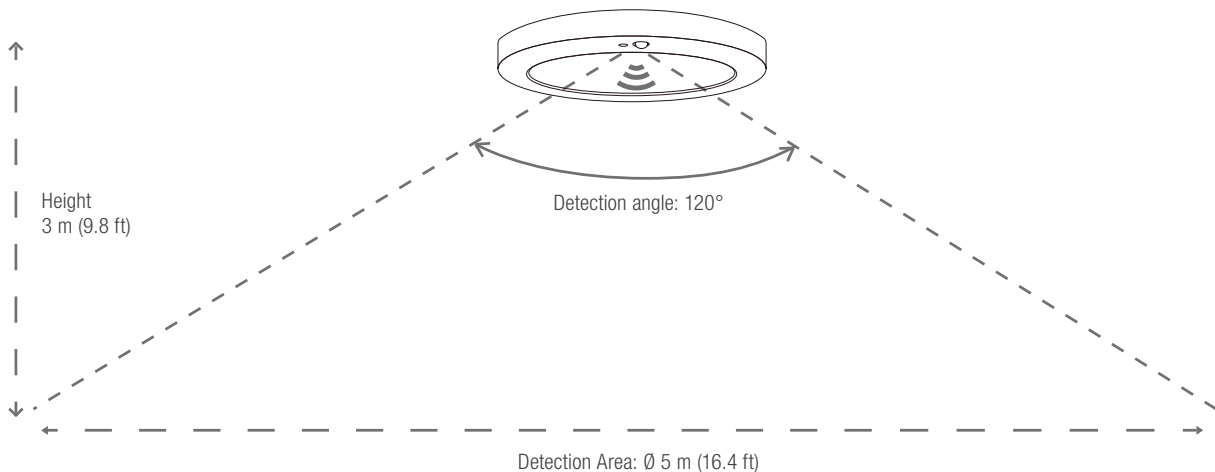


The luminaire will remain on for 60 seconds, or until no motion is detected.



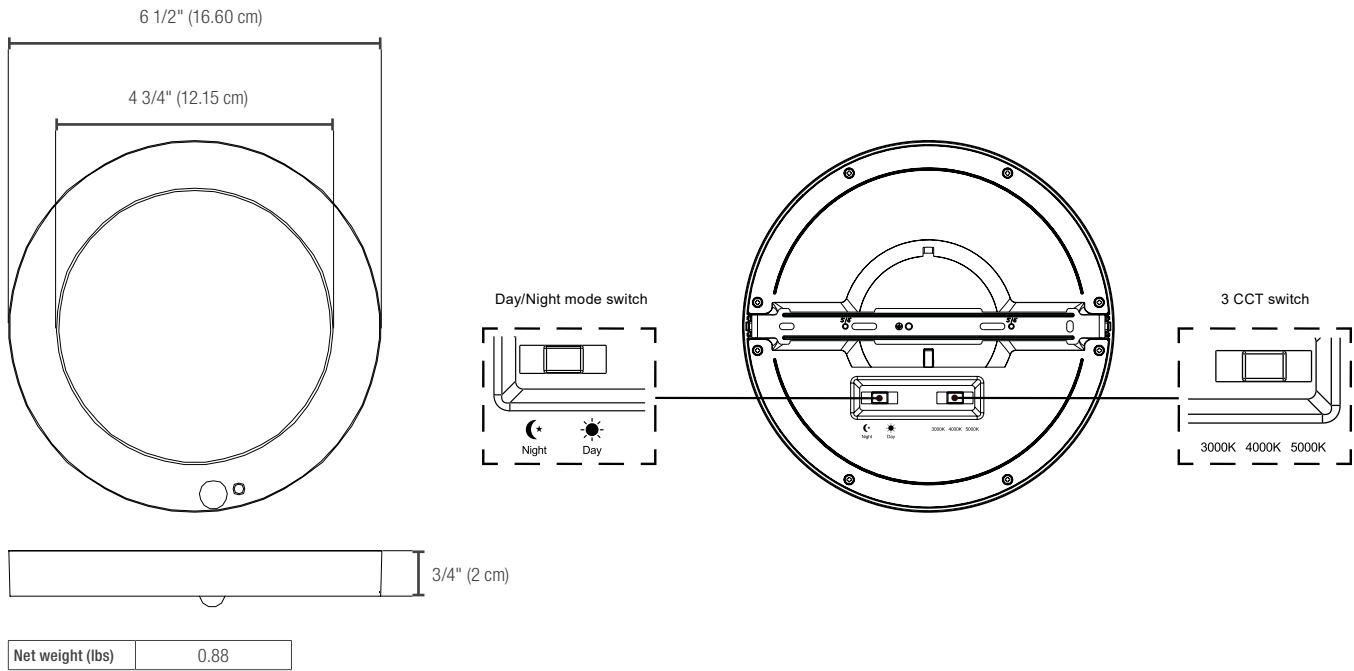
The luminaire will remain in standby mode when no motion is detected.

**Sensor Detection Coverage**



Data is based upon tests performed in a controlled environment. Actual performance can vary depending on operating conditions. All products are subject to change or may be discontinued any time without notice. Please contact your Stanpro customer service representative to confirm inventory levels at time of order.

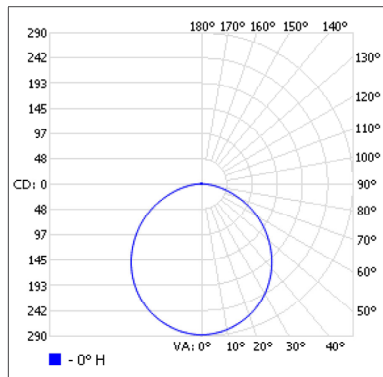
**DIMENSIONS AND WEIGHT**



**PHOTOMETRIC DATA<sup>1</sup>**

**70119 • CLEL7-R12W-A-3CWH-MS • 12 W • 3 000 K • 806.4 lm**

**Polar candela distribution**



**Zonal lumen summary**

Zone	Lumens	% Fixture
0-30	222.2	27.6
0-40	363.5	45.1
0-60	639.6	79.3
60-90	165.1	20.5
70-100	67.5	8.4
90-120	0.4	0
0-90	804.7	99.8
90-180	1.8	0.2
0-180	806.4	100

**Illuminance at a distance**

Center beam fc		Beam width
1.7'	99.5	
3.3'	26.4	9.6'
5.0'	11.5	14.5'
6.7'	6.41	19.5'
8.3'	4.17	24.1'
10.0'	2.88	29'

■ Vert. spread: 110.9°

<sup>1</sup> Complete IES files available on our website.

Qty	Description	Price

I accept the specifications of the luminaire configuration mentioned above.

Name: \_\_\_\_\_  
 Company: \_\_\_\_\_  
 Signature: \_\_\_\_\_

Date: \_\_\_\_\_

Data is based upon tests performed in a controlled environment. Actual performance can vary depending on operating conditions. All products are subject to change or may be discontinued any time without notice. Please contact your Stanpro customer service representative to confirm inventory levels at time of order.