



Adjustable-length Twist lever for position switch 3SE51/52 Metal lever 100 mm long Positive fit (grid hole) plastic roller 19 mm

product brand name	SIRIUS
product designation	actuator for part-turn actuator
product type designation	3SE5
manufacturer's article number	
• of the supplied operating lever	<a href="#">3SE5000-0AA60</a>
<b>General technical data</b>	
product function positive opening	Yes
shock resistance	
• according to IEC 60068-2-27	30g / 11 ms
vibration resistance	
• according to IEC 60068-2-6	0.35 mm/5g
mechanical service life (operating cycles) typical	15 000 000
reference code according to IEC 81346-2	T
active principle	mechanical
Substance Prohibition (Date)	07/01/2006
Weight	0.037 kg
<b>Ambient conditions</b>	
ambient temperature	
• during operation	-25 ... +85 °C
• during storage	-40 ... +90 °C
explosion protection category for dust	none
<b>Enclosure</b>	
coating of the enclosure	Other types
<b>Drive Head</b>	
design of the actuating element	Adjustable twist lever, adjustable-length metal lever with latching, plastic roller 19 mm
shape of the switch head	roller
outer diameter of the switch head	19 mm
<b>Installation/ mounting/ dimensions</b>	
mounting position	any
fastening method	screw fixing
design of the interface for safety-related communication	without
<b>Communication/ Protocol</b>	
design of the interface	without
<b>Approvals Certificates</b>	
General Product Approval	



[Confirmation](#)



[KC](#)



Functional Safety	Test Certificates	other	Environment
-------------------	-------------------	-------	-------------



[Type Test Certificates/Test Report](#)

[Confirmation](#)

[Environmental Confirmations](#)

### Further information

Information on the packaging

<https://support.industry.siemens.com/cs/ww/en/view/109813875>

Information- and Downloadcenter (Catalogs, Brochures,...)

<https://www.siemens.com/ic10>

Industry Mall (Online ordering system)

<https://mall.industry.siemens.com/mall/en/en/Catalog/product?mlfb=3SE5000-0AA60>

Cax online generator

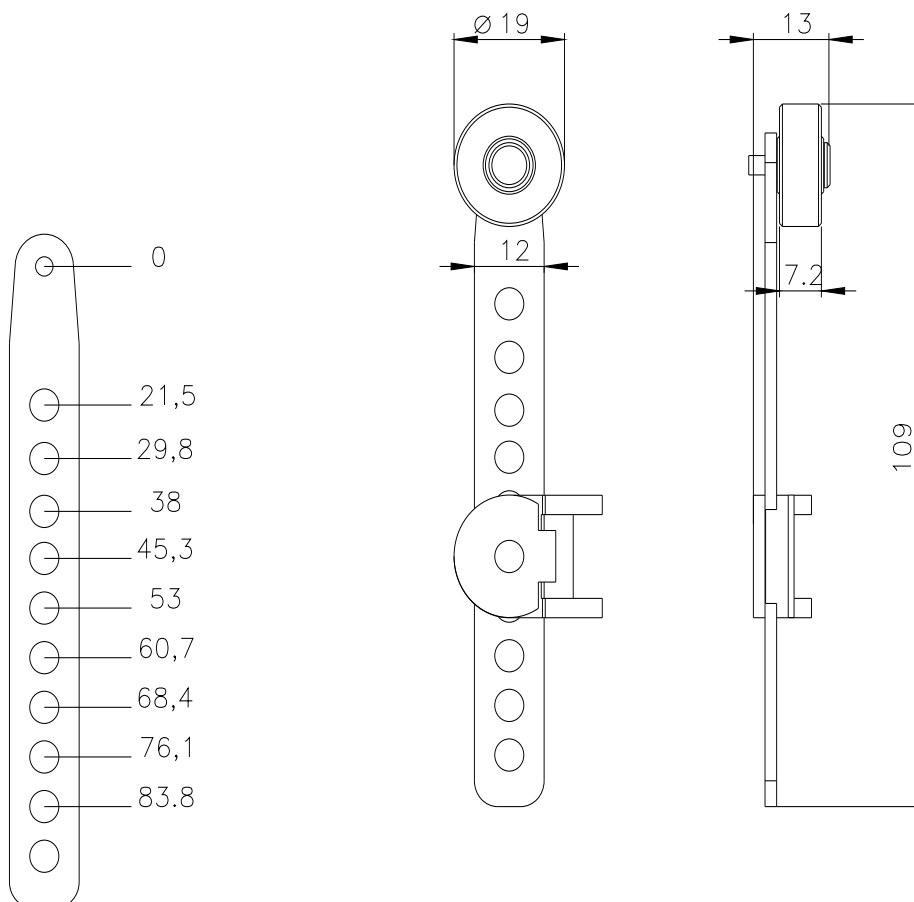
<http://support.automation.siemens.com/WW/CAXorder/default.aspx?lang=en&mlfb=3SE5000-0AA60>

Service&Support (Manuals, Certificates, Characteristics, FAQs,...)

<https://support.industry.siemens.com/cs/ww/en/ps/3SE5000-0AA60>

Image database (product images, 2D dimension drawings, 3D models, device circuit diagrams, EPLAN macros, ...)

[http://www.automation.siemens.com/bilddb/cax\\_de.aspx?mlfb=3SE5000-0AA60&lang=en](http://www.automation.siemens.com/bilddb/cax_de.aspx?mlfb=3SE5000-0AA60&lang=en)



last modified:

12/21/2020