

Project: _____ Type: _____

Drawn by: _____ Catalogue #: _____ Date: _____

Individual Spec Sheet

FLL

BRONZE SLIPFITTER AND WALL MOUNT ADAPTER 450W

ORDERING INFORMATION

Order code: 69813
Description: Slipfitter and wall mount adapter 450W
UPC: 069549030329
Case quantity: 10

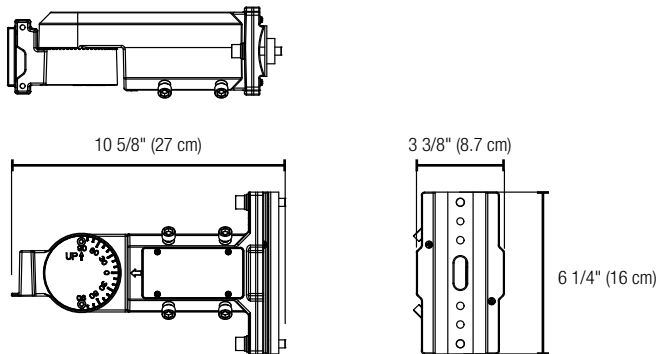
PHYSICAL DATA

Type: Slipfitter and wall mount adapter
Material: Diecast aluminum
Finish: Bronze
Length: 10 5/8" (270 mm)
Width: 6 5/16" (160 mm)
Height: 3 7/16" (87 mm)
Weight: 2.6

COMPATIBLE WITH

Order code	Model number
69798	FLLL-PS450W-Q3CBR

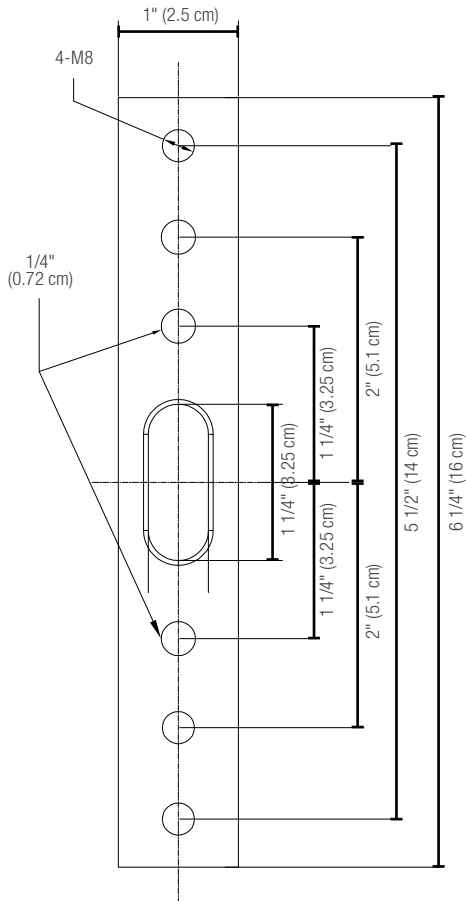
DIMENSIONS



This lighting equipment meets requirements of ICES-005 issue 5 class B for use in residential applications. Data is based upon tests performed in a controlled environment. Actual performance can vary depending on operating conditions. Specifications are subject to change without notice.

DRILLING PATTERNS

Slipfitter and wall/pole mount adapter



Qty	Description	Price

I accept the specifications of the luminaire configuration mentioned above.

Name: _____

Company: _____

Signature: _____

Date: _____

Data is based upon tests performed in a controlled environment. Actual performance can vary depending on operating conditions. All products are subject to change or may be discontinued any time without notice. Please contact your Stanpro customer service representative to confirm inventory levels at time of order.