

side wall mounted rot. operator EMERGENCY OFF IEC IP65 with mounting bracket accessory for: 3VA51



Model	
product brand name	SETRON
product designation	side wall-mounted rotary operator
accessories	Side panel rotary operating mechanism
General technical data	
degree of protection NEMA rating	1, 3R, 12
protection class IP	IP65
Mechanical Design	
height	70 mm
Certificates	
General Product Approval	EMV



EG-Konf.




UL

[Miscellaneous](#)



RCM

Marine / Shipping	other	Environment			
 LRS	Miscellaneous	Confirmation	Miscellaneous	Environmental Con- firmations	Environmental Con- firmations

Further information

Information on the packaging

<https://support.industry.siemens.com/cs/ww/en/view/109813875>

Information- and Downloadcenter (Catalogs, Brochures,...)

<http://www.siemens.com/lowvoltage/catalogs>

Industry Mall (Online ordering system)

<https://mall.industry.siemens.com/mall/en/en/Catalog/product?mlfb=3VA9137-0PK55>

Service&Support (Manuals, Certificates, Characteristics, FAQs,...)

<https://support.industry.siemens.com/cs/ww/en/ps/3VA9137-0PK55>

Image database (product images, 2D dimension drawings, 3D models, device circuit diagrams, ...)

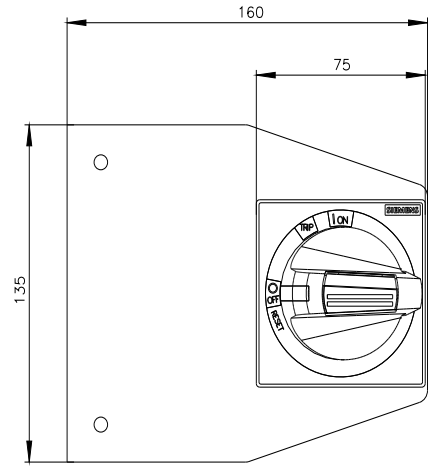
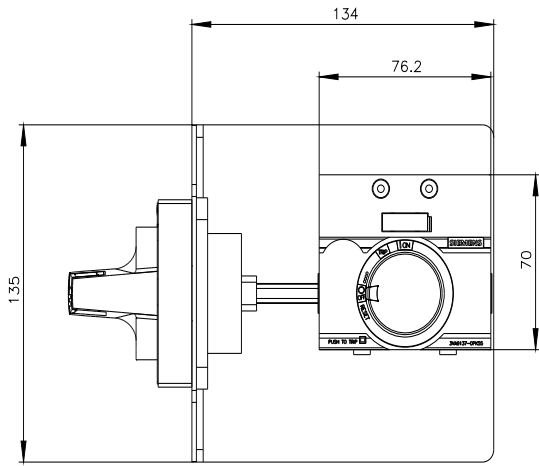
http://www.automation.siemens.com/bilddb/cax_en.aspx?mlfb=3VA9137-0PK55

CAX-Online-Generator

<http://www.siemens.com/cax>

Tender specifications

<http://www.siemens.com/specifications>



last modified:

8/10/2024 

