

**RIP212****26" Rough-In Plate for 2 1/2" Recessed LED**

Project: \_\_\_\_\_

Location: \_\_\_\_\_

Qty: \_\_\_\_\_

Notes: \_\_\_\_\_

DESCRIPTION

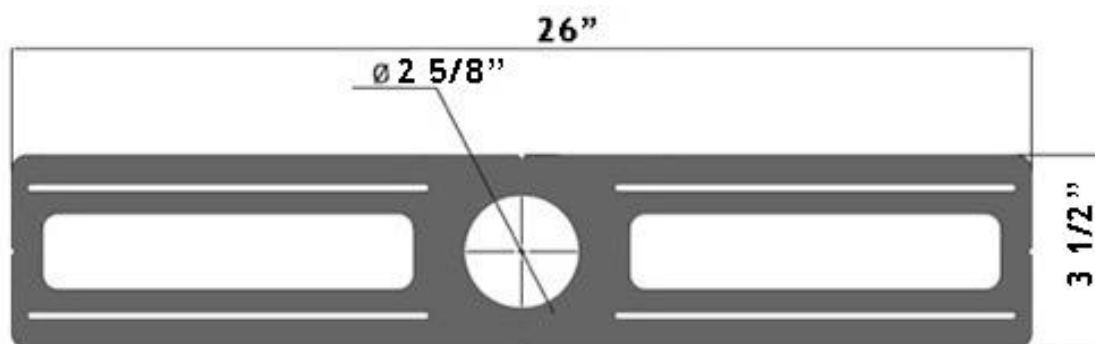
Rough-in plate for new construction pre-mounting of 2 1/2" recessed fixtures.  
Hole diameter 2 5/8"

FEATURES

Made from galvanized steel, 26" long to fit joists up to 24" apart.  
Plate has alignment notches

MOUNTING

Fix the plate with screws (not supplied) through the mounting slots  
Optional: Purchase our Magnetic tool for precise laser alignment

COMPATIBLE FIXTURES[LED-2-S5W-5CCT-FG](#)[LRG2](#)[LRG2-HO](#)[LSG2](#)[LSG2-HO](#)[LED-2-S8W2](#)[LED-2-S15W](#)[LED-2-S15W-L5CCTWH-T](#)[LED-2-S11W-EY](#)[LED-2-S11W-EY-T](#)[JXL-COB02-R08W-CCT](#)[JXL-COB02-S08W-CCT](#)ACCESSORIES

Magnetic tool for precise alignment  
[model # LLL-BRT](#)

ORDERING GUIDEmodel # **RIP212****Lotus LED Lights USA**

250 H Street # 301, Blaine WA 98230 tel 360-200-5500  
Hainesport NJ, Naples FL, Vancouver WA

[www.LotusLEDLights.com](http://www.LotusLEDLights.com)

mailing addresses  
warehouses

**Lotus LED Lights CANADA**

1080 Cliveden Ave # 6, Delta BC V3M 6G6 tel 604-538-3090  
Delta BC & Mississauga ON