



**RAB**<sup>®</sup>  
DESIGN

BOXES • COVERS • CONDUIT BODIES • WEATHERPROOF FIXTURES

# CONSTRUCTION & WEATHERPROOF PRODUCTS

RAB Design Lighting has been manufacturing construction and lighting products for the Canadian electrical industry for **50 years**. Our mission has always been to produce quality products that are affordable, easy to install, and capable of standing the test of time.

Our original weatherproof zinc VXJ box was first introduced in the 1960's and has become the number one choice of Contractors and Electricians in Canada. Known as the "**RAB Box**" in the industry, the zinc VXJ box was the first in a long line of boxes, cover plates, conduit bodies, and vapourproof fixtures featured in this catalogue.

Construction and weatherproof products have been the foundation of our business. Over the years we have honed our expertise in developing best in class products to create our extensive range of high-quality **LED lighting fixtures**. Our selection of LED products includes wall lights, flood lights, area lights, bollards, sign lights, canopy lights, under cabinet lights, and more.

Our in-house engineering team collaborates with customers to consistently deliver smartly designed, high performance light fixtures which get the job done efficiently and on budget. When you buy a RAB Design Lighting product you are guaranteed quality, durability, and long-lasting peace of mind.

Visit [rabdesign.ca](http://rabdesign.ca) to learn more about our construction and lighting products.

# OUR CUSTOMERS



We have been using RAB VXJ Series boxes for over 27 years. We pride ourselves on the quality of our work and we expect the same from the products we install. With the RAB VXJ series boxes, we know there is no doubt that the same pride is put into the quality of RAB's products. When it comes to ordering weatherproof boxes, we order specifically the RAB name!

**-CHRIS FANSOLATO // SAM VISCA ELECTRIC**



We know that with the VXJ Zinc box we can take the plugs out easily and run electrical lines even 5 or 10 years down the road.

**-PETER HARRIS // MASTER ELECTRICIAN**



Carney Electric has been in business for over 50 years, and as a third generation electrician, we have used RAB device boxes for as long as I can remember. We can always count on RAB for top quality, dependable products.

**-RYAN CARNEY // CARNEY ELECTRIC LTD.**

# TABLE OF CONTENTS



## ROUND BOXES .....7

VXJ  
DVXJ



## ROUND COVERS.....13

C100	DECORATIVE PLATE 1 HOLE
C103	DECORATIVE PLATE 2 HOLE
XC-2	XCS
CR-3	DEX-5
DC100	R SERIES PLUGS
DC103	R10Z PLUG



## RECTANGULAR BOXES.....27

5613	DDB23P
D5613	D5313
D5614	D5317
D5615	DDB252P
D5616	DDB273



## RECTANGULAR COVERS.....49

FS-C	GFI-H
FS-2C	GFI-V
FS-3C	DXR-1 / DXR-2
CO1	R14-3



## CONDUIT BODIES..... 59

LB	T
LL	XLSB
LR	C
LRL	



## MULTI-USE WEATHERPROOF ..... 75

RC	R100
RW	HR
BALL GLOBES	HRL
CYLINDER GLOBES	



## INDUSTRIAL WEATHERPROOF ... 91

VAS	DVBKS
VAKS	DVCS
VBS	SOCKET/GASKETS
VBKS	GD100/200CGS
VCS	GD100/200CL
DVAKS	GLASS GLOBES





# ROUND BOXES

The durable, weatherproof zinc electrical box (VXJ), known in the industry as the “RAB Box” has been the number one choice of electrical contractors since its introduction in the 1960’s. An aluminum version (DVXJ) was introduced in the early 2000’s. Both are available in natural or powder coated finishes.



VXJ - ZINC BOX



DVXJ -  
ALUMINUM BOX



## NOTES



## VXJ – ZINC BOX

- 5 conduit entries - Side entries are 1/2", 3/4" or 1", bottom conduit entry is 1/2" for 1/2VXJ, and 3/4" for 3/4VXJ and 1VXJ.
- Each unit has two mounting feet, 4 internal posts for mounting covers and 2 additional posts for universal cross bars. All posts are 10-24 tapped.
- Product includes the box, 3 threaded plugs, a cork gasket, a ground screw, 2 cover screws and a stamped aluminum cover. Plugs come loose in the package to reduce installation time.
- Product can be ordered with or without different covers for custom applications. See page 13 for options.
- Raw zinc finish is standard.

Also available in:



Certification:

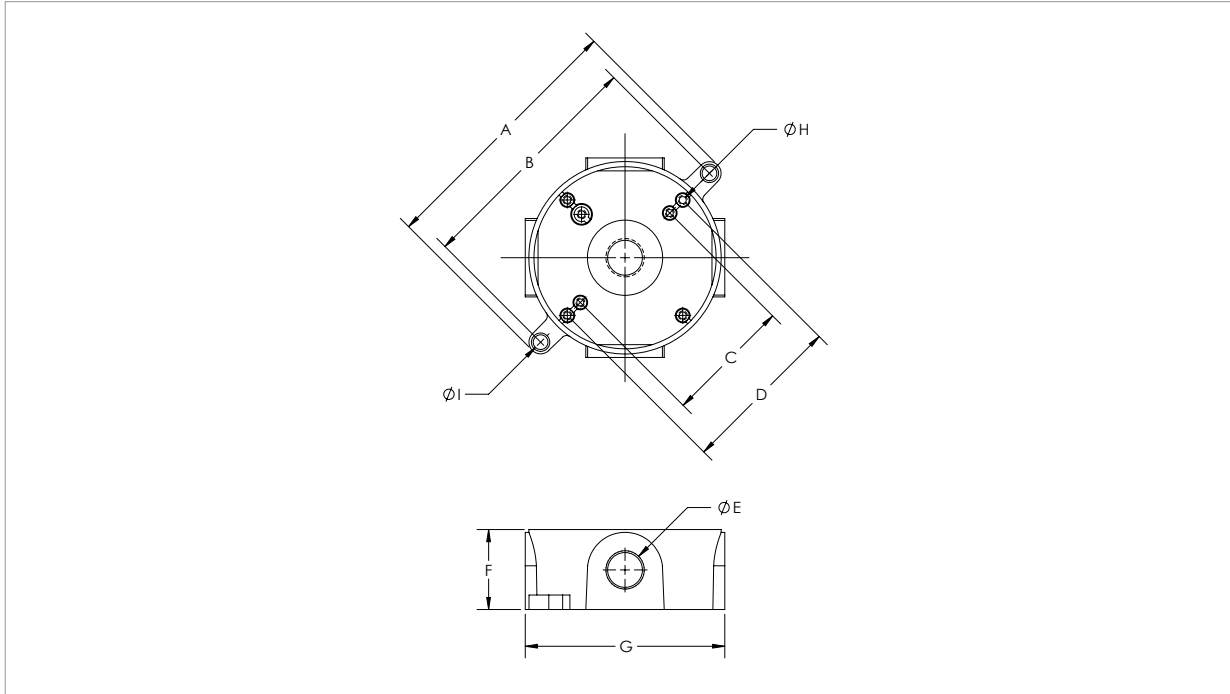


100% made in Canada, our Original Heavy Duty 4" round die cast VXJ box is designed to withstand wet locations, harsh use, and extreme cold environments.





## DIMENSIONS



PRODUCT	A (IN.)	B (IN.)	C (IN.)	D (IN.)	E CONDUIT ENTRY	F (IN.)	G (IN.)	H	I (IN.)
1/2 VXJ	5.63	5.13	2.72	3.5	1/2 NPT	1.72	4.28	10-24	0.31
3/4 VXJ	5.63	5.13	2.72	3.5	3/4 NPT	1.72	4.28	10-24	0.31
1 VXJ	5.63	5.13	2.72	3.5	1 NPT	1.72	4.28	10-24	0.31

## ORDER INFO

STOCK CODE / DESCRIPTION	STOCK CODE / DESCRIPTION
008415 1/2VXJ/C WITH COVER	008422 3/4VXJ/C-WHITE WITH COVER
094439 1/2VXJ/C-BLACK WITH COVER	094440 1VXJ/C WITH COVER
094436 1/2VXJ/C-BRONZE WITH COVER	008398 1VXJ/C-BLACK WITH COVER
008419 1/2VXJ/C-WHITE WITH COVER	008399 1VXJ/C-WHITE WITH COVER
008430 3/4VXJ/C WITH COVER	094437 1/2VXJ/LC NO COVER
094442 3/4VXJ/C-BLACK WITH COVER	008435 3/4VXJ/LC NO COVER
094438 3/4VXJ/C-BRONZE WITH COVER	008429 1VXJ/LC NO COVER



## NOTES



## DVXJ – ALUMINUM BOX

- Cast aluminum box with 5 X 1/2" or 3/4" threaded entries.
- Each unit has two opposing mounting feet, 4 internal posts for mounting covers and 2 additional posts for universal cross bars. All posts 10-24 tapped.
- Product includes the box with 4 threaded plugs installed, a neoprene gasket, a ground screw, a stamped aluminum cover and 2 brass cover screws.
- Sand blasted aluminum finish is standard.

Also available in:



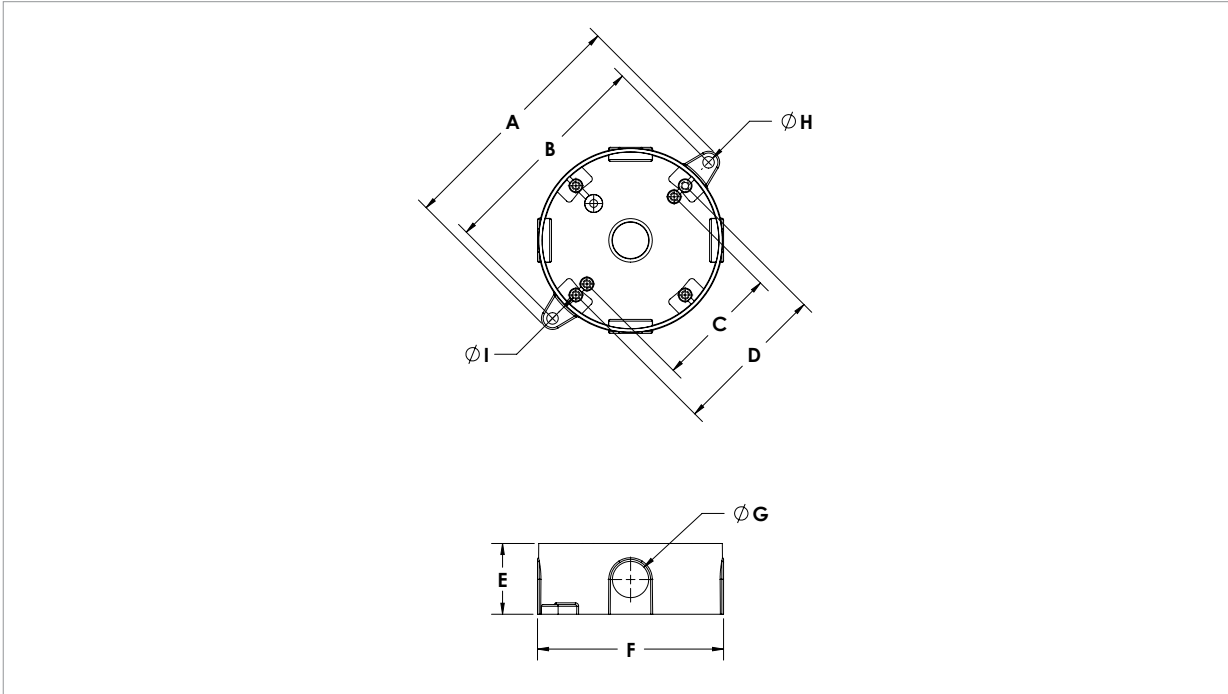
Certification:



Introduced in the early 2000s, RAB Design's 4" standard round DVXJ aluminum box is ideal for a range of indoor/outdoor commercial and industrial applications.



# DIMENSIONS



PRODUCT	A (IN.)	B (IN.)	C (IN.)	D (IN.)	E (IN.)	F (IN.)	G CONDUIT ENTRY	H (IN.)	I SCREW HOLES
1/2 DVXJ	5.5	5	2.795	3.5	1.604	4.213	1/2 NPT	0.26	10-24
3/4 DVXJ	5.5	5	2.795	3.5	1.604	4.213	3/4 NPT	0.26	10-24

# ORDER INFO

STOCK CODE / DESCRIPTION
095770 1/2DVXJ/C - SANDBLASTED ALUM. WITH COVER
095800 1/2DVXJ/C - BLACK WITH COVER
095801 1/2DVXJ/C - BRONZE WITH COVER
095802 1/2DVXJ/C - WHITE WITH COVER
095772 3/4DVXJ/C - SANDBLASTED ALUM. WITH COVER





# ROUND COVERS

RAB Design offers a range of round zinc and aluminum covers. The C100, C103 and XC-2 are 4-inch diameter round zinc covers that can carry greater loads compared to aluminum covers. They are typically used to safely secure heavier fixtures.



C100 COVER



C103 COVER



XC-2 COVER



CR-3 COVER



DC100 COVER



DC103 COVER



DECORATIVE  
PLATE 1 HOLE



DECORATIVE  
PLATE 2 HOLES



XCS BLANK  
STAMPED COVER



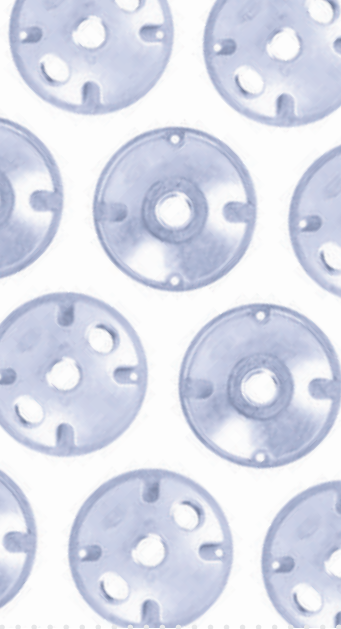
DEX5-VXJ  
EXTENSION BOX



R SERIES  
PLUGS



R10Z HEAVY  
DUTY PLUGS



## NOTES



## C100 COVER

- Die cast zinc cover with one 1/2" opening.
- Package includes cover and a cork gasket.
- Raw zinc finish is standard.

Also available in:

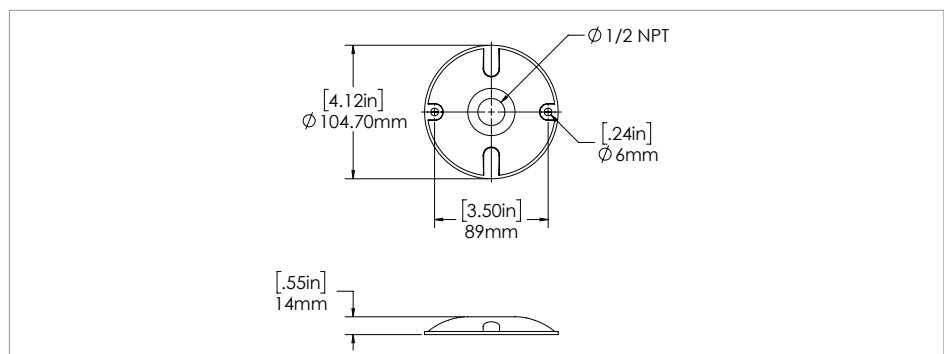


Custom  
Colours

Certification:



## DIMENSIONS



## ORDER INFO

### STOCK CODE / DESCRIPTION

008626 C100 - ZINC COVER - 1 X 1/2" ENTRY

008627 C100 - BLACK COVER - 1 X 1/2" ENTRY

008629 C100 - BRONZE COVER - 1 X 1/2" ENTRY

008630 C100 - WHITE COVER - 1 X 1/2" ENTRY



## C103 COVER

- Die cast zinc cover with three 1/2" openings and one plug installed.
- Package includes cover, cork gasket and a plug.
- Raw zinc finish is standard.

Also available in:

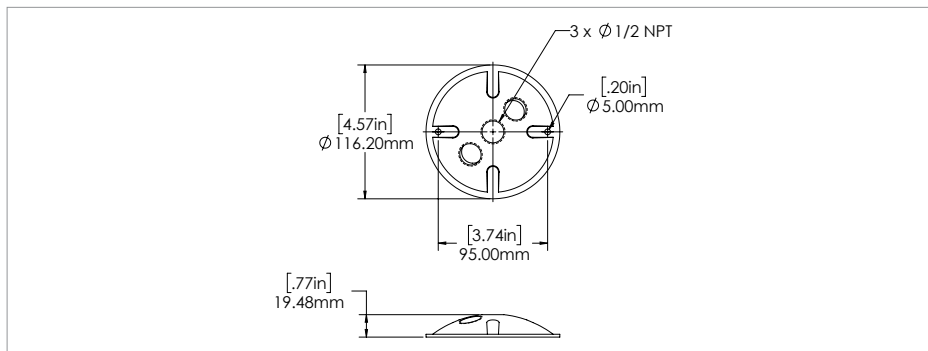


Custom Colours

Certification:



## DIMENSIONS



## ORDER INFO

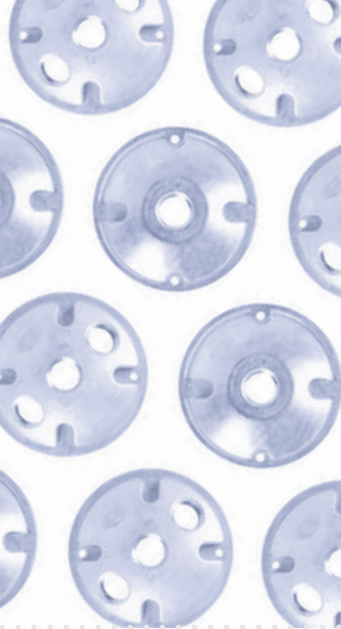
### STOCK CODE / DESCRIPTION

008631 C103 - ZINC COVER - 3 X 1/2" ENTRIES

008632 C103 - BLACK COVER - 3 X 1/2" ENTRIES

008634 C103 - BRONZE COVER - 3 X 1/2" ENTRIES

008635 C103 - WHITE COVER - 3 X 1/2" ENTRIES



## NOTES



## XC-2 COVER

- Die cast zinc cover with one 3/4" opening.
- Package includes cover and a cork gasket.
- Raw zinc finish is standard.

Also available in:

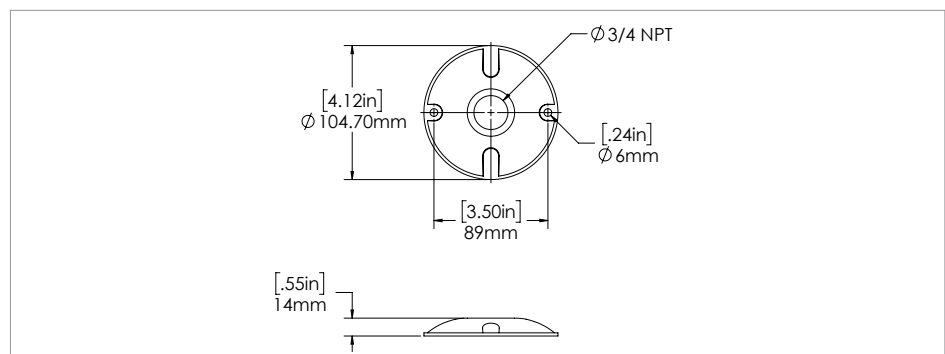


Custom  
Colours

Certification:



## DIMENSIONS



## ORDER INFO

### STOCK CODE / DESCRIPTION

008658 XC-2 - ZINC COVER - 1 X 3/4" ENTRIES

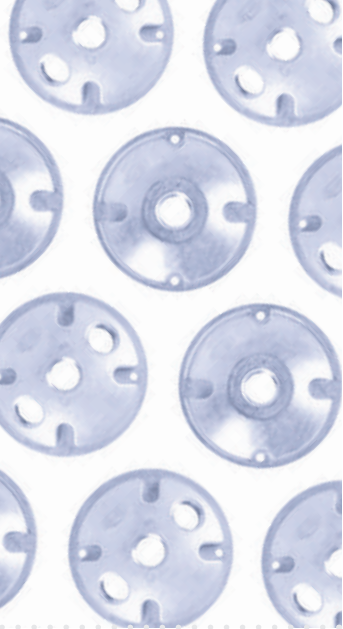
008666 XC-2 - BLACK COVER - 1 X 3/4" ENTRIES

008667 XC-2 - BRONZE COVER - 1 X 3/4" ENTRY

008668 XC-2 - WHITE COVER - 1 X 3/4" ENTRY







## NOTES



## DC100 COVER

- Die cast aluminum cover with one 1/2" opening.
- Package includes cover, neoprene gasket and two brass screws.
- Silver grey finish is standard.

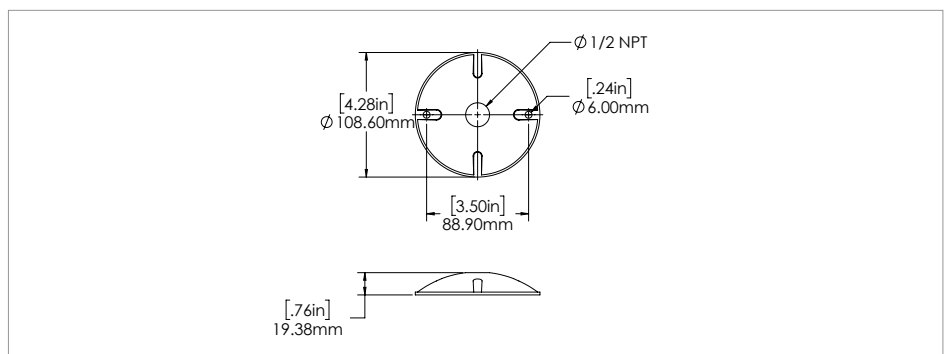
Also available in:



Certification:



## DIMENSIONS



## ORDER INFO

### STOCK CODE / DESCRIPTION

095776 DC100 - GREY COVER - 1 X 1/2" ENTRY

095794 DC100 - BLACK COVER - 1 X 1/2" ENTRY

095795 DC100 - BRONZE COVER - 1 X 1/2" ENTRY

095796 DC100 - WHITE COVER - 1 X 1/2" ENTRY



## DC103 COVER

- Die cast aluminum cover with three 1/2" openings.
- Package includes cover, a neoprene gasket, one installed plug and two brass screws.
- Silver grey finish is standard.

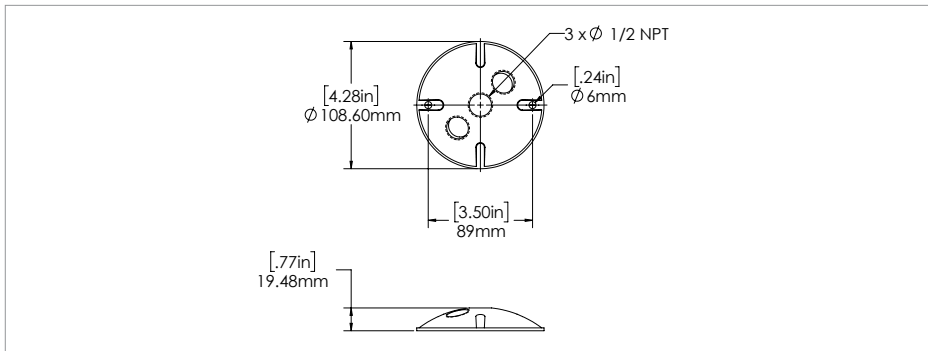
Also available in:



Certification:



## DIMENSIONS



## ORDER INFO

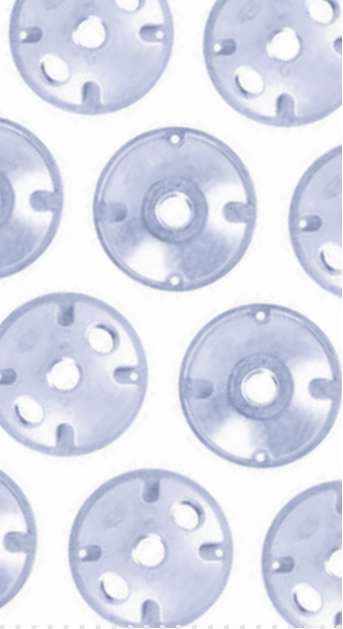
### STOCK CODE / DESCRIPTION

095777 DC103 - GREY COVER - 3 X 1/2" ENTRIES

095797 DC103 - BLACK COVER - 3 X 1/2" ENTRIES

095798 DC103 - BRONZE COVER - 3 X 1/2" ENTRIES

095799 DC103 - WHITE COVER - 3 X 1/2" ENTRIES



## NOTES



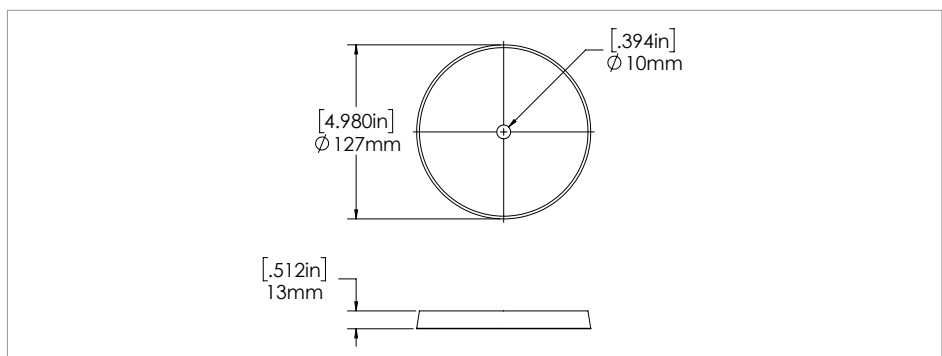
## DECORATIVE COVER 1 HOLE

- 5" blank aluminum cover with one hole.
- Package includes cover, one threaded rod, one cap nut and one cross bar.
- White paint finish.

Certification:



## DIMENSIONS



## ORDER INFO

### STOCK CODE / DESCRIPTION

029442 - DEC - WHITE DECORATIVE PLATE - 1X 10MM SCREW HOLE



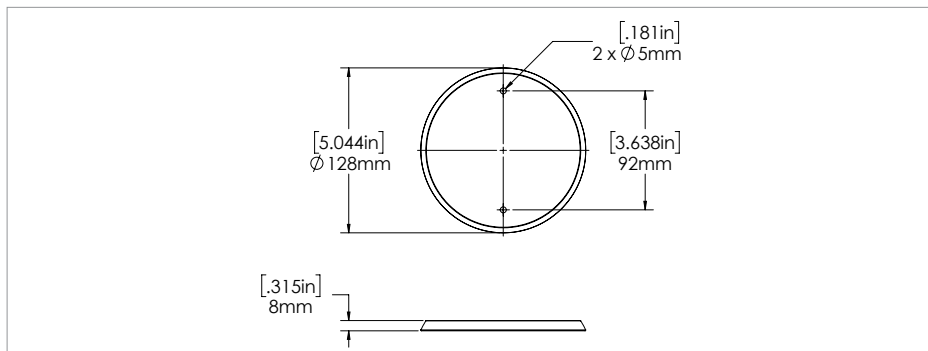
## DECORATIVE COVER 2 HOLES

- 5" blank aluminum cover with two holes.
- Package includes cover and screws.
- White paint finish.

Certification:



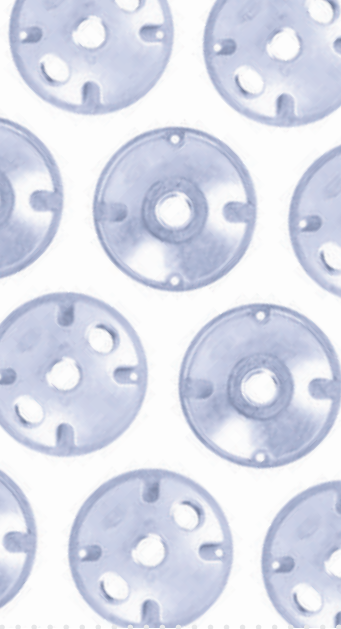
### DIMENSIONS



### ORDER INFO

#### STOCK CODE / DESCRIPTION

044698 - DEC - WHITE DECORATIVE PLATE - 2 X 5MM SCREW HOLES



## NOTES



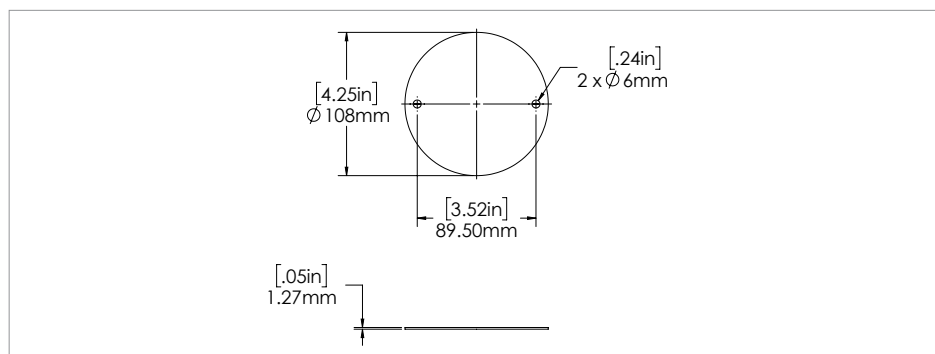
## XCS BLANK STAMPED COVER

- Stamped Aluminum Cover.
- Package includes cover and a gasket.
- Two 6mm diameter holes (screws not included).

Certification:



## DIMENSIONS



## ORDER INFO

### STOCK CODE / DESCRIPTION

008659 XCS - BLANK STAMPED COVER - 2 X 6MM HOLES



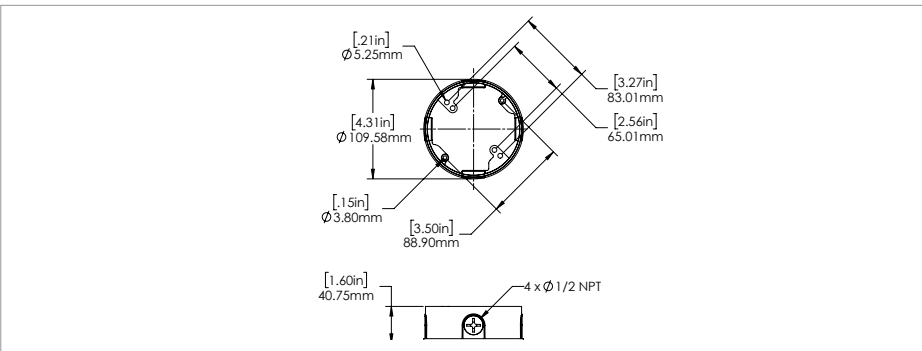
## DEX-5 VXJ EXTENSION RING

- Die cast aluminum extension ring with four 1/2" conduit entries.
- Package includes extension ring and 4 plugs.
- Natural aluminum finish.

Certification:



## DIMENSIONS



## ORDER INFO

### STOCK CODE / DESCRIPTION

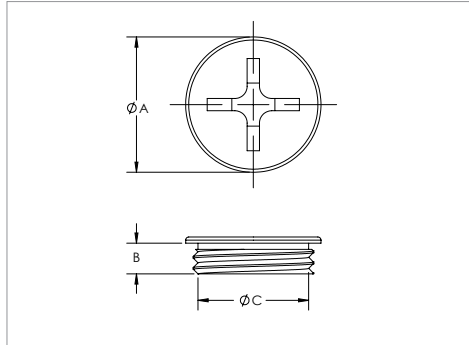
095793 DEX-5VXJ - EXTENSION RING - 4 X 1/2" ENTRIES

# PLUGS

## R SERIES



- Made from corrosion resistant high-grade zinc.
- Available in 1/2", 3/4" or 1" sizes to fit different openings.



PRODUCT	A (IN.)	B (IN.)	C (IN.)	D (IN.)
R10FL	0.83	0.30	1/2 NPT	0.48
R11FL	1.00	0.30	3/4 NPT	0.48
R12FL	1.30	0.30	1 NPT	0.48

NOTES

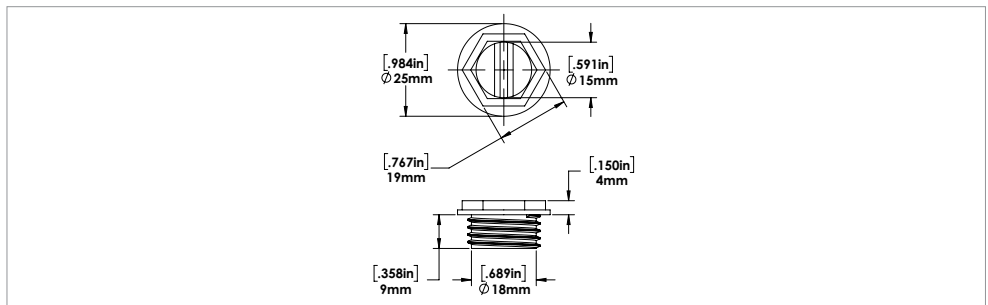
## ORDER INFO

STOCK CODE / DESCRIPTION	STOCK CODE / DESCRIPTION
094397 R10FL-1/2" - ZINC PLUG	094399 R11FL-3/4" - ZINC PLUG
094400 R12FL-1" - ZINC PLUG	

## R10Z HEAVY DUTY



- Made from weather and corrosion resistant high strength zinc.
- Three full threads with deep slot and shoulder lip.
- Available in packs of 50.



## ORDER INFO

STOCK CODE / DESCRIPTION
094398 R10Z- 3 FULL THREADS - ZINC PLUG





## ROUND COVERS





# RECTANGULAR BOXES

RAB Design offers a selection of outdoor rated, commercial grade rectangular boxes and accessories for all your wiring needs. Our selection includes 1 gang, 2 gang and 3 gang boxes.



5613



D5613/D5633



D5614/D5634



D5615/D5635



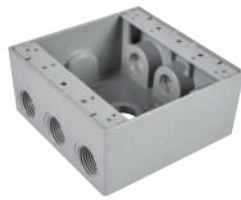
D5616



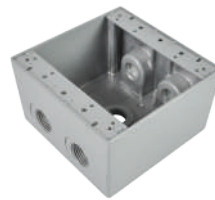
DDB23P/DDB33P



D5313/D5333



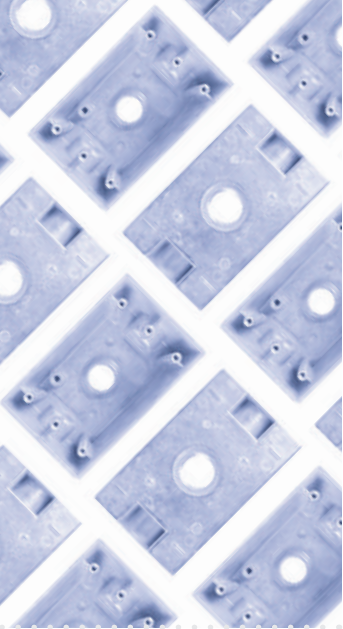
D5317/D5337



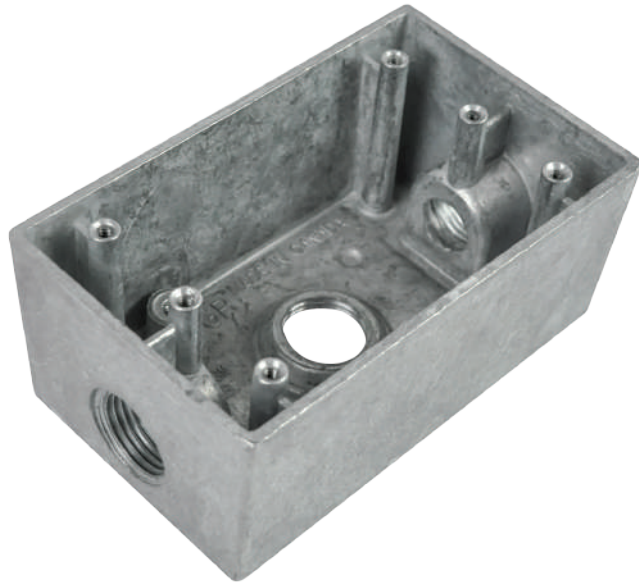
DDB252P



DDB273/  
DDB373



## NOTES



## 5613

- 1 Gang die cast zinc box with three 1/2" conduit entries.
- Package includes box, one ground screw and two plugs.
- Raw zinc finish is standard.

Also available in:



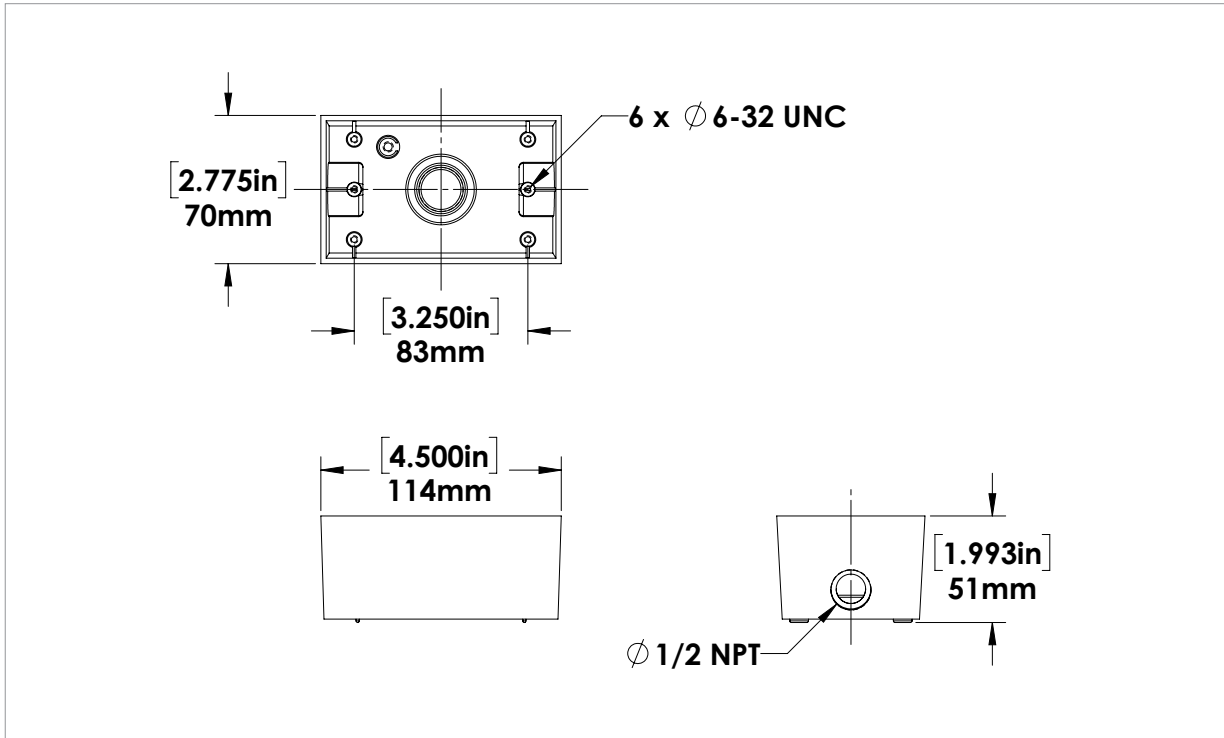
Custom  
Colours

Certification:



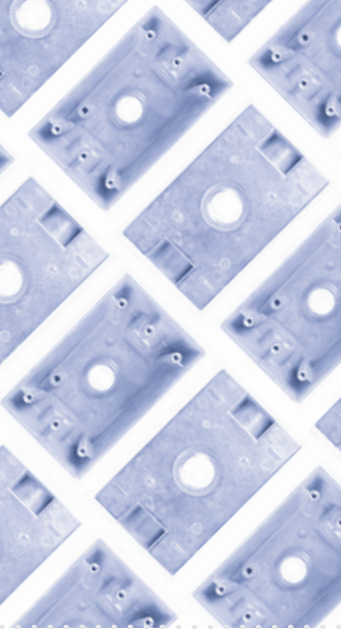


## DIMENSIONS

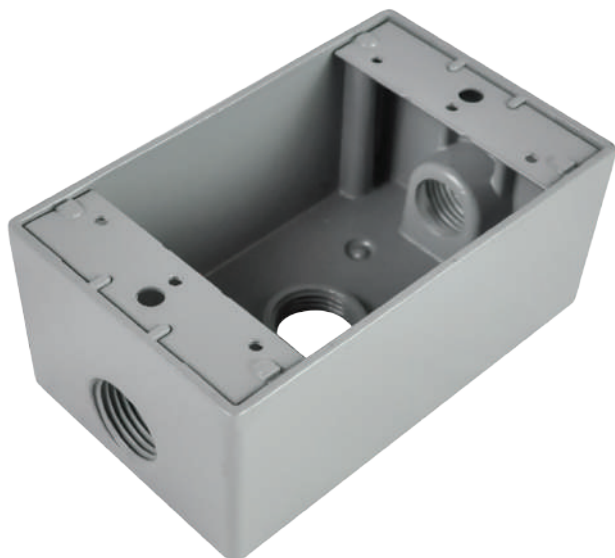


## ORDER INFO

STOCK CODE / DESCRIPTION
008446 5613 - ZINC BOX - 3 X 1/2" ENTRIES - 1 GANG
093909 5613 - BRONZE BOX - 3 X 1/2" ENTRIES - 1 GANG
093910 5613 - WHITE BOX - 3 X 1/2" ENTRIES - 1 GANG
093914 5613 - BLACK BOX - 3 X 1/2" ENTRIES - 1 GANG



## NOTES



## D5613/D5633

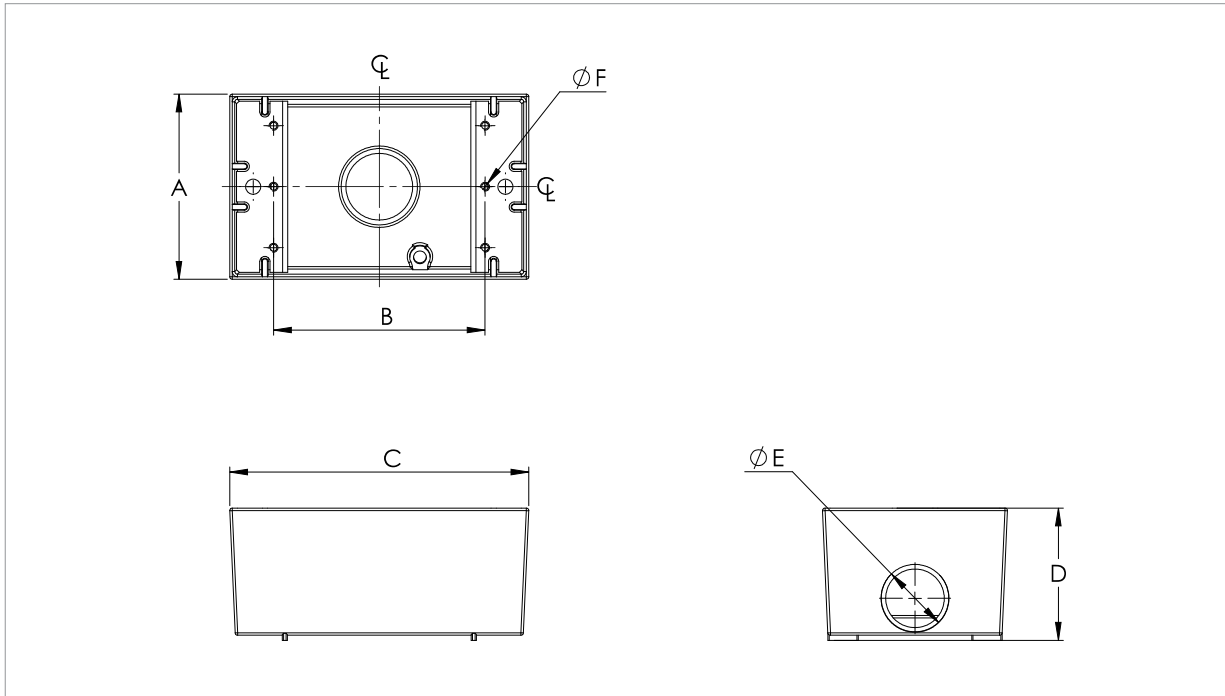
- 1 Gang die cast aluminum box with three 1/2" or 3/4" threaded entries.
- Stamped galvanized steel tabs for ease of mounting.
- Package includes box, 2 plugs, 2 galvanized steel mounting tabs, 2 screws and a ground screw.
- Durable silver grey powder coat paint finish.

Certification:





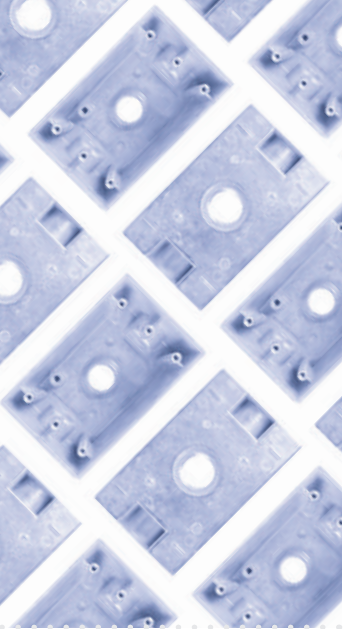
## DIMENSIONS



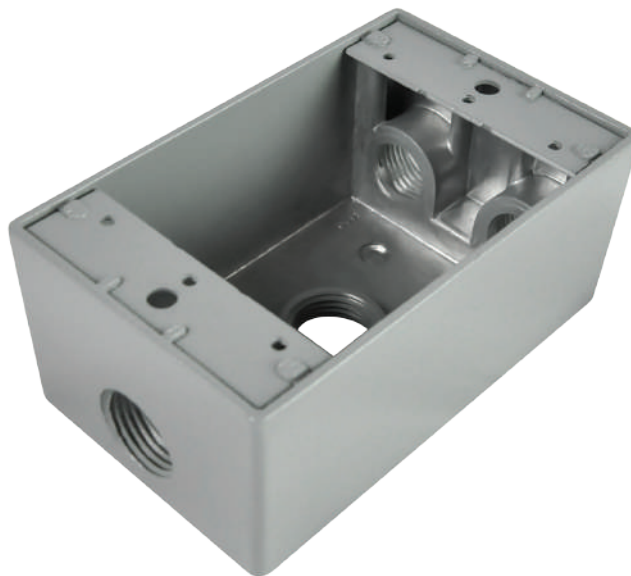
PRODUCT	A	B	C	D	E CONDUIT ENTRY	F SCREW HOLES
D5613	2.83	3.28	4.60	2.09	3x1/2 NPT	6x6-32
D5633	2.83	3.28	4.60	2.09	3x3/4 NPT	6x6-32

## ORDER INFO

STOCK CODE / DESCRIPTION
095778 D5613 - GREY BOX - 3 X 1/2" ENTRIES - 1 GANG
095781 D5633 - GREY BOX - 3 X 3/4" ENTRIES - 1 GANG



## NOTES



## D5614/D5634

- 1 Gang die cast aluminum box with four 1/2" or 3/4" threaded entries.
- Stamped galvanized steel tabs for ease of mounting.
- Package includes box, 2 plugs, 2 galvanized steel mounting tabs, 2 screws and a ground screw.
- Durable silver grey powder coat paint finish.

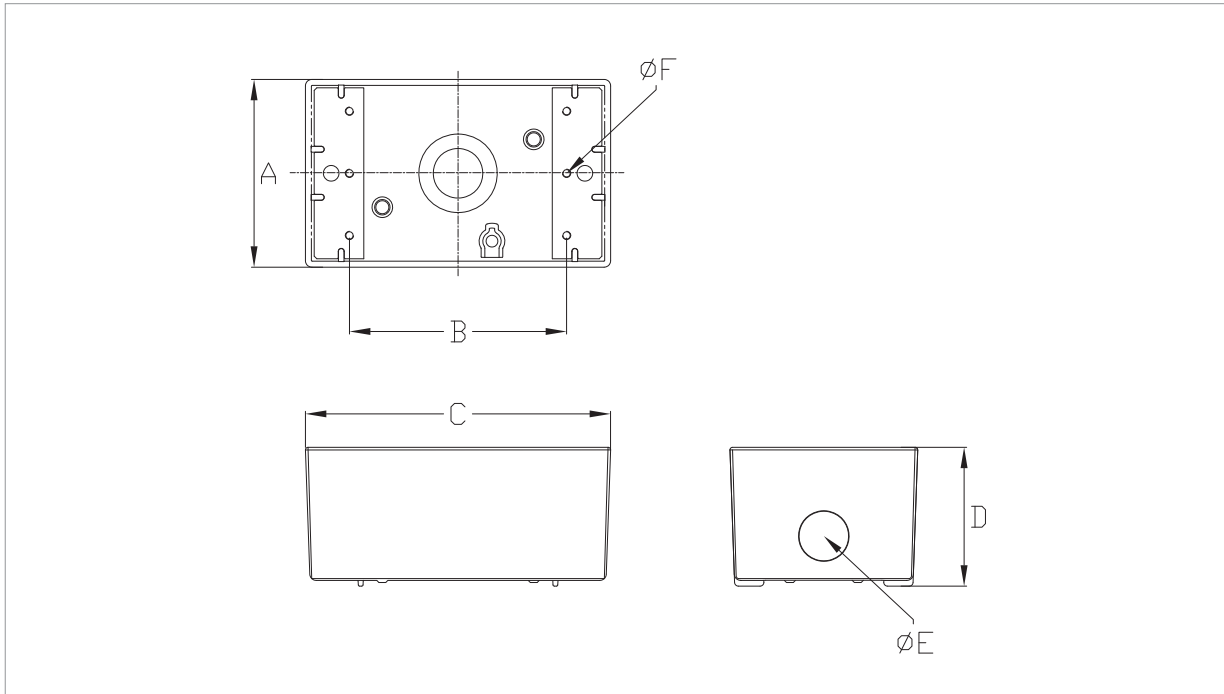
Certification:







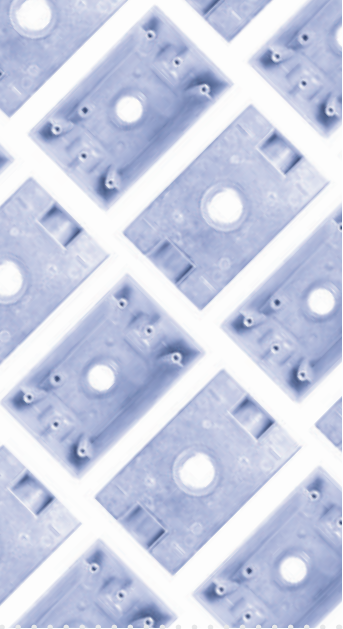
## DIMENSIONS



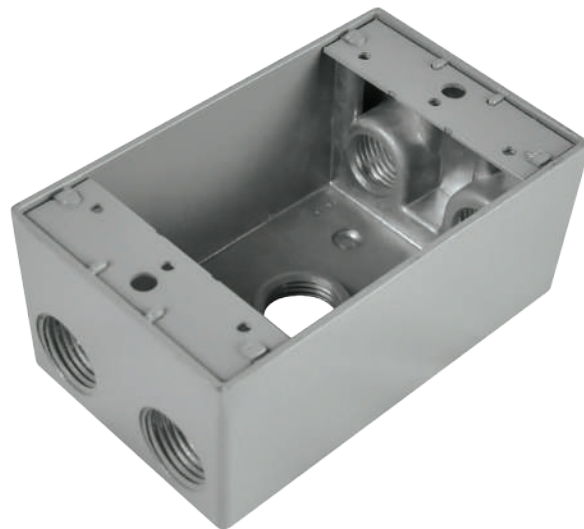
PRODUCT	A	B	C	D	E CONDUIT ENTRY	F SCREW HOLES
D5614	2.83	3.28	4.60	2.09	4x1/2 NPT	6x6-32
D5634	2.83	3.28	4.60	2.09	4x3/4 NPT	6x6-32

## ORDER INFO

STOCK CODE / DESCRIPTION
095779 D5614 - GREY BOX - 4 X 1/2" ENTRIES - 1 GANG
095782 D5634 - GREY BOX - 4 X 3/4" ENTRIES - 1 GANG



## NOTES



## D5615/D5635

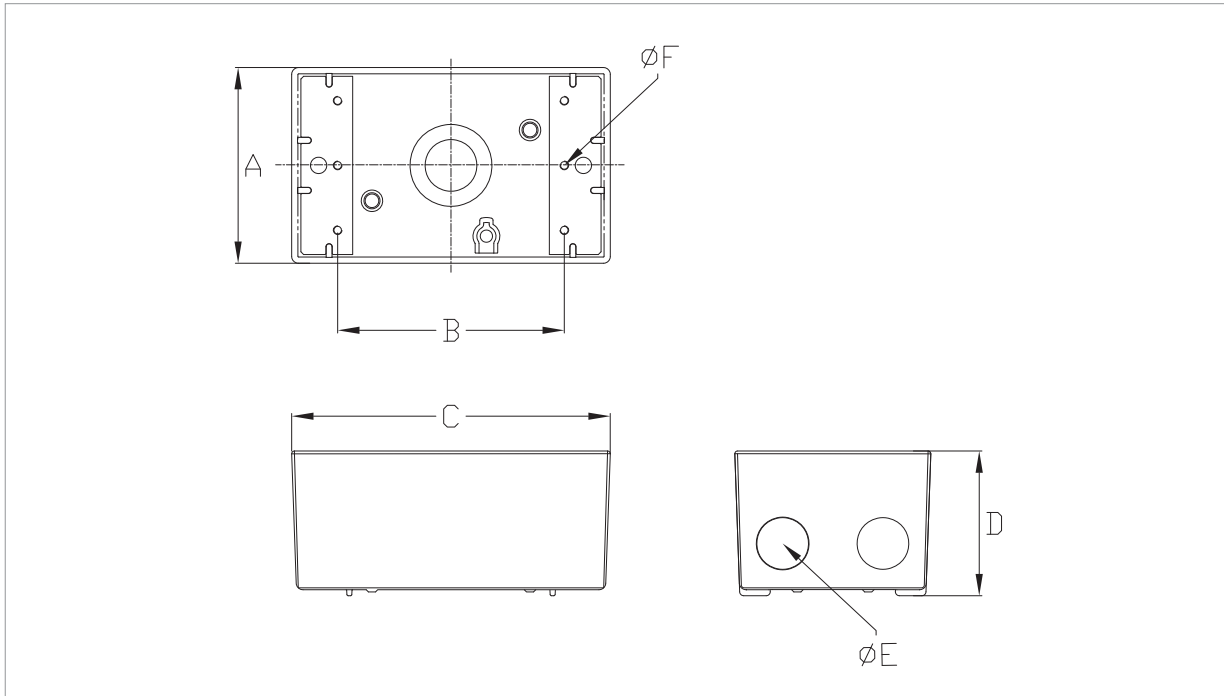
- 1 Gang die cast aluminum box with five 1/2" or 3/4" threaded entries.
- Stamped galvanneal steel tabs for ease of mounting.
- Package includes box, 2 plugs, 2 galvanneal steel mounting tabs, 2 screws and a ground screw.
- Durable silver grey powder coat paint finish.

Certification:





## DIMENSIONS



PRODUCT	A	B	C	D	E CONDUIT ENTRY	F SCREW HOLES
D5615	2.83	3.28	4.60	2.09	5x1/2 NPT	6x6-32
D5635	2.83	3.28	4.60	2.09	5x3/4 NPT	6x6-32

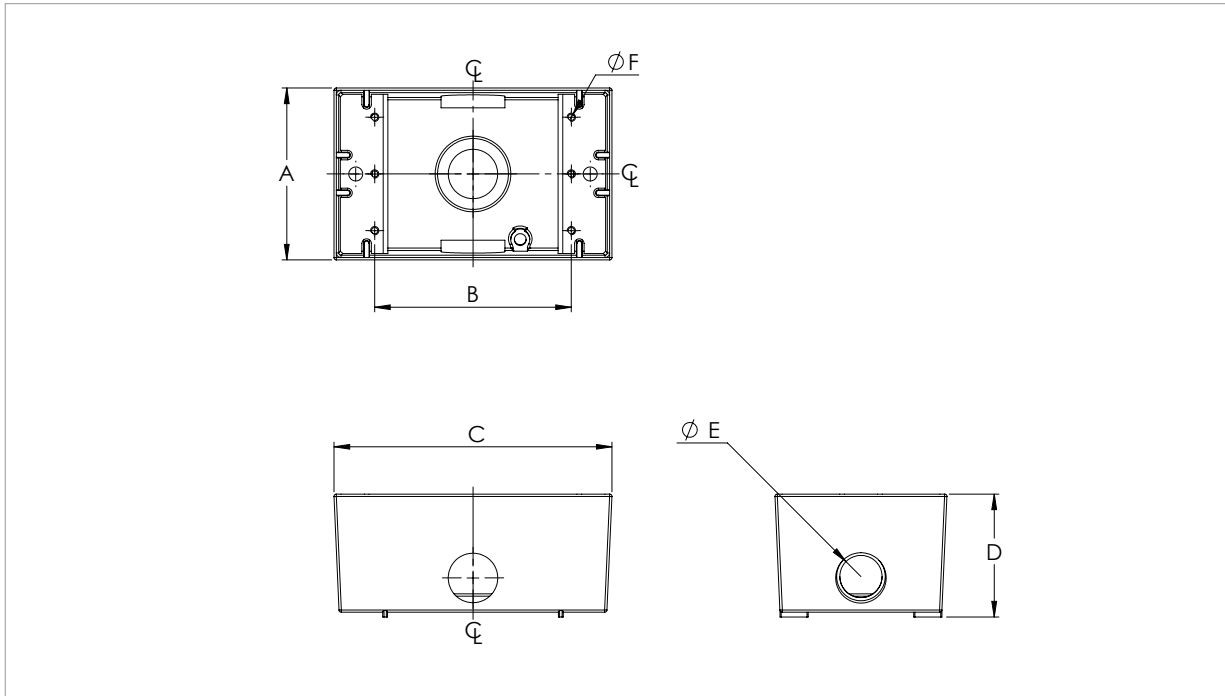
## ORDER INFO

STOCK CODE / DESCRIPTION
095780 D5615 - GREY BOX - 5 X 1/2" ENTRIES - 1 GANG
095783 D5635 - GREY BOX - 5 X 3/4" ENTRIES - 1 GANG





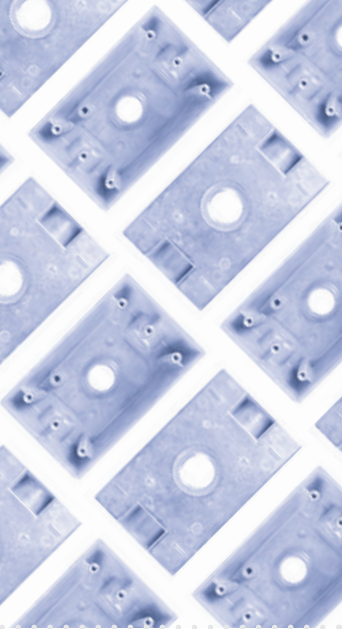
# DIMENSIONS



PRODUCT	A	B	C	D	E CONDUIT ENTRY	F SCREW HOLES
D5616	2.83	3.28	4.60	2.09	5x1/2 NPT	6x6-32

# ORDER INFO

STOCK CODE / DESCRIPTION
008450 D5616 - GREY BOX - 5 X 1/2" ENTRIES - 1 GANG



## NOTES



## DDB23P/DDB33P

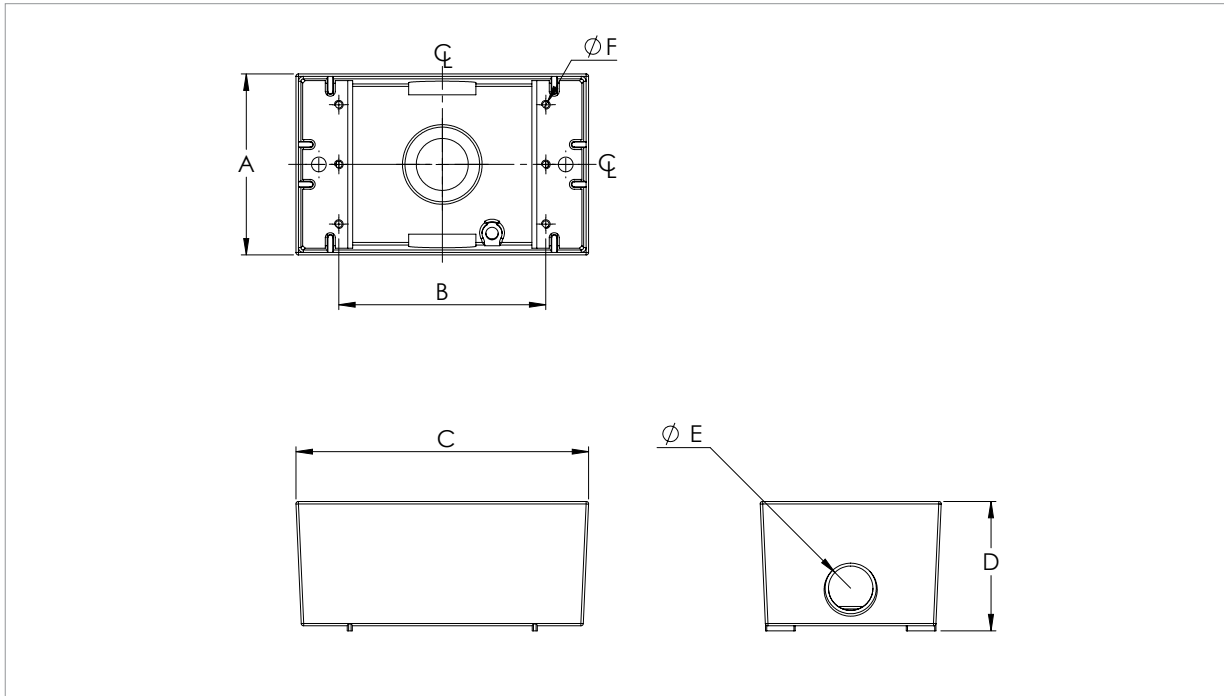
- 1 Gang die cast aluminum deep box with three X 1/2" or 3/4" threaded entries.
- Stamped galvanized steel tabs for ease of mounting.
- Package includes box, 2 plugs, 2 galvanized steel mounting tabs, 2 screws and a ground screw.
- Durable silver grey powder coat paint finish.

Certification:





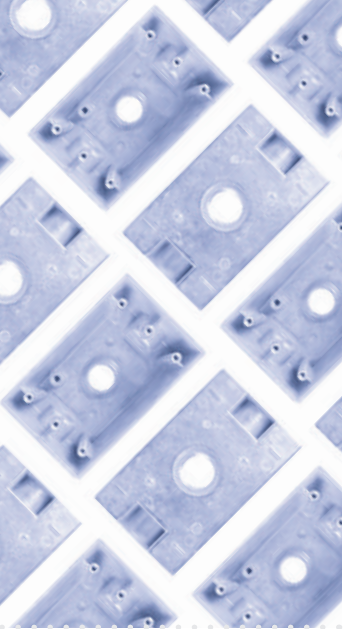
## DIMENSIONS



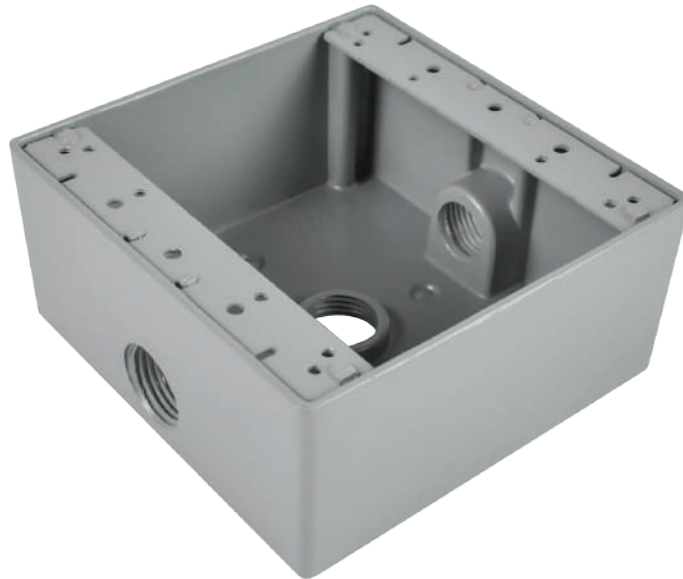
PRODUCT	A	B	C	D	E CONDUIT ENTRY	F SCREW HOLES
DDB23P	2.83	3.28	4.60	2.71	3x1/2 NPT	6x6-32
DDB33P	2.83	3.28	4.60	2.71	3x3/4 NPT	6x6-32

## ORDER INFO

STOCK CODE / DESCRIPTION
095784 DDB23P - GREY BOX - 3 X 1/2" ENTRIES - 1 GANG
095785 DDB33P - GREY BOX - 3 X 1/2" ENTRIES - 1 GANG



## NOTES



## D5313/D5333

- 2 Gang die cast aluminum box with three 1/2" or 3/4" threaded entries.
- Stamped galvanized steel tabs for ease of mounting.
- Package includes box, 2 plugs, 2 galvanized steel mounting tabs, 2 screws and a ground screw.
- Durable silver grey powder coat paint finish.

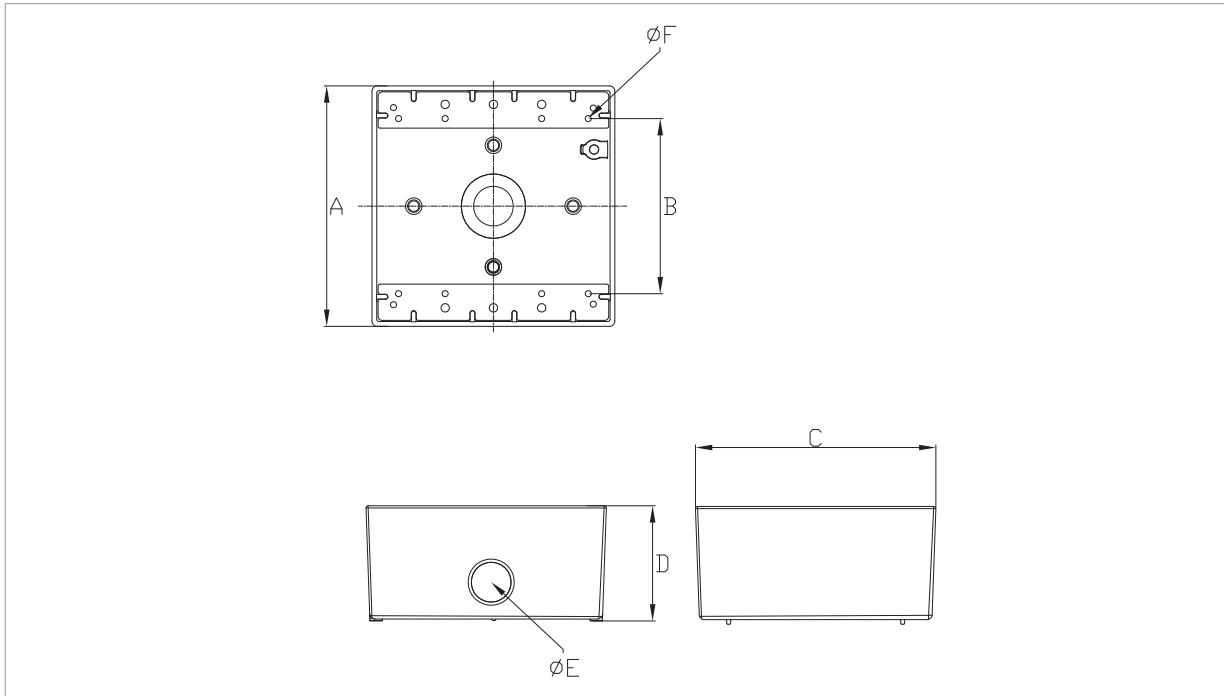
Certification:







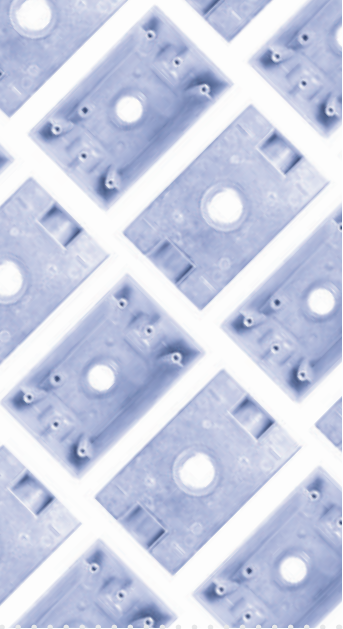
## DIMENSIONS



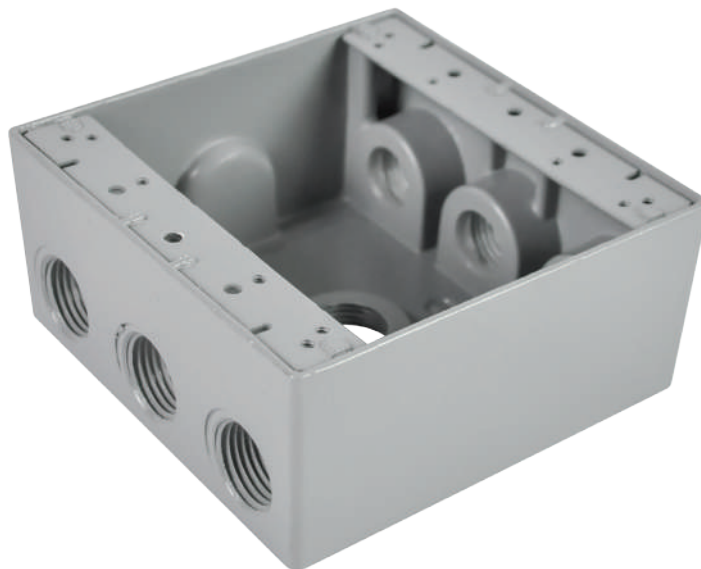
PRODUCT	A	B	C	D	E CONDUIT ENTRY	F SCREW HOLES
D5313	4.52	3.29	4.52	2.21	3x1/2 NPT	12x6-32
D5333	4.52	3.29	4.52	2.21	3x3/4 NPT	12x6-32

## ORDER INFO

STOCK CODE / DESCRIPTION
095786 D5313 - GREY BOX - 3 X 1/2" ENTRIES - 2 GANG
095789 D5333 - GREY BOX - 3 X 3/4" ENTRIES - 2 GANG



## NOTES



## D5317/D5337

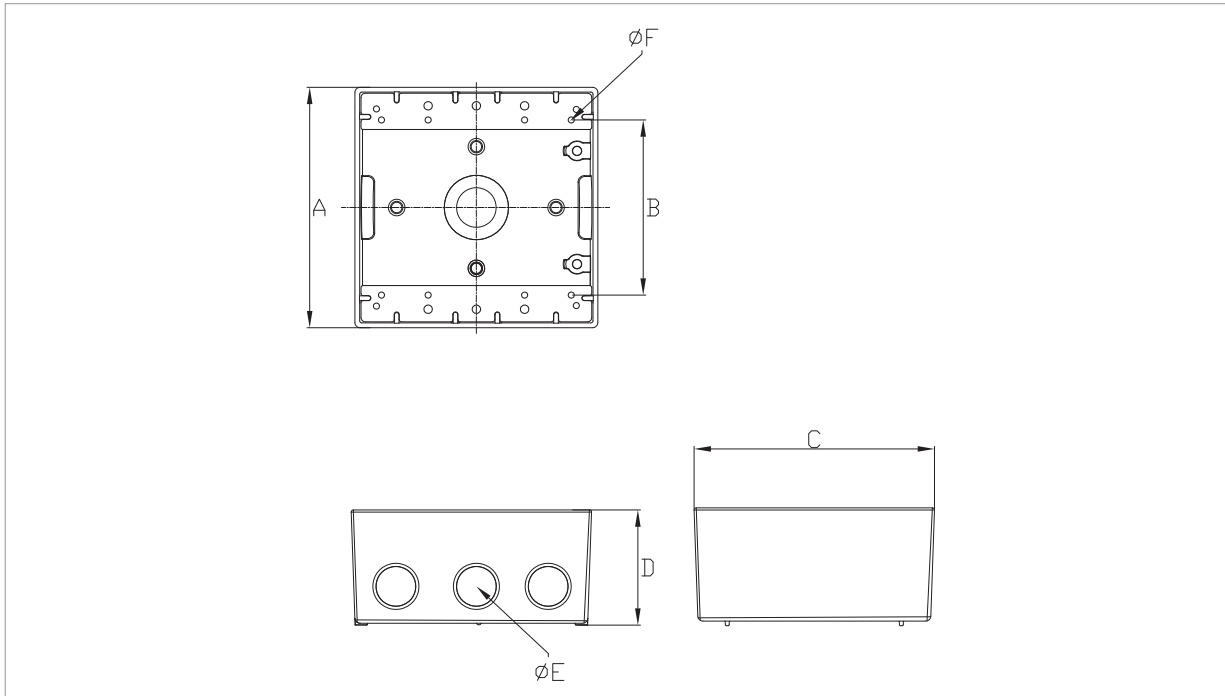
- 2 Gang die cast aluminum box with seven 1/2" or 3/4" threaded entries.
- Stamped galvanized steel tabs for ease of mounting.
- Package includes box, 2 plugs, 2 galvanized steel mounting tabs, 2 screws and a ground screw.
- Durable silver grey powder coat paint finish.

Certification:





## DIMENSIONS



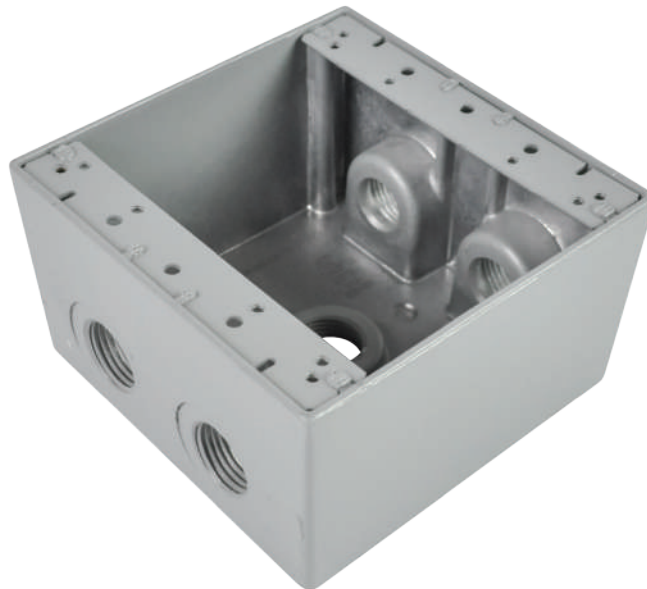
PRODUCT	A	B	C	D	E CONDUIT ENTRY	F SCREW HOLES
D5317	4.52	3.29	4.52	2.21	7x1/2 NPT	12x6-32
D5337	4.52	3.29	4.52	2.21	7x3/4 NPT	12x6-32

## ORDER INFO

STOCK CODE / DESCRIPTION
095787 D5317 - GREY BOX - 7 X 1/2" ENTRIES - 2 GANG
095790 D5337 - GREY BOX - 7 X 3/4" ENTRIES - 2 GANG



## NOTES



## DDB252P

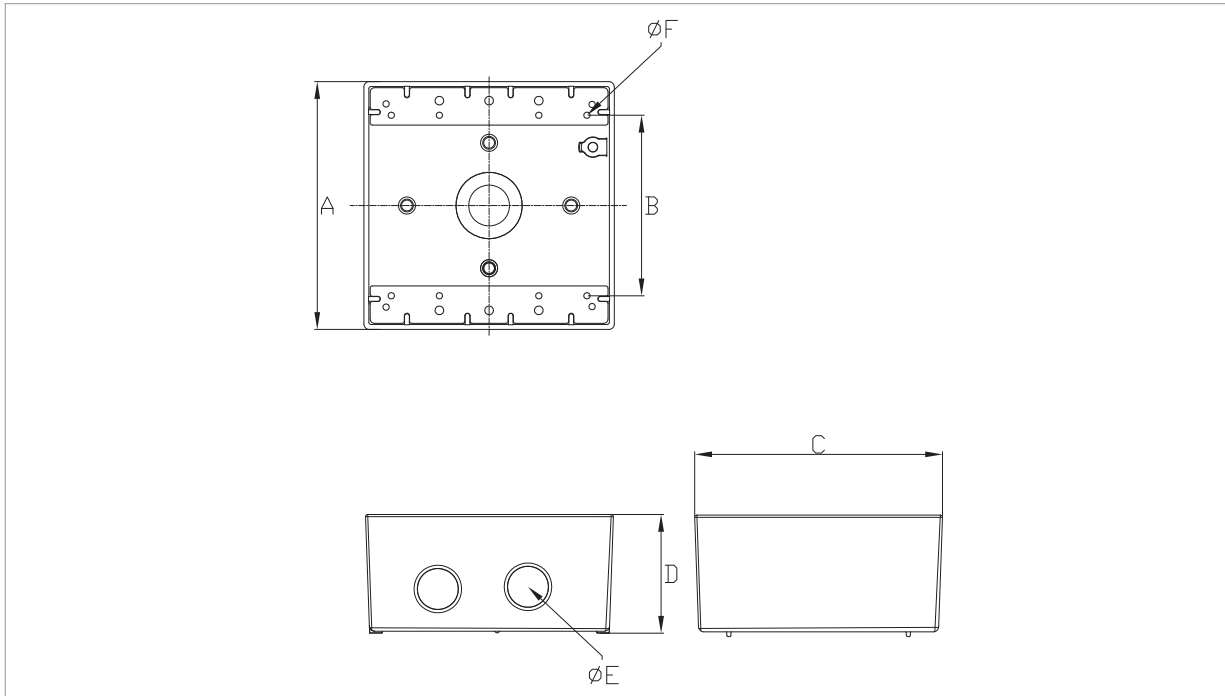
- 2 Gang die cast aluminum deep box with five 1/2" threaded entries.
- Package includes box, 2 plugs, 2 galvanized steel mounting tabs, 2 screws and a ground screw.
- Durable silver grey powder coat paint finish.

Certification:





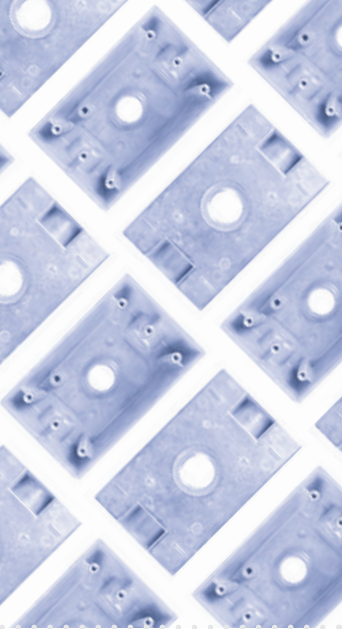
## DIMENSIONS



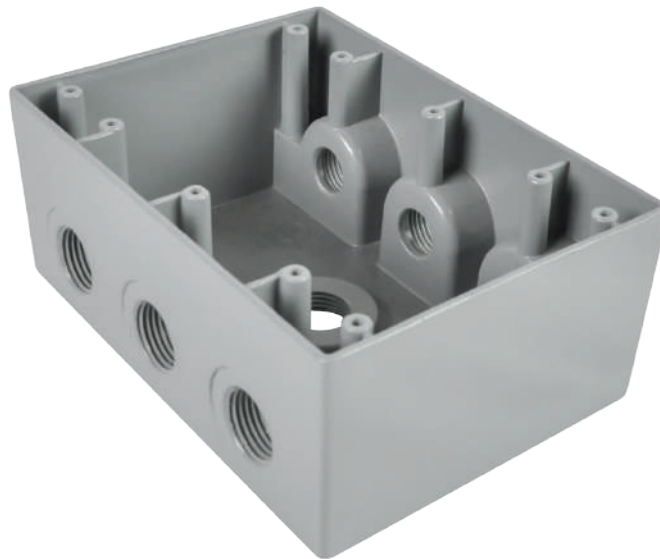
PRODUCT	A	B	C	D	E CONDUIT ENTRY	F SCREW HOLES
DDB252P	4.52	3.29	4.56	2.71	5x1/2 NPT	12x6-32

## ORDER INFO

STOCK CODE / DESCRIPTION
095788 DDB252P - GREY DEEP BOX - 5 X 1/2" ENTRIES - 2 GANG



## NOTES



## DDB273/DDB373

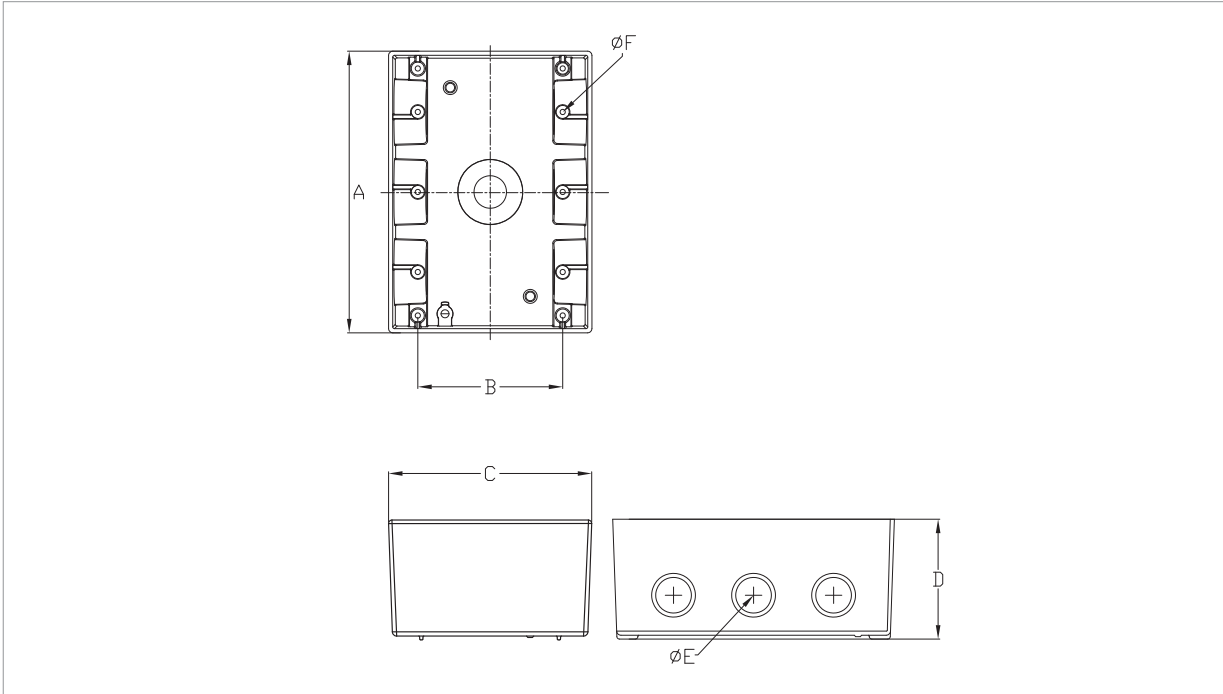
- 3 Gang die cast aluminum box with seven 1/2" or 3/4" threaded entries.
- Package includes box, 2 plugs, 2 galvanized steel mounting tabs, 2 screws and a ground screw.
- Durable silver grey powder coat paint finish.

Certification:





## DIMENSIONS



PRODUCT	A	B	C	D	E CONDUIT ENTRY	F SCREW HOLES
DDB273	4.60	3.28	6.37	2.71	7x1/2 NPT	10x6-32
DDB373	4.60	3.28	6.37	2.71	7x3/4 NPT	10x6-32

## ORDER INFO

STOCK CODE / DESCRIPTION
008462 DDB273 - GREY BOX - 7 X 1/2" ENTRIES - 3 GANG
008463 DDB373 - GREY BOX - 7 X 3/4" ENTRIES - 3 GANG







# RECTANGULAR COVERS

To complement our range of electrical boxes, RAB Design offers a variety of rectangular cover plates, extension rings and accessories in different sizes and finishes. These include both heavy duty weatherproof and decorative options for 1, 2 and 3 gang electrical boxes.



FS-C  
COVER PLATE



FS-2C  
COVER PLATE



FS-3C  
COVER PLATE



C01 COVER



GFI-H COVER



GFI-V COVER



DXR EXTENSION



R14-3  
COVER PLATE



## NOTES

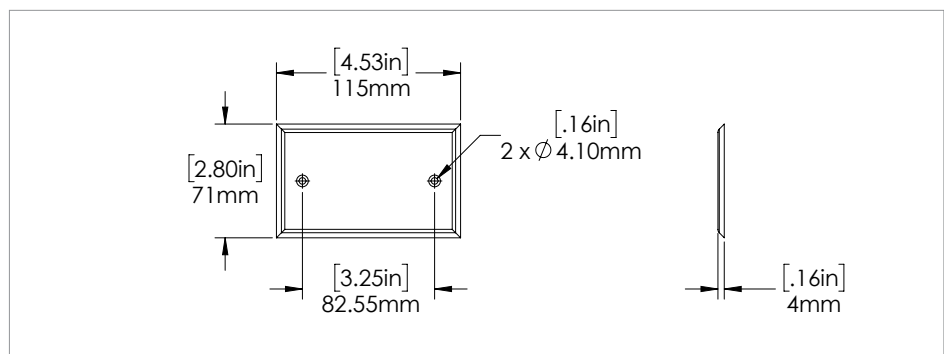
## FS-C COVER PLATE

- Stamped aluminum cover for 1 gang rectangular boxes.
- Product includes gasket and mounting screws.
- Natural aluminum finish.

Certification:



## DIMENSIONS



## ORDER INFO

### STOCK CODE / DESCRIPTION

008637 FS-C - ALUM. COVER - 2 SCREW HOLES - 1 GANG



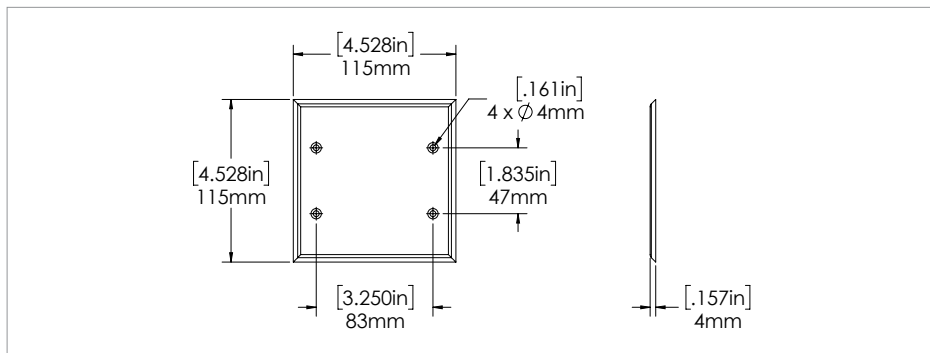
## FS-2C COVER PLATE

- Stamped aluminum cover for 2 gang rectangular boxes.
- Product includes gasket and mounting screws.
- Natural aluminum finish.

Certification:



### DIMENSIONS



### ORDER INFO

#### STOCK CODE / DESCRIPTION

008636 FS-2C - ALUM. COVER - 4 SCREW HOLES - 2 GANG



## NOTES



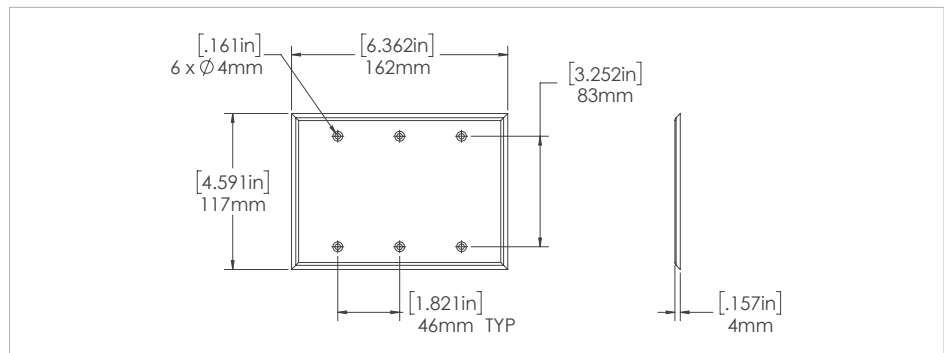
## FS-3C COVER PLATE

- Stamped aluminum cover for 3 gang rectangular boxes.
- Product includes gasket and mounting screws.
- Durable silver grey powder coat paint finish.

Certification:



## DIMENSIONS



## ORDER INFO

### STOCK CODE / DESCRIPTION

008654 FS-3C - GREY COVER - 6 SCREW HOLES - 3 GANG



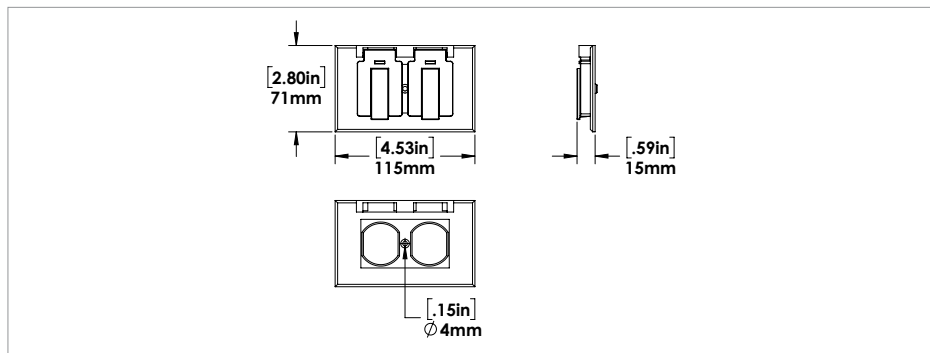
## CO1 COVER

- Die cast aluminum 1 gang outlet cover plate.
- Cover has spring loaded lids and comes with weather seal gasket and screw.
- Durable silver grey powder coat paint finish.

Certification:



## DIMENSIONS



## ORDER INFO

### STOCK CODE / DESCRIPTION

008664 CO1 - GREY COVER & LIDS - 2 OUTLET - 1 GANG



## NOTES



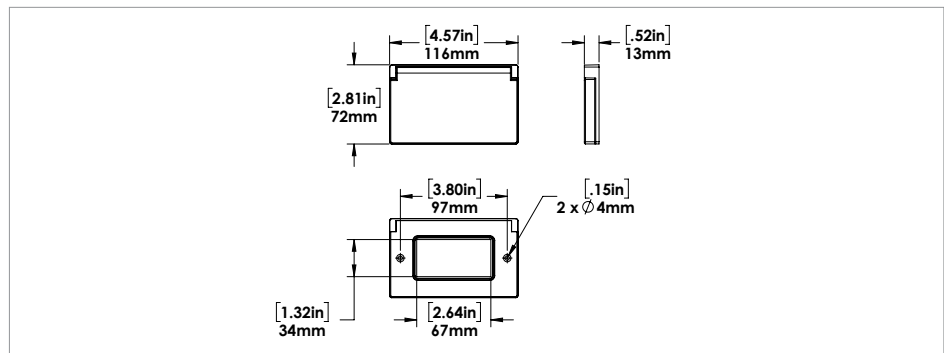
## GFI-H COVER

- Die cast aluminum 1 Gang GFI horizontal cover.
- Cover has a spring loaded lid and comes with weather seal gasket and screws.
- Durable silver grey powder coat paint finish.

Certification:



## DIMENSIONS



## ORDER INFO

### STOCK CODE / DESCRIPTION

008662 GFI-H - GREY HORIZONTAL COVER & LID - 1 GANG



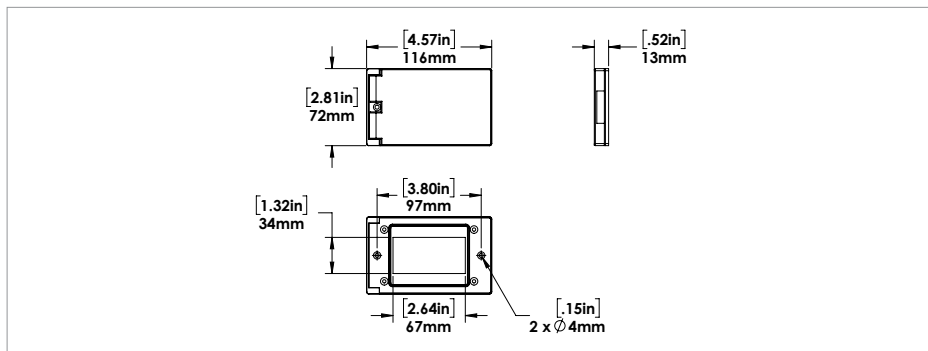
## GFI-V COVER

- Die cast aluminum 1 Gang GFI vertical cover.
- Cover has a spring loaded lid and comes with weather seal gasket and screws.
- Durable silver grey powder coat paint finish.

Certification:



## DIMENSIONS



## ORDER INFO

### STOCK CODE / DESCRIPTION

008663 GFI-V - GREY VERTICAL COVER & LID - 1 GANG



## NOTES

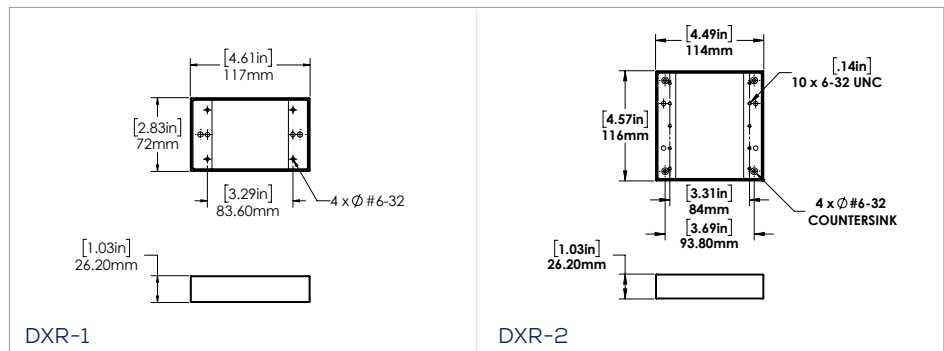
## DXR EXTENSION BOX

- 1" deep cast aluminum extension box for 1 gang or 2 gang rectangular boxes.
- Product includes extension box, gasket and mounting screws.
- Durable silver grey powder coat paint finish.

Certification:



## DIMENSIONS



## ORDER INFO

### STOCK CODE / DESCRIPTION

095791 DXR-1 - GREY EXTENSION BOX - 1 GANG

095792 DXR-2 - GREY EXTENSION BOX - 2 GANG





## R14-3 COVER PLATE

- Die cast aluminum cover plate for 1 Gang box.
- Cover plate has 3 X 1/2" entries.
- Product includes cover, gasket, screws and one plug.
- Durable silver grey powder coat paint finish is standard.

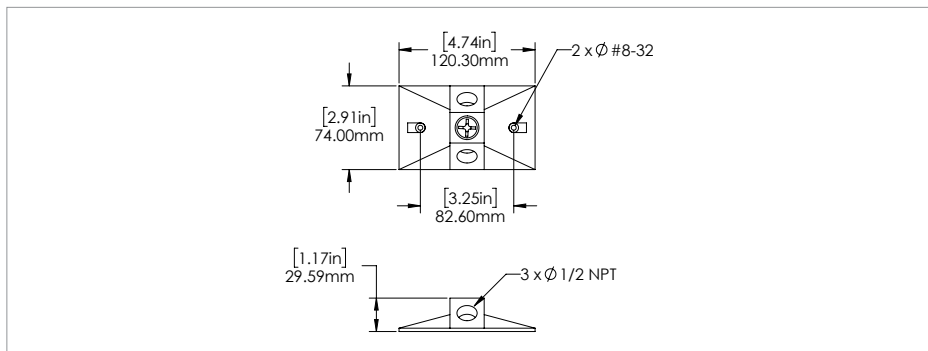
Also available in:



Certification:



## DIMENSIONS



## ORDER INFO

### STOCK CODE / DESCRIPTION

094654 R14-3 - GREY COVER - 3 X 1/2" ENTRIES - 1 GANG

008645 R14-3 - BLACK COVER - 3 X 1/2" ENTRIES - 1 GANG

008644 R14-3 - BRONZE COVER - 3 X 1/2" ENTRIES - 1 GANG

008646 R14-3 - WHITE COVER - 3 X 1/2" ENTRIES - 1 GANG





# CONDUIT BODIES

RAB Design's industrial grade conduit bodies facilitate a compact, neat connection in an electrical run. These units can be used with Rigid or EMT Pipe. Each kit includes the conduit body, cover, set screws and gasket in one pre-assembled unit.



LB SERIES



LL SERIES



LR SERIES



LRL SERIES



T SERIES



XLSLB  
SERIES



C SERIES



## NOTES



## LB SERIES

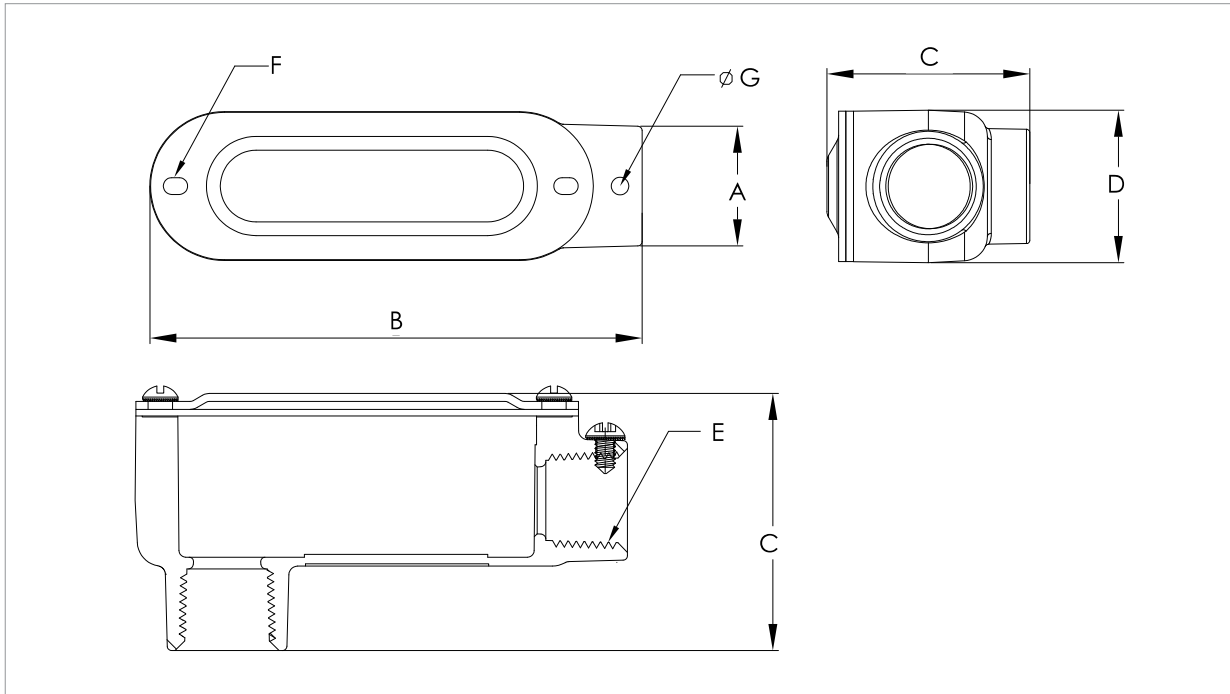
- Die cast aluminum combination fitting (EMT and rigid) available in 1/2", 3/4", 1", 1-1/4", 1-1/2", 1-3/4" and 2" sizes.
- Unit is threaded for rigid conduit and has set screws for EMT.
- Product includes conduit body, black neoprene gasket, stamped aluminum cover with screws.
- Durable grey powder coat paint finish.
- Separate fittings for EMT and rigid available in larger sizes of 2-1/2", 3", 3-1/2" and 4".

Certification:





## DIMENSIONS



PRODUCT	A	B	C	D	E	F	G
					CONDUIT SIZE	COVER SCREWS	SET SCREWS
LB-50-CG CONDUIT BODY	1.06	4.37	2.30	1.31	1/2"	2x8-32	2x10-24
LB-75-CG CONDUIT BODY	1.31	5.12	2.56	1.53	3/4"	2x8-32	2x10-24
LB-100-CG CONDUIT BODY	1.54	5.88	2.85	1.78	1"	2x8-32	2x10-24
LB-125-CG CONDUIT BODY	1.91	7.68	3.63	2.50	1-1/4"	2x12-24	4x1/4-20
LB-150-CG CONDUIT BODY	2.19	7.68	3.79	2.50	1-1/2"	2x12-24	4x1/4-20
LB-200-CG CONDUIT BODY	2.60	10.02	4.56	3.13	2"	2x12-24	4x1/4-20
LB-250-CG CONDUIT BODY	3.35	12.71	5.38	4.41	2-1/2"	2x5/16-18	4x5/16-18
LB-300-CG CONDUIT BODY	3.98	12.72	5.95	4.41	3"	2x5/16-18	4x5/16-18
LB-350-CG CONDUIT BODY	4.96	15.55	7.29	5.47	3 1/2"	2x5/16-18	4x5/16-18
LB-400-CG CONDUIT BODY	4.96	15.55	7.29	5.47	4"	2x5/16-18	4x5/16-18

## ORDER INFO

STOCK CODE / DESCRIPTION	STOCK CODE / DESCRIPTION
008779 LB-50-CG CONDUIT BODY	008893 LB-250-CG RIGID CONDUIT BODY
008780 LB-75-CG CONDUIT BODY	008854 LB-300-CG EMT CONDUIT BODY
008781 LB-100-CG CONDUIT BODY	008894 LB-300-CG RIGID CONDUIT BODY
008782 LB-125-CG CONDUIT BODY	008903 LB-350-CG RIGID CONDUIT BODY
008783 LB-150-CG CONDUIT BODY	008855 LB-400-CG EMT CONDUIT BODY
008784 LB-200-CG CONDUIT BODY	008895 LB-400-CG RIGID CONDUIT BODY
008853 LB-250-CG EMT CONDUIT BODY	

## NOTES



## LL SERIES

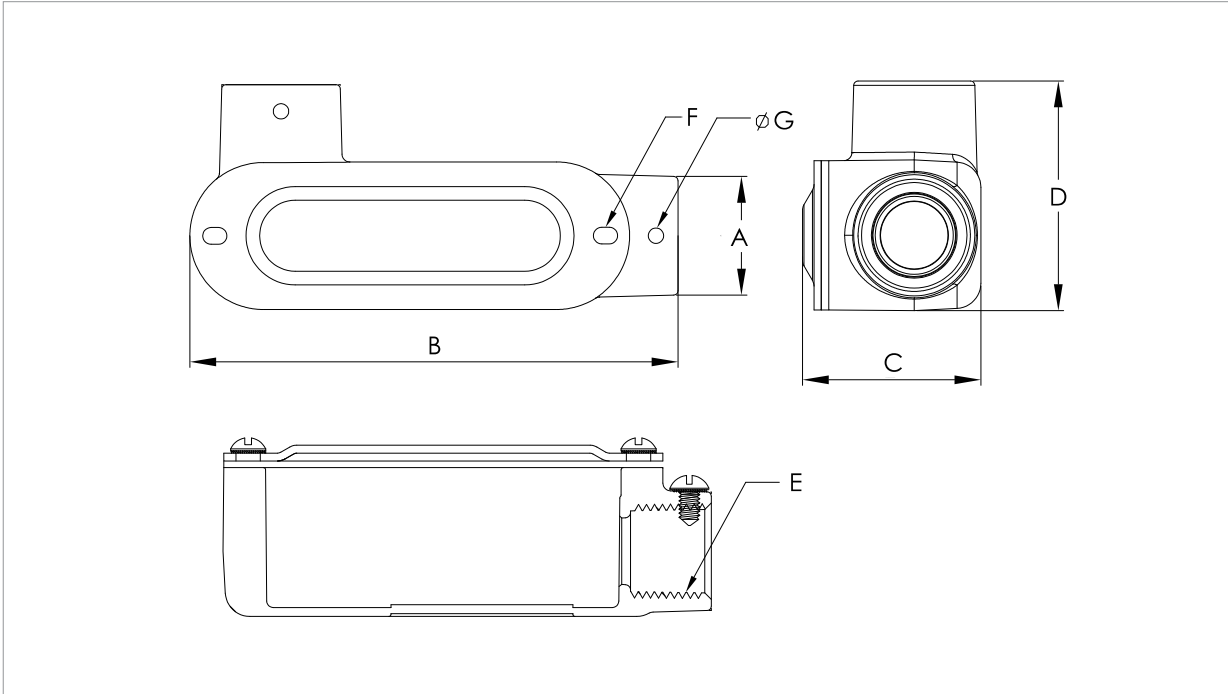
- Die cast aluminum combination fitting (EMT and rigid) available in 1/2", 3/4", 1", 1-1/4", 1-1/2", 1-3/4" and 2" sizes.
- Unit is threaded for rigid conduit and has set screws for EMT.
- Product includes conduit body, black neoprene gasket, stamped aluminum cover with screws.
- Durable grey powder coat paint finish.

Certification:





## DIMENSIONS



PRODUCT	A	B	C	D	E	F	G
					CONDUIT SIZE	COVER SCREWS	SET SCREWS
LL-50-CG CONDUIT BODY	1.06	4.37	1.55	2.01	1/2"	2x8-32	2x10-24
LL-75-CG CONDUIT BODY	1.31	5.12	1.81	2.27	3/4"	2x8-32	2x10-24
LL-100-CG CONDUIT BODY	1.56	5.91	2.12	2.65	1"	2x8-32	2x10-24
LL-125-CG CONDUIT BODY	2.00	7.68	2.74	3.42	1-1/4"	2x12-24	4x1/4-20
LL-150-CG CONDUIT BODY	2.24	7.68	2.89	3.42	1-1/2"	2x12-24	4x1/4-20
LL-200-CG CONDUIT BODY	2.70	10.02	3.58	4.20	2"	2x12-24	4x1/4-20

## ORDER INFO

STOCK CODE / DESCRIPTION
008785 LL-50-CG CONDUIT BODY
008786 LL-75-CG CONDUIT BODY
008787 LL-100-CG CONDUIT BODY
008788 LL-125-CG CONDUIT BODY
008789 LL-150-CG CONDUIT BODY
008790 LL-200-CG CONDUIT BODY



## NOTES



## LR SERIES

- Die cast aluminum combination fitting (EMT and rigid) available in 1/2", 3/4", 1", 1-1/4", 1-1/2", 1-3/4" and 2" sizes.
- Unit is threaded for rigid conduit and has set screws for EMT.
- Product includes conduit body, black neoprene gasket, stamped aluminum cover with screws.
- Durable grey powder coat paint finish.

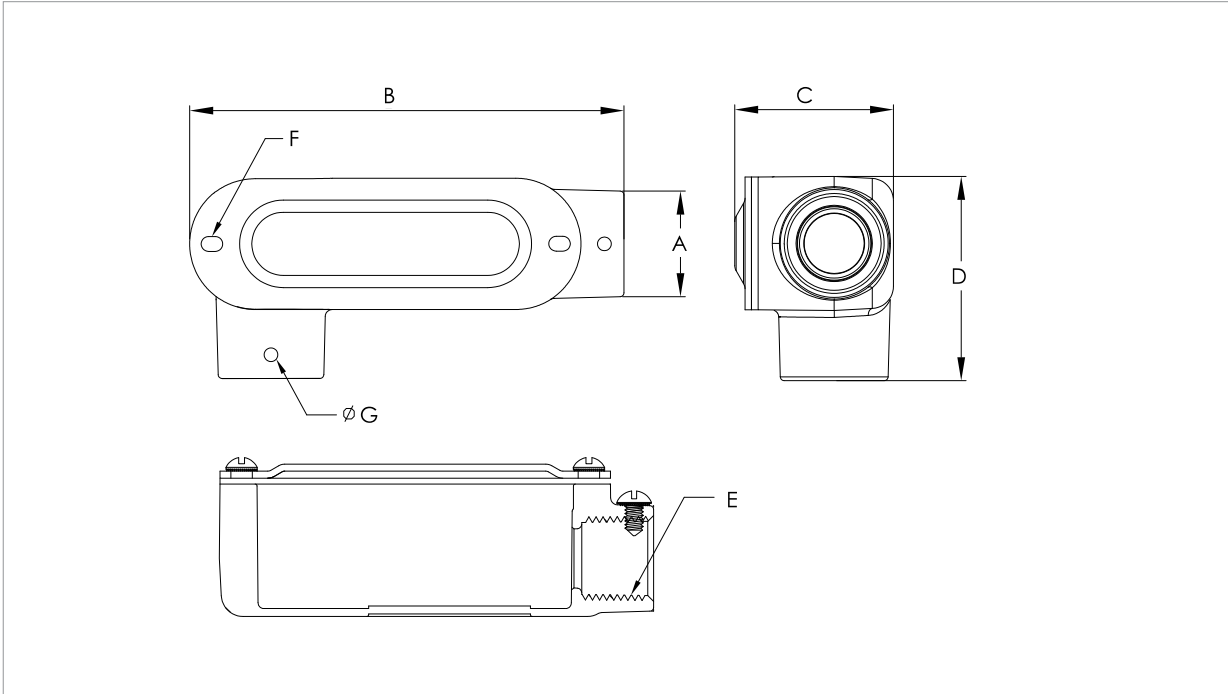
Certification:







## DIMENSIONS



PRODUCT	A	B	C	D	E CONDUIT SIZE	F COVER SCREWS	G SET SCREWS
LR-50-CG CONDUIT BODY	1.06	4.37	2.01	1.55	1/2"	2x8-32	2x10-24
LR-75-CG CONDUIT BODY	1.31	5.12	2.27	1.81	3/4"	2x8-32	2x10-24
LR-100-CG CONDUIT BODY	1.56	5.91	2.65	2.12	1"	2x8-32	2x10-24
LR-125-CG CONDUIT BODY	2.00	7.68	3.42	2.74	1-1/4"	2x12-24	4x1/4-20
LR-150-CG CONDUIT BODY	2.24	7.68	3.42	2.89	1-1/2"	2x12-24	4x1/4-20
LR-200-CG CONDUIT BODY	2.70	10.02	4.20	3.58	2"	2x12-24	4x1/4-20

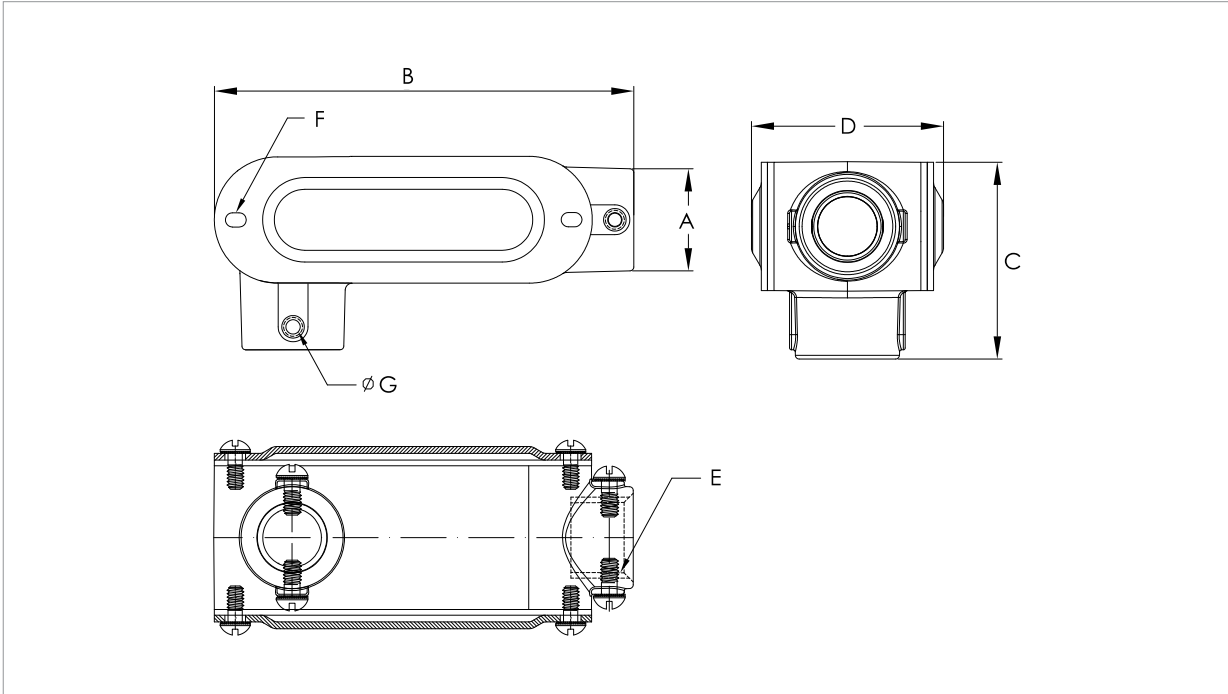
## ORDER INFO

STOCK CODE / DESCRIPTION
008791 LR-50-CG CONDUIT BODY
008792 LR-75-CG CONDUIT BODY
008793 LR-100-CG CONDUIT BODY
008794 LR-125-CG CONDUIT BODY
008795 LR-150-CG CONDUIT BODY
008796 LR-200-CG CONDUIT BODY





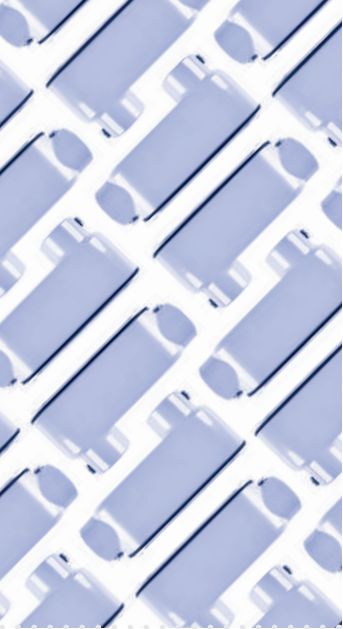
## DIMENSIONS



PRODUCT	A	B	C	D	E	F	G
					CONDUIT SIZE	COVER SCREWS	SET SCREWS
LRL-50-CG CONDUIT BODY	1.06	4.37	2.01	1.93	1/2"	2x8-32	2x10-24
LRL-75-CG CONDUIT BODY	1.31	5.12	2.27	2.18	3/4"	2x8-32	2x10-24
LRL-100-CG CONDUIT BODY	1.56	5.99	2.74	2.56	1"	2x8-32	2x10-24
LRL-125-CG CONDUIT BODY	2.00	7.81	3.41	3.20	1-1/4"	2x12-24	4x1/4-20
LRL-150-CG CONDUIT BODY	2.25	7.82	3.41	3.46	1-1/2"	2x12-24	4x1/4-20
LRL-200-CG CONDUIT BODY	2.70	10.10	4.19	4.22	2"	2x12-24	4x1/4-20

## ORDER INFO

STOCK CODE / DESCRIPTION
008797 LRL-50-CG CONDUIT BODY
008798 LRL-75-CG CONDUIT BODY
008799 LRL-100-CG CONDUIT BODY
008800 LRL-125-CG CONDUIT BODY
008801 LRL-150-CG CONDUIT BODY
008802 LRL-200-CG CONDUIT BODY



## NOTES

Lined area for notes, consisting of horizontal lines separated by a vertical dashed line on the right side.



## T SERIES

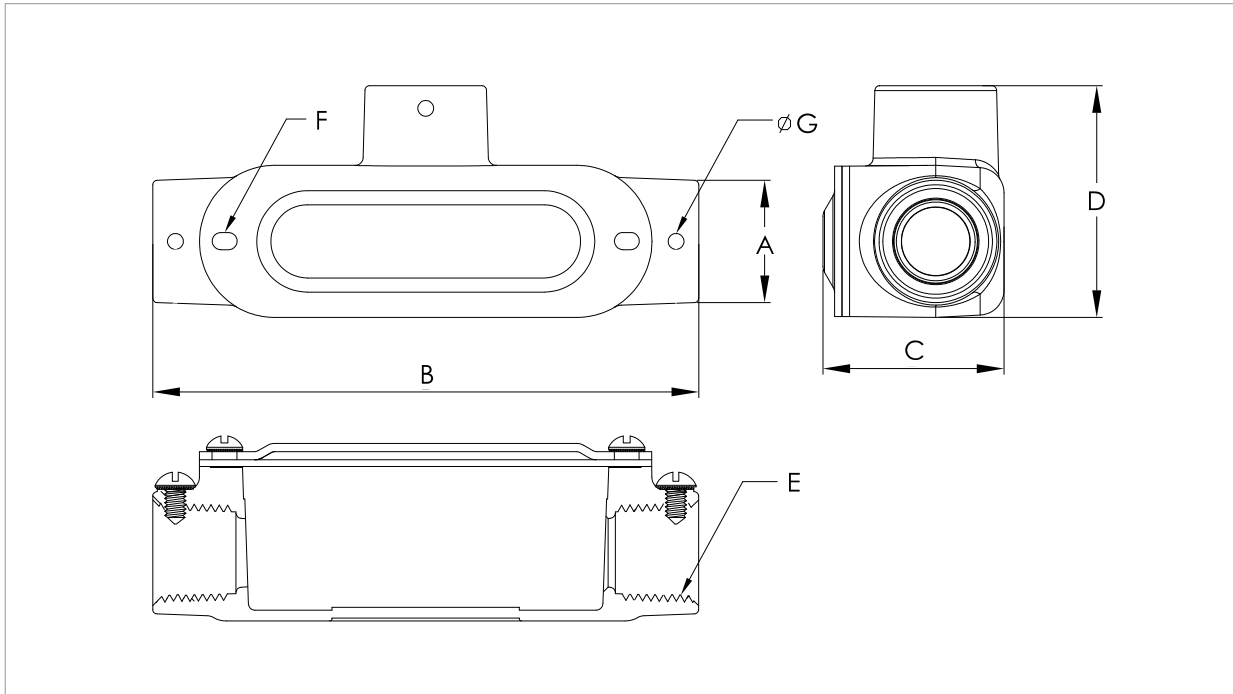
- Die cast aluminum combination fitting (EMT and rigid) available in 1/2", 3/4", 1", 1-1/4", 1-1/2", 1-3/4" and 2" sizes.
- Unit is threaded for rigid conduit and has set screws for EMT.
- Product includes conduit body, black neoprene gasket, stamped aluminum cover with screws.
- Durable grey powder coat paint finish.

Certification:





## DIMENSIONS



PRODUCT	A	B	C	D	E CONDUIT SIZE	F COVER SCREWS	G SET SCREWS
T-50-CG CONDUIT BODY	1.06	4.75	1.57	2.01	1/2"	2x8-32	2x10-24
T-75-CG CONDUIT BODY	1.31	5.61	1.81	2.27	3/4"	2x8-32	2x10-24
T-100-CG CONDUIT BODY	1.56	6.47	2.12	2.65	1"	2x8-32	2x10-24
T-125-CG CONDUIT BODY	2.00	8.11	2.77	3.42	1-1/4"	2x12-24	4x1/4-20
T-150-CG CONDUIT BODY	2.24	8.11	2.89	3.42	1-1/2"	2x12-24	4x1/4-20
T-200-CG CONDUIT BODY	2.70	10.54	3.58	4.20	2"	2x12-24	4x1/4-20

## ORDER INFO

STOCK CODE / DESCRIPTION
008773 T-50-CG CONDUIT BODY
008774 T-75-CG CONDUIT BODY
008775 T-100-CG CONDUIT BODY
008776 T-125-CG CONDUIT BODY
008777 T-150-CG CONDUIT BODY
008778 T-200-CG CONDUIT BODY



## NOTES



## XLSLB SERIES

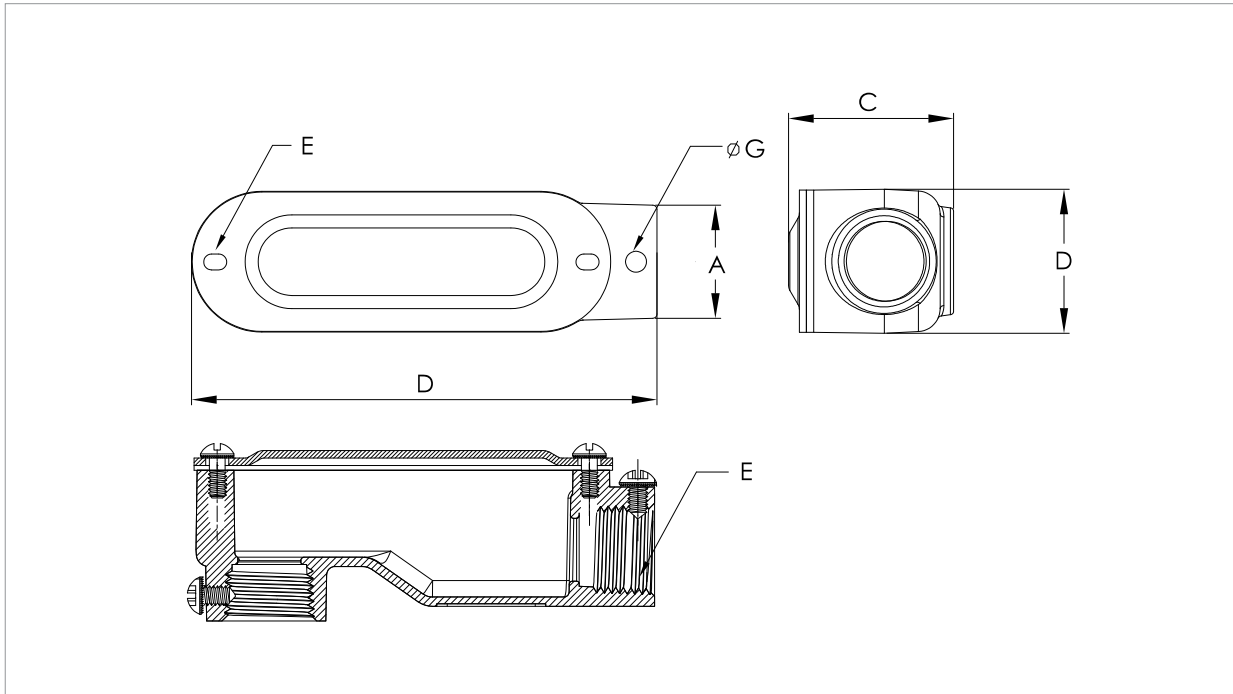
- Die cast aluminum combination fitting (EMT and rigid) available in 1/2", 3/4", 1", 1-1/4", 1-1/2", 1-3/4" and 2" sizes.
- Unit is threaded for rigid conduit and has set screws for EMT.
- Product includes conduit body, black neoprene gasket, stamped aluminum cover with screws.
- Durable grey powder coat paint finish.

Certification:





## DIMENSIONS



PRODUCT	A	B	C	D	E CONDUIT SIZE	F COVER SCREWS	G SET SCREWS
XLSLB-50-CG CONDUIT BODY	1.06	4.29	1.63	1.31	1/2"	2x8-32	2x10-24
XLSLB-75-CG CONDUIT BODY	1.32	5.05	1.97	1.53	3/4"	2x8-32	2x10-24
XLSLB-100-CG CONDUIT BODY	1.54	5.93	2.20	1.80	1"	2x8-32	2x10-24
XLSLB-125-CG CONDUIT BODY	1.93	7.74	2.91	2.51	1-1/4"	2x12-24	4x1/4-20
XLSLB-150-CG CONDUIT BODY	2.17	7.74	3.07	2.50	1-1/2"	2x12-24	4x1/4-20
XLSLB-200-CG CONDUIT BODY	2.69	9.89	3.75	3.12	2"	2x12-24	4x1/4-20

## ORDER INFO

STOCK CODE / DESCRIPTION
008862 XLSLB-50-CG CONDUIT BODY
008863 XLSLB-75-CG CONDUIT BODY
008864 XLSLB-100-CG CONDUIT BODY
008865 XLSLB-125-CG CONDUIT BODY
008866 XLSLB-150-CG CONDUIT BODY
008867 XLSLB-200-CG CONDUIT BODY



NOTES

Lined area for notes.



## C SERIES

- Die cast aluminum combination fitting (EMT and rigid) available in 1/2", 3/4", 1", 1-1/4", 1-1/2", 1-3/4" and 2" sizes.
- Unit is threaded for rigid conduit and has set screws for EMT.
- Product includes conduit body, black neoprene gasket, stamped aluminum cover with screws.
- Durable grey powder coat paint finish.

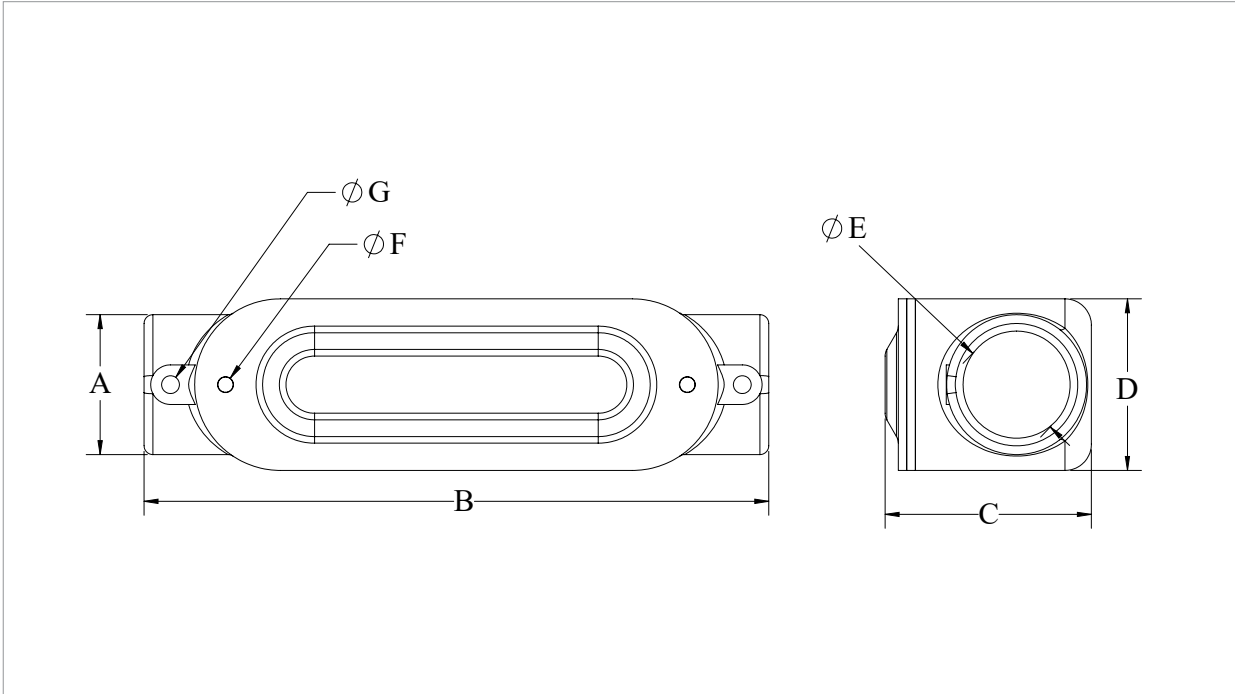
Certification:







## DIMENSIONS



PRODUCT	A	B	C	D	E	F	G
					CONDUIT SIZE	COVER SCREWS	SET SCREWS
C-50-CG CONDUIT BODY	1.06	4.75	1.56	1.31	1/2"	2x8-32	2x10-24
C-75-CG CONDUIT BODY	1.32	5.61	1.81	1.53	3/4"	2x8-32	2x10-24
C-100-CG CONDUIT BODY	1.56	6.48	2.13	1.78	1"	2x8-32	2x10-24
C-125-CG CONDUIT BODY	2.00	8.34	2.77	2.50	1-1/4"	2x12-24	4x1/4-20
C-150-CG CONDUIT BODY	2.25	8.11	2.90	2.50	1-1/2"	2x12-24	4x1/4-20
C-200-CG CONDUIT BODY	2.74	10.52	3.58	3.13	2"	2x12-24	4x1/4-20

## ORDER INFO

STOCK CODE / DESCRIPTION
008767 C-50-CG CONDUIT BODY
008768 C-75-CG CONDUIT BODY
008769 C-100-CG CONDUIT BODY
008770 C-125-CG CONDUIT BODY
008771 C-150-CG CONDUIT BODY
008772 C-200-CG CONDUIT BODY



# MULTI-USE WEATHERPROOF

RAB Design offers various multi-use lighting options, including entry and floodlights suitable for use in various locations both indoors and outdoors. These fixtures include ceiling and wall mount options and are available with different light sources, finishes and globe/lens options.



RC - CEILING MOUNT FIXTURES



RW SERIES - WALL MOUNT FIXTURES



BALL GLOBES



CYLINDER GLOBES



R100 SERIES



HR SERIES



HRL - HR FIXTURE WITH LENS



## NOTES



## RC - CEILING MOUNT FIXTURES

- Die cast aluminum ceiling mount fixture with universal mounting bracket and fitter for a standard junction box.
- Available options include: fitter only, glass/polycarbonate or ball/cylinder shape globe.
- Available in grey, white, black or bronze durable powder coat paint finish.
- 100 Watt incandescent max for glass and 75 Watt max for polycarbonate. (Incandescent, CFL or LED bulbs may be used). Lamp not included.
- Includes medium base porcelain socket and nickel-plated screw shell.
- Ideal for use in entryways and both indoors and outdoors.

Also available in:



Certification:



SOLD AS:



RC-1 Fitter Only

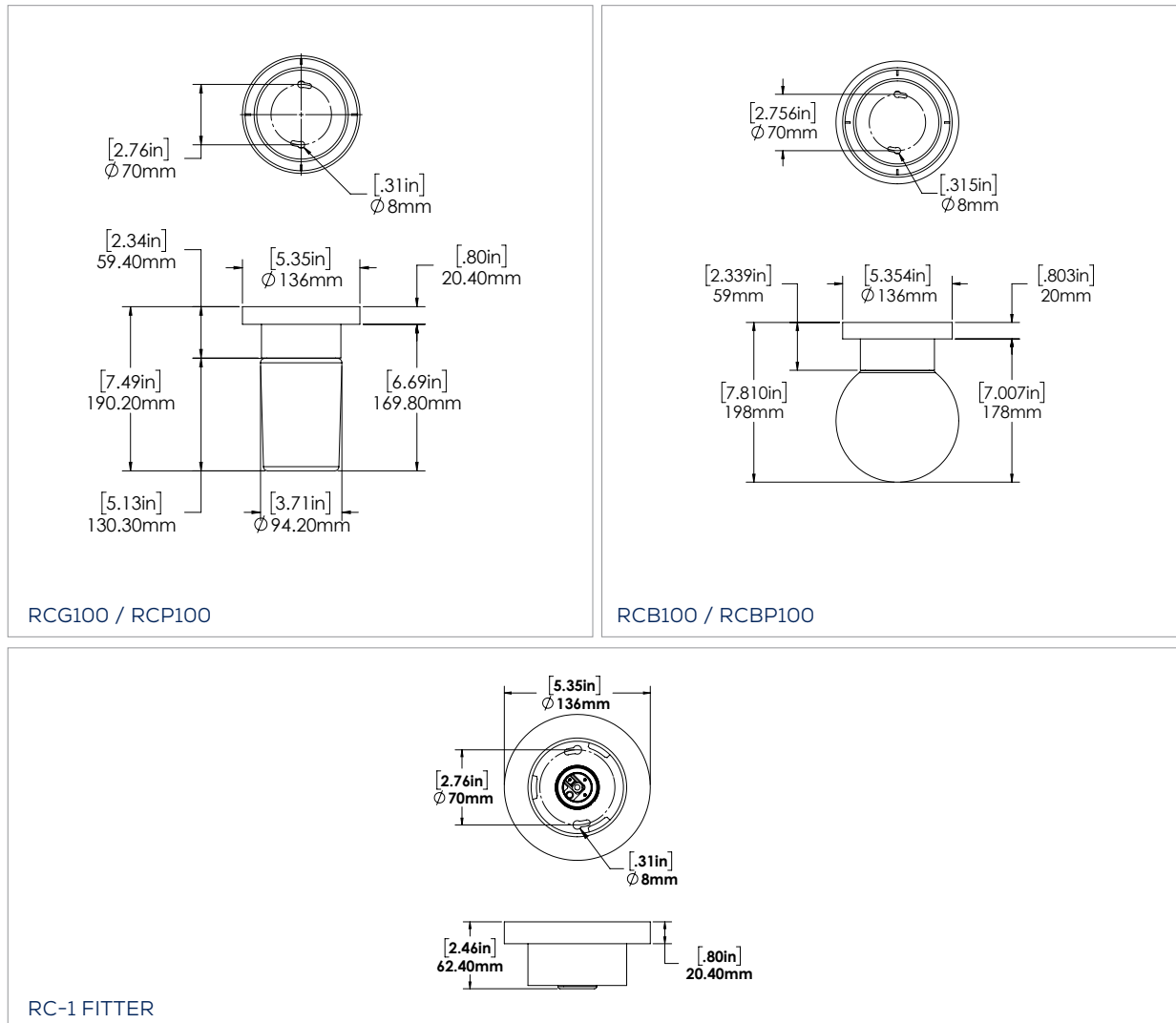


RCB100 (Glass)  
RCBP (Polycarbonate)



RCP100 (Polycarbonate)  
RCG100 (Glass)

## DIMENSIONS



## ORDER INFO

STOCK CODE / DESCRIPTION	STOCK CODE / DESCRIPTION
008543 RC-1 - GREY MOUNTING FITTER	010209 RCBP100 WHITE FIXTURE - POLY BALL
023597 RC-1 - WHITE MOUNTING FITTER	008558 RCG100 GREY FIXTURE - GLASS CYLINDER
008544 RC-1 - BLACK MOUNTING FITTER	008559 RCG100 BLACK FIXTURE - GLASS CYLINDER
008545 RC-1 - BRONZE MOUNTING FITTER	008560 RCG100 BRONZE FIXTURE - GLASS CYLINDER
019293 RCB100 WHITE FIXTURE - GLASS BALL	094533 RCG100 WHITE FIXTURE - GLASS CYLINDER
008553 RCB100 BLACK FIXTURE - GLASS BALL	008561 RCP100 GREY FIXTURE - POLY CYLINDER
008554 RCB100 BRONZE FIXTURE - GLASS BALL	011325 RCP100 WHITE FIXTURE - POLY CYLINDER
008556 RCB100 BLACK FIXTURE - POLY BALL	008562 RCP100 BLACK FIXTURE - POLY CYLINDER
008557 RCB100 BRONZE FIXTURE - POLY BALL	008563 RCP100 BRONZE FIXTURE - POLY CYLINDER
008555 RCBP100 GREY FIXTURE - POLY BALL	



## NOTES



## RW SERIES - WALL MOUNT FIXTURES

- Die cast aluminum wall mount fixture with universal mounting bracket and fitter for a standard junction box.
- Available options include: fitter only, glass/polycarbonate or ball/cylinder shape globe.
- Available in grey, white, black or bronze durable powder coat paint finish.
- 100 Watt incandescent max for glass and 75 Watt max for polycarbonate (Incandescent, Compact Fluorescent or LED bulbs may be used), Lamp not included.
- All variations come with medium base porcelain socket and nickel-plated screw shell.
- Ideal for use in entryways, indoors and outdoors.

Also available in:



Certification:



SOLD AS:



RW-1 Fitter Only

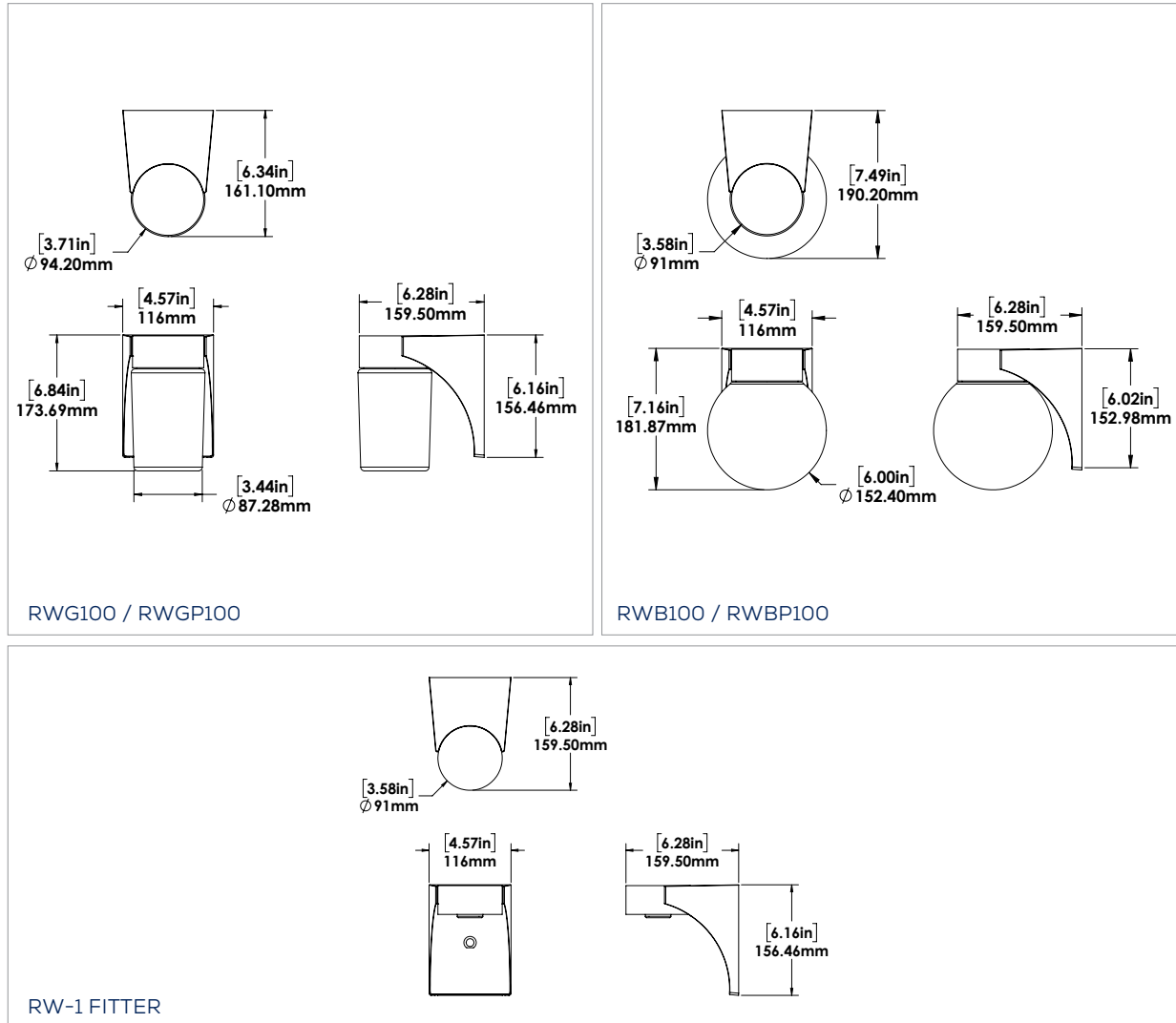


RWB100 (Glass)  
RWBP100  
(Polycarbonate)



RWG100 (Glass)  
RWP100  
(Polycarbonate)

## DIMENSIONS



## ORDER INFO

STOCK CODE / DESCRIPTION	STOCK CODE / DESCRIPTION
008564 RW-1 GREY FITTER	010247 RWBP100 - WHITE FIXTURE - POLY BALL
008565 RW-1 BLACK FITTER	008588 RWBP100 - GREY FIXTURE - POLY BALL
008566 RW-1 BRONZE FITTER	008600 RWG100 - BLACK FIXTURE - GLASS CYLINDER
023598 RW-1 WHITE FITTER	008601 RWG100 - BRONZE FIXTURE - GLASS CYLINDER
008585 RWB100 GREY FIXTURE - GLASS BALL	008599 RWG100 - GREY FIXTURE - GLASS CYLINDER
008586 RWB100 - BLACK FIXTURE - GLASS BALL	020819 RWG100 - WHITE FIXTURE - GLASS CYLINDER
008587 RWB100 BRONZE FIXTURE - GLASS BALL	008610 RWP100 - BRONZE FIXTURE - POLY CYLINDER
022901 RWB100 - WHITE FIXTURE - GLASS BALL	008608 RWP100 - GREY FIXTURE - POLY CYLINDER
008590 RWBP100 - BRONZE FIXTURE - POLY BALL	010245 RWP100 - WHITE FIXTURE - POLY CYLINDER
008589 RWBP100 - BLACK FIXTURE - POLY BALL	008609 RWP100 - BLACK FIXTURE - POLY CYLINDER

# BALL GLOBES

RAB Design carries a diverse line of durable and cost efficient glass and polycarbonate ball shaped globes for use with the RW/RC Series fixtures.



GL100BO  
WHITE GLASS



GL100PGBO  
WHITE  
POLYCARBONATE

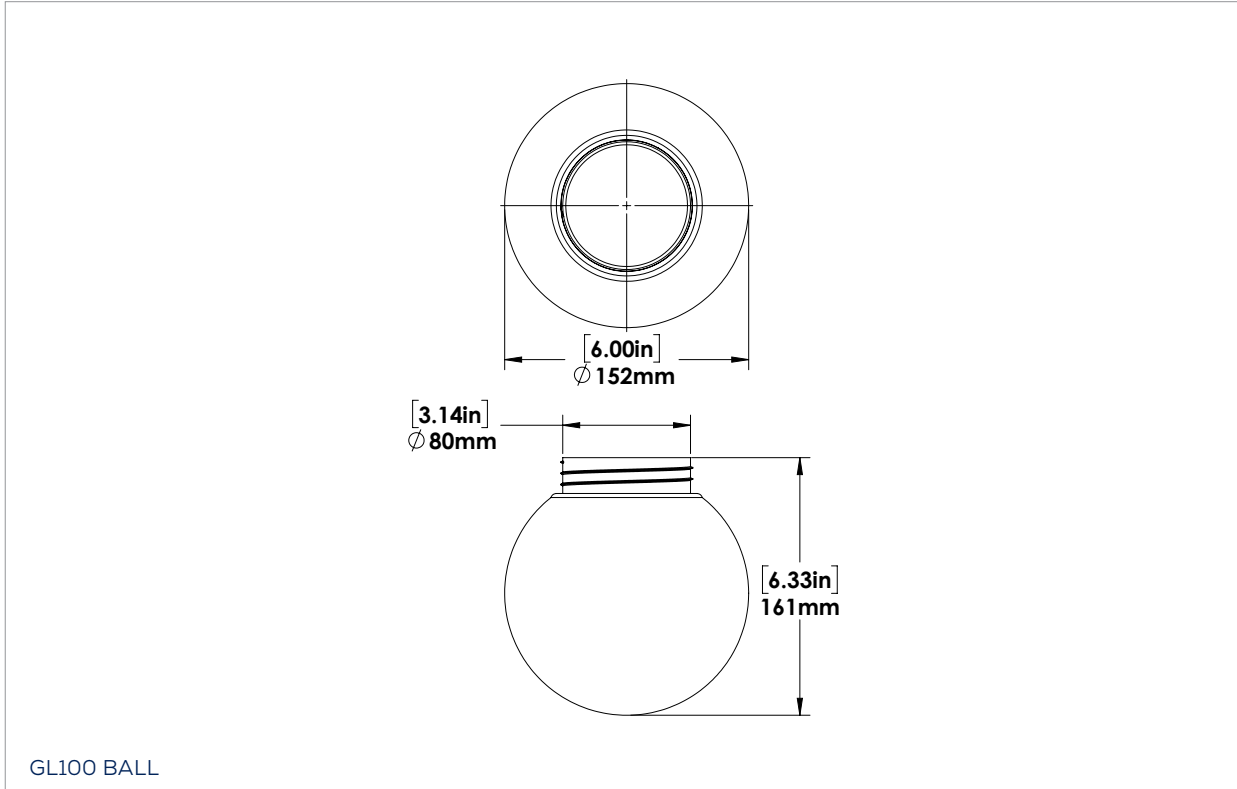


GLB100CP  
CLEAR  
POLYCARBONATE

NOTES



## DIMENSIONS



## ORDER INFO

### STOCK CODE / DESCRIPTION

008511 GL100BO - WHITE GLASS BALL

008519 GL100PGBO - WHITE POLY BALL

018518 GLB100CP - CLEAR POLY BALL

# CYLINDER GLOBES

RAB Design carries a diverse line of durable and cost efficient glass and polycarbonate cylinder shaped globes for use with the RW/RC Series fixtures.



GL100LPR POLY  
LONG PRISMATIC



GL100PRS PRISMATIC  
POLYCARBONATE



GL100PG CLEAR  
POLYCARBONATE



GL100PGA AMBER  
POLYCARBONATE



GL100PGB BLUE  
POLYCARBONATE



GL100PGG GREEN  
POLYCARBONATE



GL100PGO WHITE  
POLYCARBONATE

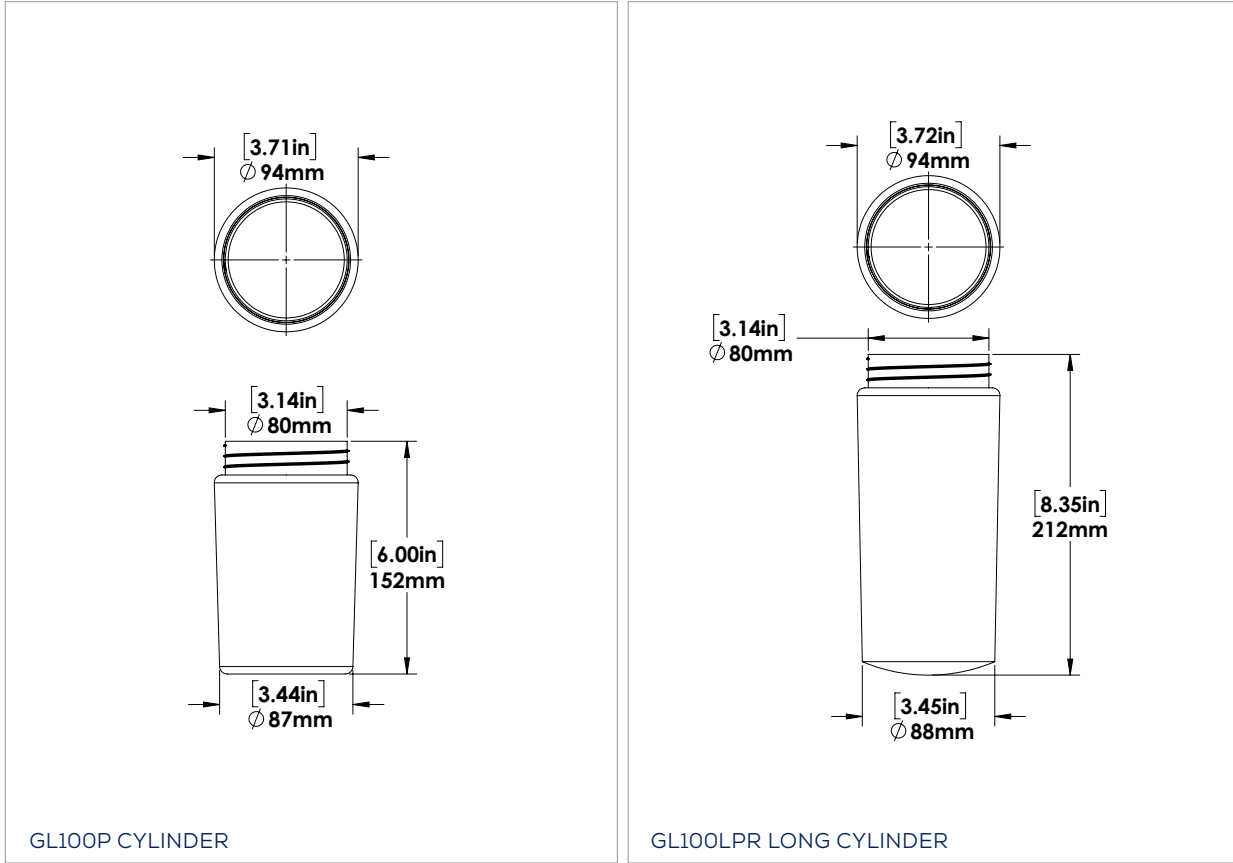


GL100PGR RED  
POLYCARBONATE

NOTES



## DIMENSIONS



## ORDER INFO

STOCK CODE / DESCRIPTION
060142 GL100LPR LONG PRISMATIC CYLINDER - ROUND BOTTOM
060128 GL100PRS - CLEAR POLY CYLINDER - ROUND BOTTOM
008515 GL100PG - CLEAR POLY CYLINDER
008516 GL100PGA - AMBER POLY CYLINDER
008518 GL100PGB - BLUE POLY CYLINDER
008520 GL100PGG - GREEN POLY CYLINDER
008521 GL100PGO - WHITE POLY CYLINDER
008522 GL100PGR - RED POLY CYLINDER



## NOTES



## R100 SERIES - FLOOD LIGHTING

- Rugged die-cast aluminum fixture available as a single lampholder or with twin lampholder and cover.
- Standard finish is grey. Available options include black, white or bronze powder coat paint finish
- Fully adjustable with serrated teeth for locking in place. 1/2" NPS threaded arm with locking nut.
- Mounts to standard junction box covers.
- Medium base porcelain socket for Par38 lamp (150 Watt max incandescent). Lamp not included.
- Lamp options include incandescent, CFL or LED.
- Ideal for use on sides of buildings to provide perimeter lighting.
- Can also be used with RAB Design outdoor sensors and controls

Also available in:



Certification:



SOLD AS:



R100  
(Single Holder)

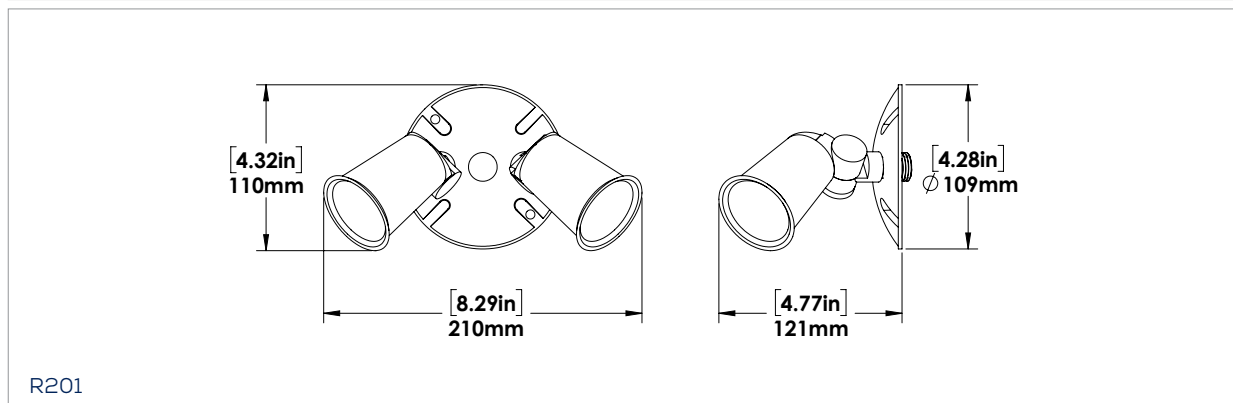
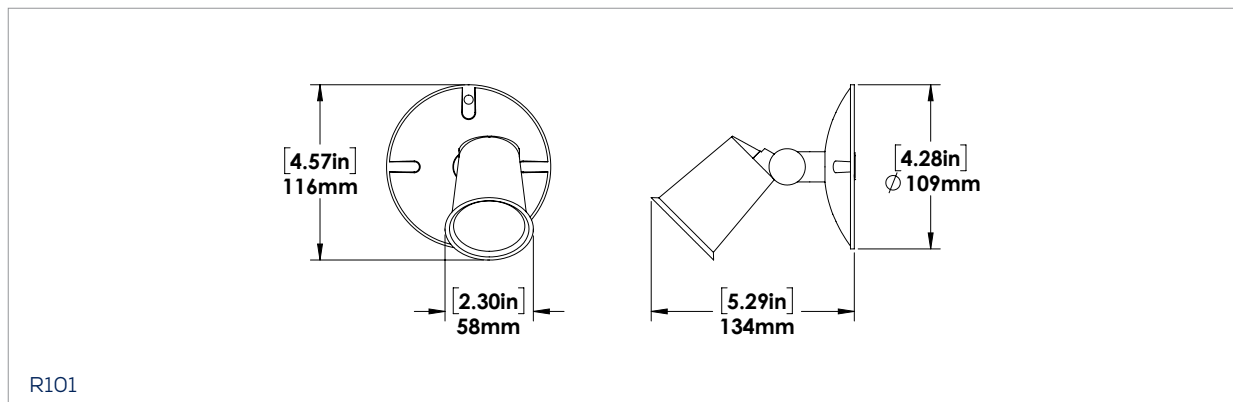
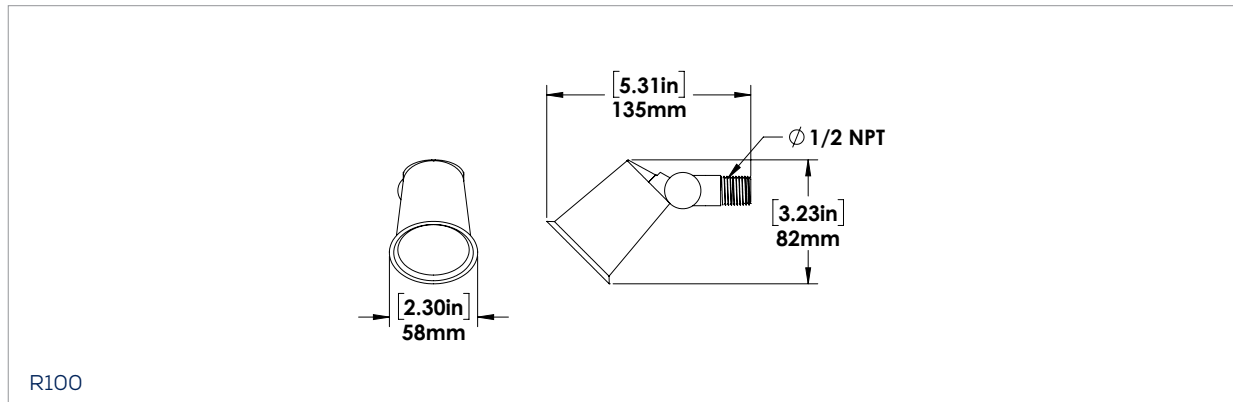


R101  
(Single Holder and  
Mounting Cover)



R201  
(Twin Holders and  
Mounting Cover)

## DIMENSIONS



## ORDER INFO

STOCK CODE / DESCRIPTION	STOCK CODE / DESCRIPTION
008380 R100 - GREY LAMPHOLDER	022429 R101W - SINGLE LAMPHOLDER & CVR - WHITE
008378 R100B - BLACK LAMPHOLDER	008388 R201 - GREY TWIN LAMPHOLDER & COVER
008381 R100R - BRONZE LAMPHOLDER	008390 R201B - BLACK TWIN LAMPHOLDER & COVER
022428 R100W - WHITE LAMPHOLDER	094428 R201R - BRONZE TWIN LAMPHOLDER & COVER
094426 R101 - SINGLE LAMPHOLDER & CVR - GREY	022430 R201B - WHITE TWIN LAMPHOLDER & COVER
008384 R101B - SINGLE LAMPHOLDER & CVR - BLACK	008235 GAX-R100 LIP GASKET
008386 R101R - SINGLE LAMPHOLDER & CVR - BRONZE	



## NOTES



## HR SERIES - FLOOD LIGHTING

- Rugged die-cast aluminum full cup holder aluminum floodlight fixture.
- Available as single or twin floodlight or as kit including cover.
- Standard finish is grey.
- Fully adjustable with serrated teeth for locking in place.  
1/2" NPS threaded arm with locking nut.
- Mounts to standard junction box covers, includes silicone gasket.
- Medium base porcelain socket for Par38 lamp (150 Watt incandescent max).
- Lamp options include incandescent, CFL or LED. Lamp not included.
- Water resistant glass lens kit available with fixture - see next page.

Also available in:



Certification:



SOLD AS:



HR-1  
(Full-Cup Holder  
and Cover)

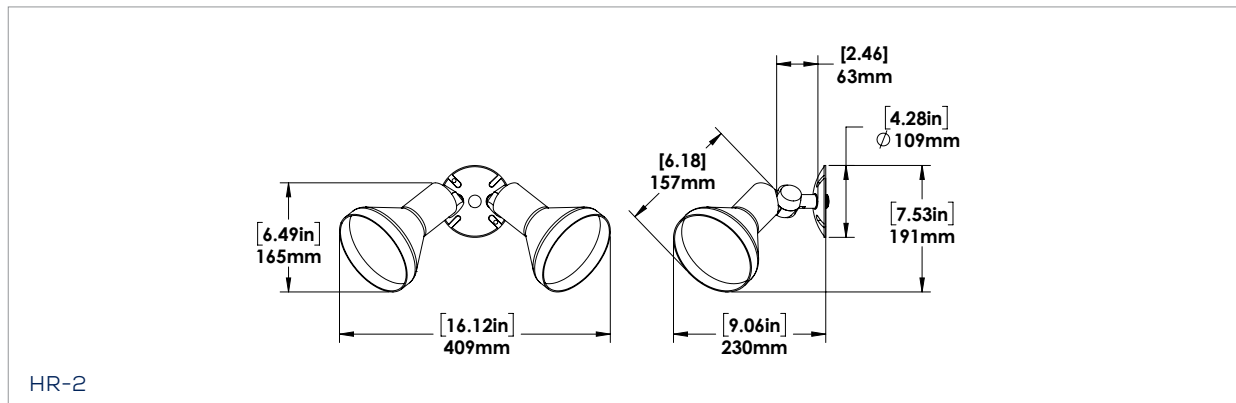
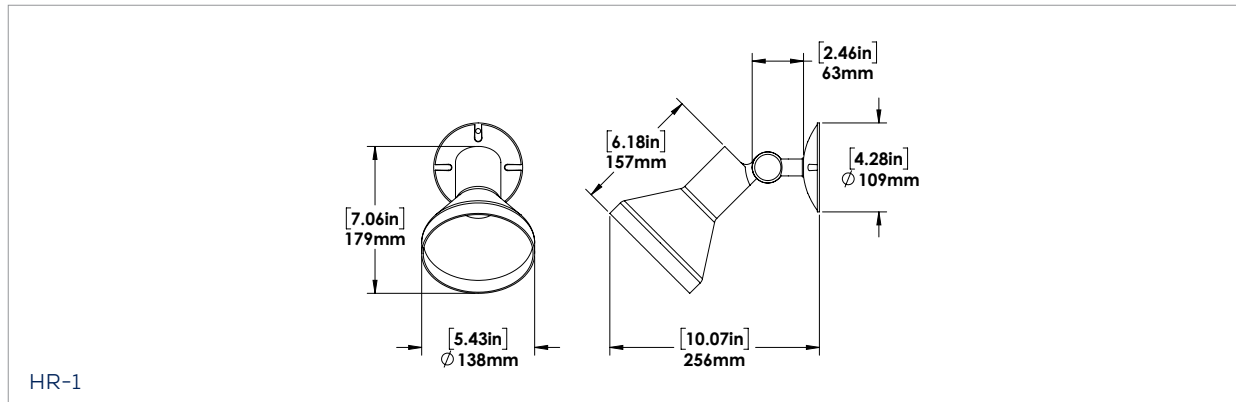
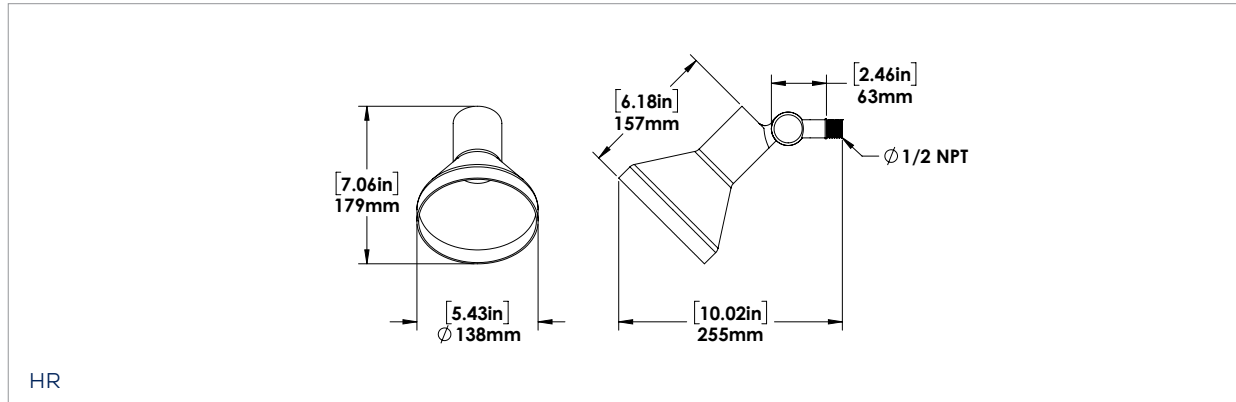


HR-2  
(Twin Full-Cup  
Holders and Cover)



HR  
(Full-Cup  
Holder Only)

## DIMENSIONS



## ORDER INFO

STOCK CODE / DESCRIPTION	STOCK CODE / DESCRIPTION
008311 HR - GREY FLOODLIGHT	094419 HRR-1 - BRONZE FLOODLIGHT & COVER
008319 HRB - BLACK FLOODLIGHT	008334 HRW-1 - WHITE FLOODLIGHT & COVER
008330 HRR - BRONZE FLOODLIGHT	094414 HR-2 -GREY TWIN FLOODLIGHT
094420 HRW - WHITE FLOODLIGHT	008322 HRB-2 - BLACK TWIN FLOODLIGHT & COVER
094413 HR-1 - GREY FLOODLIGHT & COVER	008332 HRR-2 - BRONZE TWIN FLOODLIGHT & COVER
008320 HRB-1 - BLACK FLOODLIGHT & COVER	094421 HRW-2 - WHITE TWIN FLOODLIGHT & COVER



## NOTES

## HRL - HR FIXTURE WITH LENS

- Rugged die-cast aluminum deluxe full-cup floodlight fixture with water resistant glass lens.
- Fully adjustable with serrated teeth for locking in place. 1/2" NPS threaded arm with locking nut.
- Medium base porcelain socket for Par38 lamp (150 Watt max). Lamp not included.
- Replacement Lens with 3 aluminum brackets, screws and gasket available as option.

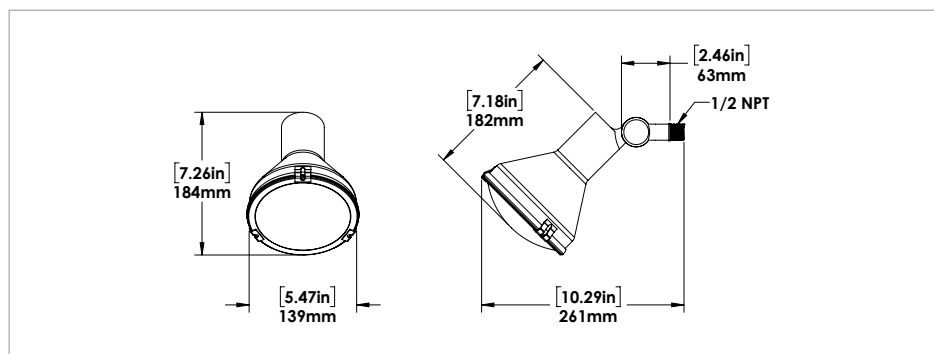
Also available in:



Certification:



## DIMENSIONS



## ORDER INFO

### STOCK CODE / DESCRIPTION

008329 HRL GREY HR FLOODLIGHT WITH LENS

094416 HRBL - BLACK HR FLOODLIGHT WITH LENS

020962 HRRL - BRONZE HR FLOODLIGHT WITH LENS

096108 HRWL - WHITE HR FLOODLIGHT WITH LENS

019261 REPLACEMENT LENS WITH GASKET





MULTI-USE WEATHERPROOF 



# INDUSTRIAL WEATHERPROOF

RAB Design offers one of the most extensive lineups of general purpose weatherproof lighting fixtures in the industry. This includes heavy duty ceiling, wall and pendant mounted fixtures in zinc and aluminum, which double as decorative fixtures. Options including various sizes/wattages, with aluminum guards and glass globes in different colours and finishes.



VAS SERIES  
CEILING MOUNT



VAKS SERIES  
CEILING MOUNT



VBS SERIES  
WALL MOUNT



VBKS SERIES  
WALL MOUNT



VCS SERIES  
PENDANT MOUNT



DVAKS SERIES  
CEILING MOUNT



DVBKS SERIES  
WALL MOUNT



DVCS  
PENDANT  
MOUNT FIXTURE



SOCKET/  
GASKETS



GD100CGS/  
200CGS



GD100CL/  
200CL



GLASS  
GLOBES

The VAS, VAKS, VBS, VBKS, VCS are available as component kits in custom finishes while the DVAKS, DVBKS and DVCS are complete fixtures in the raw aluminum finish.



## NOTES



## VAS SERIES CEILING MOUNT

- Die cast ceiling mount fixture; junction box not included.
- Available options include complete fixture with die cast fitter, clear glass and guard (VAS-100CG/200CG), die cast fitter with clear glass, without guard (VAS-100/200) and die cast fitter only (VAS-1/2).
- Fixture has porcelain medium base socket with nickel-plated screw shell.
- Raw aluminum finish is standard. Custom colours available.
- Globe options include prismatic, sand blasted and coloured.
- Die cast threaded guard with set screw for locking guard in place.
- Lamp is not included.

Also available in:



Custom Colours

Certification:



SOLD AS:



VAS-100CG / 200  
(Fitter + Globe/Guard)



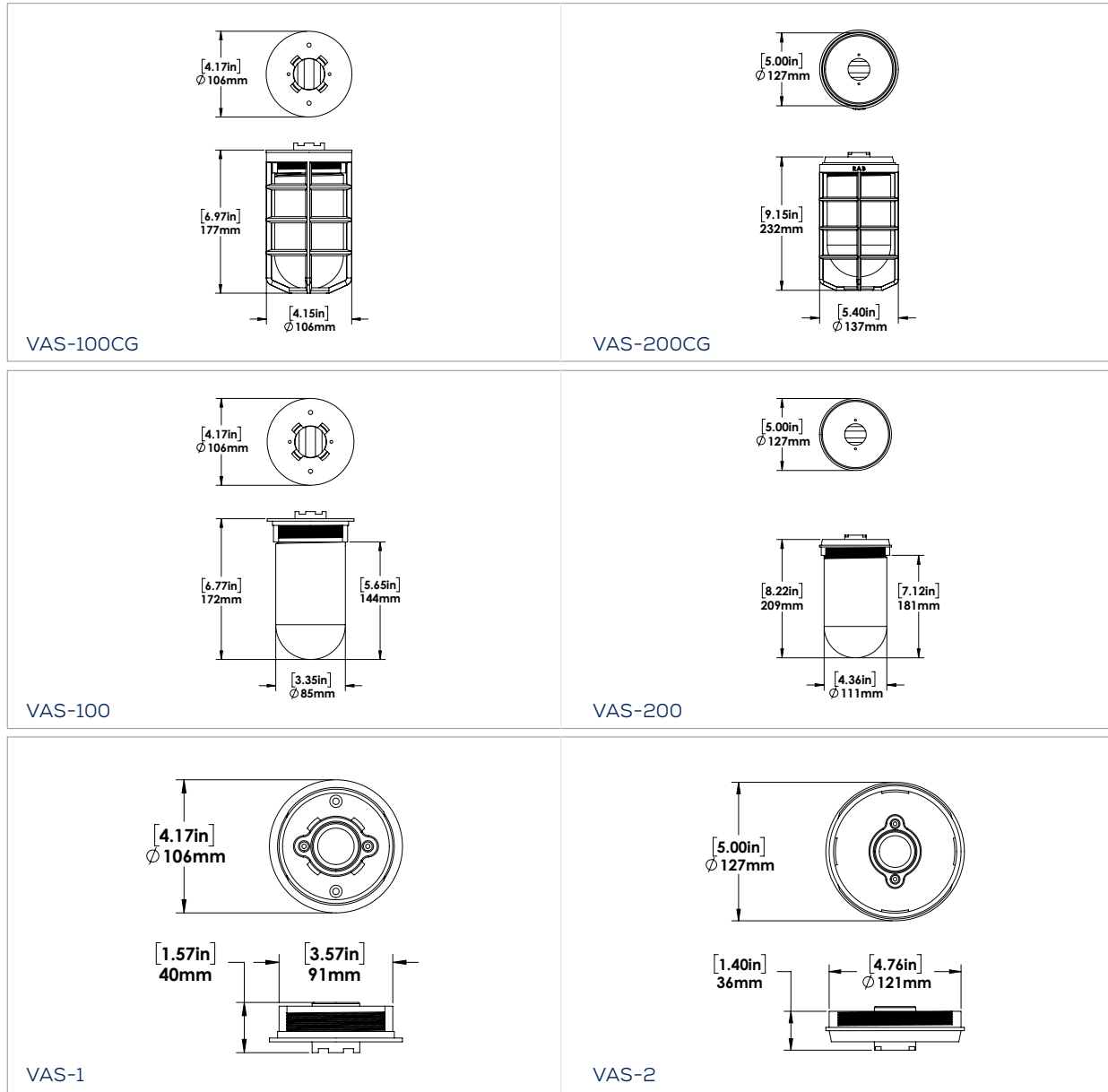
VAS-100 / 200  
(Fitter + Globe)



VAS-1 / 2  
(Fitter Only)



## DIMENSIONS



## ORDER INFO

STOCK CODE / DESCRIPTION
007881 VAS-1 - CEILING FITTER ONLY
007882 VAS-2 - LARGE CEILING FITTER ONLY
007883 VAS-100 - CEILING FITTER WITH GLASS
007896 VAS-200 - LARGE CEILING FITTER WITH GLASS
007887 VAS-100CG - CEILING FITTER WITH GLASS & GUARD
007900 VAS-200CG - LARGE CEILING FITTER WITH GLASS & GUARD



## NOTES



## VAKS SERIES CEILING MOUNT

- Die cast ceiling mount fixture with zinc junction box manufactured in Canada.
- All options come with zinc junction box; includes complete fixture with die cast fitter, clear glass and guard (VAKS-100CG/200CG), fitter with clear glass, without guard (VAKS-100/200) and die cast fitter only (VAKS-1/2).
- Fixture has porcelain medium base socket with nickel-plated screw shell.
- Raw aluminum finish is standard. Custom colours available.
- Cast zinc junction box with 1/2" entries and 3 spare plugs.
- Globe options include prismatic, sand blasted and coloured.
- Die cast threaded guard with set screw for locking guard in place.
- Lamp is not included.

Also available in:



Custom Colours

Certification:



SOLD AS:



VAKS-100CG / 200  
(Fitter + Globe/Guard)



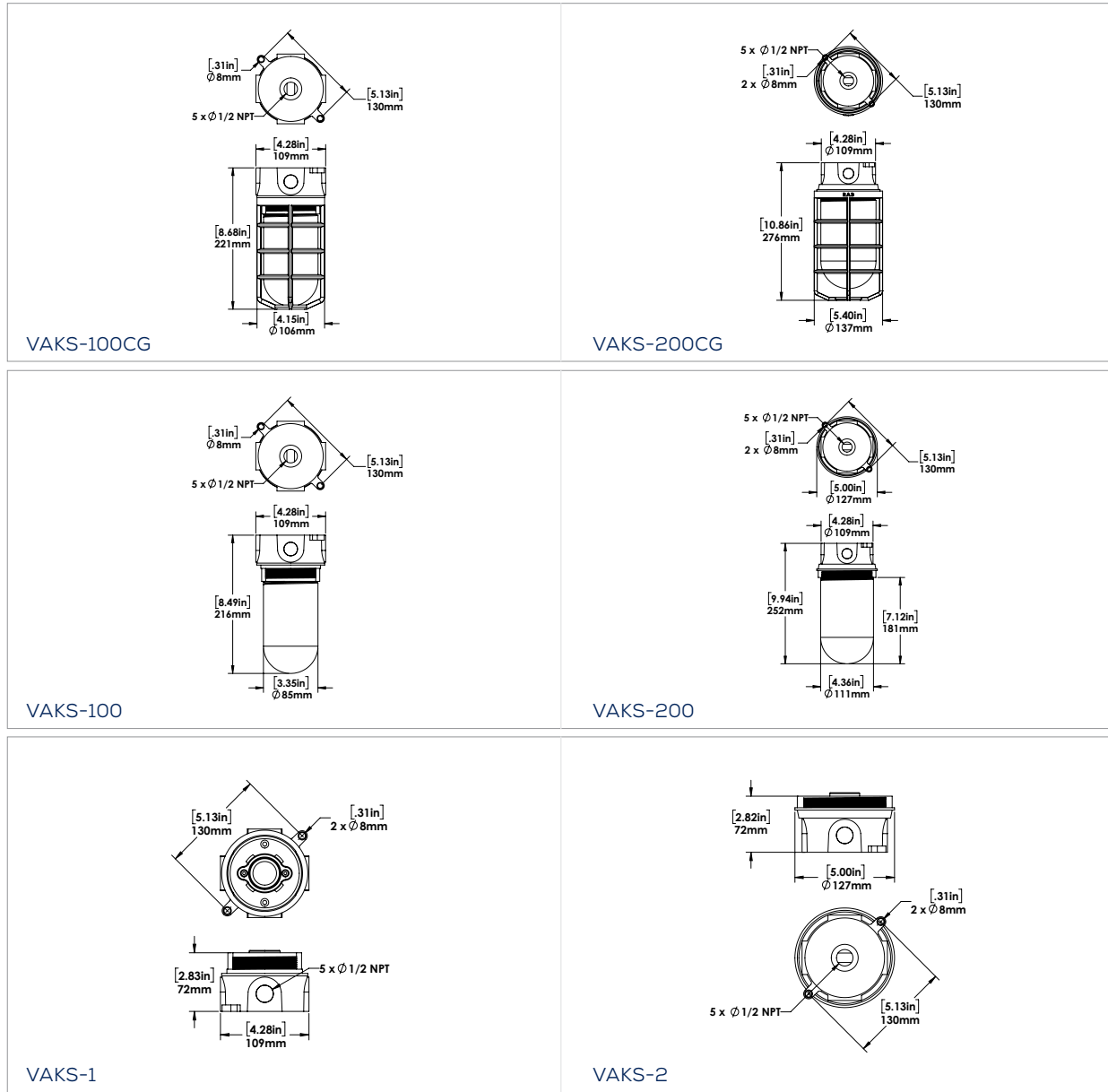
VAKS-100 / 200  
(Fitter + Globe)



VAKS-1 / 2  
(Fitter Only)



## DIMENSIONS



## ORDER INFO

STOCK CODE / DESCRIPTION
007853 VAKS-1 - CEILING FITTER WITH ZINC BOX
007854 VAKS-2 - LARGE CEILING FITTER WITH ZINC BOX
007855 VAKS-100 - CEILING FITTER WITH ZINC BOX & GLASS
007868 VAKS-200 - LARGE CEILING FITTER WITH ZINC BOX & GUARD
007859 VAKS-100CG - CEILING FITTER WITH ZINC BOX, GLASS & GUARD
007872 VAKS-200CG - LARGE CEILING FITTER WITH ZINC BOX, GLASS & GUARD



## NOTES



## VBS SERIES WALL MOUNT

- Die cast wall mount fixture; junction box not included.
- Available options include complete fixture with die cast fitter, clear glass and guard (VBS-100CG/200CG), die cast fitter with clear glass, without guard (VBS-100/200) and die cast fitter only (VBS-1/2).
- Fixture has porcelain medium base socket with nickel-plated screw shell.
- Raw aluminum finish is standard. Custom colours available.
- Globe options include prismatic, sand blasted and coloured.
- Die cast threaded guard with set screw for locking guard in place.
- Lamp is not included.

Also available in:



Custom  
Colours

Certification:



SOLD AS:



VBS-100CG / 200  
(Fitter + Globe/Guard)



VBS-100 / 200  
(Fitter + Globe)

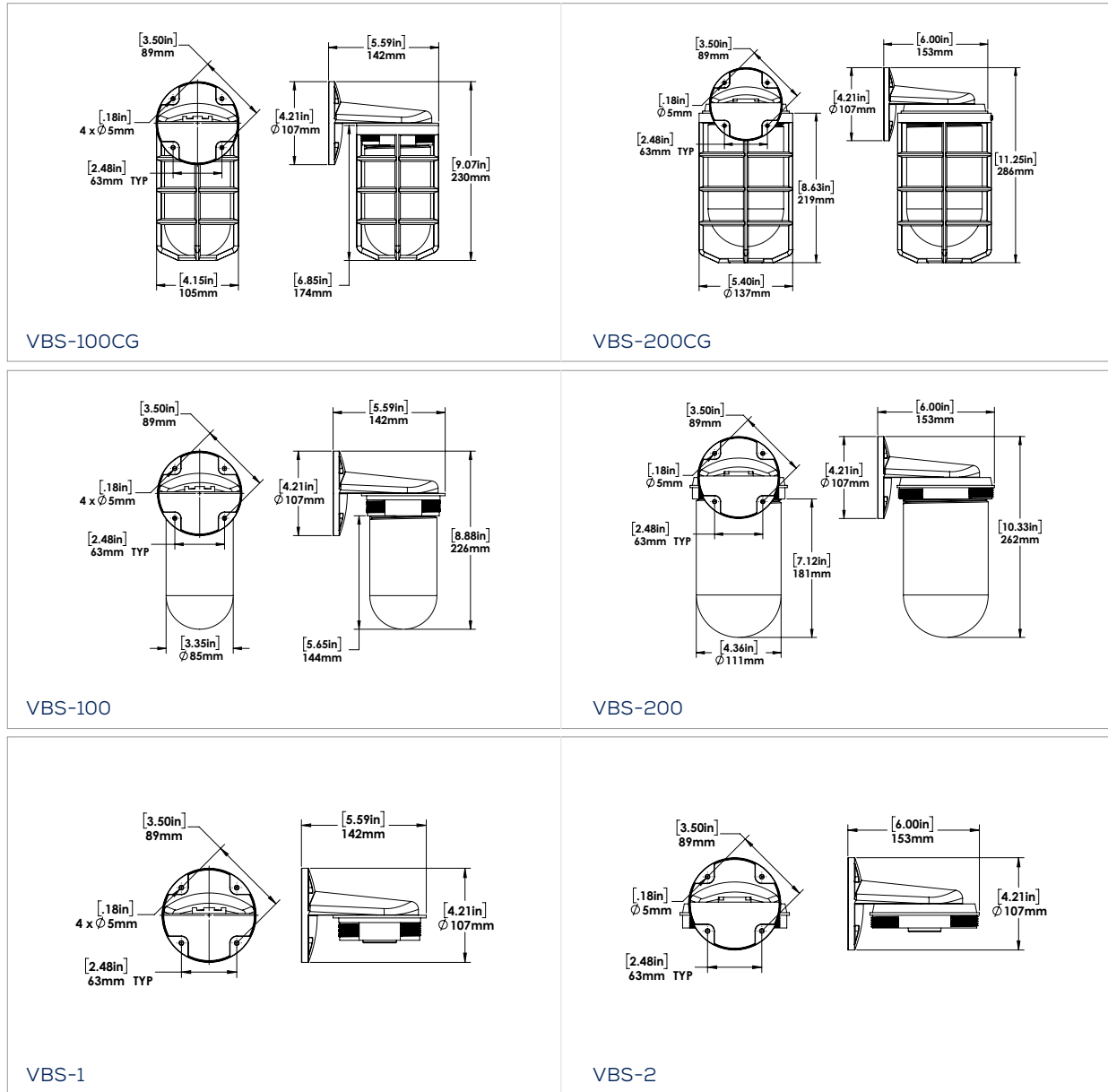


VBS-1 / 2  
(Fitter Only)





## DIMENSIONS



## ORDER INFO

STOCK CODE / DESCRIPTION
007924 VBS-1 - WALL FITTER ONLY
007925 VBS-2 - WALL FITTER ONLY
007926 VBS-100 - WALL FITTER WITH GLASS
007930 VBS-200 - LARGE WALL FITTER WITH GLASS
007927 VBS-100CG - CEILING FITTER - WITH GLASS & GUARD
007931 VBS-200CG - LARGE CEILING FITTER - WITH GLASS & GUARD



## NOTES



## VBKS SERIES WALL MOUNT

- Die cast wall mount fixture with zinc junction box manufactured in Canada.
- All options come with zinc junction box; they include complete fixture with die cast fitter, clear glass and guard (VBKS-100CG/200CG), die cast fitter with clear glass, without guard (VBKS-100/200) and die cast fitter only (VBKS-1/2).
- Fixture has porcelain medium base socket with nickel-plated screw shell.
- Raw aluminum finish is standard. Custom colours available.
- Cast zinc junction box with 1/2" entries and 3 spare plugs.
- Globe options include prismatic, sand blasted and coloured.
- Die cast threaded guard with set screw for locking guard in place.
- Lamp is not included.

Also available in:



Custom Colours

Certification:



SOLD AS:



VBKS-100CG / 200  
(Fitter + Globe/Guard)



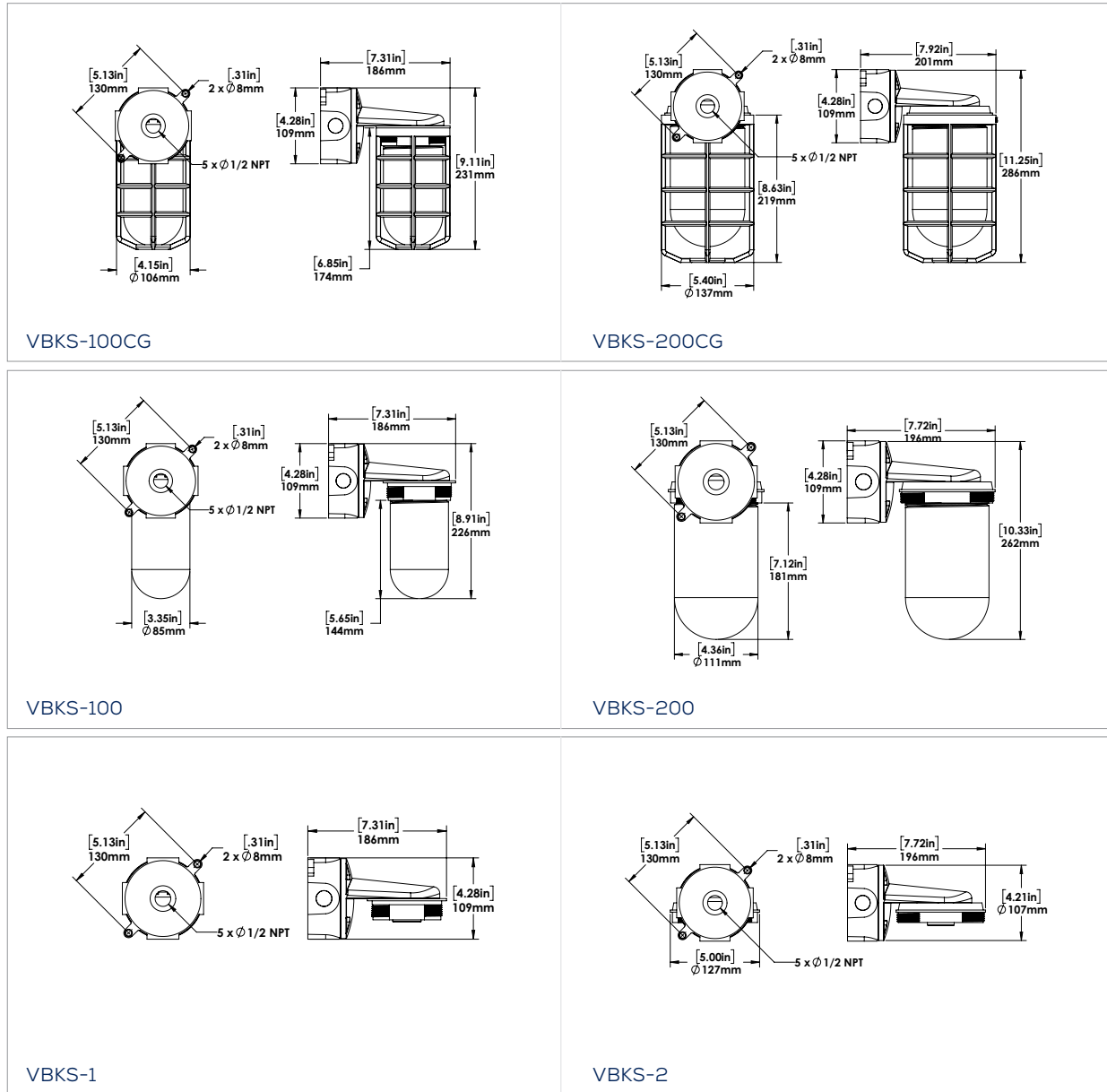
VBKS-100 / 200  
(Fitter + Globe)



VBKS-1 / 2  
(Fitter Only)



## DIMENSIONS



## ORDER INFO

STOCK CODE / DESCRIPTION
007914 VBKS-1 - WALL FITTER - WITH ZINC BOX
007915 VBKS-2 - LARGE WALL FITTER - WITH ZINC BOX
007916 VBKS-100 - WALL FITTER - WITH ZINC BOX & GLASS
007920 VBKS-200 - LARGE WALL FITTER - WITH ZINC BOX & GLASS
007917 VBKS-100CG - WALL FITTER - WITH ZINC BOX, GLASS & GUARD
007921 VBKS-200CG - LARGE WALL FITTER - WITH ZINC BOX, GLASS & GUARD



## NOTES



## VCS SERIES PENDANT FIXTURE

- Die cast pendant mount fixture with aluminum fitter, clear glass and guard.
- Fitter hub is threaded for 1/2" NPT pipe.
- Fixture has porcelain medium base socket with nickel-plated screw shell.
- Raw aluminum finish is standard. Custom colours available.
- Globe options include prismatic, sand blasted and coloured.
- Die cast threaded guard with set screw for locking guard in place.
- Lamp is not included.

Also available in:



Certification:



SOLD AS:



VCS-100CG / 200  
(Fitter + Globe/Guard)



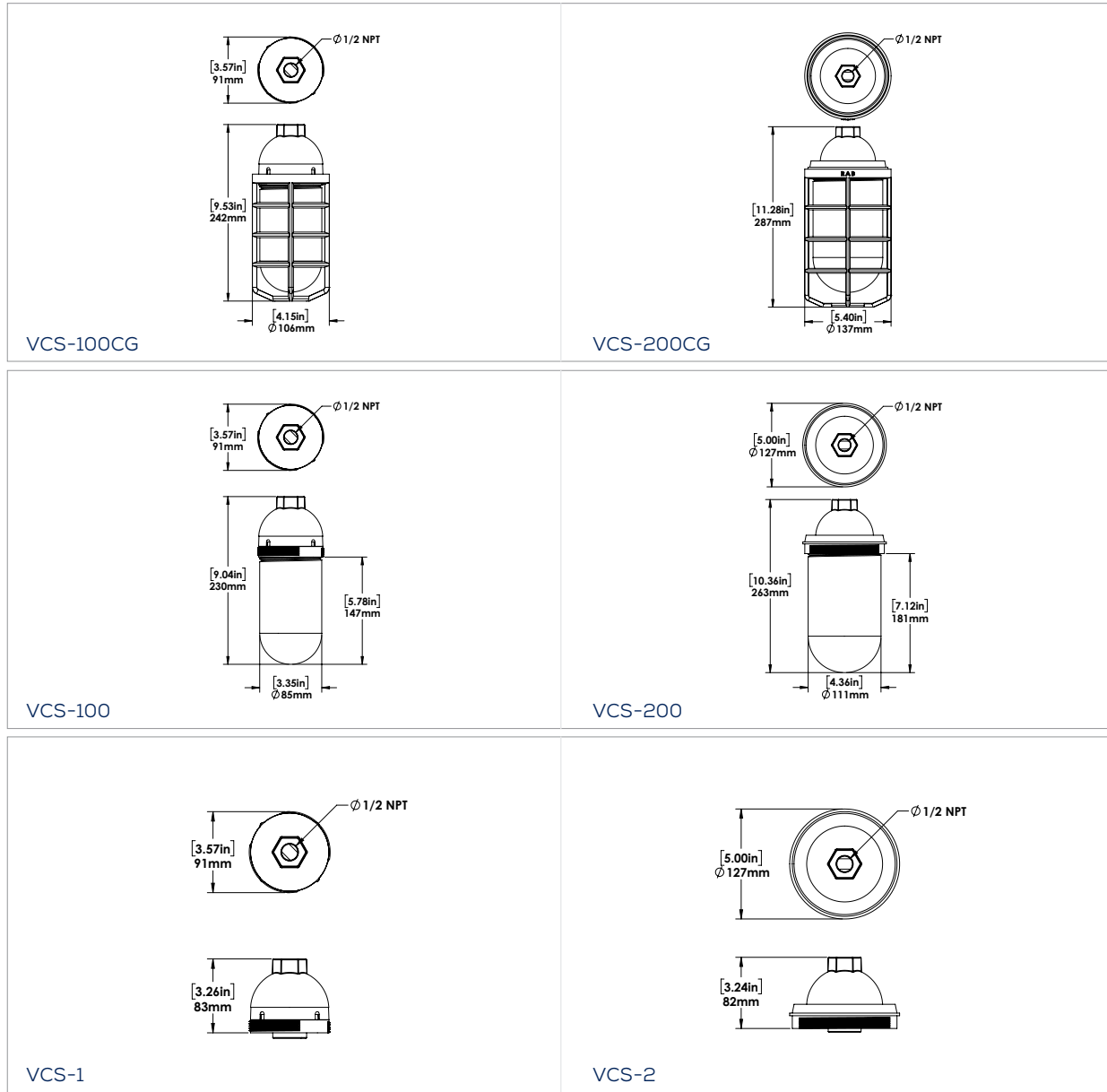
VCS-100 / 200  
(Fitter + Globe)



VCS-1 / 2  
(Fitter Only)



## DIMENSIONS



## ORDER INFO

STOCK CODE / DESCRIPTION
007934 VCS-1 - PENDANT FITTER ONLY
007935 VCS-2 - LARGE PENDANT FITTER ONLY
007936 VCS-100 - PENDANT FITTER WITH GLASS
007949 VCS-200 - LARGE PENDANT FITTER WITH GLASS
007941 VCS-100CG - PENDANT FITTER WITH GLASS & GUARD
007953 VCS-200CG - LARGE PENDANT FITTER WITH GLASS & GUARD



## NOTES



## DVAKS SERIES CEILING MOUNT

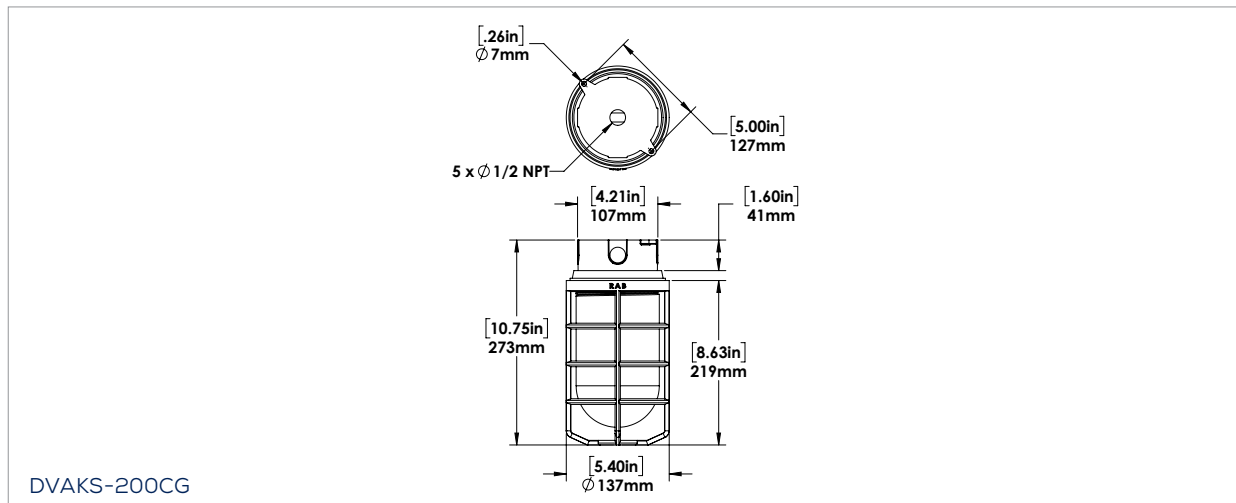
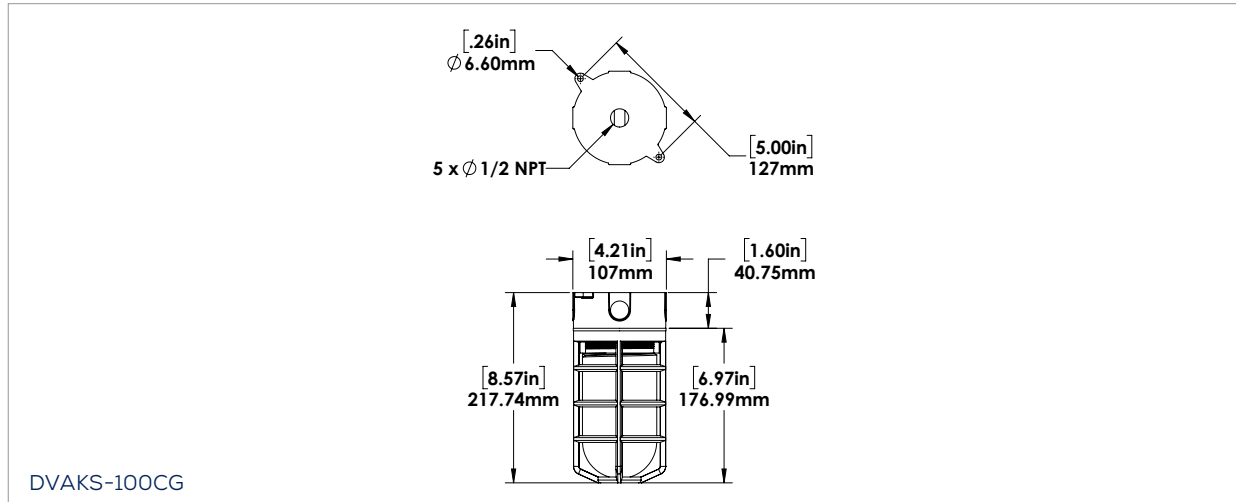
- Die cast ceiling mount fixture with aluminum junction box, fitter, clear glass, guard and brass screws.
- Silicone gasket between the fitter and junction box for sealing.
- Precision die-cast aluminum box with four 1/2" NPT plugs installed and one open 1/2" threaded conduit opening on the top.
- Fixture has porcelain medium base socket with nickel-plated screw shell.
- Raw aluminum finish is standard.
- Globe options include prismatic, sand blasted and coloured.
- Die cast threaded guard with set screw for locking guard in place.
- Lamp is not included.

Certification:





## DIMENSIONS



## ORDER INFO

STOCK CODE / DESCRIPTION
099207 DVAKS-100CG - CEILING FITTER WITH ALUM. BOX, GLASS & GUARD
099209 DVAKS-200CG - LARGE CEILING FITTER WITH ALUM. BOX, GLASS & GUARD



## NOTES

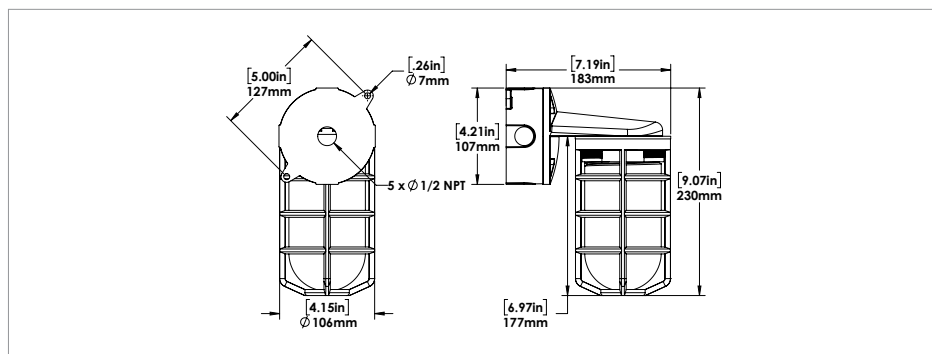
## DVBKS SERIES WALL MOUNT

- Die cast wall mount fixture with aluminum junction box, fitter, clear glass, guard and brass screws.
- Silicone gasket between the fitter and junction box for sealing.
- Precision die-cast aluminum box with four 1/2" NPT plugs installed and one open 1/2" threaded conduit opening on the top.
- Fixture has porcelain medium base socket with nickel-plated screw shell.
- Raw aluminum finish is standard.
- Globe options include prismatic, sand blasted and coloured.
- Die cast threaded guard with set screw for locking guard in place.
- Lamp is not included

Certification:



## DIMENSIONS



## ORDER INFO

### STOCK CODE / DESCRIPTION

099213 DVBKS-100CG - WALL FITTER WITH ALUM. BOX, GLASS & GUARD





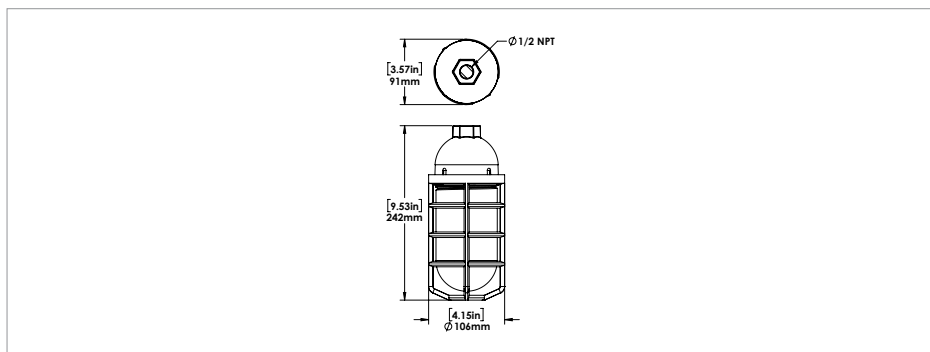
## DVCS PENDANT MOUNT FIXTURE

- Die cast pendant mount fixture with aluminum fitter, clear glass, guard and brass screws.
- Fitter hub is threaded for 1/2" NPT pipe.
- Fixture has porcelain medium base socket with nickel-plated screw shell.
- Raw aluminum finish is standard.
- Globe options include prismatic, sand blasted and coloured.
- Die cast threaded guard with set screw for locking guard in place.
- Lamp is not included.

Certification:



## DIMENSIONS



## ORDER INFO

### STOCK CODE / DESCRIPTION

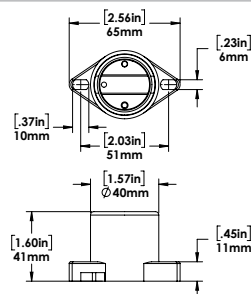
099225 DVCS-100CG - PENDANT FITTER WITH GLASS & GUARD

# ACCESSORIES



## R9878-VA SOCKET

- Porcelain medium base socket with leads and nickel plated screw shell.
- Fits VA, VB and VC series vapourproof fixtures.



## NOTES

## ORDER INFO

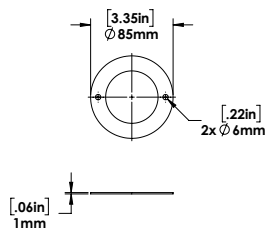
### STOCK CODE / DESCRIPTION

007852 R9878-VA - PORCELAIN SOCKET FOR VAPOURPROOF

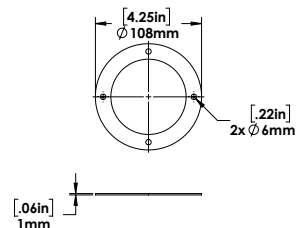


## GAX-100VP / 200

- Cork neoprene gasket for VAKS series fixtures.
- Available in 2 sizes for the 100 Series and 200 Series.
- For placement between wiring box and fitter.



GAX-100VP



GAX-200VP

## ORDER INFO

### STOCK CODE / DESCRIPTION

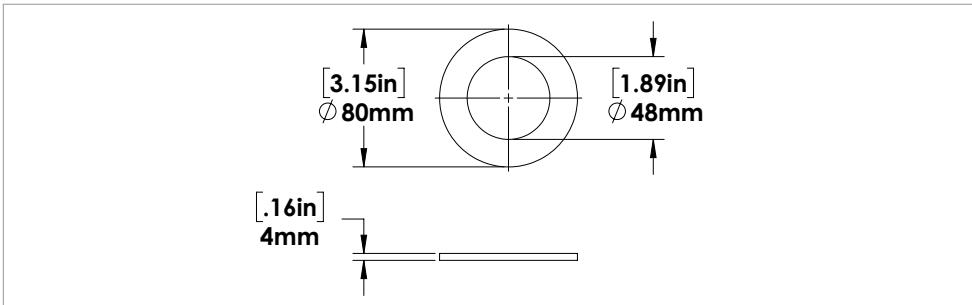
007836 GAX-VP100 - REPLACEMENT GASKET FOR VAKS FIXTURES

007837 GAX-VP200 - REPLACEMENT GASKET FOR LARGE VAKS FIXTURES



## GSK SILICONE F/DVAKS GL100 GLOBE

- Silicone gasket for DVAKS series fixtures.
- For placement between wiring box and fitter.



### ORDER INFO

STOCK CODE / DESCRIPTION
--------------------------

003947 REPLACEMENT GASKET FOR DVAKS FIXTURES
--

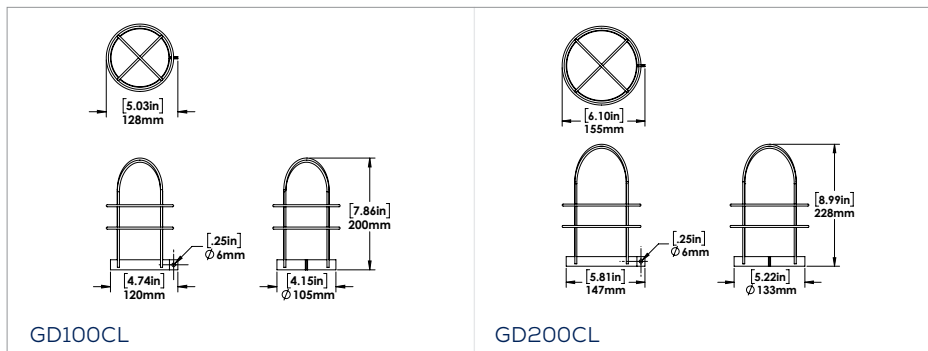




## GD100CL / 200 WIRE GUARD

- Chrome plated wire guard for use with RAB Design Vapourproof fixtures.
- Nut and bolt to lock guard securely to fixture.
- Round bottom to fit with glass globe.

### DIMENSIONS



### ORDER INFO

#### STOCK CODE / DESCRIPTION

007840 GD100CL - CHROME WIRE GUARD

007843 GD200CL - LARGE CHROME WIRE GUARD

# GLASS GLOBES

RAB Design carries a diverse line of durable and cost efficient glass globes for use with the VAKS/DVAKS Series fixtures. They come in various finishes, which include impregnated colours.



GL100 / 200  
CLEAR GLASS



GL100HR / 200  
HEAT RESISTANT



GL100RIB / 200  
RIBBED GLASS



GL100SB / 200  
SANDBLASTED



RGL100A / 200  
AMBER



RGL100B / 200  
BLUE



RGL100G / 200  
GREEN

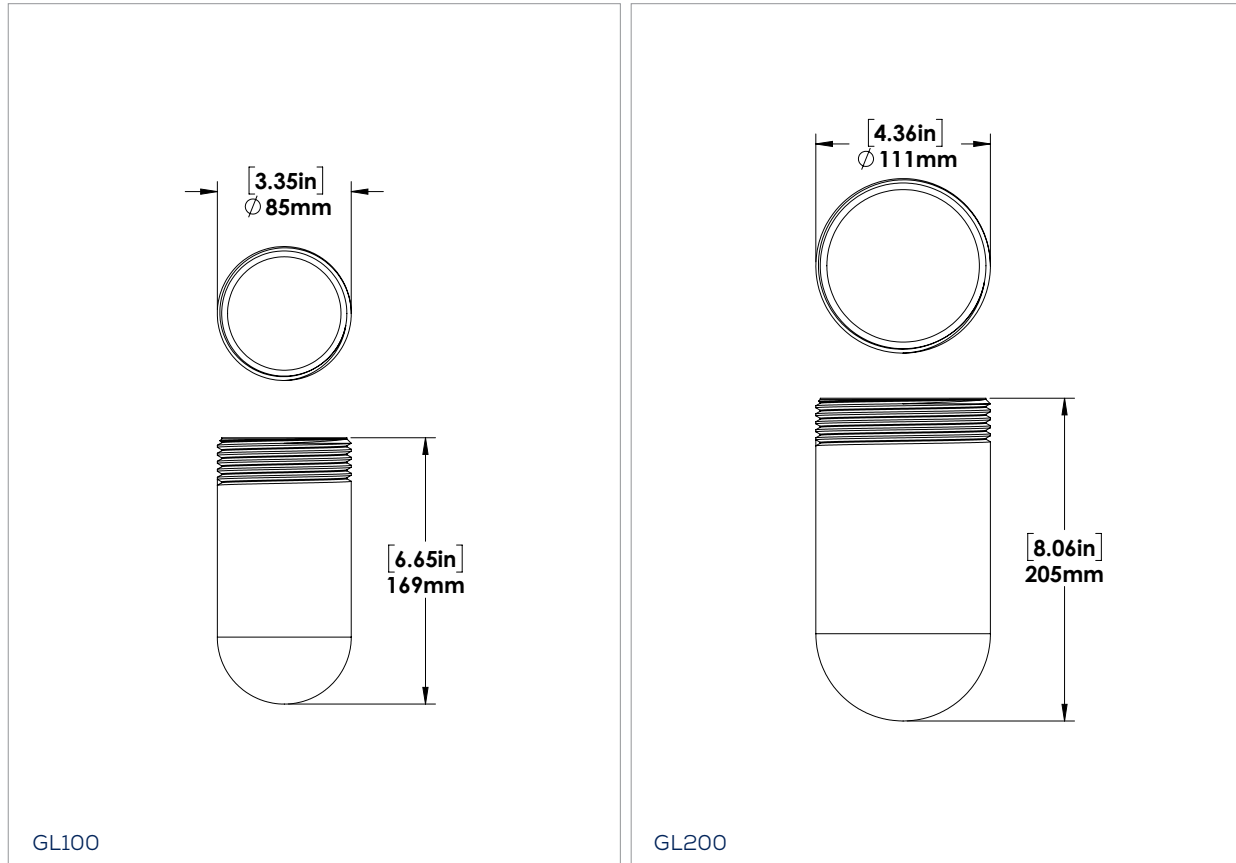


RGL100R / 200  
RED

NOTES



## DIMENSIONS



## ORDER INFO

STOCK CODE / DESCRIPTION	STOCK CODE / DESCRIPTION
008507 GL100 - CLEAR GLASS	008526 GL200 LARGE CLEAR GLASS
008513 GL100HR - CLEAR HEAT RES. GLASS	008530 GL200HR - LARGE CLEAR HEAT RES. GLASS
194164 GL100RIB-CL CLEAR RIBBED GLASS - ROUND	194165 GL200RIB-CL - LARGE CLEAR RIBBED GLASS
193882 GL100SB SANDBLASTED GLASS - ROUND	018453 GL200SB - LARGE SANDBLASTED GLASS
094203 RGL100A - AMBER GLASS IMPREGNATED	094208 RGL200A - LARGE AMBER GLASS IMPREGNATED
094204 RGL100B - BLUE GLASS IMPREGNATED	094209 RGL200B - LARGE BLUE GLASS IMPREGNATED
094205 RGL100G GREEN GLASS IMPREGNATED	094210 RGL200B - LARGE GREEN GLASS IMPREGNATED
094206 RGL100R - RED GLASS IMPREGNATED	094211 RGL200R - LARGE RED GLASS IMPREGNATED



**RAB**<sup>®</sup>  
DESIGN

For more information or to schedule a meeting,  
visit [rabdesign.ca](http://rabdesign.ca) or call **1-800-268-0381**.