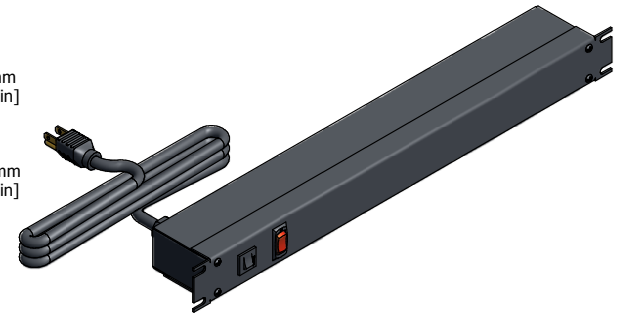
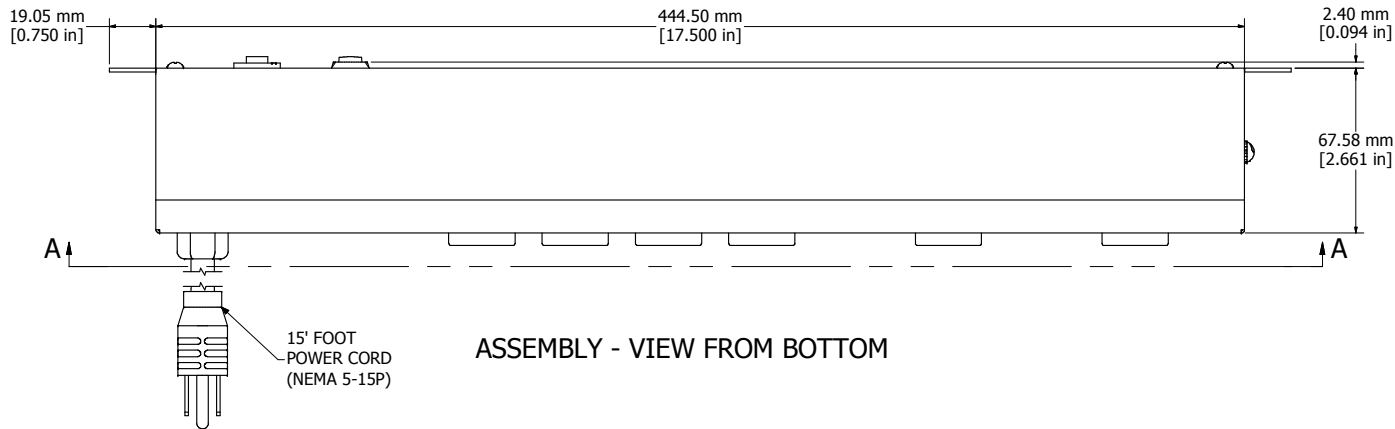


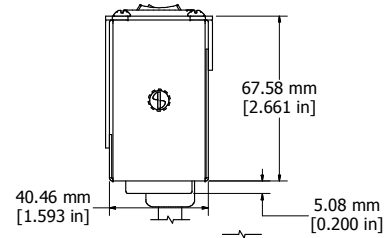
ASSEMBLY - VIEW FROM FRONT



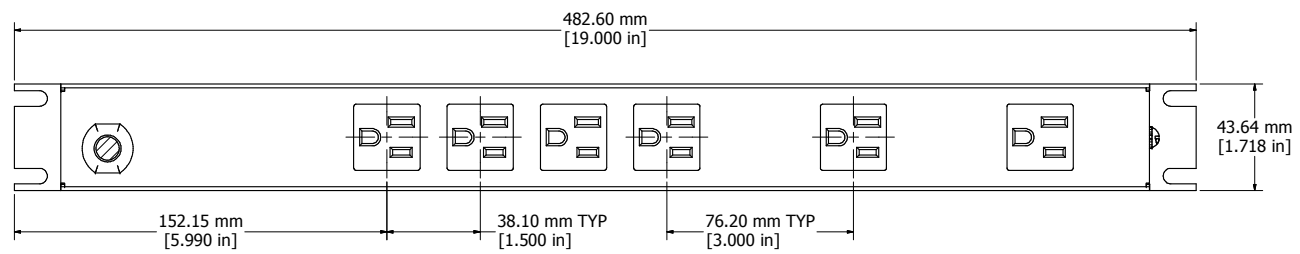
ISOMETRIC VIEW



ASSEMBLY - VIEW FROM BOTTOM



ASSEMBLY - VIEW FROM SIDE



SECTION A-A

<b>1583H6B1BK</b>
Finish - Front - Black Painted Steel
Back - Black Painted Steel
Rated - 125 VAC, 60 Hz, 15 Amps
Approvals - CSA Certified Standards C22.2 (No. 21-95, 42-99)
- UL Recognized Standard UL1363

**HAMMOND MANUFACTURING™**

**1583H6B1BK**

www.hammondmfg.com