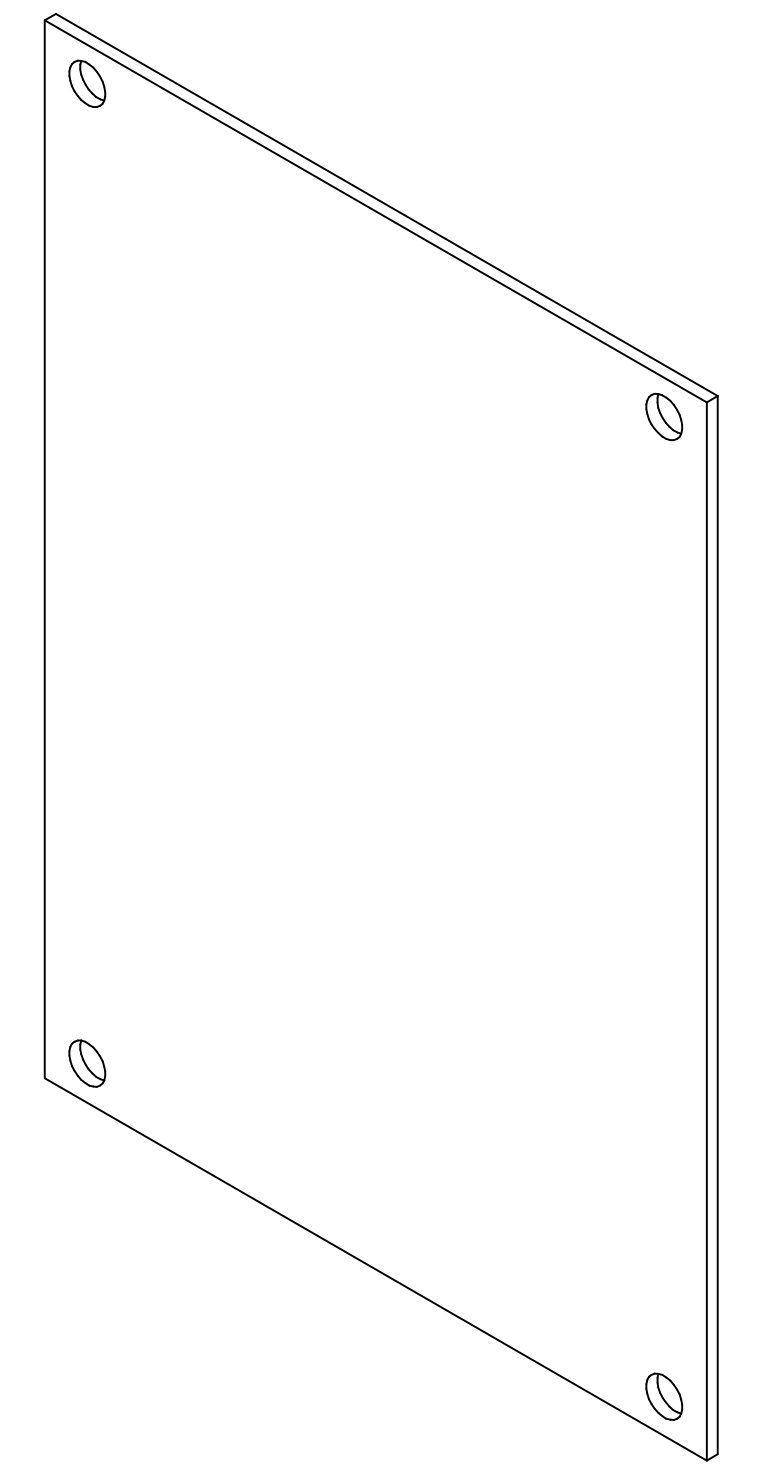
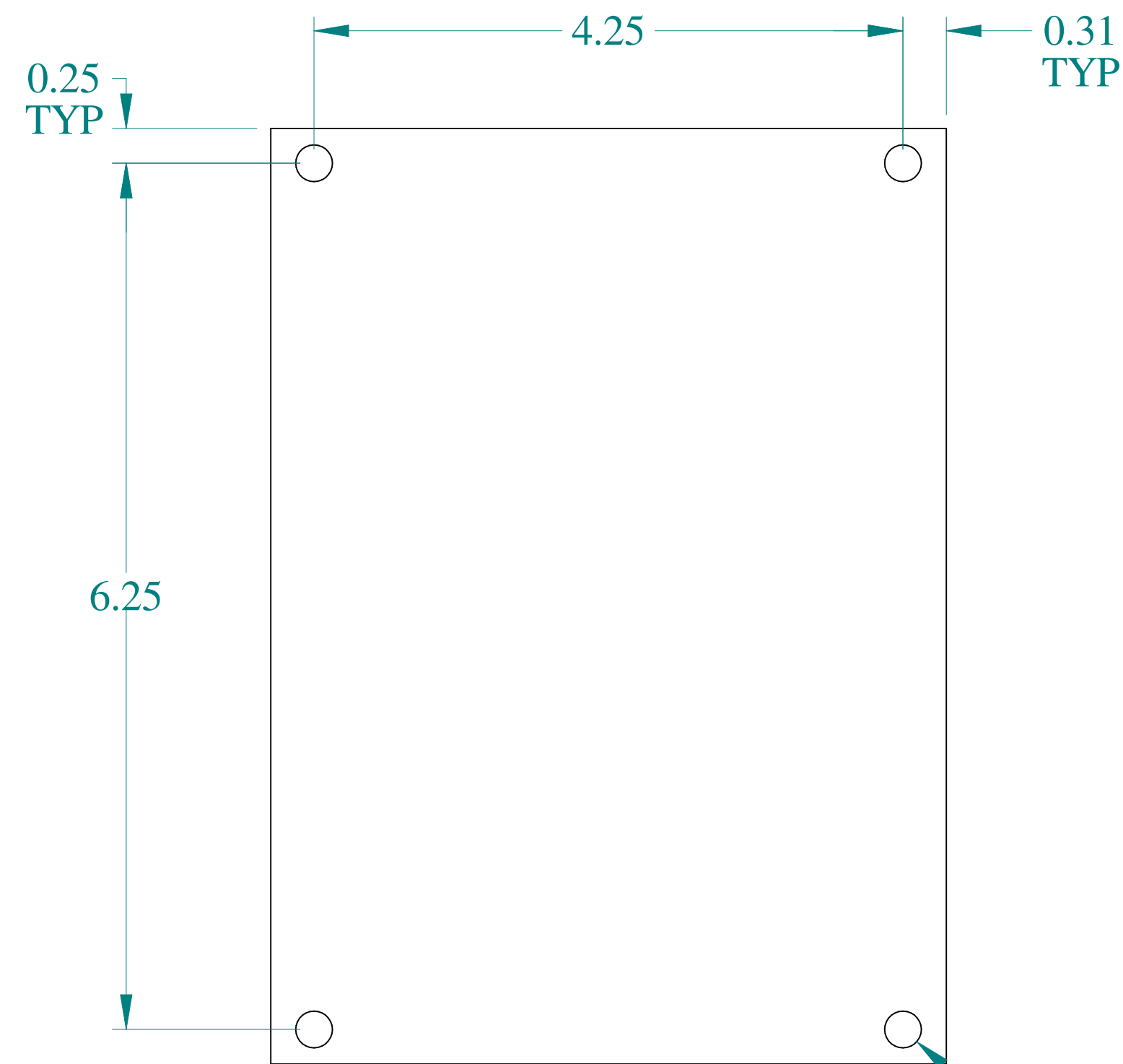




TOP VIEW



ISOMETRIC VIEW



FRONT VIEW

0.25  
TYP

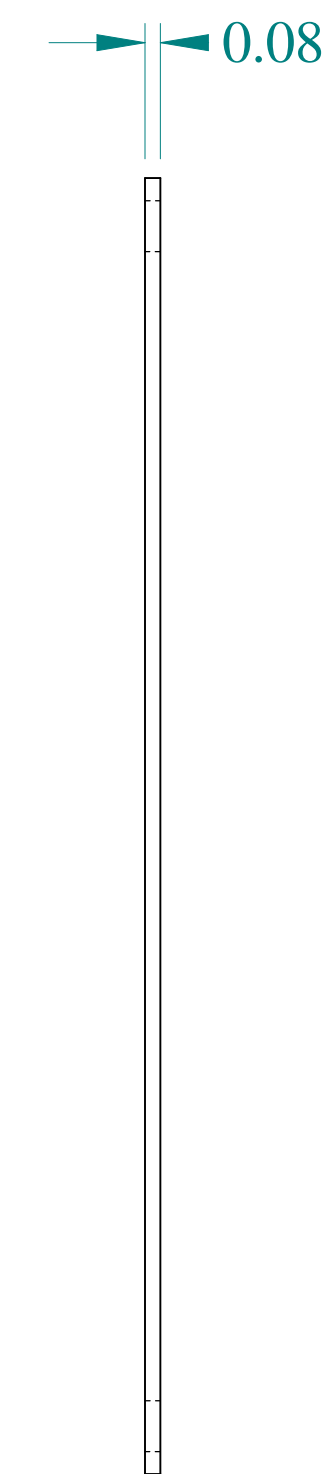
0.31  
TYP

Ø 0.27  
TYP (4)



SIDE VIEW

6.75



SIDE VIEW

0.08



Data subject to change without notice.

Part # : 14A0705

Date : Jan. 29, 2020

[Link:www.hammondmfg.com/14A0705](http://www.hammondmfg.com/14A0705)