

Siemens
EcoTech



LED module with integrated LED 6-24V AC/DC blue, Spring-loaded terminal, for front plate mounting



| | |
|--|--|
| product brand name | SIRIUS ACT |
| product designation | LED module |
| product type designation | 3SU1 |
| General technical data | |
| product component | |
| • diode | Yes |
| • lamp transformer | No |
| • light source | Yes |
| • series resistor | No |
| insulation voltage rated value | 320 V |
| degree of pollution | 3 |
| type of voltage of the operating voltage | AC/DC |
| • for actuation | AC/DC |
| surge voltage resistance rated value | 4 kV |
| consumed current maximum | 30 mA |
| protection class IP | |
| • of the enclosure | IP40 |
| • of the terminal | IP20 |
| shock resistance | |
| • according to IEC 60068-2-27 | sinusoidal half-wave 15g / 11 ms |
| • for railway applications according to EN 61373 | Category 1, Class B |
| vibration resistance | |
| • according to IEC 60068-2-6 | 10 ... 500 Hz: 5g |
| • for railway applications according to EN 61373 | Category 1, Class B |
| operating period typical | 100 000 h |
| reference code according to IEC 81346-2 | P |
| Substance Prohibitance (Date) | 10/01/2014 |
| SVHC substance name | Lead monoxide (lead oxide) - 1317-36-8 |
| Weight | 8 g |
| operating voltage | |
| • at AC | |
| — at 50 Hz rated value | 6 ... 24 V |
| — at 60 Hz rated value | 6 ... 24 V |
| • at DC rated value | 6 ... 24 V |
| relative positive tolerance of the operating voltage | 20 % |
| relative negative tolerance of the operating voltage | 20 % |
| Control circuit/ Control | |

| | |
|--|---|
| inrush current maximum | 2 A |
| Connections/ Terminals | |
| type of electrical connection | spring-loaded terminals |
| type of connectable conductor cross-sections | |
| <ul style="list-style-type: none"> • solid without core end processing • finely stranded with core end processing • finely stranded without core end processing • for AWG cables | 2x (0.25 ... 1.5 mm ²) 2x (0.25 ... 0.75 mm ²) 2x (0.25 ... 1.5 mm ²) 2x (24 ... 16) |
| connectable conductor cross-section finely stranded with core end processing | 0.25 ... 0.75 mm ² |
| Lamp | |
| type of light source | LED |
| color of the light source | blue |
| light intensity | 280 ... 710 mcd |
| ATEX | |
| certificate of suitability | |
| <ul style="list-style-type: none"> • ATEX • IECEx | No No |
| Ambient conditions | |
| ambient temperature | |
| <ul style="list-style-type: none"> • during operation • during storage | -25 ... +70 °C -40 ... +80 °C |
| environmental category during operation according to IEC 60721 | 3M6, 3S2, 3B2, 3C3, 3K6 (with relative air humidity of 10 ... 95%, no condensation in operation permitted) |
| Environmental footprint | |
| Environmental Product Declaration (EPD) | Yes |
| global warming potential [CO2 eq] total | 0.787 kg |
| global warming potential [CO2 eq] during manufacturing | 0.566 kg |
| global warming potential [CO2 eq] during operation | 0.235 kg |
| global warming potential [CO2 eq] after end of life | -0.015 kg |
| Siemens Eco Profile (SEP) | Siemens EcoTech |
| Installation/ mounting/ dimensions | |
| fastening method | |
| <ul style="list-style-type: none"> • of modules and accessories | Front plate mounting |
| height | 36 mm |
| width | 9.8 mm |
| depth | 29.4 mm |
| Approvals Certificates | |
| General Product Approval | EMV |



[Confirmation](#)



Test Certificates

other

Environment

[Type Test Certificates/Test Report](#)

[Special Test Certificate](#)

[Confirmation](#)



Siemens EcoTech



[Environmental Confirmations](#)

Further information

Information on the packaging

<https://support.industry.siemens.com/cs/ww/en/view/109813875>

Information- and Downloadcenter (Catalogs, Brochures,...)

<https://www.siemens.com/ic10>

Industry Mall (Online ordering system)

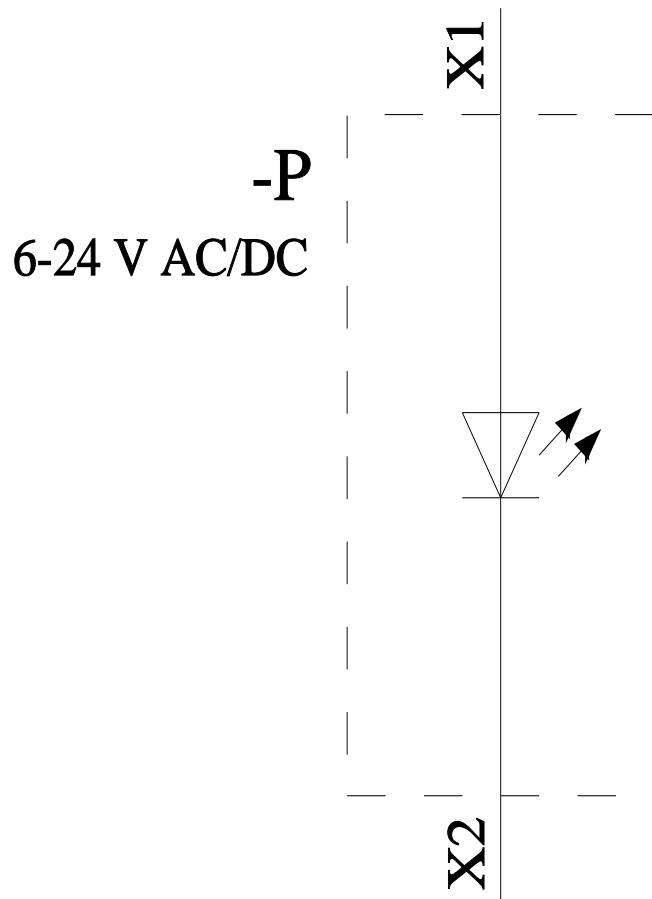
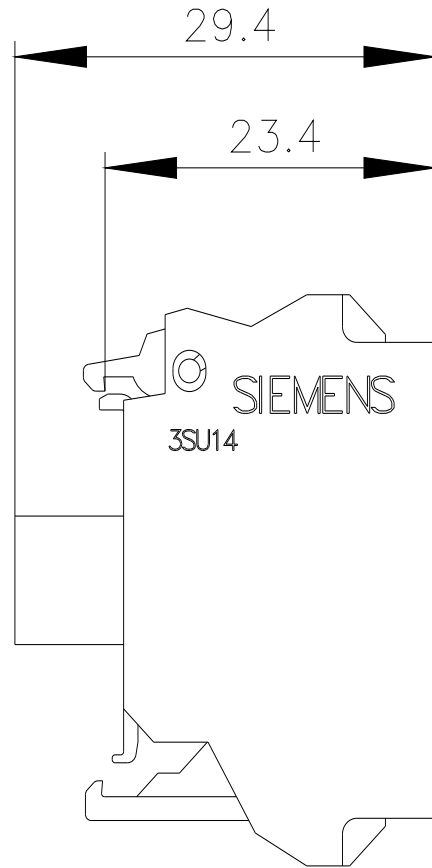
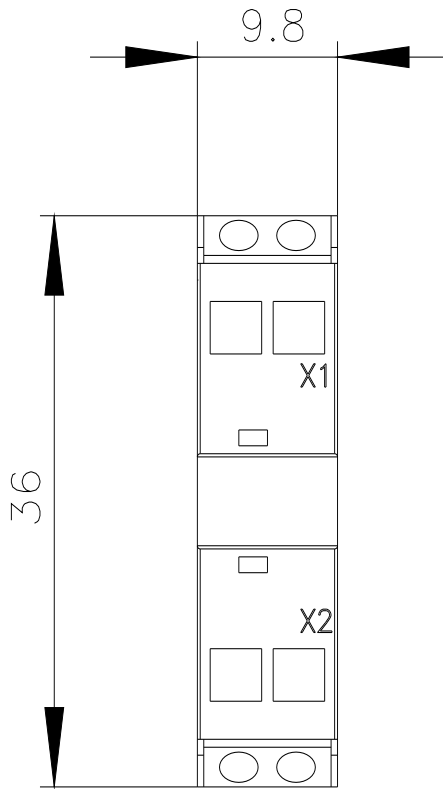
<https://mall.industry.siemens.com/mall/en/en/Catalog/product?mlfb=3SU1401-1BG50-3AA0>

Cax online generator

<http://support.automation.siemens.com/WW/CAXorder/default.aspx?lang=en&mlfb=3SU1401-1BG50-3AA0>

Service&Support (Manuals, Certificates, Characteristics, FAQs,...)

<https://support.industry.siemens.com/cs/ww/en/ps/3SU1401-1BG50-3AA0>



last modified:

3/11/2024 