

## Individual Spec Sheet

# LPDL™

## LED REGRESSED DOWNLIGHT

### 6" 5 CCT Selectable

### ORDERING INFORMATION

**Order code:** 70027  
**Model number:** LPDL6R/RG-12A-5CWH  
**UPC:** 069549031708  
**Case quantity:** 24

### PHYSICAL DATA

**Size in (cm):** 6 3/4 x 1 1/8 (17 x 2.8)  
**Shape:** Round  
**Finish:** White  
**Lens Type:** Frosted polycarbonate  
**Mounting:** Recessed

### PERFORMANCE DATA

**Watts (W):** 12  
**Volts (V AC):** 120  
**Color temperature (K)<sup>1</sup>:** 2 700/3 000/3 500/4 000/5 000  
**Lumen output (lm)<sup>2</sup>:** 1 200  
**Efficacy (lm/W):** 100  
**CRI:** 90+  
**Life L70 (h)<sup>3</sup>:** 50 000  
**Beam angle (°)** 110  
**Environment** Wet location  
**THD (%):** <20  
**Power factor:** >0.9  
**Cable rating:** FT4  
**Frequency (Hz):** 60  
**Operating temp. range:** -30 °C to 45 °C (-22 F° to 113 °F)  
**Dimmable:** Phase cut (ELV / Triac)

<sup>1</sup> Typical color temperature range: +/- 5 %.

<sup>2</sup> Lumen values are derived from Energy Star reported data. Initial lumens range: +/- 10 %.

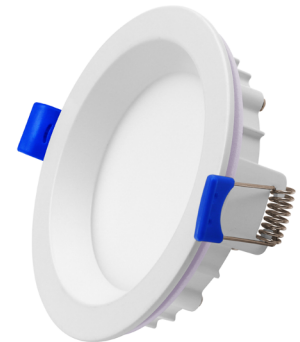
<sup>3</sup> Life hours are derived from IESNA LM-80 testing report and projected per IESNA TM-21 extrapolations.

### LUMEN SPECIFICATION TABLE

Watts	2 700 K		3 000 K		3 500 K		4 000 K		5 000 K	
	Lumen output (lm)	Efficacy (lm/W)	Lumen output (lm)	Efficacy (lm/W)	Lumen output (lm)	Efficacy (lm/W)	Lumen output (lm)	Efficacy (lm/W)	Lumen output (lm)	Efficacy (lm/W)
12	1 032	86	1 038	87	1 064	89	1 082	90	1 093	91

### DEFAULT PROGRAMMING

2 700 K



quick ship



LED fixture



dimmable



airtight



wet location



IC rated



ICES 005



Intertek



ENERGY STAR

This lighting equipment meets requirements of ICES-005 issue 5 class B for use in residential applications. Data is based upon tests performed in a controlled environment. Actual performance can vary depending on operating conditions. Specifications are subject to change without notice.

**ACCESSORIES (order separately)**

Order code	Model number	Type
66822 <sup>1</sup>	ACC/MPLATE/6.25IN/HANG.BARS/STD	Mounting plate with hanger bars
64921	RF/ACC/6/MOUNT.PLATE/ADJ/STD	Adjustable mounting plate
64263	ACC/MPLATE/6.25IN/SQR/STD	Square mounting plate
66144	ACC/6/VAPOR BARRIER/STD	Vapor barrier extender
68987	GOOF RING-6.25IN	Goof rings
64264 <sup>2</sup>	LPDL/ACC/6FT/EXTCABLE/STD	6' extension cord

<sup>1</sup> Includes brackets and screws.  
<sup>2</sup> Up to 6 FT4 extension cords can be connected together.

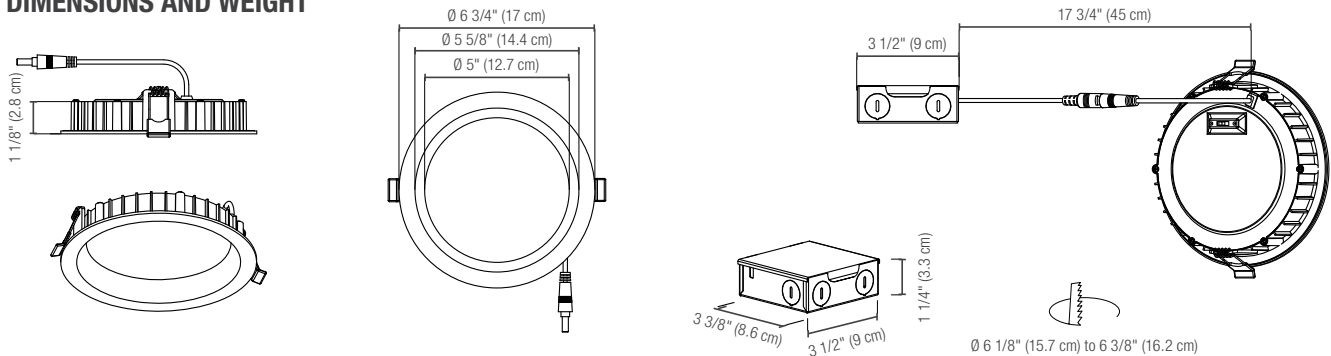
**COMPATIBLE DIMMERS<sup>1</sup>**

Brand	Model
Legrand	RH730PTUTC
Cooper	AAL06, DAL06P, SAL06P3
Leviton	6615, 6674, DDMX1, DSL06-1LZ, DSM10-1LZ, IPE04-1LZ, IPL06
Lutron	AYCL-253P, CTCL-153P, DVCL-153P, DVCL-253P, DVELV-300P, HCL453P, MACL-153P, PD-6WCL, SELV-300P

<sup>1</sup> This table shows dimmers that have been tested and have demonstrated proper operation under normal conditions. Each installation being unique, various factors such as load, common neutrals or other electrical products on the circuit can, in certain instances, cause variance in system performance. Read and comply to the dimmer installation instructions. Consult dimming system manufacturer for additional support in operation. Some dimmers may require more than one product for stable operation. Stanpro recommends to use dimmers designed to work with LED products. Older dimmers designed for incandescent products may cause erratic operation.

Dimming range: 10%-100%

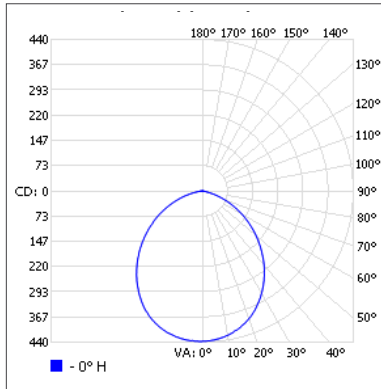
**DIMENSIONS AND WEIGHT**



**PHOTOMETRIC DATA<sup>1</sup>**

**70027 • LPDL6R-RG-12A-5CWH • 3 000 K • 1038.0 lm**

**Polar candela distribution**



**Zonal lumen summary**

Zone	Lumens	% Fixture
0-30	333.3	32.1
0-40	534.3	51.5
0-60	888.5	85.6
60-90	149.5	14.4
0-90	1 038.0	100

**Illuminance at a distance**

Center beam fc	Beam width	
	Vertical	Horizontal
1.7'	4.0'	4.0'
3.3'	7.8'	7.8'
5.0'	11.7'	11.7'
6.7'	15.7'	15.7'
8.3'	19.5'	19.5'
10.0'	23.5'	23.5'

■ Vert. spread: 99.2°  
■ Horiz. spread: 99.2°

<sup>1</sup> Complete IES files available on our website.

Qty	Description	Price

I accept the specifications of the luminaire configuration mentioned above.

Name: \_\_\_\_\_  
 Company: \_\_\_\_\_  
 Signature: \_\_\_\_\_

Date: \_\_\_\_\_

Data is based upon tests performed in a controlled environment. Actual performance can vary depending on operating conditions. All products are subject to change or may be discontinued any time without notice. Please contact your Stanpro customer service representative to confirm inventory levels at time of order.