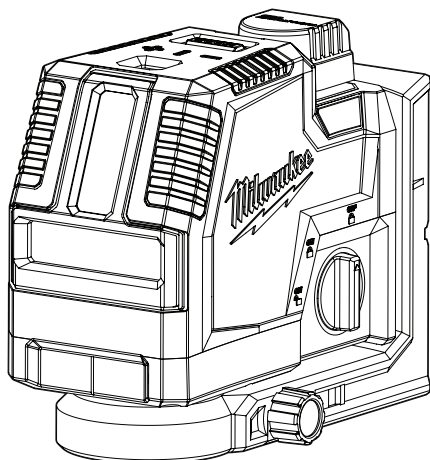
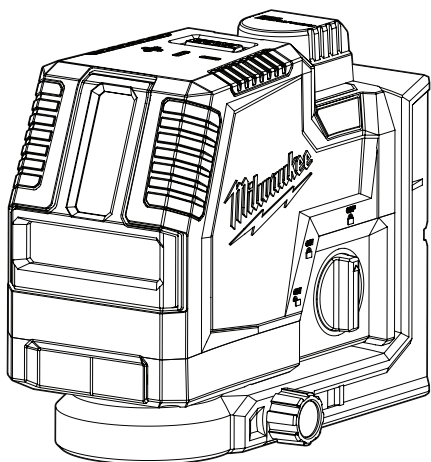




OPERATOR'S MANUAL
MANUEL de L'UTILISATEUR
MANUAL del OPERADOR



Cat. No. / No de cat.
3521-20, 3522-20

**REDLITHIUM® USB CROSS LINE LASER, CROSS LINE &
PLUMB POINTS LASER**

**REDLITHIUM® LASER A LIGNE TRANSVERSALE ET POINTS
D'APLOMB**

**LÁSER DE LÍNEA TRANSVERSAL, LÍNEA TRANSVERSAL
Y PUNTOS DE PLOMADA RECARGABLE MEDIANTE USB
REDLITHIUM®**



WARNING To reduce the risk of injury, user must read and understand operator's manual.

AVERTISSEMENT Afin de réduire le risque de blessures, l'utilisateur doit lire et bien comprendre le manuel.

ADVERTENCIA Para reducir el riesgo de lesiones, el usuario debe leer y entender el manual.

GENERAL POWER TOOL SAFETY WARNINGS

⚠WARNING Read and understand all instructions. Failure to follow all instructions listed below, may result in electric shock, fire and/or serious personal injury. **Save all warnings and instructions for future reference.**

• **Save these instructions** - This operator's manual contains important safety and operating instructions.

LASER SAFETY

⚠WARNING The device produces visible laser beams, which are emitted from the tool.

• This device complies with 21 CFR 1040.10 and 1040.11 except for conformance with IEC 60825-1 Ed. 3., as described in Laser Notice No. 56, dated May 8, 2019.

• **Laser light - Do not stare into beam or view directly with optical instruments. Do not point laser light at others.** Laser light can cause eye damage.

WORK AREA SAFETY

• **Ensure adequate safeguards at the work site (e.g. surveying site when measuring on roads, construction sites, etc.).**

• **Avoid dangerous environments.** Avoid extended exposure to rain, snow, damp or wet locations. Do not use in the presence of explosive atmospheres (gaseous fumes, dust or flammable materials).

PERSONAL SAFETY

• **Do not allow persons unfamiliar with the tool, these safety instructions, and the tool's operator's manual to operate the tool.** This tool can be dangerous in the hands of untrained users.

• **Do not overreach. Keep proper footing and balance at all times.** This enables better control of the tool in unexpected situations.

BATTERY USE AND CARE

• **USE AND CHARGE ONLY REDLITHIUM® USB BATTERIES IN THIS USB RECHARGEABLE TOOL.** OTHER TYPES OF BATTERIES MAY CAUSE PERSONAL INJURY AND DAMAGE.

• **BEFORE USING THE BATTERY AND TOOL, READ THIS OPERATOR'S MANUAL AND ALL LABELS ON THE BATTERY AND TOOL.**

• **USE ONLY WITH LISTED/CERTIFIED ITC POWER SUPPLY.** Others may result in a risk of fire, electric shock or personal injury.

• **CHARGE IN A WELL VENTILATED AREA.** Do not block charger vents. Keep them clear to allow proper ventilation. Do not allow smoking or open flames near a charging battery. Vented gases may explode.

• **MAINTAIN CORD.** When unplugging charger, pull plug rather than cord to reduce the risk of damage to the electrical plug and cord. Never carry charger by its cord. Keep cord from heat, oil and sharp edges. Make sure cord will not be stepped on, tripped over or subjected to damage or stress. Do not use charger with damaged cord or plug. Have a damaged charger replaced immediately.

• **USE ONLY RECOMMENDED ATTACHMENTS.** Use of an attachment not recommended or sold by the battery charger or battery manufacturer may result in a risk of fire, electric shock or personal injury.

• **TO REDUCE THE RISK OF ELECTRIC SHOCK,** always unplug charger before cleaning or maintenance.

• **DO NOT BURN OR INCINERATE BATTERY PACKS.** Battery may explode, causing personal injury or damage. Toxic fumes and materials are created when battery are burned.

• **DO NOT CRUSH, DROP, OR DAMAGE** battery. Do not use a battery or charger that has received a sharp blow, been dropped, run over, or damaged in any way (e.g., pierced with a nail, hit with a hammer, stepped on).

• **DO NOT DISASSEMBLE.** Incorrect reassembly may result in the risk of electric shock, fire or exposure to battery chemicals. If it is damaged, take it to a MILWAUKEE service facility.

• **BATTERY CHEMICALS CAUSE SERIOUS BURNS.** Never allow contact with skin, eyes, or mouth. If a damaged battery leaks battery chemicals, use rubber or neoprene gloves to dispose of it. If skin is exposed to battery fluids, wash with soap and water and rinse with vinegar. If eyes are exposed to battery chemicals, immediately flush with water for 20 minutes and seek medical attention. Remove and dispose of contaminated clothing.

• **DO NOT SHORT CIRCUIT.** A battery pack will short circuit if a metal object makes a connection between the positive and negative contacts on the battery pack. Do not place a battery pack near anything that may cause a short circuit, such as coins, keys or nails in your pocket. Do not allow fluids to flow into battery pack. Corrosive or conductive fluids, such as seawater, certain industrial chemicals, and bleach or bleach containing products, etc., can cause a short circuit. A short circuited battery pack may cause fire, personal injury, and product damage.

• **STORE YOUR BATTERY AND TOOL** in a cool, dry place. Do not store battery where temperatures may exceed 120°F (50°C) such as in direct sunlight, a vehicle or metal building during the summer.

SPECIFIC SAFETY RULES FOR LASER LEVELS

- Watch out for erroneous results if the tool is defective or if it has been dropped, misused or modified.
- Do not dispose of tool or batteries together with household waste material! Tool and batteries that have reached the end of their life must be collected separately and returned to an environmentally compatible recycling facility.
- The device conforms to the most stringent requirements of the relevant Electromagnetic Compatibility (EMC) Standards and Regulations. Yet, the possibility of causing interference in other devices cannot be totally excluded.

CAUTION Use of controls or adjustments or performance of procedures other than those specified herein may result in hazardous radiation exposure.

- Be sure to power off instrument after use. When instrument will not be used for a long period, place it in storage after removing batteries.
- Ensure tool magnets are securely mounted to a metal surface. Magnet strength may not hold on thin metal surfaces, causing the tool to fall.
- Always use common sense and be cautious when using tools. It is not possible to anticipate every situation that could result in a dangerous outcome. Do not use this tool if you do not understand these operating instructions or you feel the work is beyond your capability; contact Milwaukee Tool or a trained professional for additional information or training.
- Maintain labels and nameplates. These carry important information. If unreadable or missing, contact a MILWAUKEE service facility for a free replacement.





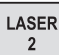





FCC Federal Communications Commission **WARNING** Changes or modifications to this unit not expressly approved by the party responsible for compliance could void the user's authority to operate the equipment.

This equipment has been tested and found to comply with the limits for a Class B digital device, pursuant to Part 15 of the FCC Rules. These limits are designed to provide reasonable protection against harmful interference in a residential installation. This equipment generates, uses and can radiate radio frequency energy and, if not installed and used in accordance with the instructions, may cause harmful interference to radio communications.

However, there is no guarantee that interference will not occur in a particular installation. If this equipment does cause harmful interference to radio or television reception, which can be determined by turning the equipment off and on, the user is encouraged to try to correct the interference by one or more of the following measures:

- Reorient or relocate the receiving antenna.
- Increase the separation between the equipment and receiver.
- Consult the dealer or an experienced radio/TV technician for help.

SYMBOLGY

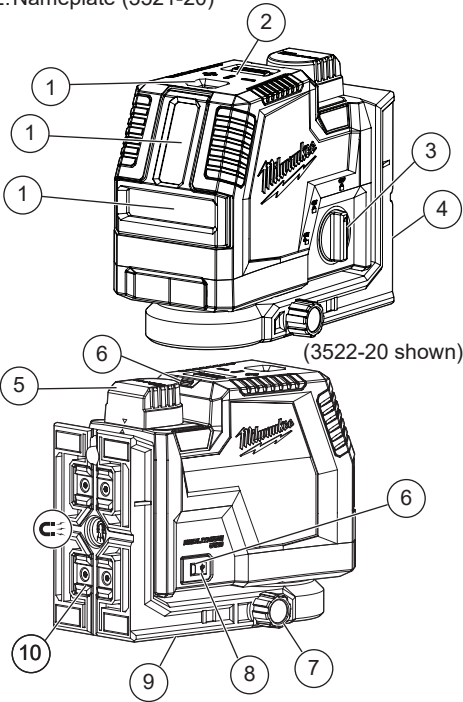
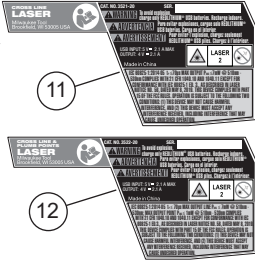
	Volts
	Direct Current
	Amps
	LASER RADIATION DO NOT STARE INTO BEAM CLASS 2 LASER PRODUCT
	
	
	Universal Serial Bus (USB)
	Magnets
	Read operator's manual
	Properly Recycle Batteries

SPECIFICATIONS

Cross Line.....	3521-20
Cross Line and Plumb Points.....	3522-20
USB Input Volts.....	5 DC
USB Input Amps.....	0.1 - 2.1 A
Output Volts.....	4 DC
Output Amps.....	2.1 A
REDLITHIUM® USB Batteries	
Volts.....	4 DC
Power Supply Cat. No.	48-59-1202
Laser.....	Class 2
Lines Max Power.....	$P_{AVG} \leq 7 \text{ mW}$
Points Max Power.....	$P_{AVG} \leq 1 \text{ mW}$
Frequency.....	10 KHz
Pulse Duration Normal Mode.....	$T_p \leq 70 \mu\text{s}$
Pulse Duration Power Save.....	$T_p \leq 50 \mu\text{s}$
Wavelength.....	510-530 nm
Lines Beam Divergence.....	1 rad
Points Beam Divergence.....	0.5 mrad
Storage Temp.....	-4°F to 120°F
Working Range.....	100'
Range with Detector.....	165'
Accuracy.....	$\pm 1/8" @ 33'$
Settle Time.....	< 3 Seconds
Tripod Mount.....	1/4"-20
Ingress Protection.....	IP54
Drop Rating.....	1 m
Leveling.....	Auto ± 4 side to side, front to back
Operating Temperature	
Battery and Charger.....	40°F to 104°F
Battery and Tool.....	14°F to 104°F

FUNCTIONAL DESCRIPTION

1. Laser apertures
2. Laser mode indicator
3. On/Off dial
4. Pivot Bracket
5. Battery compartment
6. Fuel gauge
7. Micro adjust
8. USB power outlet
9. Threaded insert
10. Magnets
11. Nameplate (3522-20)
12. Nameplate (3521-20)



BATTERY

WARNING To reduce the risk of fire, personal injury, and product damage due to a short circuit, never immerse your tool, battery pack or charger in fluid or allow a fluid to flow inside them. Corrosive or conductive fluids, such as seawater, certain industrial chemicals, and bleach or bleach containing products, etc., can cause a short circuit.

Maintenance and Storage

Do not expose your battery or cordless tools to water or rain, or allow them to get wet. This could damage the tool and battery. Do not use oil or solvents to clean or lubricate your battery. The plastic casing will become brittle and crack, causing a risk of injury.

Store batteries at room temperature away from moisture. Do not store in damp locations where corrosion of terminals may occur. As with other battery types, permanent capacity loss can result if the pack is stored for long periods of time at high temperatures (over 120° F). MILWAUKEE Li-Ion batteries maintain their charge during storage longer than other battery types. After about a year of storage, charge the battery as normal.

WARNING To reduce the risk of injury or explosion, never burn or incinerate a battery pack even if it is damaged, dead or completely discharged. When burned, toxic fumes and materials are created.

Disposing of MILWAUKEE Li-Ion Battery

MILWAUKEE Li-Ion batteries are more environmentally friendly than some other types of power tool batteries. Always dispose of your battery according to federal, state and local regulations. Contact a recycling agency in your area for recycling locations. Even discharged batteries contain some energy. Before disposing, use electrical tape to cover the terminals to prevent the battery from shorting, which could cause a fire or explosion.

RBRC Battery Recycling Seals

The RBRC™ Battery Recycling Seals (see "Symbology") on your batteries indicate that MILWAUKEE has arranged for the recycling of that battery with the Rechargeable Battery Recycling Corporation (RBRC). At the end of your battery's useful life, return the battery to a MILWAUKEE Branch Office/Service Center or the participating retailer nearest you. For more information, visit the RBRC web site at www.rbrc.org.

ASSEMBLY

⚠WARNING Use and charge only REDLITHIUM® USB batteries in this USB rechargeable tool. Other types of batteries may cause personal injury and damage.

Inserting the Battery

1. Twist the battery cap and remove.
2. Line up the arrow on the battery with the arrow in the compartment and fully insert the battery.
3. Replace the cap and twist to secure.

Charging the Battery

When the tool is turned on under battery power only, the remaining battery life is displayed:

Green Solid: 50-100% remaining

Yellow Solid: 11-49% remaining

Red Solid: 3-10% remaining

Red Flashing: 0-3% remaining LOW POWER MODE
To indicate LOW POWER MODE, the laser beams will dim, and the green laser mode indicator pulse, and the laser beams will blink quickly 3 times, followed by 4 seconds of solid on (repeating). Charge the battery.

To charge the battery:

1. Plug your USB cable into a power source such as an AC wall adaptor, computer, or car port.
2. Lift the rubber cover to expose the micro USB port. Insert the micro USB plug into the micro USB port. Users may experience longer charge times from laptops and other power sources.
3. When the laser level is charged when OFF, the indicator light will display the charging status:
Pulsing Red: Charging, 0-49% charged
Pulsing Yellow: Charging, 50-99% charged
Solid Green: 100% Charged.

Flashing Red/Green: USB cable inserted without battery installed & Damaged or Faulty Battery. If the light indicator flashes red and green, check that the battery is fully seated into the bay. Remove the battery and reinsert. If the light continues to flash red and green, the battery may be extremely hot or cold, or wet. Allow the battery to cool down, warm up, or dry out and then reinsert. If the problem persists, contact a MILWAUKEE service facility.

NOTE: When the laser level is charged during USE, the indicator light will be Pulsing Red (Continuous). When the USB cable is disconnected, the fuel gauge will display current battery life.

⚠WARNING To reduce the risk of injury or damage, securely mount/attach the laser before starting an operation. Injury/damage may occur if the laser falls.

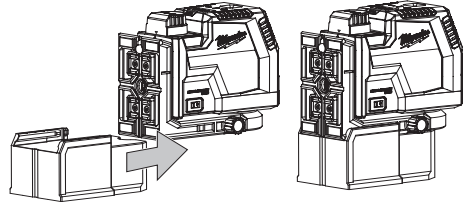
Mounting/Adjusting the Laser Level

The pivot bracket can be used to mount the laser level in multiple ways:

- Use the embedded magnets to secure the laser level to framing steel studs, steel beams, etc.
- Use the keyhole slot to hang the laser level on the wall with a nail or screw
- Set the laser level on a flat surface.
- Position the laser and/or wall mount on a stable surface.
- Use the 1/4" - 20 threaded insert to mount on a tripod
- Once the level is mounted, use the micro adjustment knobs to fine tune the laser line

Attaching/Removing the Riser (3522-20)

Use the riser to lift the laser level off the surface for use of the bottom plumb point, such as clearance over steel stud track. To attach the riser, slide the riser onto the pivot bracket from the rear until it locks into place. To remove the riser, hold the laser securely and firmly push the riser from the front.



OPERATION

⚠WARNING To reduce the risk of injury or temporary effects on vision, do not look directly into the laser when it is on.

⚠CAUTION Use of controls or adjustments or performance of procedures other than those specified herein may result in hazardous radiation exposure.

NOTICE Perform the Accuracy Field Check procedure immediately upon unboxing of each new Laser Level and before exposure to jobsite conditions. See "Accuracy Field Check" for information.

Turning On/Off

To turn on the laser and unlock the pendulum, rotate the On/Off dial to the desired position. The remaining battery life will be displayed. **WARNING!** Do not look directly into laser apertures. Laser Mode Indicator LED will display, and horizontal level line will immediately be emitted from aperture in the laser housing.

ON Turns ON the laser and unlocks the pendulum to enable self-leveling.

ON Turns ON the laser but does not unlock the pendulum (self leveling is disabled). The laser lines will flash once every 8 seconds to indicate that the projected lines are not level or plumb.

NOTICE: The **ON** mode disables self-leveling and therefore is not intended for projecting a level or plumb line.

OFF Turns OFF the laser and locks the pendulum. When not in use, turn off the tool and store the Laser Level in the protective carrying case.

Use the MODE button to cycle through the three laser modes:

Horizontal Level Line

Vertical Plumb Line

Perpendicular Level & Plumb Lines **

The green laser mode indicators will display the selected mode.

** Plumb points on Cat. No. 3522-20 only

Power Save

To put the tool into power save mode and extend the run time by dimming the laser, press and hold the MODE button for 3 seconds. Visual range is decreased in power save mode. Pressing MODE again for 3 seconds will deactivate power save if battery level is above 3%.

Using the Laser Level

- For best results, place the tool on a work surface that is:
 - sturdy
 - level (within 4 degrees of true level)
 - free of vibrations
 - 90° to the work area
- Turn on the tool.
- The tool will self-level when placed on surfaces within 4 degrees of true level.
- The tool is ready once the emitted lines are continuous and no longer moving on the work surface.
- If the tool cannot achieve a level state (i.e., the work surface is > 4 degrees off true level), the laser points will flash rapidly (3 flashes per second). Relocate or adjust the work surface.

Troubleshooting

If the tool does not turn on:

- Ensure battery is installed properly. Fuel gauge should indicate remaining charge when correctly installed.
- Ensure battery is charged.
- Ensure the tool's internal temperature is within specified operating ranges. If stored in excessive heat or cold, allow at least 2 hours to acclimate to ambient temperature before turning on the tool.

If problem persists, please contact a MILWAUKEE service facility for support.

ACCURACY FIELD CHECK

NOTICE Perform the Accuracy Field Check procedure immediately upon unboxing of each new Laser Level and before exposure to jobsite conditions. See "Accuracy Field Check" for information. Should any deviation from listed product accuracy be found, please contact a MILWAUKEE service facility. Failure to do so could result in rejection of warranty claim.

Influences on Accuracy

Ambient temperature gradients can impact laser accuracy. For accurate and repeatable results, the following procedure should be conducted with the laser elevated off the ground and placed in the center of the working area.

Abusive treatment of the Laser Level, such as excessive impacts from drop, can also lead to deviations in product accuracy.

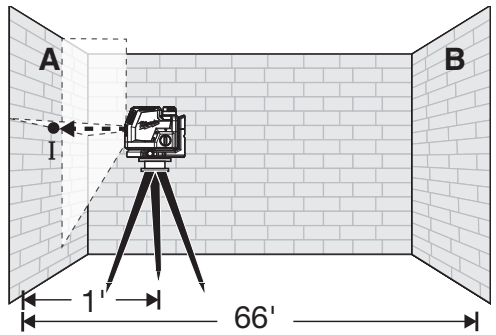
Therefore, it is recommended to conduct the Field Check procedure after any impact or before completing any critical jobs.

Horizontal Height Accuracy

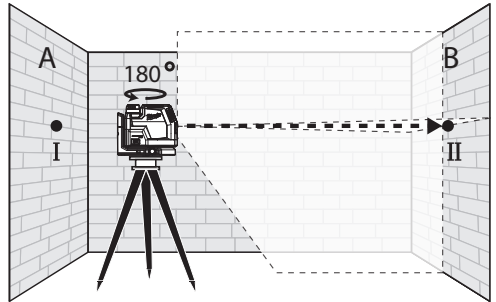
A free measuring distance of approximately 66' on a firm surface between two walls or structures A and B is required for this check.

It is also suggested to mount the Laser Level to a commercially available Tripod for easy adjustment.

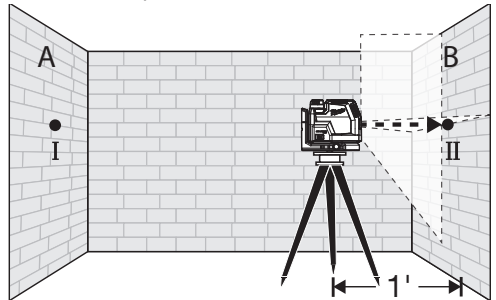
- Securely mount the tool within 1' of wall A.



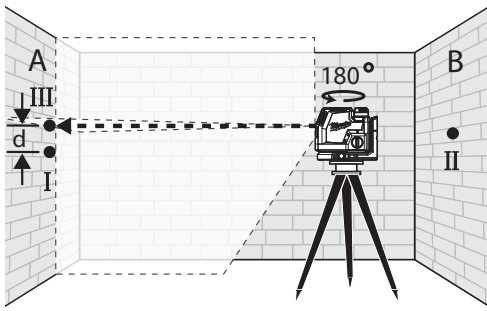
- Turn the tool to ON and to Perpendicular Level & Plumb Lines Mode.
- Direct the front laser beam against the nearest wall A and allow to self-level. Mark the center of the laser cross on the wall (point I).
- Rotate the tool 180° without changing the height, allow it to self-level, and mark the center of the laser cross on the opposite wall B (point II).



- Move the tool within 1' of wall B. Allow the laser to self level. Align the laser cross in the general direction of point II on wall B.



- Adjust the height of the tool (using the tripod or by adding shims, if required) to align the laser cross directly onto point II on wall B. Allow the tool to self-level.
- Rotate the tool 180° without changing the height, allow it to self-level, and mark the center of the laser cross on wall A (point III). Point III should be aligned as vertically above or below point I on wall A as possible.



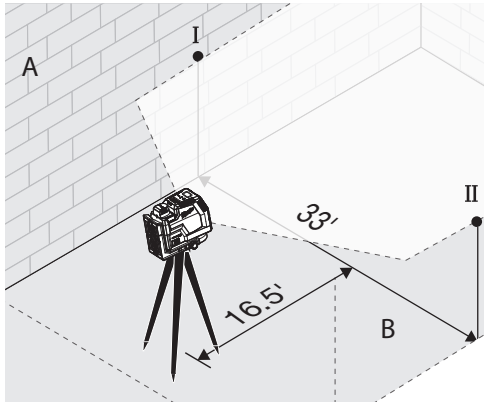
8. The distance between points I and III on wall A is the height deviation (d) of the tool. This distance should not exceed 1/8" (max.) at 33' (1/2" at 132'). For the Measuring distance of $2 \times 66' = 132'$, the maximum allowable deviation (d) is: $132' \times \pm 1/8" + 33' = \pm 1/2"$.

Horizontal Leveling Accuracy

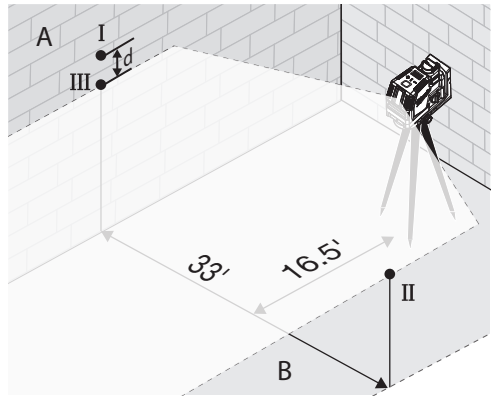
A free measuring space of approximately 33'x33' on a firm surface between two walls or structures A and B is required for the check.

It is also suggested to mount the Laser Level to a commercially available Tripod for easy adjustment. Securely mount the tool on one side of the room and centered between walls A and B. Direct the laser lines toward the other side of the room such that the horizontal line appears on both walls A and B. Allow the laser to Self-Level.

1. Turn the tool to ON and to Horizontal Level Line mode.
2. At a distance of 16.5' from the laser, mark the center of the horizontal line on Wall A (Point I). Do the same on Wall B (Point II).



3. Move the Laser 33' toward the opposite wall and rotate the laser 180°. Allow the laser to Self-Level.
4. Adjust the height of the tool (using the tripod or by adding shims, if required) such that the center of the horizontal line is projected exactly against the previously marked point II on wall B. Ensure the Laser is self-leveled after alignment.
5. Mark the center of horizontal line on wall A (point III). Take care that point III is aligned as vertical as possible above or below point I.
6. The distance d between marked points I and III on wall A indicates the actual deviation (d) of the tool.

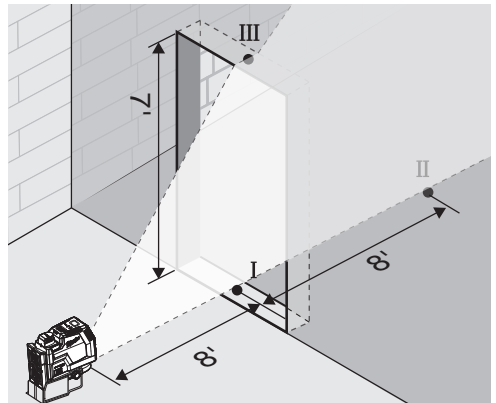


7. For the Measuring distance of $2 \times 33' = 66'$, the maximum allowable deviation (d) is: $66' \times \pm 1/8" + 33' = \pm 1/4"$. Thus, the difference d between points I and III should not exceed 1/4" (max.) at 66'.

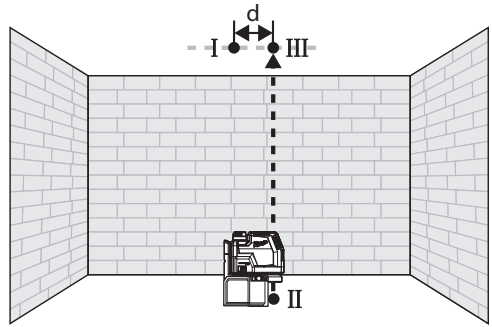
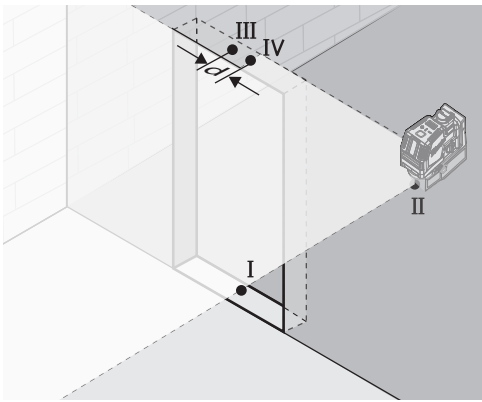
Vertical Leveling Accuracy

A door opening with approximately 8' of space on each side of the opening is required for this check.

1. Securely mount the tool 8' from one side of the door opening.
2. Turn the tool to ON and to Vertical Plumb Line Mode.
3. Position the tool with the laser towards the door opening. Allow the tool to self-level.
4. Mark the center of the vertical laser line on the floor in the middle of the door opening (point I), at a distance of 8' beyond the door opening (point II), and at the upper edge of the door opening (point III).



5. Move the laser level directly behind point II on the other side of the door. Align the vertical laser line so the center is directly aligned with points I and II.
6. Mark the center of the vertical line at the upper edge of the door opening (point IV).
7. Measure the height of the door opening.
8. The distance between points III and IV on the upper door opening is the vertical deviation (d) of the tool.

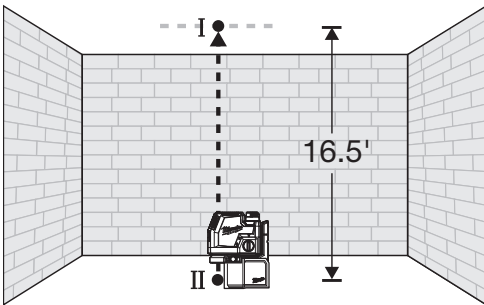


9. The maximum vertical deviation (d) is: $d_{max} = 2X H$ (door opening) $\times \pm 1/8" \div 33'$.
 Example: for a door opening height of 7', the maximum permitted deviation (d) is: $d_{max} = 2 \times 7' \times \pm 1/8" \div 33' = \pm 0.05"$.
 Therefore, the measurement between points III and IV on the upper door opening should not exceed 0.05" in a 7' doorway.

Plumb Dot Accuracy (3522-20)

A free measuring distance of approximately 33' between floor and ceiling on a firm surface is required for this check. It is suggested to install riser block, if not already equipped.

- Place the tool within 1' of the floor.
 Turn the tool to **ON** and to **⊥** Perpendicular Level & Plumb Lines Mode.
- Set tool on ground and mark the center of the plumb point on the ceiling (point I). Also, mark the center of the plumb point on the floor (point II).



- Rotate the tool 180°. Align the center point of the laser beam directly onto the floor point II.
- Mark the center of the top plumb point on the reference line on the ceiling (point III).

5. The distance between points I and III on the ceiling is the deviation (d) of the tool. This distance should not exceed 1/8" (max.) at 33'.
 For the Measuring distance of $2 \times 16.5' = 33'$, the maximum allowable deviation (d) is: $33' \times \pm 1/8" \div 33' = \pm 1/8"$.

MAINTENANCE

⚠ WARNING To reduce the risk of injury, always remove the battery before performing any maintenance. Never disassemble the tool.

Maintain Laser Level

Maintain tools. If damaged, have the tool repaired before use. Accidents may be caused by poorly maintained tools.

⚠ WARNING To reduce the risk of personal injury and damage, never immerse your tool in liquid or allow a liquid to flow inside them.

Cleaning

Clean dust and debris from any vents. Keep tool clean, dry and free of oil or grease. Use only mild soap and a damp cloth to clean, since certain cleaning agents and solvents are harmful to plastics and other insulated parts. Some of these include gasoline, turpentine, lacquer thinner, paint thinner, chlorinated cleaning solvents, ammonia and household detergents containing ammonia. Never use flammable or combustible solvents around tools.

Cleaning the Lenses

Blow off loose particles with clean compressed air. Carefully wipe the surface with a cotton swab moistened with water.

Repairs

For repairs, return the tool, battery pack and charger to the nearest authorized service center.

ACCESSORIES

⚠ WARNING Use tools only with specifically designated accessories. Use of any other accessories may create risk of injury.

SERVICE - UNITED STATES

1-800-SAWDUST (1.800.729.3878)

Monday-Friday, 7:00 AM - 6:30 PM CST

or visit www.milwaukeeetool.com

Contact Corporate After Sales Service Technical Support with technical, service/repair, or warranty questions.

Email: metproductsupport@milwaukeeetool.com

Become a Heavy Duty Club Member at www.milwaukeeetool.com to receive important notifications regarding your tool purchases.

SERVICE - CANADA

Milwaukee Tool (Canada) Ltd

1.800.268.4015

Monday-Friday, 7:00 AM - 4:30 PM CST

or visit www.milwaukeeetool.ca

LIMITED WARRANTY USA & CANADA

Every MILWAUKEE REDLITHIUM USB battery and charger* is warranted to the original purchaser only to be free from defects in material and workmanship. Subject to certain exceptions, MILWAUKEE will repair or replace repair a REDLITHIUM USB battery or charger which, after examination, is determined by MILWAUKEE to be defective in material or workmanship for a period of two (2) years after the date of purchase unless otherwise noted. Return of the REDLITHIUM USB battery or charger to a MILWAUKEE factory Service Center location or MILWAUKEE Authorized Service Station, freight prepaid and insured, is required. For the proper shipping procedure of battery packs, contact 1.800.SAWDUST (1.800.729.3878), or go to www.milwaukeeetool.com. A copy of the proof of purchase should be included with the return product. This warranty does not apply to damage that MILWAUKEE determines to be from repairs made or attempted by anyone other than MILWAUKEE authorized personnel, misuse, alterations, abuse, normal wear and tear, lack of maintenance, or accidents.

Normal Wear: This warranty does not cover repair or replacement when normal use has exhausted the life of a part including, but not limited to charging cables, and wall plugs.

*This warranty does not cover any cordless product sold with the REDLITHIUM USB battery and/or charger. There are separate and distinct warranties available for these products.

ACCEPTANCE OF THE EXCLUSIVE REPAIR AND REPLACEMENT REMEDIES DESCRIBED HEREIN IS A CONDITION OF THE CONTRACT FOR THE PURCHASE OF EVERY MILWAUKEE PRODUCT. IF YOU DO NOT AGREE TO THIS CONDITION, YOU SHOULD NOT PURCHASE THE PRODUCT. IN NO EVENT SHALL MILWAUKEE BE LIABLE FOR ANY INCIDENTAL, SPECIAL, CONSEQUENTIAL OR PUNITIVE DAMAGES, OR FOR ANY COSTS, ATTORNEY FEES, EXPENSES, LOSSES OR DELAYS ALLEGED TO BE AS A CONSEQUENCE OF ANY DAMAGE TO FAILURE OF OR DEFECT IN ANY PRODUCT INCLUDING, BUT NOT LIMITED TO, ANY CLAIMS FOR LOSS OF PROFITS. SOME STATES DO NOT ALLOW THE EXCLUSION OR LIMITATION OF INCIDENTAL OR CONSEQUENTIAL DAMAGES, SO THE ABOVE LIMITATION OR EXCLUSION MAY NOT APPLY TO YOU. THIS WARRANTY IS EXCLUSIVE AND IN LIEU OF ALL OTHER EXPRESS WARRANTIES, WRITTEN OR ORAL. TO THE EXTENT PERMITTED BY LAW, MILWAUKEE DISCLAIMS ANY IMPLIED WARRANTIES, INCLUDING WITHOUT LIMITATION ANY IMPLIED WARRANTY OF MERCHANTABILITY OR FITNESS FOR A PARTICULAR USE OR PURPOSE. TO THE EXTENT SUCH DISCLAIMER IS NOT PERMITTED BY LAW, SUCH IMPLIED WARRANTIES ARE LIMITED TO THE DURATION OF THE APPLICABLE EXPRESS WARRANTY AS DESCRIBED ABOVE. SOME STATES DO NOT ALLOW LIMITATIONS ON HOW LONG AN IMPLIED WARRANTY LASTS, SO THE ABOVE LIMITATION MAY NOT APPLY TO YOU. THIS WARRANTY GIVES YOU SPECIFIC LEGAL RIGHTS, AND YOU MAY ALSO HAVE OTHER RIGHTS WHICH VARY FROM STATE TO STATE.

This warranty applies to product sold in the U.S.A. and Canada only. Please consult the Find a Service Center Search in the Parts & Service section of MILWAUKEE's website www.milwaukeeetool.com or call 1.800.SAWDUST (1.800.729.3878) to locate your nearest MILWAUKEE factory Service Center location.

LIMITED WARRANTY USA & CANADA

Every MILWAUKEE power tool* (see exceptions below) is warranted to the original purchaser only to be free from defects in material and workmanship. Subject to certain exceptions, MILWAUKEE will repair or replace any part on an electric power tool which, after examination, is determined by MILWAUKEE to be defective in material or workmanship for a period of five (5) years** after the date of purchase unless otherwise noted. Return of the power tool to a MILWAUKEE factory Service Center location or MILWAUKEE Authorized Service Station, freight prepaid and insured, is required. A copy of the proof of purchase should be included with the return product. This warranty does not apply to damage that MILWAUKEE determines to be from repairs made or attempted by anyone other than MILWAUKEE authorized personnel, misuse, alterations, abuse, normal wear and tear, lack of maintenance, or accidents.

Normal Wear: Many power tools need periodic parts replacement and service to achieve best performance. This warranty does not cover repair when normal use has exhausted the life of a part including, but not limited to, chucks, brushes, cords, saw shoes, blade clamps, o-rings, seals, bumpers, driver blades, pistons, strikers, lifters, and bumper cover washers.

*This warranty does not cover Air Nailers & Staplers; Airless Paint Sprayer; Cordless Battery Packs; Gasoline Driven Portable Power Generators; Hand Tools; Hoist - Electric, Lever & Hand Chain; M12™ Heated Gear; Reconditioned Product; and Test & Measurement Products. There are separate and distinct warranties available for these products. **The warranty period for Job Site Radios, M12™ Power Port, M18™ Power Source, Jobsite Fan and Trade Titan™ Industrial Work Carts is one (1) year from the date of purchase. The warranty period for the M18 FUEL™ 1" D-Handle High Torque Impact Wrenches, Drain Cleaning Cables, AIRSNAKE™ Drain Cleaning Air Gun Accessories, REDLITHIUM™ USB Laser Levels, TRAPSNAKE™ 25' Auger w/ CABLE DRIVE™, FORCE LOGIC™ Press Tool Accessories and Green Cross Line Laser is two (2) years from the date of purchase. The warranty period for the M18™ Compact Heat Gun, 8 Gallon Dust Extractor, M18™ Framing Nailers, M18 FUEL™ 1/2" Ext. Anvil Controlled Torque Impact Wrench w/ ONE-KEY™, M18 FUEL™ 1" High Torque Impact Wrench w/ ONE-KEY™, M18 FUEL™ 2 Gal. Compact Quiet Compressor, M12™ Laser Levels, 165' Laser Detector, M12™ 23GA Pin Nailer, M18 FUEL™ 1/4" Blind Rivet Tool w/ ONE-KEY™, M12 FUEL™ Low Speed Tire Buffer, M18 FUEL™ Random Orbital Polishers, M18™ Utility Fencing Stapler, and the 72" Laser Tripod is three (3) years from the date of purchase. The warranty period for the LED in the LED Work Light and the LED Upgrade Bulb for the Work Light is the lifetime of the product subject to the limitations above. If during normal use the LED or LED Bulb fails, the part will be replaced free of charge. Warranty Registration is not necessary to obtain the applicable warranty on a MILWAUKEE power tool product. The manufacturing date of the product will be used to determine the warranty period if no proof of purchase is provided at the time warranty service is requested.

ACCEPTANCE OF THE EXCLUSIVE REPAIR AND REPLACEMENT REMEDIES DESCRIBED HEREIN IS A CONDITION OF THE CONTRACT FOR THE PURCHASE OF EVERY MILWAUKEE PRODUCT. IF YOU DO NOT AGREE TO THIS CONDITION, YOU SHOULD NOT PURCHASE THE PRODUCT. IN NO EVENT SHALL MILWAUKEE BE LIABLE FOR ANY INCIDENTAL, SPECIAL, CONSEQUENTIAL OR PUNITIVE DAMAGES, OR FOR ANY COSTS, ATTORNEY FEES, EXPENSES, LOSSES OR DELAYS ALLEGED TO BE AS A CONSEQUENCE OF ANY DAMAGE TO FAILURE OF OR DEFECT IN ANY PRODUCT INCLUDING, BUT NOT LIMITED TO, ANY CLAIMS FOR LOSS OF PROFITS. SOME STATES DO NOT ALLOW THE EXCLUSION OR LIMITATION OF INCIDENTAL OR CONSEQUENTIAL DAMAGES, SO THE ABOVE LIMITATION OR EXCLUSION MAY NOT APPLY TO YOU. THIS WARRANTY IS EXCLUSIVE AND IN LIEU OF ALL OTHER EXPRESS WARRANTIES, WRITTEN OR ORAL. TO THE EXTENT PERMITTED BY LAW, MILWAUKEE DISCLAIMS ANY IMPLIED WARRANTIES, INCLUDING WITHOUT LIMITATION ANY IMPLIED WARRANTY OF MERCHANTABILITY OR FITNESS FOR A PARTICULAR USE OR PURPOSE. TO THE EXTENT SUCH DISCLAIMER IS NOT PERMITTED BY LAW, SUCH IMPLIED WARRANTIES ARE LIMITED TO THE DURATION OF THE APPLICABLE EXPRESS WARRANTY AS DESCRIBED ABOVE. SOME STATES DO NOT ALLOW LIMITATIONS ON HOW LONG AN IMPLIED WARRANTY LASTS, SO THE ABOVE LIMITATION MAY NOT APPLY TO YOU. THIS WARRANTY GIVES YOU SPECIFIC LEGAL RIGHTS, AND YOU MAY ALSO HAVE OTHER RIGHTS WHICH VARY FROM STATE TO STATE.

This warranty applies to product sold in the U.S.A. and Canada only. Please consult the "Service Center Search" in the Parts & Service section of MILWAUKEE's website www.milwaukeeetool.com or call 1.800.SAWDUST (1.800.729.3878) to locate your nearest service facility for warranty and non-warranty service on a Milwaukee electric power tool.

RÈGLES DE SÉCURITÉ GÉNÉRALES RELATIVES AUX OUTILS ÉLECTRIQUES

⚠ AVERTISSEMENT Lire et veiller à bien comprendre toutes les instructions. Le non-respect des instructions ci-dessous peut entraîner un choc électrique, un incendie et des blessures graves. **Garder tous les avertissements et toutes les consignes à des effets de référence ultérieure.**

• **Conserver ces instructions** - Ce manuel d'utilisation contient d'importantes instructions de sécurité et de fonctionnement.

SÉCURITÉ DU LASER

Ce dispositif émet des faisceaux laser visibles, qui sont émis depuis l'outil.

• Ce dispositif est conforme à la norme 21 CFR 1040.10 et 1040.11, sauf la conformité à la norme IEC 60825-1 Ed. 3., tel que décrit dans la notice du laser n° 56, du 8 mai 2019.

• **Lampe laser** - Ne pas regarder directement dans le faisceau et ne pas voir dans le laser à l'aide d'instruments optiques. Ne pas diriger la lampe laser vers les autres. La lumière du laser peut causer des lésions oculaires.

SÉCURITÉ DU LIEU DE TRAVAIL

• **Veillez à vous assurer qu'il y ait les protections correspondantes au lieu de travail** (c'est-à-dire, surveiller le site lorsqu'on mesure les chemins, les chantiers de construction, etc.).

• **Éviter les environnements dangereux.** Ne pas exposer le dispositif à la pluie ou à la neige et ne pas l'utiliser dans un endroit humide ou mouillé. Ne pas utiliser le dispositif au milieu d'atmosphères explosives (où l'on trouve de fumées gazeuses, de la poussière ou bien, de matériaux inflammables).

SÉCURITÉ PERSONNELLE

• **Ne pas laisser personne n'ayant aucune idée de comment ce dispositif fonctionne s'approcher de l'outil, de ces instructions de sécurité et du manuel d'utilisation.** Cet outil pourra représenter un danger si utilisé par d'utilisateurs débutants.

• **Ne pas travailler hors de portée. Toujours se tenir bien campé et en équilibre.** Une bonne stabilité procure un meilleur contrôle de l'outil en cas de situation imprévue.

UTILISATION ET ENTRETIEN DE LA BATTERIE

• **UTILISER ET CHARGER UNIQUEMENT DE PILES RECHARGEABLES USB REDLITHIUM® AVEC CET OUTIL RECHARGEABLE PAR USB. LES BATTERIES D'AUTRES TYPES PEUVENT CAUSER DES DOMMAGES ET DES BLESSURES.**

• **AVANT D'UTILISER LA BATTERIE ET L'OUTIL, VEUILLEZ LIRE LE PRÉSENT MANUEL DE L'UTILISATEUR ET TOUTES LES ÉTIQUETTES QUI SE TROUVENT SUR LA BATTERIE ET L'OUTIL.**

• **UTILISER UNIQUEMENT AVEC UNE SOURCE D'ALIMENTATION ITE LISTÉE/CERTIFIÉE.** L'usage d'autres sources d'alimentation pourra entraîner un risque d'incendie, choc électrique ou de blessures physiques.

• **CHARGER DANS UNE AIRE BIEN VENTILÉE.** Ne pas bloquer les événements d'aération. S'assurer que les événements ne sont pas obstrués afin de permettre une ventilation correcte. Ne pas laisser ni de fumées ni de flammes sans contrôle auprès d'une pile qui se recharge. Les gaz à évent pourront exploser.

• **ENTRETIENIR LE CORDON.** Lorsque le chargeur est débranché, tirer plutôt de la fiche afin de minimiser le risque de dommages causés au cordon et à la fiche. Ne jamais prendre le chargeur par le cordon. Garder le cordon à l'écart de la chaleur, de l'huile et des objets tranchants. S'assurer que le cordon ne se trouve pas dans un endroit où il risque d'être piétiné, accroché, endommagé ou maltraité. Ne pas utiliser le chargeur si le cordon ou la fiche sont endommagés. Remplacer immédiatement tout chargeur endommagé.

• **UTILISER UNIQUEMENT LES ACCESSOIRES RECOMMANDÉS.** L'usage d'un accessoire non recommandé ou vendu par le fabricant du chargeur du bloc-piles ou celui du bloc-piles pourra entraîner un risque d'incendie, de choc électrique ou de blessures physiques.

• **AFIN DE MINIMISER LE RISQUE DE CHOC ÉLECTRIQUE,** toujours débrancher le chargeur avant d'entreprendre toute action de nettoyage ou d'entretien.

• **NE PAS BRÛLER NI INCINÉRER LES BLOCS-PILES.** La batterie pourra exploser et éclater, ce qui causera de blessures physiques et de dommages. Les vapeurs et les matériaux toxiques se produisent à partir de la brûlure de batteries.

• **NE PAS ÉCRASER, LAISSER TOMBER OU ENDOMMAGER** la batterie. Ne pas utiliser une batterie ou un chargeur qui ont subi un choc violent, ont été écrasés ou endommagés d'une quelconque manière (par exemple, s'ils ont été percés avec un trou, frappés avec un marteau ou piétinés).

• **NE PAS DESASSEMBLER LE PRODUIT.** Le remontage incorrect pourra entraîner de risques de choc électrique, d'incendie ou d'exposition aux produits chimiques qui se trouvent dans les batteries. Si jamais ils sont endommagés, confier les appareils à un centre de réparations MILWAUKEE.

• **LES PRODUITS CHIMIQUES DES BATTERIES POURRONT CAUSER DE BRÛLURES GRAVES.** Ne jamais laisser les produits chimiques entrer en contact avec la peau, les yeux ou la bouche. Si jamais de produits chimiques se coulent d'une batterie endommagée, porter de gants en néoprène ou en

caoutchouc pour se débarrasser d'elle. Si jamais la peau est exposée aux fluides de batteries, la laver à l'eau et au savon et rincer au vinaigre. Si jamais les yeux sont exposés aux produits chimiques de la batterie, rincer abondamment à l'eau pendant 20 minutes et consulter un médecin. Enlever et se débarrasser des vêtements contaminés.

NE PAS COURT-CIRCUITER. Un bloc-piles court-circuitera si un objet métallique établit une connexion entre les contacts positif et négatif du bloc-piles. Mettre le bloc-piles à l'écart de tout ce qui pourra causer un court-circuit, tel que des pièces de monnaie, des clés ou de clous dans votre poche. Ne pas laisser les fluides entrer dans le bloc-piles. Les fluides corrosifs et conducteurs, tels que l'eau de mer, quelques produits chimiques industriels et solutions d'eau de Javel ou d'autres produits ayant de l'hypochlorite, etc., pourront provoquer des courts-circuits. Un bloc-piles court-circuité pourra causer un incendie, des blessures physiques et endommager le produit.

ENTREPOSER VOTRE BATTERIE ET L'OUTIL dans un endroit frais et sec. Ne pas entreposer la batterie dans des endroits où la température peut dépasser 50° C (120° F), par exemple, un endroit exposé directement à la lumière du soleil, un véhicule ou une construction en métal pendant l'été.

RÈGLES DE SÉCURITÉ SPÉCIFIQUES POUR LES NIVEAUX LASER

Faire attention à toute action erronée qui résulte d'une anomalie dans l'outil ou bien, si l'outil est tombé, mal utilisé ou modifié.

Ne pas se débarrasser de l'outil et des batteries en les mettant avec les déchets ménagers ! L'outil et les batteries qui ont atteint leur durée de vie utile devront être ramassés indépendamment pour les retourner à une installation de recyclage respectueuse de l'environnement.

Le dispositif est conforme aux exigences les plus strictes des Normes et Réglementations de Compatibilité Électromagnétique (EMC). Néanmoins, il n'est pas tout à fait impossible que d'autres dispositifs causent de brouillage.

ATTENTION L'usage de contrôles, de réglages ou de procédures ne figurant pas dans ce manuel peut entraîner l'exposition à des rayonnements dangereux.

Veiller à mettre l'instrument hors tension après l'utilisation. Si l'instrument n'est pas utilisé pendant une longue période, l'entreposer après avoir retiré piles.

Veillez à vous assurer que les aimants de l'outil soient bien fixés à une surface en métal. Il est possible que la puissance de l'aimant l'empêche de se fixer sur de surfaces en métal fines, ce qui causera la chute de l'outil.

Toujours faire preuve de bons sens et procéder avec prudence lors de l'utilisation d'outils. C'est impossible de prévoir toutes les situations dont le résultat est dangereux. Ne pas utiliser cet outil si vous ne comprenez pas ces instructions d'opération ou si vous pensez que le travail dépasse votre capacité ; veuillez contacter Milwaukee Tool ou un professionnel formé pour recevoir plus d'information ou formation.

Maintenir en l'état les étiquettes et les plaques d'identification. Des informations importantes y figurent. Si elles sont illisibles ou manquantes, contacter un centre de services et d'entretien MILWAUKEE pour un remplacement gratuit.

FCC Federal Communications Commission
AVERTISSEMENT Toute modification apportée à l'unité qui n'a pas été expressément approuvée par le responsable de la conformité du produit pourrait suffire à révoquer le droit de l'utilisateur à se servir de l'équipement.

Après avoir effectué un essai à l'équipement, il a été déterminé que celui-ci est conforme aux normes relatives à un appareil numérique de classe B, selon la partie 15 des règles de la FCC. Ces limites sont conçues pour assurer une protection raisonnable contre les perturbations nuisibles dans une installation résidentielle. Cet équipement produit, utilise et peut irradier une énergie haute fréquence et, s'il n'est pas installé conformément aux présentes instructions, peut causer le brouillage des communications radio.

Toutefois, il n'existe aucune garantie que le brouillage ne se produira pas dans une installation donnée. Si cet équipement cause du brouillage de la réception d'émissions de radio ou de télévision, ce qui peut être déterminé en l'éteignant et en le rallumant, il est conseillé que l'utilisateur essaie de corriger le problème en prenant l'une ou plusieurs des mesures suivantes :

- Réorientation de l'antenne réceptrice.
- Augmentation de la distance entre le matériel et le récepteur.
- Consulter le concessionnaire ou un technicien radio/TV qualifié pour obtenir de l'aide.

PICTOGRAPHIE



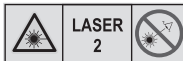
Volts



Courant direct



Ampérage



**RAYONNEMENT LASER
 NE PAS REGARDER
 DIRECTEMENT DANS LE
 FAISCEAU
 PRODUIT LASER DE
 CLASSE 2**



Bus série universel (USB)



Aimants



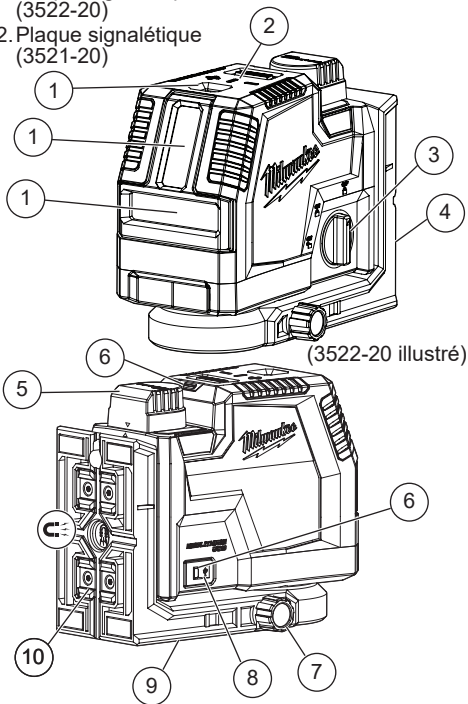
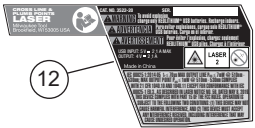
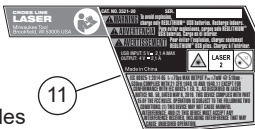
Lire le manuel d'utilisation



Properly Recycle
 Batteries

DESCRIPTION FONCTIONNELLE

1. Ouvertures laser
2. Indicateur de mode laser
3. Cadran I/O
4. Support de pivot
5. Compartiment des piles
6. Témoin de charge
7. Micro-réglages
8. Prise d'alimentation USB
9. Filet rapporté
10. Aimants
11. Plaque signalétique (3522-20)
12. Plaque signalétique (3521-20)



SPÉCIFICATIONS

Ligne transversale.....	3521-20
Ligne transversale et points d'aplomb..	3522-20
Tension d'entrée par USB.....	5 CD
Ampérage d'entrée par USB.....	0,1 à 2,1 A
Tension de sortie.....	4 DC
Ampérage de sortie.....	2,1 A

REDLITHIUM® USB Batteries

Volts.....	4 CD
No de Cat. de source d'alimentation..	48-59-1202
Laser.....	Classe 2
Puissance maximale de lignes.....	$P_{AVG} \leq 7 \text{ mW}$
Puissance maximale de points.....	$P_{AVG} \leq 1 \text{ mW}$
Fréquence.....	10 KHz
Mode quotidien de durée de pulse.....	$T_P \leq 70 \mu\text{s}$
Économie de puissance de durée de pulse.....	$T_P \leq 50 \mu\text{s}$
Longueur d'onde.....	510 à 530 nm
Divergence de faisceau de ligne.....	1 rad
Divergence de faisceau de points.....	0,5 mrad
Température d'entreposage.....	-20°C to 49°C (-4°F to 120°F)

Plage de travail.....	30,5m (100')
Plage à détecteur.....	50 m (165')
Précision.....	$\pm 3 \text{ mm } (\pm 1/8") \text{ à } 10 \text{ m } (33')$
Temps d'ajustage.....	< 3 secondes
Montage sur trépied.....	1/4"-20
Indice de protection.....	IP54
Coefficient de chute.....	1 m
Nivellement.....	Automatique de $\pm 4^\circ$ d'un côté à l'autre et de l'avant à l'arrière
Température de fonctionnement	Batterie et chargeur.....4°C à 40°C (40°F à 104°F)
	Batterie et outil..... -18°C à 65°C (0°F à 149°F)

BLOC-PILES

⚠ AVERTISSEMENT Pour réduire le risque d'incendie, de blessures corporelles et de dommages causés par un court-circuit, ne jamais immerger l'outil, le bloc-piles ou le chargeur dans un liquide ou laisser couler un fluide à l'intérieur de celui-ci. Les fluides corrosifs ou conducteurs, tels que l'eau de mer, certains produits chimiques industriels, les produits de blanchiment ou de blanchiment, etc., peuvent provoquer un court-circuit.

Entretien et entreposage

Ne pas exposer votre bloc-piles ni vos outils sans fil à l'eau ou la pluie, ou les laisser prendre l'humidité. Cela pourrait endommager l'outil et le bloc-piles. Ne pas utiliser d'huile ou solvants pour nettoyer ou lubrifier votre bloc-piles. Le boîtier du bloc-piles risque de devenir cassant ou de se fendiller, causant un risque de blessure.

Entreposer les blocs-piles à température ambiante à l'abri de l'humidité. Ne pas les entreposer dans un endroit humide où la corrosion des bornes peut survenir. Comme pour d'autres types de batteries, une perte permanente de capacité peut survenir si le bloc-piles est entreposé pendant longtemps à haute température (48°C/120°F). Les piles Li-ion MILWAUKEE maintiennent leur charge pendant plus longtemps que les autres types de piles. Après un an d'entreposage, rechargez le bloc-piles comme d'habitude.

⚠ AVERTISSEMENT Pour réduire le risque d'explosion, ne jamais brûler un bloc-piles, même s'il est endommagé ou complètement déchargé. Lorsqu'il est brûlé, des matières et vapeurs toxiques sont produites.

Mise au rebut du bloc-piles Li-ion MILWAUKEE

Les blocs-piles Li-ion MILWAUKEE sont plus écologiques que d'autres types de piles pour outils portables. Mettre au rebut votre bloc-piles conformément aux réglementations locales, nationales et fédérales. Contacter une agence de recyclage dans votre région pour les lieux de recyclage. Même déchargés, les blocs-piles contiennent un peu d'énergie. Avant la mise au rebut, utiliser du ruban isolant pour recouvrir les contacts pour empêcher la mise en court-circuit, laquelle pourrait causer un incendie ou une explosion.

Sceaux de recyclage des blocs-piles RBRC

Les sceaux de recyclage des batteries RBRC™ (voir « Symbologie ») sur vos blocs-piles indiquent que MILWAUKEE a pris des dispositions pour le recyclage de ce bloc-piles avec la Société de recyclage des piles rechargeables (RBRC). A la fin de la durée de vie utile du bloc-piles, le retourner à une succursale ou un centre de service MILWAUKEE ou au détaillant participant le plus proche de chez vous. Pour plus d'informations, consulter le site Web de RBRC www.rbrc.org.

ASSEMBLAGE

⚠ AVERTISSEMENT Utiliser et charger uniquement les batteries rechargeables par USB REDLITHIUM® avec cet outil rechargeable par USB. Les batteries d'autres types peuvent causer des dommages et des blessures.

Mise en place de la batterie

1. Faire tourner le bouchon et le retirer.
2. Aligner la flèche qui se trouve dans la batterie sur la flèche qui est montrée dans le compartiment et bien insérer la batterie.
3. Faire tourner le bouchon fermement.

Chargement de la batterie

Lorsque la pile est allumée et fonctionne à batterie, la durée restante de la batterie sera affichée

Vert fixe : 50 à 100% restant

Jaune fixe : 11 à 49% restant

Rouge fixe : 3 à 10% restant

Rouge clignotant : 0 à 3% restant et MODE DE BASSE PUISSANCE

Pour laisser l'utilisateur savoir que le MODE DE BASSE PUISSANCE est actif, les faisceaux du laser se rendront affaiblis et l'indicateur de mode laser vert et les faisceaux de laser clignoteront rapidement 3 fois, suivi de 4 secondes d'illumination fixe (répété). Charger la batterie.

Pour charger la batterie pendant que le laser est éteint :

1. Brancher votre câble USB à une source d'alimentation telle qu'un adaptateur mural de CA, un ordinateur ou bien, un port de voiture.
2. Enlever le capuchon en caoutchouc pour exposer le port micro USB. Insérer la fiche micro USB dans le port micro USB. Les utilisateurs pourront voir de durées de chargement plus longues avec d'ordinateurs et d'autres sources d'alimentation.

3. Lorsque que le niveau laser est chargé quand il est ÉTEINT, le témoin luminescent affichera l'état de la charge :

Rouge clignotant : En chargement, 0 à 49% chargée

Jaune clignotant : En chargement, 50 à 99% chargée

Vert fixe : 100% chargée.

Vert/rouge clignotant : Le câble USB est inséré sans avoir mise en place une batterie, la batterie est endommagée ou défectueuse. Si le témoin clignote en rouge et vert, vérifier que la pile soit bien mise dans son compartiment. Retirer la pile et veuillez la remettre sur place. Si le témoin continue à clignoter en rouge et vert, la pile est trop chaude, trop froide ou bien, humide. Laisser la pile refroidir, réchauffer ou sécher avant de la remettre. Si cela se produit, contacter un centre de service MILWAUKEE.

REMARQUE : Lorsque le niveau laser est chargée pendant son USAGE, le témoin luminescent s'allumera en rouge clignotant (continu). Lorsque le câble USB est débranché, le témoin de charge affichera la durée de la batterie réelle.

⚠ AVERTISSEMENT Afin de minimiser le risque de blessures et dommages, monter/attacher fermement le laser avant d'entreprendre une opération. Des blessures/dommages pourront survenir si le laser tombe.

Montage/ajustage du niveau laser

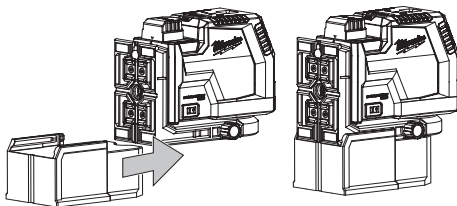
C'est possible d'utiliser le support de pivot pour monter le niveau laser de plusieurs manières :

- Utiliser les aimants intégrés pour fixer le niveau laser sur les goujons en acier d'encadrement, les poutres en acier, etc.
- Se servir de la rainure de plots de support pour accrocher le niveau laser sur le mur à l'aide d'une vis ou d'un clou
- Mettre le niveau laser sur une surface plate.
- Mettre le laser et/ou la plaque de montage murale sur une surface stable.
- Se servir d'un filet rapporté de 6 mm (1/4" - 20) pour le monter sur un trépied
- Une fois le niveau est monté, utiliser les boutons de micro-réglage pour affiner la ligne laser

Mise en place/enlèvement du rehausse

(3522-20)

Se servir du rehausse pour soulever le niveau laser sur la surface afin d'utiliser le point d'aplomb inférieur, tel qu'un dégagement sur le rail de goujons en acier. Pour attacher le rehausse, le glisser sur le support de pivot depuis l'arrière jusqu'à ce qu'il soit verrouillé en place. Pour enlever le rehausse, détenir le laser d'une façon sécuritaire et le pousser fermement dès la partie avant.



MANIEMENT

AVERTISSEMENT Afin de minimiser le risque de blessures ou d'effets temporaires de vision, ne pas regarder directement dans le laser lorsqu'il est allumé.

ATTENTION L'usage de contrôles, de réglages ou de procédures ne figurant pas dans ce manuel peut entraîner l'exposition à des rayonnements dangereux.

AVIS Effectuer une révision de précision sur le champ au moment où chaque niveau laser est sorti de sa boîte et avant de l'exposer aux conditions du chantier. Pour de plus amples renseignements, voire la section « Vérification de précision sur champ ».

Mise en marche et à l'arrêt

Pour allumer le laser et déverrouiller le pendule, tourner le cadran I/O vers la position désirée. La durée restante de la charge s'affichera. **AVERTISSEMENT !** Ne pas regarder directement aux ouvertures du laser. Le témoin à DEL de l'indicateur de mode laser s'affichera et la ligne horizontale du niveau sera immédiatement émise depuis l'ouverture de la boîte du laser.

ON ALLUME le laser et déverrouille le pendule à des effets de mise de niveau automatique.

ON ALLUME le laser, mais le pendule n'est pas déverrouillé (la mise de niveau automatique est désactivée). Les lignes du laser clignoteront une fois toutes les 8 secondes pour vous laisser savoir que les lignes projetées ne sont pas nivelées ou en aplomb. **AVIS** : Le mode ON rend inactive la mise de niveau automatique. Alors, ceci n'est pas conçu pour la projection d'un niveau ou d'une ligne d'aplomb.

OFF ÉTEINT le laser et verrouille le pendule. Lorsqu'il n'est pas utilisé, éteindre l'outil et ranger le niveau laser dans l'étui protectif de transport.

Se servir du bouton MODE pour naviguer entre les trois modes de laser :

- ☐ Ligne du niveau horizontale
- ⊥ Ligne d'aplomb verticale
- ⊕ Niveau perpendiculaire et lignes d'aplomb **

Les témoins de mode de laser vert afficheront le mode choisi.

** Points d'aplomb uniquement dans le No de Cat. 3522-20

Économie d'énergie

Pour activer le mode d'économie d'énergie de l'outil et prolonger la durée de fonctionnement en réduisant la puissance lumineuse du laser, appuyer sur le bouton de MODE et le tenir enfoncé pendant 3 secondes. La plage visuelle est mineure dans le mode d'économie d'énergie. Appuyer sur le bouton MODE encore une fois pendant 3 secondes pour désactiver le mode d'économie d'énergie, au cas où le niveau de batterie est auprès 3%.

Usage du niveau laser

1. Afin d'achever les meilleurs résultats, mettre l'outil sur une surface de travail qui soit :
 - firme
 - nivelée (environ 4 degrés du niveau réel)
 - exempte de vibrations
 - 90° vers l'aire de travail
2. Allumer l'outil.
3. L'outil se mettra de niveau automatiquement lorsqu'il est placé sur de surfaces se trouvant auprès de 4 degrés du niveau réel.
4. L'outil sera prêt une fois que les lignes émises sont continues et ne se bougent plus sur la surface de travail.
5. Si l'outil n'arrive pas à achever un état de nivellement (c'est-à-dire, la surface de travail est > 4 degrés hors du niveau réel), les points du laser clignoteront vite (3 flashes par seconde). Ajuster ou rajuster la surface de travail.

Dépannage

Si l'outil ne s'allume pas :

- S'assurer que la batterie ait été bien mise. L'indicateur de charge montrera la charge restante tout fois qu'elle ait été bien mise en place.
- S'assurer que la batterie soit chargée.
- S'assurer que la température interne de l'outil se trouve auprès des plages de fonctionnement indiquées. Si l'outil a été rangé dans de conditions de chaleur ou froid extrême, le laisser, pendant deux heures, s'ajuster à la température ambiante avant de l'allumer.

Si le problème persiste, contacter une installation de réparations MILWAUKEE à des fins d'assistance.

REVISION DE PRECISION SUR CHAMP

AVIS Effectuer une révision de précision sur le champ au moment où chaque niveau laser est sorti de sa boîte et avant de l'exposer aux conditions du chantier. Pour de plus amples renseignements, voire la section « Vérification de précision sur champ ». Si jamais une anomalie est trouvée par rapport à l'efficacité listée du produit, veuillez contacter un centre de réparations MILWAUKEE. La faute de cette procédure pourra entraîner le rejet de la réclamation de la garantie.

Influences sur la précision

Les gradients de la température ambiante pourront affecter la précision du laser. Afin d'achever de résultats précis et reproductibles, il faut suivre les étapes de la procédure suivante en tenant le laser élevé du sol et mis au milieu de l'aire de travail.

L'usage abusif du niveau laser, tel que les impacts excessifs à cause de chutes, pourront aussi causer de déviations dans la précision du produit.

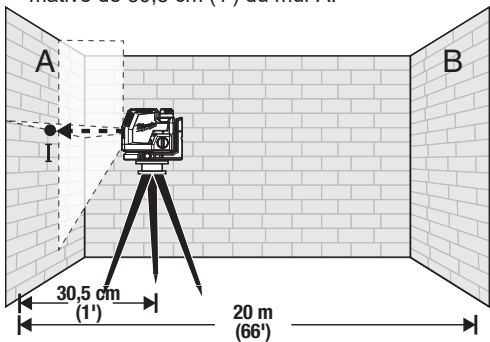
Il est donc conseillé d'effectuer la procédure de vérification sur champ après tout choc et avant d'entreprendre toute tâche critique.



Précision de hauteur horizontale

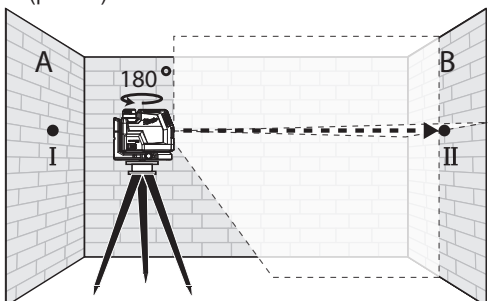
Pour effectuer cette vérification, une jauge de distance de mesure approximative de 20 m (66') dans une surface firme entre deux murs ou structures A et B est requise.

Il est aussi conseillé de monter le niveau laser sur un trépied commercial à des fins d'un ajustage facile.

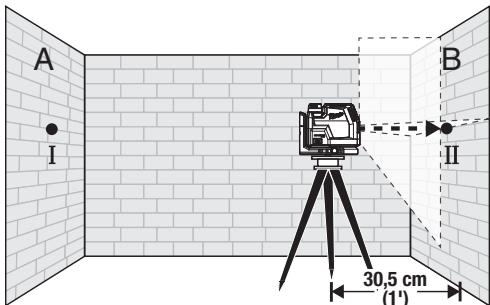
1. Monter fermement l'outil à une distance approximative de 30,5 cm (1') du mur A.



2. Tourner l'outil en le mettant dans la position , dans le mode de ligne d'aplomb et niveau perpendiculaire .
3. Diriger le faisceau avant du laser en direction du mur A le plus proche et laisser l'outil parvenir à se mettre de niveau automatiquement. Marquer le centre de l'intersection du laser sur le mur (point I).
4. Tourner l'outil de 180° sans changer la hauteur, le laisser parvenir à se mettre de niveau automatiquement et marquer le centre de l'intersection du laser sur le mur B qui se trouve de l'autre côté (point II).

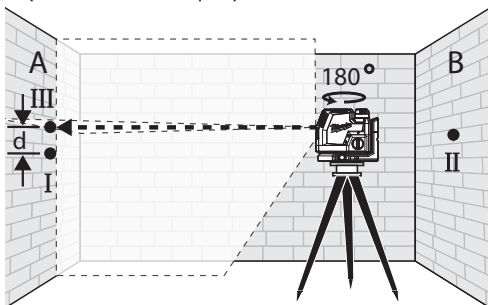


5. Déplacer l'outil auprès de 30,5 cm (1') du mur B. Laisser le laser parvenir à se mettre de niveau automatiquement. Aligner l'intersection du laser vers la direction générale du point II qui se trouve sur le mur B.



6. Ajuster la hauteur de l'outil (à l'aide du trépied ou en ajoutant de cales, si nécessaire) afin d'aligner l'intersection du laser directement sur le point II qui se trouve sur le mur B. Laisser l'outil parvenir à se mettre de niveau automatiquement.

7. Tourner l'outil de 180° sans changer la hauteur, le laisser parvenir à se mettre de niveau automatiquement et marquer le centre de l'intersection du laser sur le mur A (point III). Le point III devra être aligné aussi vertical, au-dessous ou au-dessus du point I du mur A, que possible.





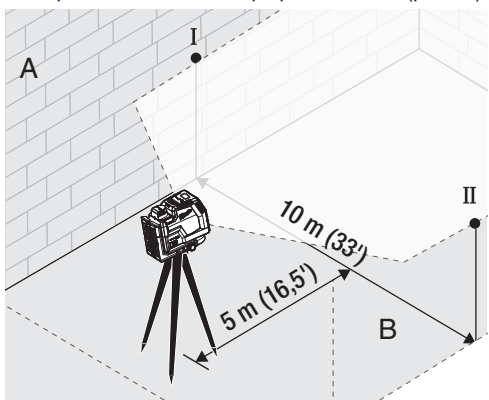
8. La distance entre les points I et III sur le mur A représente la déviation (d) de hauteur de l'outil. Cette distance ne devra pas dépasser 6 mm (1/8") (max.) à 91 cm (3') (13 mm [1/2"] à 40 m [132']). Par rapport à la distance de mesure de $2 \times 20 \text{ m} [66'] = x \text{ } 40 \text{ m} [132']$, la déviation maximale permise (d) est: $40 \text{ m} [132'] \times \pm 6 \text{ mm} (\pm 1/8") + 10 \text{ m} [33'] = 13 \text{ mm} (\pm 1/2")$

Précision de nivellement horizontal

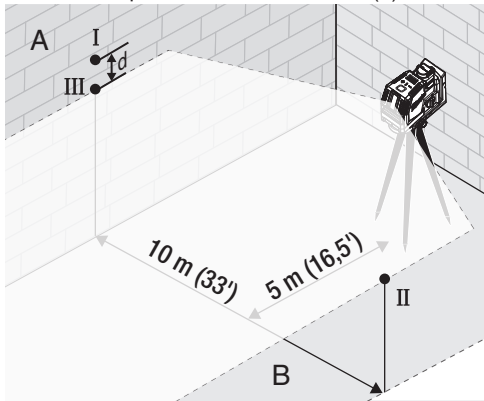
Pour effectuer cette vérification, une jauge d'espace de mesure approximative de 10 m x 10 m (33'x33') dans une surface ferme entre deux murs ou structures A et B est requise.

Il est aussi conseillé de monter le niveau laser sur un trépied commercial à des fins d'un ajustage facile. Monter fermement l'outil dans un côté de la pièce et le centrer entre les murs A et B. Diriger les lignes du laser vers l'autre côté de la pièce, d'une façon telle que la ligne horizontale se montre sur tous les deux murs, A et B. Laisser l'outil parvenir à se mettre de niveau automatiquement.

1. Tourner l'outil vers la position , dans le mode de ligne de niveau horizontale .
2. À une distance de 5 m (16,5') du laser, marquer le centre de la ligne horizontale sur le mur A (point I). Répéter cette même étape pour le mur B (point II).





- Déplacer le laser de 10 m (33') en direction de l'autre mur et tourner le laser de 180°. Laisser le laser parvenir à se mettre de niveau automatiquement.
- Ajuster la hauteur de l'outil (à l'aide du trépied ou en ajoutant de cales, si nécessaire) d'une façon telle que le centre de la ligne horizontale soit projeté exactement sur le point II marqué auparavant sur le mur B. Veuillez s'assurer que le laser parvienne à se mettre de niveau automatiquement après l'alignement.
- Marquer le centre de la ligne horizontale sur le mur A (point III). Veuillez prendre soin de que le point III s'aligne, autant vertical que possible, sur le point I ou au-dessus du ce point.
- La distance d entre les points I et III marqués sur le mur A représente la déviation réel (d) de l'outil.

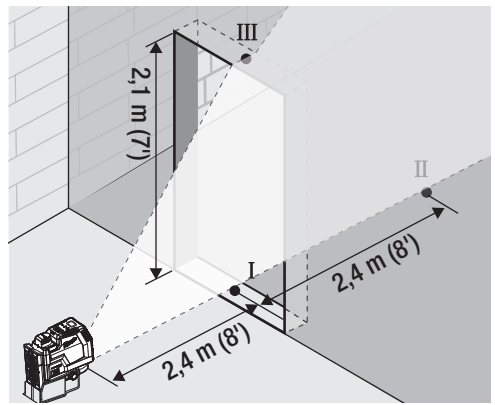


- Par rapport à la distance de mesure de 2 x 10 m (33') = 20 m (66'), la déviation maximale permise (d) est : $20 \text{ m (66')} \times \pm 6 \text{ mm } (\pm 1/8'') \div 10 \text{ m (33')} = 13 \text{ mm } (\pm 1/4'')$ La différence d maximale entre les points I et III ne doit donc pas dépasser les 1/4" à 20 m (66').

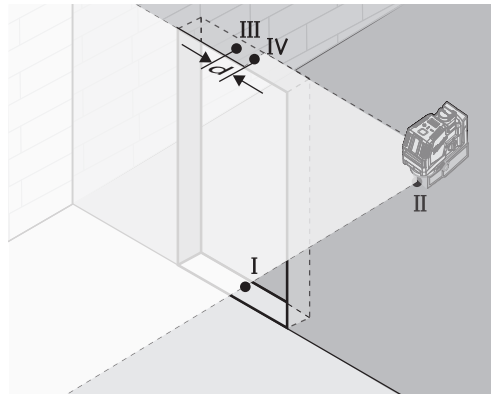
Précision de nivellement vertical

L'ouverture d'une porte ayant vers de 2,4 m (8') de jauge entre chaque côté de l'ouverture est requise afin d'effectuer cette vérification.

- Monter fermement l'outil à une distance de 2,4 m (8') par rapport à chaque côté de l'ouverture de la porte.
- Tourner l'outil en le mettant dans la position , dans le mode de ligne d'aplomb verticale .
- Mettre l'outil du laser en direction de l'ouverture de la porte. Laisser l'outil parvenir à se mettre de niveau automatiquement.
- Marquer le centre de la ligne du laser verticale sur le plancher, au milieu de l'ouverture de la porte (point I), à une distance de 2,4 m (8') au-delà de l'ouverture de la porte (point II) et sur le bord supérieur de celle-ci (point III).



- Déplacer le niveau laser directement en arrière du point II sur l'autre côté de la porte. Aligner la ligne du laser vertical d'une façon telle que le centre soit directement aligné sur les points I et II.
- Marquer le centre de la ligne verticale sur le rebord supérieur de l'ouverture de la porte (point IV).
- Mesurer la hauteur de l'ouverture de la porte.
- La distance entre les points III et IV sur l'ouverture de la porte supérieure représente la déviation vertical (d) de l'outil.



- La déviation verticale maximale (d) est : $d_{\text{max}} = 2 \times H \text{ (ouverture de la porte)} \times \pm 6 \text{ mm } (\pm 1/8'') \div 10 \text{ m (33')}.$

Par exemple : pour une hauteur de 2,1 m (7') d'ouverture de porte, la déviation maximale acceptée (d) est : $d_{\text{max}} = 2 \times 2,1 \text{ m (7')} \times \pm 6 \text{ mm } (\pm 1/8'') \div 10 \text{ m (33')} = \pm 1,3 \text{ cm } (\pm 0,05'').$



La mesure entre les points III et IV sur l'ouverture de la porte supérieure ne devra donc pas dépasser 1,3 cm (0,5") dans une embrasure de porte de 2,1 m (7').

Précision de point d'aplomb

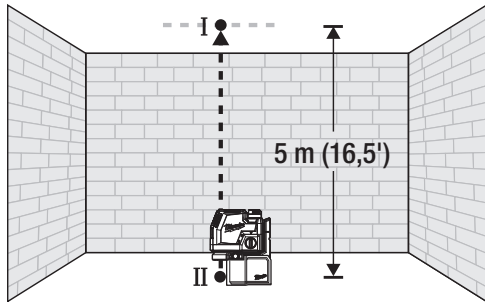
(3522-20)

Pour effectuer cette vérification, une jauge de distance de mesure approximative de 10 m (33') dans une surface ferme entre le plancher et le plafond est requise. Il est conseillé d'installer le rehausse, s'il est n'a pas été déjà mis.

1. Mettre l'outil auprès de 30,5 cm (1') par rapport au plancher.

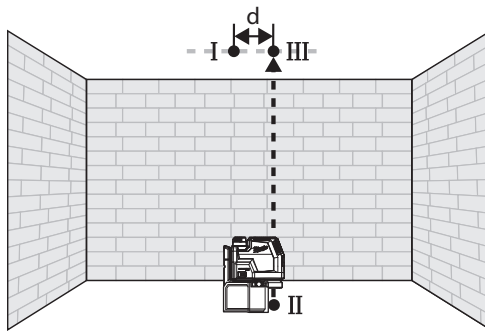
Tourner l'outil en le mettant dans la position  **ON**, dans le mode de ligne d'aplomb et niveau perpendiculaire .

2. Poser l'outil sur terre et marquer le centre du point d'aplomb sur le plafond (point I). Marquer aussi le centre du point d'aplomb sur le plancher (point II).



3. Faire tourner l'outil de 180°. Aligner le point central du faisceau du laser directement sur le point II du plancher.

4. Marquer le centre du point d'aplomb supérieur sur la ligne de référence sur le plafond (point III).



5. La distance entre les points I et III sur le plafond est la déviation (d) de l'outil. Cette distance ne devra pas dépasser 6 mm (1/8") (max.) à 10 m (33'). Par rapport à la distance de mesure de 2 x 5 m [16,5'] = 10 m (33'), la déviation maximale permise (d) est : $10 \text{ m (33')} \times \pm 6 \text{ mm } (\pm 1/8'') \div 10 \text{ m (33')} = 13 \text{ mm } (\pm 1/8'')$.

ENTRETIEN

⚠ AVERTISSEMENT Afin de minimiser le risque de blessures, toujours enlever les piles avant d'effectuer tout entretien. Ne jamais démonter l'outil.

Entretien du niveau laser

Entretien les outils. En cas de dommages, faire réparer l'outil avant de l'utiliser. Les accidents pourront survenir à cause d'outils mal entretenus.

⚠ AVERTISSEMENT Afin de minimiser le risque de blessures physiques ou de dommages, ne jamais immerger l'outil dans un liquide et ne laisser aucun liquide entrer dans l'outil.

Nettoyage

Débarrassez les tous événements des débris et de la poussière. Gardez les outil propres, à sec et exemptes d'huile ou de graisse. Le nettoyage doit se faire avec un linge humide et un savon doux. Certains nettoyeurs tels l'essence, la térébenthine, les diluants à laque ou à peinture, les solvants chlorés, l'ammoniaque et les détergents d'usage domestique qui en contiennent pourraient détériorer le plastique et l'isolation des pièces. Ne laissez jamais de solvants inflammables ou combustibles auprès des outils.

Nettoyage des lentilles

Souffler les particules volantes à l'aide de l'air comprimé propre. Nettoyer soigneusement la surface à l'aide d'un coton-tige imbibé de l'eau.

Réparations

Pour les réparations, retournez outil, batterie et chargeur en entier au centre-service autorisé le plus près.

ACCESSOIRES

⚠ AVERTISSEMENT N'utiliser les outils qu'avec les accessoires spécifiquement recommandés. L'usage de tout autre accessoire peut entraîner un risque de blessure.

SERVICE - CANADA

Milwaukee Tool (Canada) Ltd

1.800.268.4015

Monday-Friday, 7:00 AM - 4:30 PM CST

www.milwaukeetool.ca

GARANTIE LIMITÉE - AUX ÉTATS-UNIS ET A CANADA

Chaque chargeur ou piles REDLITHIUM USB* de MILWAUKEE est garanti à l'acheteur original uniquement à propos d'une exception des défauts en matériel et fabrication. Soumis à certaines exceptions, MILWAUKEE réparera ou remplacera une pile ou un chargeur REDLITHIUM USB que, après une inspection, soit déterminé par MILWAUKEE qui est défectueux à propos du matériel ou construction par une période de deux (2) années après la date d'achète, sauf indication contraire. Il est nécessaire que la pile ou le chargeur REDLITHIUM USB soit rendu à un Centre de Service usine MILWAUKEE ou bien, une Station-Service Autorisée MILWAUKEE, avec un fret assuré et constaté d'avance. Pour plus d'informations sur la procédure d'envoi appropriée, veuillez contacter le numéro 1.800.SAWDUST (1.800.729.3878) ou le site d'Internet www.milwaukeetool.com. Une copie de la preuve d'achat devra être incluse avec le produit rendu. Cette garantie n'est pas applicable à dommages que soient déterminés par MILWAUKEE qui sont des réparations faites ou tentées par quelqu'un d'autre que le personnel autorisé de MILWAUKEE, usage abusif, altérations, maltraitance, usure naturelle, absence d'entretien ou accidents.

Usure régulière : Cette garantie n'inclut pas des réparations ou remplacements lorsque l'usure naturelle ait épuisé la vie d'une pièce, y compris les câbles de chargement et adaptateurs muraux.

* Cette garantie n'inclut pas de produits sans fil vendus avec la pile et le chargeur REDLITHIUM USB. Il y a des garanties indépendantes et différentes disponibles pour ces produits.

L'ACCEPTATION DES RECOURS DE REMPLACEMENT ET RÉPARATIONS EXCLUSIFS DÉCRITS CI-INCLUS EST UNE CONDITION CONTRACTUELLE POUR L'ACHAT DE TOUTS LES PRODUITS MILWAUKEE. SI VOUS N'ÊTES PAS D'ACCORD AVEC CETTE CONDITION, VOUS NE DEVEZ PAS ACHETER LE PRODUIT. EN AUCUN CAS MILWAUKEE NE SERA RESPONSABLE DES DOMMAGES IMPRÉVUS, RÉSULTANTS, SPÉCIAUX NI RÉPRESSIFS NI AUCUN CÔUT, HONORAIRE D'AVOCAT, DÉPENSE, PERTE NI DÉLAI QUI SE PRÉSENTENT COMME UN RÉSULTAT DE N'IMPORTE QUEL DOMMAGE, ÉCHEC OU DÉFAUT EN N'IMPORTE QUEL PRODUIT, Y COMPRIS N'IMPORTE QUELLE PRÉTENTION DE PERTES DE PROFITS. QUELQUES ÉTATS NE PERMETTENT PAS L'EXCLUSION NI LA LIMITATION DE DOMMAGES IMPRÉVUS NI RÉSULTANTS. LA LIMITATION OU EXCLUSION ANTERIEURE NE POURRA PAS DONC ÊTRE APPLICABLE À VOUS. CETTE GARANTIE EXCLUT ET SUBSTITUE TOUTES LES AUTRES GARANTIES ÉCRITES OU ORALES EXPRESSES. DANS LA MESURE PRÉVUE PAR LA LOI, MILWAUKEE RENONCE À TOUTES LES GARANTIES IMPLICITES, Y COMPRIS N'IMPORTE QUELLE GARANTIE IMPLICITE DE COMMERCIALITÉ OU ADEQUATION À PROPOS D'UNE UTILISATION OU BUT PARTICULIER; DANS LA MESURE PRÉVUE PAR LA LOI À NE PAS PERMETTRE CETTE RENONCE, CES GARANTIES IMPLICITES SERONT LIMITÉES SELON LA DURÉE DE LA GARANTIE EXPRESSE APPLICABLE QUI A ÉTÉ DÉCRITE CI-DESSUS. QUELQUES ÉTATS NE PERMETTENT PAS LES LIMITATIONS SUR LA DURÉE D'UNE GARANTIE; LA LIMITATION CI-DESSUS POURRA DONC NE PAS ÊTRE APPLICABLE À VOUS. CETTE GARANTIE VOUS OFFRE DES DROITS JURIDIQUES ET VOUS POUVEZ BIEN AVOIR DES AUTRES DROITS, LESQUELS POURRONT CHANGER D'UN ÉTAT À UN AUTRE.

Cette garantie est applicable à un produit vendu aux États-Unis et au Canada uniquement.

Veuillez consulter la zone de recherche Trouver un Centre de Service dans la section Pièces et services du site d'Internet de MILWAUKEE ou bien, appelez le numéro 1.800.SAWDUST (1.800.729.3878) pour contacter le Centre de Service usine MILWAUKEE le plus proche.

GARANTIE LIMITÉE - AUX ÉTATS-UNIS ET A CANADA

Chaque outil électrique* MILWAUKEE (voir les exceptions ci-dessous) est garanti uniquement à l'acheteur d'origine d'être exempt de tous défauts de matériau et de main-d'œuvre. Sous réserve de certaines exceptions, MILWAUKEE réparera ou remplacera toute pièce d'un outil électrique qui, après examen par MILWAUKEE, est affectée d'un vice de matériau ou de main-d'œuvre pendant une période de cinq (5) ans** après la date d'achat, sauf indication contraire. Il faudra retourner l'outil électrique à un centre de service en usine MILWAUKEE ou à un poste d'entretien agréé MILWAUKEE, en port préparé et assuré. Une copie de la preuve d'achat doit être présentée lors du retour du produit. Cette garantie ne couvre pas les dommages que MILWAUKEE détermine d'être causés par des réparations ou des tentatives de réparation par quiconque d'autre que le personnel agréé par MILWAUKEE, des utilisations incorrectes, des altérations, des utilisations abusives, une usure normale, une carence d'entretien ou les accidents.

Usure normale : Par rapport à plusieurs outils électriques, il faut remplacer et entretenir leurs pièces afin d'achever leur rendement optimal. Cette garantie ne couvre pas les cas de réparation lorsque la vie utile normale de la pièce s'est terminée, incluant, sans s'y limiter, les mandrins, les balais, les câbles, les patins de scie, les brides de lame, les joints toriques, les embouts, les bitoirs, les lames d'entraînement, les pistons, les perceurs, les pousoirs et les rondelles de protection de butoir.

* Cette garantie ne s'applique pas aux cloueuses-agrafeuses pneumatiques, aux pulvérisateurs à peinture sans air, aux blocs-piles pour outils sans fil, aux générateurs d'alimentation portatifs à essence, aux outils à main, aux monte-charge électriques, à levier et à chaîne (manuel), aux vêtements chauffants M12™, aux produits résinés, ni aux produits d'essai et de mesure. Il y a d'autres garanties différentes disponibles pour ces produits.

**La période de garantie couvrant les radios de chantier, le port d'alimentation M12™, la source d'alimentation M18™, le ventilateur de chantier et les chariots de chantier industriels Trade Titan™ est d'une durée d'un (1) an à partir de la date d'achat. La période de la garantie pour les clés à chocs à couple élevé à poignée en « D » de 1" M18 FUEL™, les câbles de nettoyage de drain, les accessoires pour pistolet pneumatique de nettoyage de drains AIRSNAKE™, les niveaux laser USB REDLITHIUM™, les furets de 0,3 m (25") TRAPNSNAKE™ avec CABLE DRIVE™, les accessoires d'outils de pressage de FORCE LOGIC™ et laser à lignes croisées vertes est d'une durée de deux (2) ans à partir de la date d'achat. La période de la garantie pour le pistolet thermique compact M18™, l'extracteur de poussière de 30,3 l (8 gal), les cloueuses de charpenterie M18™, la clé à chocs à couple contrôlé à enclume extérieure de 1/2" M18 FUEL™ avec ONE-KEY™, la clé à chocs à couple élevé de 1" M18 FUEL™ avec ONE-KEY™, le compresseur silencieux compact de 7,6 l (2 gal.) M18 FUEL™, les niveaux laser M12™, le détecteur de laser de 19,8 m (65'), la cloueuse à chevilles 23 GA M12™, la riveteuse aveugle de 6,4 mm (1/4") M18 FUEL™ avec ONE-KEY™, le tampon de pneu basse vitesse M12 FUEL™, les polisseuses à orbite aléatoire M18 FUEL™, les agrafeuses utilitaires pour clôture M18™, et le tripiéd laser de 1,8 m (72") est d'une durée de trois (3) ans à partir de la date d'achat. La période de la garantie pour la lumière à DEL d'une lampe de travail à DEL et l'ampoule transformée à DEL d'une lampe de travail est d'une durée égale à la vie utile du produit en raison des limites précédentes. Si la lumière à DEL ou l'ampoule à DEL tombe en panne durant l'usage normal, la pièce devra être remplacée gratuitement. L'inscription de la garantie n'est pas nécessaire pour bénéficier de la garantie en vigueur d'un outil électrique MILWAUKEE. La date de fabrication du produit servira à établir la période de garantie si aucune preuve d'achat n'est fournie lorsqu'une demande de service sous garantie est faite.

L'ACCEPTATION DES RECOURS EXCLUSIFS DE RÉPARATION ET DE REMPLACEMENT DÉCRITS PAR LA PRÉSENTE EST UNE CONDITION DU CONTRAT D'ACHAT DE TOUT PRODUIT MILWAUKEE. SI VOUS N'ACCEPTÉZ PAS CETTE CONDITION, VOUS NE DEVEZ PAS ACHETER LE PRODUIT. EN AUCUN CAS MILWAUKEE NE SAURAIT ÊTRE RESPONSABLE DE TOUT DOMMAGE ACCESSOIRE, SPÉCIAL OU INDIRECT, DE DOMMAGES-INTÉRÊTS PUNITIFS OU DE TOUTE DÉPENSE, D'HONORAIRES D'AVOCATS, DE FRAIS, DE PERTE OU DE DÉLAIS ACCESSOIRES À TOUT DOMMAGE, DÉFAILLANCE OU DÉFAUT DE TOUT PRODUIT, Y COMPRIS NOTAMMENT LES PERTES DE PROFIT. CERTAINS ÉTATS ET PROVINCES NE PERMETTANT L'EXCLUSION OU LA LIMITATION DES DOMMAGES DIRECTS OU INDIRECTS, LES RESTRICTIONS CI-DESSUS PEUVENT NE PAS ÊTRE APPLICABLES. CETTE GARANTIE EST EXCLUSIVE ET REMPLACE TOUTE AUTRE GARANTIE EXPRESSE, QU'ELLE SOIT VERBALE OU ÉCRITE. DANS LA MESURE PERMISE PAR LA LOI, MILWAUKEE RENONCE À TOUTE GARANTIE IMPLICITE, Y COMPRIS, SANS S'Y LIMITER, TOUTE GARANTIE IMPLICITE DE COMMERCIALITÉ OU D'ADAPTATION À UNE UTILISATION OU À UNE FIN PARTICULIÈRE. DANS LA MESURE OU UNE TELLE STIPULATION D'EXONÉRATION N'EST PAS PERMISE PAR LA LOI, LA DURÉE DE CES GARANTIES IMPLICITES EST LIMITÉE À LA PÉRIODE APPLICABLE DE LA GARANTIE EXPRESSE, TELLE QUE CELA EST DÉCRIT PRÉCÉDEMMENT. CERTAINES PROVINCES NE PERMETTANT PAS DE LIMITATION DE DURÉE DES GARANTIES IMPLICITES, LES RESTRICTIONS CI-DESSUS PEUVENT NE PAS ÊTRE APPLICABLES. LA PRÉSENTE CONFÈRE À L'UTILISATEUR DES DROITS LÉGAUX PARTICULIERS; IL BÉNÉFICIE ÉGALEMENT D'AUTRES DROITS QUI VARIENT D'UNE PROVINCE À L'AUTRE. Cette garantie s'applique uniquement aux produits vendus aux États-Unis et au Canada.

Veuillez consulter l'ongle « Trouver un centre de service », dans la section « Pièces et service » du site web de MILWAUKEE, à l'adresse www.milwaukeeool.com, ou composer le 1-800-SAWDUST (1-800-729-3878) afin de trouver le centre de service de votre région le plus proche pour l'entretien, sous garantie ou non, de votre outil électrique Milwaukee.

ADVERTENCIAS GENERALES DE SEGURIDAD DE LA HERRAMIENTA ELECTRICA

▲ ADVERTENCIA Lea y comprenda todas las instrucciones. No seguir todas las instrucciones que se enumeran a continuación podría provocar una descarga eléctrica, incendio o lesiones graves. **Guarde todas las advertencias e instrucciones para futura consulta.**

• **Guarde estas instrucciones:** este manual del operador contiene instrucciones importantes de seguridad y operación.

SEGURIDAD DEL LASER

El dispositivo produce rayos láser visibles, los cuales son emitidos desde la herramienta.

• Este dispositivo cumple con la norma 21 CFR 1040.10 y 1040.11 excepto cuando cumple con la norma IEC 60825-1 Ed. 3., descrita en el Aviso del Láser No. 56, con fecha del 8 de mayo de 2019.

• **Luz láser - No mire fijamente al rayo ni lo vea directamente con instrumentos ópticos. No dirija la luz láser a otras personas.** La luz láser puede causar daño a los ojos.

SEGURIDAD EN EL AREA DE TRABAJO

• **Asegúrese de que haya protecciones adecuadas en el sitio de trabajo (por ej., revisión del sitio al realizar mediciones en carreteras, obras de construcción, etc.).**

• **Evite los entornos peligrosos.** Evite la exposición prolongada en la lluvia, nieve o lugares húmedos o mojados. No se use en presencia de atmósferas explosivas (vapores gaseosos, polvo o materiales inflamables).

SEGURIDAD PERSONAL

• **No permita que operen esta herramienta personas que no estén familiarizadas con el aparato, estas instrucciones de seguridad y el manual del operador de la herramienta.** Esta herramienta puede ser peligrosa en manos de usuarios sin capacitación.

• **No estire el cuerpo demasiado. Mantenga una posición segura y equilibrada adecuada en todo momento.** Esto permite un mejor control de la herramienta en situaciones inesperadas.

USO Y CUIDADO DE LA BATERIA

• **USE AND CARGUE SOLO BATERÍAS CON USB REDLITHIUM® PARA ESTA HERRAMIENTA RECARGABLE CON USB. OTROS TIPOS DE BATERÍAS PUEDEN CAUSAR LESIONES PERSONALES O DAÑOS.**

• **ANTES DE UTILIZAR LA BATERIA Y EL LA HERRAMIENTA, LEA ESTE MANUAL DEL OPERADOR Y TODAS LAS ETIQUETAS DE LA BATERIA Y LA HERRAMIENTA.**

• **USE ÚNICAMENTE CON SUMINISTRO DE ENERGÍA ITE DETALLADO/CERTIFICADO.** Otros pueden resultar en riesgo de incendio, descarga eléctrica o lesiones personales.

• **CARGUE EN UN ÁREA CON BUENA VENTILACIÓN.** No obstruya las ventilas del cargador. Manténgalas sin obstrucciones para permitir una ventilación adecuada. No permita que haya humo o llamas expuestas cerca de la batería que se esté cargando. Los gases ventilados pueden explotar.

• **DAR MANTENIMIENTO AL CABLE.** Al desconectar el cargador, jale del enchufe en vez del cable para reducir el riesgo de dañar cualquiera de ellos. Nunca transporte el cargador sujetándolo del cable. Proteja el cable del calor, aceite y bordes filosos. Asegúrese de no pisar, tropezar o someter el cable a daños o torceduras. No use el cargador con el cable o enchufe dañado. Pida que se reemplace inmediatamente un cargador dañado.

• **USÉ ÚNICAMENTE LOS ACCESORIOS RECOMENDADOS.** El uso de un accesorio no recomendado o vendido por el fabricante del cargador de la batería o batería podría resultar en un riesgo de incendio, descarga eléctrica o lesiones personales.

• **PARA REDUCIR EL RIESGO DE UNA DESCARGA ELÉCTRICA,** siempre desconecte el cargador antes de limpiarlo o dar mantenimiento.

• **NO QUEME NI INCINERE LA BATERÍA.** La batería puede explotar, causando lesiones personales o daños. Al quemar la batería se generan vapores y materiales tóxicos.

• **NO APLASTE, TIRE NI DAÑE** la batería. No use una batería o cargador que haya recibido un golpe seco, se haya caído, aplastado o dañado de algún modo (p. ej., perforado con un clavo, golpeado con un martillo, pisado, etc.).

• **NO DESARME.** El armado incorrecto puede resultar en riesgo de choque eléctrico, incendio o exposición a los químicos de la batería. En caso de daño, llévela a un centro de servicio MILWAUKEE.

• **LOS QUÍMICOS DE LA BATERIA CAUSAN QUEMADURAS GRAVES.** Nunca permita el contacto con la piel, ojos o boca. Si una batería dañada derrama químicos, use guantes de goma o neopreno para desecharla. Si la piel es expuesta a los fluidos de la batería, lave con agua y jabón, y enjuague con vinagre. Si los ojos son expuestos a los químicos de la batería, enjuague inmediatamente con agua durante 20 minutos y busque atención médica. Retire y deseche la ropa contaminada.

• **NO PROVOQUE UN CORTOCIRCUITO.** Se provocará un cortocircuito en la batería si un objeto metálico hace conexión con los contactos positivos y negativos en la batería. No coloque una batería cerca de algo que pueda provocar un cortocircuito, como monedas, llaves o clavos en su bolsillo. No permita que líquidos fluyan dentro de la batería. Los líquidos corrosivos o conductores, como el agua de mar, ciertos químicos industriales y el cloro o productos que contienen cloro, etc., pueden provocar un corto circuito. Una batería que haya sufrido un cortocircuito puede provocar un incendio, lesión personal y daños al producto.

• **ALMACENE SU BATERIA Y HERRAMIENTA** en un lugar fresco y seco. No almacene la batería donde la temperatura pudiera exceder 120 °F (50 °C) tal como en la luz solar directa, un vehículo o edificio de metal durante el verano.

REGLAS DE SEGURIDAD ESPECIFICAS PARA LOS NIVELES DE LASER

- **No deseche la herramienta ni las baterías junto con basura doméstica!** La herramienta y las baterías que hayan llegado al final de su vida deben recolectarse por separado y devolverse a un centro de reciclado ambientalmente compatible.
- **El dispositivo cumple con los requisitos más exigentes de las normas y reglamentos relevantes de compatibilidad electromagnética (EMC).** Sin embargo, no puede excluirse por completo la posibilidad de que se ocasione interferencia en otros dispositivos.
- **ADVERTENCIA** El uso de controles o ajustes, o el desempeño de los procedimientos que no sean los que se especifican aquí puede provocar una exposición peligrosa a la radiación.
- **Asegúrese de apagar el instrumento después de utilizarlo.** Cuando no se utilice el instrumento por un periodo largo, almacénelo después de retirar las baterías.
- **Asegúrese de que los imanes de la herramienta estén montados fijamente a una superficie de metal. La fuerza del imán puede no sostenerse en superficies metálicas delgadas, provocando que se caiga la herramienta.**
- **Válgase siempre de su sentido común y sea cuidadoso cuando utilice herramientas.** No es posible anticipar todas las situaciones que podrían tener un desenlace peligroso. No utilice esta herramienta si no entiende estas instrucciones de uso o si considera que el trabajo a realizar supera sus capacidades, comuníquese con Milwaukee Tool o con un profesional capacitado para recibir capacitación o información adicional.
- **Conserve las etiquetas y las placas nominales.** Contienen información importante. Si son ilegibles o no están presentes, comuníquese con un centro de servicio MILWAUKEE para obtener un reemplazo gratuito.

FC **Comisión Federal de Comunicaciones**
ADVERTENCIA Los cambios o modificaciones realizados a esta

unidad que no sean expresamente aprobados por la parte responsable del cumplimiento podrían anular la autoridad del usuario para operar el equipo.

Este equipo ha sido probado y se ha encontrado que cumple con los límites de un dispositivo digital de Clase B, en cumplimiento con la parte 15 de las reglas de la FCC. Estos límites están diseñados para proporcionar protección razonable contra la interferencia nociva en una instalación residencial. Este equipo genera, usa y puede irradiar energía de radiofrecuencia y, si no se instala y se utiliza de acuerdo con las instrucciones, puede ocasionar interferencia nociva con las comunicaciones por radio.

Sin embargo, no existe garantía de que no ocurra interferencia en una instalación en particular. Si este equipo ocasiona interferencia nociva con la recepción de radio o televisión que pueda determinarse encendiendo y apagando el equipo, se anima al usuario a intentar corregir la interferencia mediante una o más de las siguientes medidas:

- Reorientar o reubicar la antena receptora.
- Aumentar la distancia entre el equipo y el receptor.
- Consulte al distribuidor o a un técnico experimentado de radio/TV para solicitar ayuda.

ESPECIFICACIONES

Línea transversal.....	3521-20
Línea transversal y puntos de plomada...	3522-20
Voltios de entrada USB	5 CD
Amperaje de entrada USB.....	0,1 - 2,1 A
Voltios de salida.....	4 CD
Amperaje de salida.....	2,1 A

BATERÍAS REDLITHIUM® USB

Voltios	4 CD
Cat. de suministro de energía No.	48-59-1202
Láser.....	clase 2
Potencia máx. de líneas	$P_{AVG} \leq 7 \text{ mW}$
Potencia máx. de puntos	$P_{AVG} \leq 1 \text{ mW}$
Frecuencia	10 KHz
Modo normal de duración del pulso	$T_P \leq 70 \mu\text{s}$
Modo ahorrador de duración del pulso...	$T_P \leq 50 \mu\text{s}$
Longitud de onda.....	510-530 nm
Divergencia de rayo de las líneas	1 rad
Divergencia de rayo de los puntos	0,5 mrad
Temperatura de almacenamiento	-20°C to 49°C (-4°F to 120°F)
Rango de operación	30.5m (100')
Rango con detector	50 m (165')
Precisión	3 mm ($\pm 1/8"$) a 10 m (33')
Tiempo de fijación	< 3 segundos
Montura del tripié	1/4" - 20
Protección contra ingreso de basura.....	IP54
Clasificación de caída.....	1 m
Nivelación	automática de $\pm 4^\circ$ de lado a lado, adelante hacia atrás

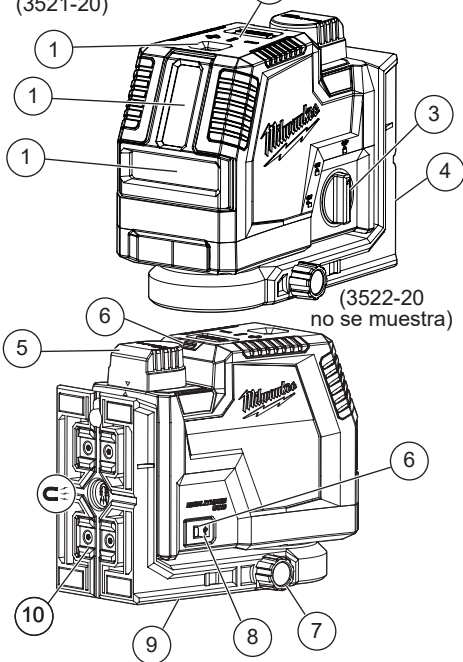
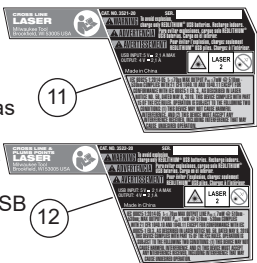
Temperatura de operación

Batería y cargador

Batería y herramienta ...

DESCRIPCION FUNCIONAL

1. Aberturas del láser
2. Indicador del modo láser
3. Disco de encendido/apagado
4. Soporte del pivote
5. Compartimiento de las baterías
6. Indicador de la carga
7. Micro ajuste
8. Tomacorriente con USB
9. Inserto roscado
10. Imanes
11. Placa de identificación (3522-20)
12. Placa de identificación (3521-20)



SIMBOLOGÍA

- Voltios
- Corriente continua
- Amperios



RADIACIÓN DEL LÁSER
NO MIRE FIJAMENTE AL RAYO
PRODUCTO LÁSER DE CLASE 2



Bus serie universal (USB)



Imanes



Lea el manual del operador.



Recicle las baterías correctamente

BATERÍA

⚠ ADVERTENCIA Para reducir el riesgo de incendio, lesiones personales y daños al producto debido a un cortocircuito, no sumerja nunca la herramienta, el paquete de baterías o el cargador en líquido ni permita que fluya un fluido dentro de ellos. Los fluidos corrosivos o conductivos, como el agua de mar, ciertos productos químicos industriales y blanqueadores o lejías que contienen, etc., pueden causar un cortocircuito.

Mantenimiento y almacenamiento

No exponga su batería o herramientas inalámbricas al agua o lluvia, ni permita que se mojen. Esto podría dañar la herramienta y la batería. No use aceite o solventes para limpiar o lubricar su batería. La carcasa de plástico se volverá frágil y se romperá, provocando un riesgo de lesión. Almacene las baterías a temperatura ambiente, alejadas de la humedad. No almacene en lugares húmedos donde puede haber una corrosión de las terminales. Al igual que con los otros tipos de batería, puede haber una pérdida permanente de capacidad si la batería se almacena por periodos largos a temperaturas altas (más de 120 °F). Las baterías de litio-ion de MILWAUKEE mantienen su carga durante almacenamientos mayores que otros tipos de batería. Después de un año de almacenamiento, cargue la batería como siempre.

⚠ ADVERTENCIA Para reducir el riesgo de lesión o explosión, nunca quemar ni incinerar una batería incluso si está dañada, inservible o completamente descargada. Cuando se quema, se forman vapores y materiales tóxicos.

Desecho de baterías de litio-ion de MILWAUKEE

Las baterías de litio-ion de MILWAUKEE son más amigables con el medio ambiente que algunos otros tipos de baterías para herramientas eléctricas. Siempre deseche su batería de conformidad con las regulaciones federales, estatales y locales. Contacte a una agencia de reciclaje en su área para conocer los lugares de reciclaje.

Incluso las baterías descargadas contienen algo de energía. Antes de desechar, use cinta eléctrica para cubrir las terminales y evitar que la batería cree un corto, que podría provocar un incendio o explosión.

Sellos de reciclaje de batería RBRC

Los Sellos de reciclaje de batería RBRC™ (consulte "Simbología") en sus baterías indican que MILWAUKEE organizó el reciclado de la batería con la Corporación de Reciclaje de Baterías Reciclables (RBRC). Al final de la vida útil de su batería, devuélvala a la Oficina de la sucursal/Centro de servicio MILWAUKEE o al minorista más cercano. Para mayor información, visite el sitio web de RBRC en www.rbrc.org.

ENSAMBLAJE

⚠ ADVERTENCIA Use y cargue solo con baterías con USB REDLITHIUM® para esta herramienta recargable con USB. Otros tipos de baterías pueden causar lesiones personales o daños.

Insertar la batería

1. Gire la tapa y retire.
2. Alinee la flecha de la batería con la flecha del compartimiento e inserte completamente la batería.
3. Gire la tapa para cerrar con firmeza.

Cargar la batería

Cuando la herramienta se enciende con potencia solamente de baterías, se muestra la carga restante: Verde sin parpadear: 50-100 % restante
Amarillo sin parpadear: 11-49 % restante
Rojo sin parpadear: 3-10 % restante
Rojo parpadearando: 0-3 % restante

Modo De Potencia Baja

Para indicar el MODO DE POTENCIA BAJA, los rayos del láser bajarán su intensidad, y el pulso indicador del modo del láser verde y los rayos del láser parpadearán rápidamente tres veces, seguido de 4 segundos de iluminación fija (se repite). Cargue la batería.

Para cargar la batería con el láser apagado:

1. Enchufe su cable USB en una fuente de energía como un adaptador de pared CA, computadora o puerto en un coche.
2. Levante la cubierta de hule para mostrar el puerto de la micro USB. Inserte el enchufe de la micro USB en el puerto de micro USB. Los usuarios pueden experimentar tiempos de carga más largos desde computadoras portátiles y otras fuentes de alimentación.

3. Cuando el nivel láser se carga APAGADO, la luz indicadora mostrará el estado de la carga:
Pulsación en rojo: cargando, 0 a 49 % de carga.
Pulsación en amarillo: cargando, 50 a 99 % de carga.
Verde fijo: 100 % cargado.

Parpadea en rojo/verde: El cable USB está insertado sin la batería instalada y batería dañada o defectuosa. Si el indicador de luz parpadea rojo y verde, verifique que la batería esté completamente fija en el compartimiento. Retire la batería y vuélvala a insertar. Si la luz continúa parpadeando rojo y verde, la batería puede estar extremadamente caliente o fría, o mojada. Permita que la batería se enfríe, caliente o seque antes de volver a insertarla. Si el problema continúa, comuníquese con una instalación de servicio MILWAUKEE.

NOTA: Cuando el nivel láser se carga en USO, la luz indicadora pulsará en rojo (continuo). Cuando el cable USB está desconectado, el indicador de combustible mostrará el nivel de carga actual de la batería.

⚠ ADVERTENCIA Para reducir el riesgo de lesiones o daños, monte/fije con firmeza el láser antes de iniciar una operación. Pueden ocurrir lesiones o daños si el láser cae.

Montar o ajustar el nivel láser

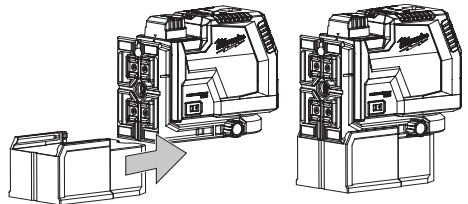
El soporte del pivote puede usarse para montar el nivel láser de varias maneras:

- Use los imanes incrustados para fijar el nivel láser a los montantes de acero del marco, vigas de acero, etc.
- Use la ranura de bocallave para colgar el nivel láser en la pared con un clavo o tornillo
- Coloque el nivel láser sobre una superficie plana
- Posicione el láser o montaje de pared en una superficie estable
- Use el inserto roscado de 6 mm (1/4") - 20 y monte en un tripé
- Cuando el nivel esté montado, use las manijas de micro ajuste para afinar la línea láser

Fijar o retirar el elevador

(3522-20)

Use el elevador para elevar el nivel láser de la superficie para usarse del punto de plomada inferior, como el espacio sobre la guía de los montantes de acero. Para fijar el elevador, deslicelo en el soporte del pivote desde la parte trasera hasta que se fije en su lugar. Para retirar el elevador, sostenga el láser con firmeza y, del mismo modo, empuje el elevador desde la parte frontal.



OPERACIÓN

⚠ ADVERTENCIA Para reducir el riesgo de lesiones o efectos temporales en la visión, no mire directamente hacia el láser cuando esté encendido.

⚠ ATENCIÓN El uso de controles o ajustes, o el desempeño de los procedimientos que no sean los que se especifican aquí puede provocar una exposición peligrosa a la radiación.

AVISO Realice inmediatamente el procedimiento de revisión del campo de precisión al abrir el paquete de cada nivel láser nuevo y antes de exponerlo a condiciones del sitio de trabajo. Consulte la sección de "Revisión del campo de precisión" para más información.

Encendido en On/Off

Para encender el láser y desbloquear el péndulo, gire el disco de encendido y apagado a la posición deseada. Se mostrará la carga restante de la batería. **⚠ ADVERTENCIA!** No mire directamente a las aberturas del láser. Se mostrará la luz LED indicadora del modo láser y se emitirá inmediatamente la línea del nivel horizontal desde la abertura en la carcasa del láser.

ON Enciende el láser y desbloquea el péndulo para poder autonivelarse.

ON Enciende el láser, pero no desbloquea el péndulo (se deshabilita la autonivelación). Las líneas del láser parpadearán una vez cada 8 segundos para indicar que las líneas proyectadas no están niveladas o de plomada.

AVISO: El modo en ON deshabilita la autonivelación y, por lo tanto, no debe usarse para proyectar una línea nivelada o de plomada.

OFF Apaga el láser y bloquea el péndulo. Cuando no esté en uso, apague la herramienta y almacene el nivel láser en el estuche de transporte protector.

Use el botón de MODO para navegar entre los tres modos del láser:

☰ Línea del nivel horizontal

⌋ Línea de plomada vertical

⊕ Nivel perpendicular y líneas de plomada **

Los indicadores del modo láser verde mostrarán el modo seleccionado.

** Puntos de plomada en Cat. No. 3522-20 únicamente

Ahorro de potencia

Para configurar la herramienta en modo de ahorro de potencia y extender el tiempo de operación disminuyendo la intensidad del láser, oprima y sostenga el botón de MODO durante 3 segundos. El rango visual disminuye en el modo de ahorro de potencia. Presionar de nuevo el botón de MODO durante 3 segundos desactivará el ahorro de potencia si el nivel de la batería es mayor a 3 %.

Uso del nivel de láser

1. Para mejores resultados, coloque la herramienta en una superficie que sea:
 - robusta
 - nivelada (dentro de 4 grados de nivel verdadero)
 - sin vibraciones
 - a 90° del área de trabajo
2. Encienda la herramienta.
3. La herramienta se autonivelará cuando se coloque en superficies con 4 grados de nivel verdadero.
4. La herramienta está lista una vez que las líneas emitidas son continuas y ya no se mueven en la superficie de trabajo.
5. Si la herramienta no puede lograr un estado de nivelación (es decir, la superficie de trabajo tiene una desnivelación verdadera mayor a 4 grados), los puntos láser parpadearán rápidamente (3 parpadeos por segundo). Vuelva a colocarla o ajuste la superficie de trabajo.

Resolución de problemas

Si la herramienta no enciende:

- Asegúrese de que la batería se instale correctamente. El indicador de combustible debe mostrar la carga restante cuando se instale correctamente.
 - Asegúrese de que la batería esté cargada
 - Asegúrese de que la temperatura interna de la herramienta se encuentra dentro de los rangos operativos especificados. Si se almacenan en calor o frío excesivo, permita que transcurran al menos 2 horas para aclimatarse a temperatura ambiente antes de encender la herramienta.
- Si el problema continúa, contacte a la instalación de servicio MILWAUKEE para que le apoyen.

REVISIÓN DEL CAMPO DE PRECISIÓN

AVISO Realice inmediatamente el procedimiento de revisión del campo de precisión al abrir el paquete de cada nivel láser nuevo y antes de exponerlo a condiciones del sitio de trabajo. Consulte la sección de "Revisión del campo de precisión" para más información. En caso de que encuentre alguna desviación en la precisión del producto, contacte a la instalación de servicio MILWAUKEE. El no hacerlo puede provocar que se rechace una reclamación de la garantía.

Influencias sobre la precisión

Los gradientes de la temperatura ambiente pueden afectar la precisión láser. Para obtener resultados precisos y repetibles, debe realizarse el siguiente procedimiento con el láser elevado del piso y colocado en el centro del área de trabajo.

El manejo incorrecto del nivel láser, como impactos excesivos por caídas, también puede provocar desviaciones en la precisión del producto.

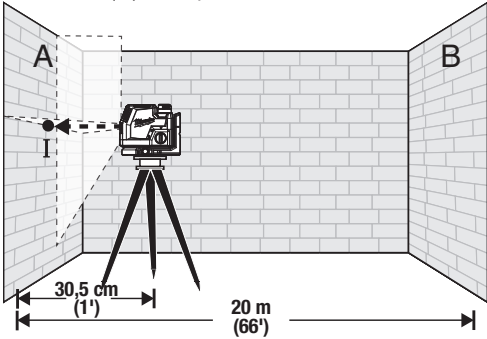
Por lo tanto, se recomienda realizar un procedimiento de revisión del campo después de cualquier impacto o antes de completar cualquier trabajo esencial.

Precisión de la altura horizontal

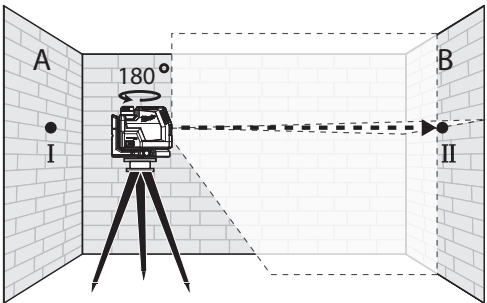
Se necesita una distancia de medición libre de aproximadamente 20 m (66') sobre una superficie firme entre dos paredes o estructuras A y B para esta revisión.

También se sugiere montar el nivel láser sobre un tripié disponible comercialmente para un fácil ajuste.

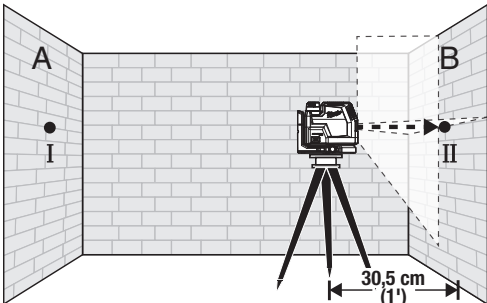
1. Monte fijamente la herramienta a una distancia de 30,5 cm (1') de la pared A.



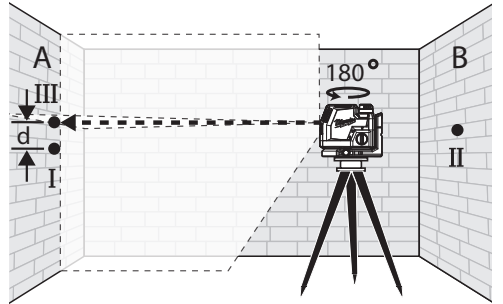
2. Encienda la herramienta en **ON** y en modo de nivel perpendicular y líneas de plomada.
3. Dirija el rayo láser frontal contra la pared A más cercana y permita la autonivelación. Marque el centro del cruce láser en la pared (punto I).
4. Gire la herramienta 180° sin cambiar la altura, permita que se autonivele y marque el centro de la cruz del láser en la pared B opuesta (punto II).



5. Mueva la herramienta a una distancia de 30,5 cm (1') de la pared B. Permita que el láser se autonivele. Alinee la cruz del láser en dirección general del punto II en la pared B.



6. Ajuste la altura de la herramienta (con un tripié o con calzas, de ser necesario) para alinear la cruz del láser directamente al punto II en la pared B. Permita que la herramienta se autonivele.
7. Gire la herramienta 180° sin cambiar la altura, permita que se autonivele y marque el centro de la cruz del láser en la pared A (punto III). El punto III debe estar alineado lo más verticalmente posible arriba o debajo del punto I en la pared A.



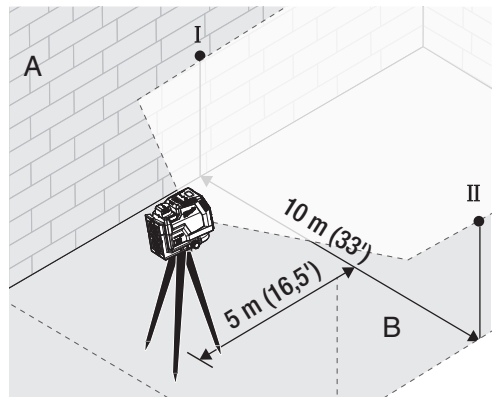
8. La distancia entre los puntos I y III en la pared A es la desviación (d) de la altura de la herramienta. Esta distancia no debe superar 3 mm (1/8") como máximo a 10 m (33') (13 mm a 40 m (1/2" a 132')). Para la distancia de medición de 2 x 20 m = 40 m (2 x 66' = 132'), la desviación (d) máxima permitida es: $40 \text{ m} \times \pm 3 \text{ mm} \div 10 \text{ m} = \pm 12 \text{ mm}$ (132' x $\pm 1/8" \div 33' = \pm 1/2"$)

Precisión de nivelación horizontal

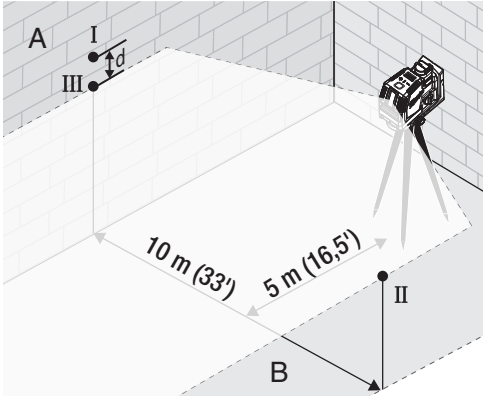
Se necesita un espacio de medición libre de aproximadamente 10 m x 10 m (33' x 33') sobre una superficie firme entre dos paredes o estructuras A y B para la revisión.

También se sugiere montar el nivel láser sobre un tripié disponible comercialmente para un fácil ajuste. Monte fijamente la herramienta en un lado de la habitación y centrado entre las paredes A y B. Dirija las líneas del láser hacia el otro lado de la habitación, de tal forma que la línea horizontal aparezca en ambas paredes A y B. Permita que el láser se autonivele.

1. Encienda la herramienta en **ON** y en modo de línea de nivel horizontal.
2. A una distancia de 5 m (16,5') del láser, marque el centro de la línea horizontal en la pared A (punto I). Repita el paso en la pared B (punto II).



- Mueva el láser 10 m (33') hacia la pared opuesta y gire el láser 180°. Permita que el láser se autonivele.
- Ajuste la altura de la herramienta (con un tripié o con calzas, de ser necesario) para que el centro de la línea horizontal se proyecte exactamente contra el punto II previamente marcado en la pared B. Asegúrese de que el láser se autonivele después de la alineación.
- Marque el centro de la línea horizontal en la pared A (punto III). Asegúrese de que el punto III esté alineado lo más verticalmente posible por encima o por debajo del punto I.
- La distancia d entre los puntos I y III marcados en la pared A indica la desviación (d) real de la herramienta.

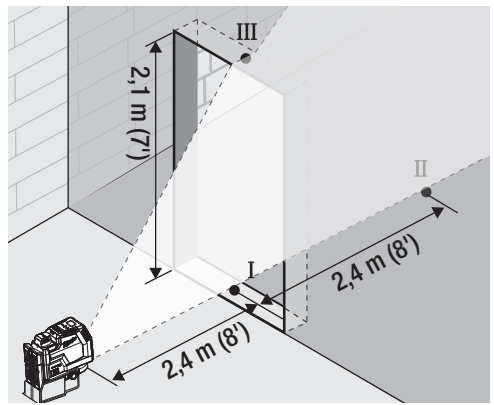


Para la distancia de medición de $2 \times 10 \text{ m} = 20 \text{ m}$ ($2 \times 33' = 66'$), la desviación (d) máxima permitida es: $20 \text{ m} \times \pm 3 \text{ mm} \div 10 \text{ m} = \pm 6 \text{ mm}$ ($66' \times \pm 1/8'' \div 33' = \pm 1/4''$). Así, la diferencia d entre los puntos I y III no debe exceder 6 mm (1/4") (máximo) a 20 m (66').

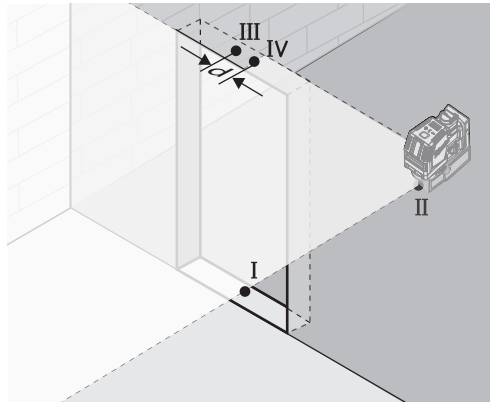
Precisión de nivelación vertical

Se requiere una puerta que abra con aproximadamente 2,4 m (8') de espacio en cada lado de la abertura para esta revisión.

- Monte con firmeza la herramienta a 2,4 m (8') de un lado de la abertura de la puerta.
- Encienda la herramienta en ON y en modo de línea de plomada vertical .
- Posicione la herramienta del láser hacia la abertura de la puerta. Permita que la herramienta se autonivele.
- Marque el centro de la línea vertical del láser en el piso, en medio de la abertura de la puerta (punto I), a una distancia de 2,4 m (8') más allá de la abertura de la puerta (punto II) y en el borde superior de la abertura de la puerta (punto III).



- Mueva el nivel del láser directamente detrás del punto II en el otro lado de la puerta. Alinee la línea láser vertical en modo de que el centro esté alineado directamente con los puntos I y II.
- Marque el centro de la línea vertical en el borde superior de la abertura de la puerta (punto IV).
- Mida la altura de la abertura de la puerta.
- La distancia entre los puntos III y IV en la abertura superior de la puerta es la desviación (d) de la herramienta.



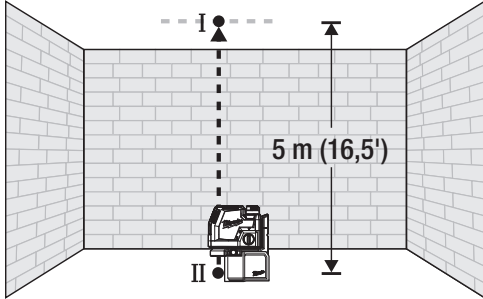
- La desviación (d) vertical máxima es: $d_{\text{max}} = 2 \times A$ (abertura de la puerta) $\times \pm 3 \text{ mm} \div 10 \text{ m}$ ($2 \times A$ (abertura de la puerta) $\times \pm 1/8'' \div 33'$).
Ejemplo: para la altura de la abertura de una puerta de 2,1 m (7'), la desviación (d) máxima permitida es: $d_{\text{max}} = 2 \times 2,1 \text{ m} \times \pm 3 \text{ mm} \div 10 \text{ m} = \pm 1,3 \text{ cm}$ ($2 \times 7' \times \pm 1/8'' \div 33' = \pm 0,05''$).
Por lo tanto, la medida entre los puntos III y IV en la abertura superior de la puerta no debe exceder 1,3 mm (0,05") en una puerta de 2,1 m (7').

Precisión del punto de plomada

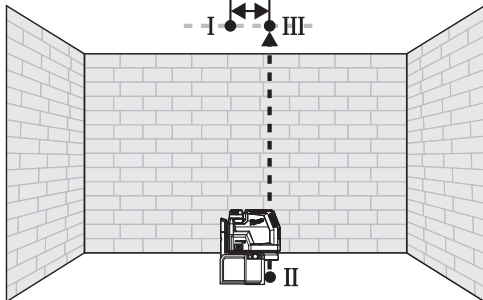
(3522-20)

Se necesita una distancia de medición libre de aproximadamente 10 m (33') entre el piso y el techo sobre una superficie firme. Se sugiere instalar el bloque elevador si no está ya equipado.

1. Coloque la herramienta a una distancia de 30,5 cm (1') del piso.
Encienda la herramienta en **ON** y en modo de nivel perpendicular y líneas de plomada **+**.
2. Coloque la herramienta en el piso y marque el centro del punto de plomada en el techo (punto I). También, marque el centro del punto de plomada en el piso (punto II).



3. Gire la herramienta 180°. Alinee el punto central del rayo láser directamente en el punto II del piso.
4. Marque el centro del punto de plomada superior en la línea de referencia del techo (punto III).



5. La distancia entre los puntos I y III en el techo es la desviación (d) de la herramienta. Esta distancia no debe superar 3 mm (1/8") como máximo a 10 m (33').
Para la distancia de medición de $2 \times 5 \text{ m} = 10 \text{ m}$ ($2 \times 33'$), la desviación (d) máxima permitida es: $10 \text{ m} \times \pm 3 \text{ mm} \div 10 \text{ m} = \pm 3 \text{ mm}$ ($33' \times \pm 1/8" \div 33' = \pm 1/8"$).

MANTENIMIENTO

⚠ ADVERTENCIA Para reducir el riesgo de lesión, siempre retire las baterías antes de realizar algún mantenimiento. Nunca desarme la herramienta.

Mantenimiento del nivel láser

Dé mantenimiento a las herramientas. Si se daña, asegúrese de que la herramienta sea reparada antes de utilizarse. La falta de mantenimiento de las herramientas puede ocasionar accidentes.

⚠ ADVERTENCIA Para reducir el riesgo de lesiones personales y daños materiales, nunca sumerja su herramienta en líquido ni permita que un líquido fluya hacia su interior.

Limpieza

Limpie el polvo y suciedad de las cualquier ventilas. Mantenga los herramienta, limpios, secos y libres de aceite o grasa. Use solo jabón neutro y un trapo húmedo para limpiar, ya que algunos substancias y solventes limpiadores son dañinos a los plásticos y partes aislantes. Algunos de estos incluyen: gasolina, turpentina, thinner, lacas, thinner para pinturas, solventes para limpieza con cloro, amoníaco y detergentes caseros que tengan amonía. Nunca usa solventes inflamables o combustibles cerca de una herramienta.

Limpieza de las lentes

Sople las partículas sueltas con aire comprimido limpio. Limpie cuidadosamente la superficie con un hisopo de algodón humedecido con agua.

Reparaciones

Si su herramienta, batería o cargador están dañados, envíela al centro de servicio autorizado más cercano.

ACCESORIOS

⚠ ADVERTENCIA Use las herramientas únicamente con accesorios específicamente designados. El uso de cualquier otro accesorio puede ocasionar un riesgo de lesiones.

SOPORTE DE SERVICIO - MEXICO

CENTRO DE ATENCION A CLIENTES

Techtronic Industries Mexico, S.A. de C.V.

Av. Presidente Masarik 29 Piso 7

11560 Polanco V Seccion

Miguel Hidalgo, Distrito Federal, México

01 (800) 030-7777 o (55) 4160-3540

Lunes a Viernes (9am a 6pm)

O contáctanos en www.milwaukeeool.com.mx

GARANTÍA LIMITADA - E.U.A. Y CANADÁ

Cada batería y cargador REDLITHIUM USB* de MILWAUKEE están garantizados para el comprador original únicamente de que no tenga material y mano de obra defectuosos. Sujeto a ciertas excepciones, MILWAUKEE reparará o reemplazará una batería o cargador REDLITHIUM USB que tenga defectos de material o mano de obra según lo determine MILWAUKEE mediante una revisión, por un periodo de dos (2) años después de la fecha de compra a menos que se indique lo contrario. Al devolver la batería o cargador REDLITHIUM USB a un Centro de Servicio de la fábrica de MILWAUKEE o a una Estación de Servicio Autorizada de MILWAUKEE, se requiere que el flete esté pagado por adelantado y asegurado. Para fines de un envío correcto de baterías, llame al 1.800.SAWDUST (1.800.729.3878) o visite www.milwaukeeool.com. Se debe incluir una copia del comprobante de compra con el producto devuelto. Esta garantía no aplica a daños que MILWAUKEE determine que son ocasionados por reparaciones o intentos de reparaciones realizados por una persona que no sea personal autorizado de MILWAUKEE, uso indebido, alteraciones, maltrato, desgaste normal, falta de mantenimiento o accidentes.

Desgaste normal: Esta garantía no cubre la reparación o reemplazo cuando el uso normal haya desgastado la vida de una parte, incluyendo pero sin limitarse a los cables de carga y enchufes de pared.

*Esta garantía no cubre ningún producto inalmábrico que se venda con la batería y/o cargador REDLITHIUM USB. Existen garantías por separado y distintas disponibles para estos productos.

LA ACEPTACIÓN DE LOS REMEDIOS EXCLUSIVOS DE REPARACIÓN Y REEMPLAZO AQUÍ DESCRITOS ES UNA CONDICIÓN DEL CONTRATO PARA LA COMPRA DE TODO PRODUCTO DE MILWAUKEE. SI USTED NO ACEPTA ESTA CONDICIÓN, NO DEBE COMPRAR EL PRODUCTO. MILWAUKEE NO SERÁ RESPONSABLE EN NINGÚN CASO DE DAÑOS INCIDENTALES, ESPECIALES, EMERGENTES O PUNITIVOS NI DE NINGÚN COSTO, HONORARIOS LEGALES, GASTOS, PÉRDIDAS O DEMORAS ALEGADAS COMO CONSECUENCIA DE ALGÚN DAÑO, FALLA O DEFECTO EN NINGÚN PRODUCTO, INCLUYENDO, ENTRE OTROS, RECLAMACIONES POR PÉRDIDA DE UTILIDADES. ALGUNOS ESTADOS NO PERMITEN LA EXCLUSIÓN O LIMITACIÓN DE RESPONSABILIDAD POR DAÑOS INCIDENTALES O EMERGENTES, POR LO QUE LA ANTERIOR LIMITACIÓN O EXCLUSIÓN PODRÍA NO APLICARSE EN SU CASO. ESTA GARANTÍA ES EXCLUSIVA Y REEMPLAZA TODAS LAS DEMÁS GARANTÍAS EXPRESAS, ESCRITAS U ORALES. EN LA MEDIDA EN QUE LO PERMITA LA LEY, MILWAUKEE DESCONOCE CUALQUIER GARANTÍA IMPLÍCITA, INCLUYENDO SIN LIMITACIÓN CUALQUIER GARANTÍA IMPLÍCITA DE COMERCIABILIDAD O IDONEIDAD PARA UN FIN O USO ESPECÍFICO; EN LA MEDIDA EN QUE DICHO DESCONOCIMIENTO NO SEA PERMITIDO POR LA LEY, DICHAS GARANTÍAS IMPLÍCITAS SE LIMITAN A LA DURACIÓN DE LA GARANTÍA EXPRESA CORRESPONDIENTE SEGÚN SE DESCRIBIÓ ANTERIORMENTE. ALGUNOS ESTADOS NO PERMITEN LIMITACIONES SOBRE LA DURACIÓN DE UNA GARANTÍA IMPLÍCITA, POR LO QUE LA ANTERIOR LIMITACIÓN PUDIERA NO APLICARSE A USTED. ESTA GARANTÍA LE DA DERECHOS LEGALES ESPECÍFICOS Y USTED PODRÍA ADEMÁS TENER OTROS DERECHOS QUE VARIAN DE UN ESTADO A OTRO.

Esta garantía aplica a productos vendidos en los Estados Unidos y en Canadá únicamente.

Consulte la Búsqueda de un Centro de Servicio en la sección de Refacciones y Servicio del sitio web de MILWAUKEE en www.milwaukeeool.com o llame al 1.800.SAWDUST (1.800.729.3878) para localizar el Centro de Servicio de fábrica MILWAUKEE más cercano a usted.

GARANTÍA LIMITADA - E.U.A. Y CANADÁ

Cada herramienta eléctrica* de MILWAUKEE (ver excepciones a continuación) está garantizada para el comprador original únicamente de que no tenga material y mano de obra defectuosos. Sujeto a ciertas excepciones, MILWAUKEE reparará o reemplazará cualquier parte en una herramienta eléctrica que tenga defectos de material o mano de obra según lo determine MILWAUKEE mediante una revisión, por un periodo de cinco (5) años** después de la fecha de compra a menos que se indique lo contrario. Al devolver la herramienta eléctrica a un Centro de Servicio de la fábrica de MILWAUKEE o a una Estación de Servicio Autorizada de MILWAUKEE, se requiere que el flete esté pagado por adelantado y asegurado. Se debe incluir una copia del comprobante de compra con el producto devuelto. Esta garantía no aplica a daños que MILWAUKEE determine que son ocasionados por reparaciones o intentos de reparaciones realizados por una persona que no sea personal autorizado de MILWAUKEE, uso indebido, alteraciones, maltrato, desgaste normal, falta de mantenimiento o accidentes. Desgaste normal: Muchas herramientas eléctricas necesitan un reemplazo periódico de partes y servicio para lograr el mejor desempeño. Esta garantía no cubre la reparación cuando el uso normal haya agotado la vida de una parte, incluyendo sin limitar a mandriles, cepillos, cables, zapatas de la sierra, abrazaderas de la hoja, juntas tóricas, sellos, protectores, hojas de desatornilladores, pistones, herrajes, levantalores y arandelas de cubierta de los protectores.

*Esta garantía no cubre clavadoras y grapadoras neumáticas, pistola de pintura a presión, baterías inalmábricas, generadores de energía portátil de gasolina, herramientas de mano, palanca y cadena de mano de polipasto -eléctricas, prendas calefactadas M12™, producto reacondicionado y productos de prueba y medición. Están disponibles distintas garantías independientes para estos productos.

**La vigencia de la garantía para los radios para obra, el puerto de energía M12™, la fuente de poder M18™, el ventilador para obra y las carretillas de trabajo industrial Trade Titan™ es de un (1) año a partir de la fecha de compra. La vigencia de la garantía para las llaves de impacto de alto torque con empuñadura en D de 1" M18 FUEL™, los cables de limpieza de drenajes, los accesorios de la pistola de aire para limpieza de drenajes AIRSNAKE™, los niveles láser USB REDLITHIUM™, el barreno de 0,3 m (25") TRAPSNAKE con CABLE DRIVE™, los accesorios para herramienta de prensado de FORCE LOGIC™ y láser de línea cruzada verde es de dos (2) años a partir de la fecha de compra. La vigencia de la garantía para la pistola de calor compacta M18™, el extractor de polvo de 30,3 l (8 gal.), las clavadoras de entramado M18™, la llave de impacto de torque controlado con yunque exterior de 1/2" M18 FUEL™ con ONE-KEY™, la llave de impacto de alto torque de 1" M18 FUEL™ con ONE-KEY™, el compresor silencioso compacto de 7,6 l (2 gal.) M18 FUEL™, los niveles láser M12™, el detector de láser de 19,8 m (65'), la clavadora de broches 23GA M12™, la ribeteadora ciega de 6,4 mm (1/4") M18 FUEL™ con ONE-KEY™, el raspador de neumáticos de baja velocidad M12 FUEL™, las pulidoras de órbita aleatoria M18 FUEL™, la engrapadora multiusos para cerca M18™, y la tripode láser de 1,8 m (72") es de tres (3) años a partir de la fecha de compra. La vigencia de la garantía para la luz LED de la lámpara de trabajo LED y del bulbo mejorado de LED de la lámpara de trabajo es de la vida útil del producto sujeto a las limitaciones anteriores. Si la luz LED o el bulbo LED falla durante el uso normal, se cambiará la pieza sin costo. No es necesario realizar el registro de la garantía para recibir la garantía correspondiente a un producto de herramienta eléctrica de MILWAUKEE. La fecha de fabricación del producto servirá para determinar la vigencia de la garantía si no se presenta ningún comprobante de compra al solicitar el servicio en garantía.

LA ACEPTACIÓN DE LOS RESARCIMIENTOS EXCLUSIVOS DE REPARACIÓN Y SUSTITUCIÓN AQUÍ DESCRITOS ES UNA CONDICIÓN DEL CONTRATO EN CUANTO A LA COMPRA DE TODO PRODUCTO DE MILWAUKEE. SI USTED NO ACEPTA ESTA CONDICIÓN, NO DEBE COMPRAR EL PRODUCTO. MILWAUKEE NO SERÁ RESPONSABLE EN NINGÚN CASO DE DAÑOS INCIDENTALES, ESPECIALES, EMERGENTES O PUNITIVOS NI DE NINGÚN COSTO, HONORARIOS DE ABOGADOS, GASTOS, PÉRDIDAS O DEMORAS QUE SUPUESTAMENTE SEAN CONSECUENCIA DE ALGÚN DAÑO, FALLA O DEFECTO DE ALGUNO DE LOS PRODUCTOS, INCLUYENDO, ENTRE OTROS, RECLAMACIONES POR PÉRDIDA DE UTILIDADES. ALGUNOS ESTADOS NO PERMITEN LA EXCLUSIÓN O LIMITACIÓN DE RESPONSABILIDAD POR DAÑOS INCIDENTALES O EMERGENTES, POR LO QUE LA ANTERIOR LIMITACIÓN O EXCLUSIÓN PODRÍA NO APLICARSE EN SU CASO. ESTA GARANTÍA ES EXCLUSIVA Y SUSTITUYE TODAS LAS DEMÁS GARANTÍAS EXPRESAS, SEAN ESTAS ESCRITAS U ORALES. HASTA DONDE PERMITA LA LEY, MILWAUKEE DESCONOCE CUALQUIER GARANTÍA IMPLÍCITA, INCLUYENDO SIN LIMITACIÓN CUALQUIER GARANTÍA IMPLÍCITA DE COMERCIABILIDAD O IDONEIDAD PARA UN FIN O USO ESPECÍFICO; HASTA EN QUE DICHO DESCONOCIMIENTO NO SEA PERMITIDO POR LA LEY, DICHAS GARANTÍAS IMPLÍCITAS SE LIMITAN A LA DURACIÓN DE LA GARANTÍA EXPRESA CORRESPONDIENTE SEGÚN LO ARRIBA DESCRITO. ALGUNOS ESTADOS NO PERMITEN LIMITACIONES EN LA VIGENCIA DE UNA GARANTÍA IMPLÍCITA, POR LO QUE LA ANTERIOR LIMITACIÓN PUDIERA NO APLICAR A USTED. ESTA GARANTÍA LE CONFIERE DERECHOS JURÍDICOS ESPECÍFICOS Y USTED PODRÍA, ADEMÁS, TENER OTROS DERECHOS QUE VARIAN SEGÚN EL ESTADO.

Esta garantía aplica únicamente a los productos vendidos en EE. UU. y Canadá.

Consulte la pestaña "Búsqueda de centro de servicio" en la sección de "Piezas y servicio" del sitio web de MILWAUKEE en www.milwaukeetool.com o llame al 1.800.SAWDUST (1.800.729.3878) para localizar su centro de servicio más cercano para darle servicio con y sin garantía a una herramienta eléctrica de Milwaukee.

PÓLIZA DE GARANTÍA - VALIDA SOLO PARA MÉXICO, AMÉRICA CENTRAL Y EL CARIBE

La garantía de TECHTRONIC INDUSTRIES es por 5 años a partir de la fecha original de compra.

Esta tarjeta de garantía cubre cualquier defecto de material y mano de obra en ese Producto.

Para hacer válida esta garantía, presente esta tarjeta de garantía, cerrada/sellada por el distribuidor o la tienda donde compró el producto, al Centro de Servicio Autorizado (ASC). O, si esta tarjeta no se ha cerrado/sellado, presente la prueba original de compra a ASC. Llame 55 4160-3547 para encontrar el ASC más cercano, para servicio, partes, accesorios o componentes.

Procedimiento para hacer válida esta garantía

Lleve el producto a ASC, junto con la tarjeta de garantía cerrada/sellada por el distribuidor o la tienda donde compró el producto, y cualquier pieza o componente defectuoso se reemplazará sin costo para usted. Cubriremos todos los costos de flete con relación a este proceso de garantía

Excepciones

Esta garantía no tendrá validez en las siguientes situaciones:

- Cuando el producto se use de manera distinta a la que indica el manual del usuario final o de instrucciones.
- Cuando las condiciones de uso no sean normales.
- Cuando otras personas no autorizadas por TECHTRONIC INDUSTRIES modifiquen o reparen el producto.

Nota: si el juego de cables está dañado, tiene que reemplazarse en un Centro de Servicio Autorizado para evitar riesgos eléctricos.

CENTRO DE SERVICIO Y ATENCIÓN

Llame al 55 4160-3547

IMPORTADO Y COMERCIALIZADO POR
TECHTRONIC INDUSTRIES, MÉXICO, S.A. DE C.V.
Miguel de Cervantes Saavedra No.301 Piso 5, Torre Norte
11520 Colonia Ampliación Granada
Miguel Hidalgo, Ciudad de Mexico, Mexico

Modelo: _____

Fecha de Compra: _____

Sello del Distribuidor: _____

MILWAUKEE TOOL
13135 West Lisbon Road
Brookfield, WI 53005 USA

58143521d4
02/22

00658143521Q0-04(A)
Printed in China