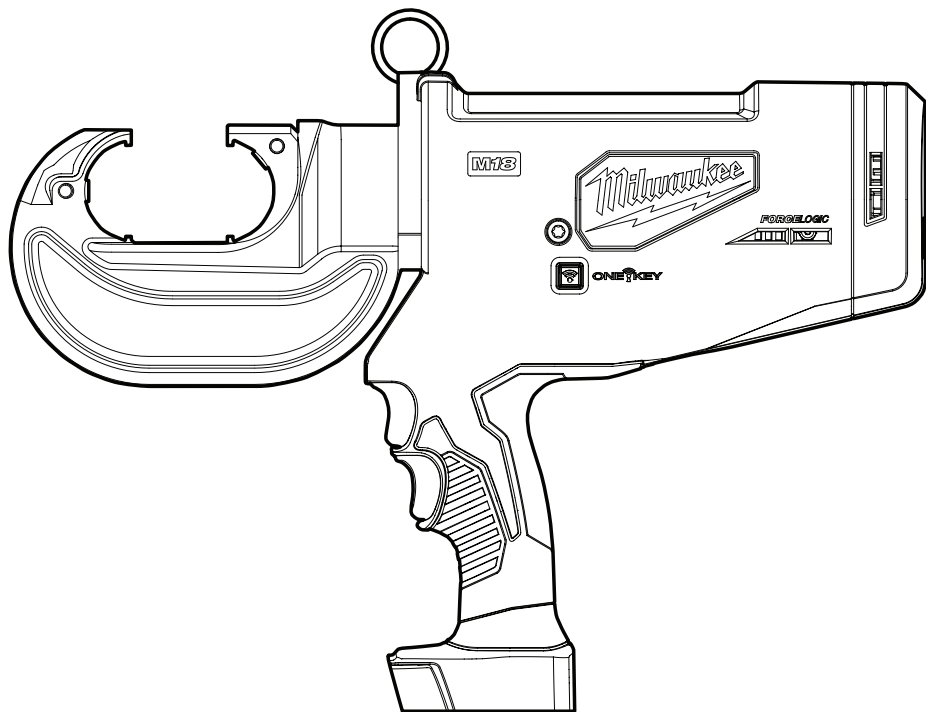




OPERATOR'S MANUAL  
MANUEL de L'UTILISATEUR  
MANUAL del OPERADOR



Cat. No. / No de cat.  
2779-20

**M18™ FORCE LOGIC™ 750 MCM CRIMPER**  
**SERTISSEUR UTILITAIRE 750 MCM M18™ FORCE LOGIC™**  
**CRIMPADORA 750 MCM UTILITARIA M18™ FORCE LOGIC™**



**WARNING** To reduce the risk of injury, user must read and understand operator's manual.

**AVERTISSEMENT** Afin de réduire le risque de blessures, l'utilisateur doit lire et bien comprendre le manuel.

**ADVERTENCIA** Para reducir el riesgo de lesiones, el usuario debe leer y entender el manual.

## GENERAL POWER TOOL SAFETY WARNINGS

**⚠WARNING** Read all safety warnings, instructions, illustrations and specifications provided with this power tool. Failure to follow all instructions listed below may result in electric shock, fire and/or serious injury. **Save all warnings and instructions for future reference.** The term "power tool" in the warnings refers to your mains-operated (corded) power tool or battery-operated (cordless) power tool.

### WORK AREA SAFETY

- **Keep work area clean and well lit.** Cluttered or dark areas invite accidents.
- **Do not operate power tools in explosive atmospheres, such as in the presence of flammable liquids, gases or dust.** Power tools create sparks which may ignite the dust or fumes.
- **Keep children and bystanders away while operating a power tool.** Distractions can cause you to lose control.

### ELECTRICAL SAFETY

- **Power tool plugs must match the outlet. Never modify the plug in any way. Do not use any adapter plugs with earthed (grounded) power tools.** Unmodified plugs and matching outlets will reduce risk of electric shock.
- **Avoid body contact with earthed or grounded surfaces, such as pipes, radiators, ranges and refrigerators.** There is an increased risk of electric shock if your body is earthed or grounded.
- **Do not expose power tools to rain or wet conditions.** Water entering a power tool will increase the risk of electric shock.
- **Do not abuse the cord. Never use the cord for carrying, pulling or unplugging the power tool. Keep cord away from heat, oil, sharp edges or moving parts.** Damaged or entangled cords increase the risk of electric shock.
- **When operating a power tool outdoors, use an extension cord suitable for outdoor use.** Use of a cord suitable for outdoor use reduces the risk of electric shock.
- **If operating a power tool in a damp location is unavoidable, use a ground fault circuit interrupter (GFCI) protected supply.** Use of an GFCI reduces the risk of electric shock.

### PERSONAL SAFETY

- **Stay alert, watch what you are doing and use common sense when operating a power tool. Do not use a power tool while you are tired or under the influence of drugs, alcohol or medication.** A moment of inattention while operating power tools may result in serious personal injury.
- **Use personal protective equipment. Always wear eye protection.** Protective equipment such as a dust mask, non-skid safety shoes, hard hat or hearing protection used for appropriate conditions will reduce personal injuries.

- **Prevent unintentional starting. Ensure the switch is in the off-position before connecting to power source and/or battery pack, picking up or carrying the tool.** Carrying power tools with your finger on the switch or energizing power tools that have the switch on invites accidents.
- **Remove any adjusting key or wrench before turning the power tool on.** A wrench or a key left attached to a rotating part of the power tool may result in personal injury.
- **Do not overreach. Keep proper footing and balance at all times.** This enables better control of the power tool in unexpected situations.
- **Dress properly. Do not wear loose clothing or jewelry. Keep your hair and clothing away from moving parts.** Loose clothes, jewelry or long hair can be caught in moving parts.
- **If devices are provided for the connection of dust extraction and collection facilities, ensure these are connected and properly used.** Use of dust collection can reduce dust-related hazards.
- **Do not let familiarity gained from frequent use of tools allow you to become complacent and ignore tool safety principles.** A careless action can cause severe injury within a fraction of a second.

### POWER TOOL USE AND CARE

- **Do not force the power tool. Use the correct power tool for your application.** The correct power tool will do the job better and safer at the rate for which it was designed.
- **Do not use the power tool if the switch does not turn it on and off.** Any power tool that cannot be controlled with the switch is dangerous and must be repaired.
- **Disconnect the plug from the power source and/ or remove the battery pack, if detachable, from the power tool before making any adjustments, changing accessories, or storing power tools.** Such preventive safety measures reduce the risk of starting the power tool accidentally.
- **Store idle power tools out of the reach of children and do not allow persons unfamiliar with the power tool or these instructions to operate the power tool.** Power tools are dangerous in the hands of untrained users.
- **Maintain power tools and accessories. Check for misalignment or binding of moving parts, breakage of parts and any other condition that may affect the power tool's operation. If damaged, have the power tool repaired before use.** Many accidents are caused by poorly maintained power tools.
- **Keep cutting tools sharp and clean.** Properly maintained cutting tools with sharp cutting edges are less likely to bind and are easier to control.
- **Use the power tool, accessories and tool bits etc. in accordance with these instructions, taking into account the working conditions and the work to be performed.** Use of the power tool for operations different from those intended could result in a hazardous situation.
- **Keep handles and grasping surfaces dry, clean and free from oil and grease.** Slippery handles and grasping surfaces do not allow for safe handling and control of the tool in unexpected situations.

## BATTERY TOOL USE AND CARE

- **Recharge only with the charger specified by the manufacturer.** A charger that is suitable for one type of battery pack may create a risk of fire when used with another battery pack.
- **Use power tools only with specifically designated battery packs.** Use of any other battery packs may create a risk of injury and fire.
- **When battery pack is not in use, keep it away from other metal objects, like paper clips, coins, keys, nails, screws or other small metal objects, that can make a connection from one terminal to another.** Shorting the battery terminals together may cause burns or a fire.
- **Under abusive conditions, liquid may be ejected from the battery; avoid contact. If contact accidentally occurs, flush with water. If liquid contacts eyes, additionally seek medical help.** Liquid ejected from the battery may cause irritation or burns.
- **Do not use a battery pack or tool that is damaged or modified.** Damaged or modified batteries may exhibit unpredictable behavior resulting in fire, explosion or risk of injury.
- **Do not expose a battery pack or tool to fire or excessive temperature.** Exposure to fire or temperature above 265°F (130°C) may cause explosion.
- **Follow all charging instructions and do not charge the battery pack or tool outside the temperature range specified in the instructions.** Charging improperly or at temperatures outside the specified range may damage the battery and increase the risk of fire.

## SERVICE

- **Have your power tool serviced by a qualified repair person using only identical replacement parts.** This will ensure that the safety of the power tool is maintained.
- **Never service damaged battery packs.** Service of battery packs should only be performed by the manufacturer or authorized service providers.

## SPECIFIC SAFETY RULES FOR CRIMPER

- **Use tool only as directed. Only trained personnel should operate tool.**
- **⚠WARNING** To reduce the risk of arc flash, electric shock and property damage, work on deenergized lines when possible. Tool is not insulated. Should work on energized lines be required, ensure all proper precautions, including those contained in NFPA 70E, have been taken first.
- **Use tool only with MILWAUKEE "U" dies and connectors for which they are rated. Jaws, dies, and connectors must be used in an APPROVED COMBINATION to achieve a successful operation.** Improper combinations can result in a faulty crimp. Electric shock, fire, explosion, and property damage could occur.
- **Keep hands away from crimping jaws while tool is in use.** Fingers could be crushed.
- **To reduce the risk of injury, wear safety goggles or glasses with side shields when operating or servicing the tool.**
- **Inspect and discard workpieces with cracks or wear before use. Materials may crack or shatter.**
- **Follow connector manufacturers' installation instructions.** Other uses may cause damage to the tool, accessories, and workpiece.
- **For best results, use only with energy absorbing lanyards. Ropes, straps or chains may break and cause failure. Do not use with lanyards at full tension.**
- **Chemical Burn Hazard. Keep coin cell battery away from children.**
- **Always use common sense and be cautious when using tools.** It is not possible to anticipate every situation that could result in a dangerous outcome. Do not use this tool if you do not understand these operating instructions or you feel the work is beyond your capability; contact Milwaukee Tool or a trained professional for additional information or training.
- **Maintain labels and nameplates.** These carry important information. If unreadable or missing, contact a MILWAUKEE service facility for a free replacement.
- **⚠WARNING** Some dust created by power sanding, sawing, grinding, drilling, and other construction activities contains chemicals known to cause cancer, birth defects or other reproductive harm. Some examples of these chemicals are:
  - lead from lead-based paint
  - crystalline silica from bricks and cement and other masonry products, and
  - arsenic and chromium from chemically-treated lumber.Your risk from these exposures varies, depending on how often you do this type of work. To reduce your exposure to these chemicals: work in a well ventilated area, and work with approved safety equipment, such as those dust masks that are specially designed to filter out microscopic particles.

Connections made with this tool (2779-20) and combination of die and connector part numbers in the charts below produce UL classified crimps according to the UL 486A-B standard.



**Table A - United States**

**Copper Short & Long Barrel Lugs & Splices**

Splice Model #s	Anderson	Blackburn®	Burndy	ILSCO	Panduit	Penn-Union	T&B		
	VHS, VHSS	CSP, CU	YS, YS-L, YS-T	CT, CTL	SCH, SCL, SCS, SCS	BBCU, BCU	54504-54523-TB, 54804-54823		
Lug Model #s	VHCL, VHCS	CTL, CTL-2, CTL-L, LCN	YA, YAZ, YA-L, YA-2L, YA-2LN, YA-L-NT, YA-L-2NT, YA-L-TC, YA-L-2TC, YA-2N, YA-TC, YA-2TC	CLN, CLND, CLNS, CLW, CLWD, CRA, CRB, CRA-L, CRB-L, CRA-2L, CRB-2L, CSW, CSWS	LCA, LCAS, LCB, LCC, LCD	BBLU, BLU	54104-54123-TB, 54204-54223, 54850BE-54880BE, 54930BE-54923BE		
Wire Size (Code only)	Die Color	Cat. No.	Die Indentation Mark	Lugs: Total # of Crimps Splices: # of Crimps per Side					
				Anderson	Blackburn®	Burndy	ILSCO	Panduit	Penn-Union
#8 AWG	RED	49-12-U008C	8	1	1	1	1	1	1
#6 AWG +	BLUE	49-12-U006C	6						
#4 AWG	GRAY	49-12-U004C	4						
#2 AWG +	BROWN	49-12-U002C	2						
#1 AWG +	GREEN	49-12-U001C	1						
1/0 AWG	PINK	49-12-U01AC	1/0						
2/0 AWG	BLACK	49-12-U02AC	2/0						
3/0 AWG	ORANGE	49-12-U03AC	3/0						
4/0 AWG	PURPLE	49-12-U04AC	4/0						
250 MCM	YELLOW	49-12-U250C	250						
300 MCM	WHITE	49-12-U300C	300	2					
350 MCM	RED	49-12-U350C	350						
400 MCM	BLUE	49-12-U400C	400	2	2	2	2	2	2
500 MCM	BROWN	49-12-U500C	500						
600 MCM	GREEN	49-12-U600C	600						
750 MCM	BLACK	49-12-U750C	750						

+ Concentric or Compressed only

**Dual Rated Lugs & Splices**

Splice Model #s	Anderson	Blackburn®	Burndy	ILSCO	Panduit	Penn-Union	T&B		
	VACS	ASP	YS-A	AS,ASN	SA	BCUA	60501-60578		
Lug Model #s	VACL	ATL	YA-A, YA-ATN	ACL, ACN,ALND, ALNS, 2ACL, 2ACN, ALNN	LAA, LAB	BLUA	60101-60178, 60230-60278		
Wire Size (Code only)	Die Color	Cat. No.	Die Indentation Mark	Lugs: Total # of Crimps Splices: # of Crimps per Side					
				Anderson	Blackburn®	Burndy	ILSCO	Panduit	Penn-Union
#8 AWG	BLUE	49-12-U008	8	Lugs: N/A Splices: 1	Lugs: 1 Splices: N/A	1	1	Lugs: 1 Splices: N/A	1
#6 AWG	GRAY	49-12-U006	6						
#4 AWG	GREEN	49-12-U004	4						
#2 AWG	PINK	49-12-U002	2						
#1 AWG	GOLD	49-12-U001	1						
1/0 AWG	TAN	49-12-U01A	1/0						
2/0 AWG	OLIVE	49-12-U02A	2/0						
3/0 AWG	RUBY	49-12-U03A	3/0						
4/0 AWG	WHITE	49-12-U04A	4/0						
250 MCM	RED	49-12-U250	250						
300 MCM	BLUE	49-12-U300	300						
350 MCM	BROWN	49-12-U350	350	3	3	3	3	3	3
400 MCM	GREEN	49-12-U400	400						
500 MCM	PINK	49-12-U500	500						
600 MCM	BLACK	49-12-U600	600						
750 MCM	YELLOW	49-12-U750	750						

Number of crimps is a minimum. Additional crimps would not negatively affect the integrity of the connection so long as they are uniformly placed between the intended crimp area of the connector, typically outlined with color bands or knurls. For the latest listing of approvals, visit milwaukeeetool.com. For technical or service assistance, contact Milwaukee Customer Service at 1-800-729-3878.

Connections made with this tool (2779-20) and combination of die and connector part numbers in the charts below produce UL classified crimps according to the UL 486A-B standard.



**Table B - Canada and Mexico**

**Copper Short & Long Barrel Lugs & Splices**

Splice Model #s	Anderson	Blackburn®	Burdny	ILSCO	Panduit	Penn-Union	T&B			
	VHS, VHSS	CSP, CU	YS, YS-L, YS-T	CT, CTL	SCH, SCL, SCS, SCS	BBCU, BCU	54504-54523-TB, 54804-54823			
Lug Model #s	VHCL, VHCS	CTL, CTL-2, CTL-L, LCN	YA, YAZ, YA-L, YA-2L, YA-2LN, YA-L-NT, YA-L-2NT, YA-L-TC, YA-L-2TC, YA-2N, YA-TC, YA-2TC	CLN, CLND, CLNS, CLW, CLWD, CRA, CRB, CRA-L, CRB-L, CRA-2L, CRB-2L, CSW, CSWS	LCA, LCAS, LCB, LCC, LCD	BBLU, BLU	54104-54123-TB, 54204-54223, 54850BE-54880BE, 54930BE-54923BE			
Wire Size (Code only)	Die Color	Cat. No.	Die Indentation Mark	Lugs: Total # of Crimps Splices: # of Crimps per Side						
				Anderson	Blackburn®	Burdny	ILSCO	Panduit	Penn-Union	T&B
#8 AWG	RED	49-12-U008C	8		1					1
#6 AWG	BLUE	49-12-U006C	6						1	
#4 AWG	GRAY	49-12-U004C	4		1					1
#2 AWG	BROWN	49-12-U002C	2	1						
#1 AWG	GREEN	49-12-U001C	1							
1/0 AWG	PINK	49-12-U01AC	1/0							
2/0 AWG	BLACK	49-12-U02AC	2/0							
3/0 AWG	ORANGE	49-12-U03AC	3/0							
4/0 AWG	PURPLE	49-12-U04AC	4/0	1	1	1	1	1	1	1
250 MCM	YELLOW	49-12-U250C	250							
300 MCM	WHITE	49-12-U300C	300	2						
350 MCM	RED	49-12-U350C	350	Lugs: 2 Splices: N/A						
400 MCM	BLUE	49-12-U400C	400		2	2	2	2	2	2
500 MCM	BROWN	49-12-U500C	500							
600 MCM	GREEN	49-12-U600C	600	2						
750 MCM	BLACK	49-12-U750C	750							

**Dual Rated Lugs & Splices**

Splice Model #s	Anderson	Blackburn®	Burdny	ILSCO	Panduit	Penn-Union	T&B			
	VACS	ASP	YS-A	AS,ASN	SA	BCUA	60501-60578			
Lug Model #s	VACL	ATL	YA-A, YA-ATN	ACL, ACN,ALND, ALNS, 2ACL, 2ACN, ALNN	LAA, LAB	BLUA	60101-60178, 60230-60278			
Wire Size (Code only)	Die Color	Cat. No.	Die Indentation Mark	Lugs: Total # of Crimps Splices: # of Crimps per Side						
				Anderson	Blackburn®	Burdny	ILSCO	Panduit	Penn-Union	T&B
#8 AWG	BLUE	49-12-U008	8							
#6 AWG	GRAY	49-12-U006	6							
#4 AWG	GREEN	49-12-U004	4							
#2 AWG	PINK	49-12-U002	2	1	1				1	
#1 AWG	GOLD	49-12-U001	1							
1/0 AWG	TAN	49-12-U01A	1/0							
2/0 AWG	OLIVE	49-12-U02A	2/0							
3/0 AWG	RUBY	49-12-U03A	3/0							
4/0 AWG	WHITE	49-12-U04A	4/0	2	2	2	2	2	2	2
250 MCM	RED	49-12-U250	250							
300 MCM	BLUE	49-12-U300	300							
350 MCM	BROWN	49-12-U350	350							
400 MCM	GREEN	49-12-U400	400							
500 MCM	PINK	49-12-U500	500							
600 MCM	BLACK	49-12-U600	600	3	3	3	3	3	3	3
750 MCM	YELLOW	49-12-U750	750							

Number of crimps is a minimum. Additional crimps would not negatively affect the integrity of the connection so long as they are uniformly placed between the intended crimp area of the connector, typically outlined with color bands or knurls. For the latest listing of approvals, visit milwaukeeetool.com. For technical or service assistance, contact Milwaukee Customer Service at 1-800-729-3878.

## SYMBOLLOGY

V Volts

— Direct Current



**▲WARNING** To reduce the risk of arc flash, electric shock and property damage, work on deenergized lines when possible. Tool is not insulated. Should work on energized lines be required, ensure all proper precautions, including those contained in NFPA 70E, have been taken first.



**▲WARNING** Keep hands away from crimping jaws while tool is in use. Fingers could be crushed.



To reduce the risk of injury, wear safety goggles or glasses with side shields when operating or servicing the tool.



Read operator's manual.

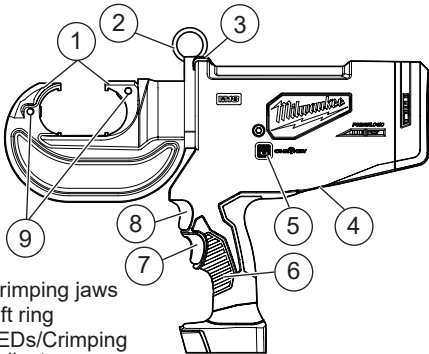


Underwriters Laboratories, Inc.

## SPECIFICATIONS

Cat. No.....	2779-20
Volts.....	18 DC
Battery Type.....	M18™
Charger Type.....	M18™
Module/FCC ID.....	BLE113/QQBLE113
Force.....	12 Tons
Capacity.....	#8 AWG - 750 MCM
Recommended Ambient Operating Temperature.....	0°F to 122°F

## FUNCTIONAL DESCRIPTION



- |                            |                     |
|----------------------------|---------------------|
| 1. Crimping jaws           | 7. Reverse trigger  |
| 2. Lift ring               | 8. Trigger          |
| 3. LEDs/Crimping indicator | 9. Die release pins |
| 4. Internal battery        |                     |
| 5. ONE KEY™ indicator      |                     |
| 6. Handle                  |                     |

## ASSEMBLY

**▲WARNING** Recharge only with the charger specified for the battery. For specific charging instructions, read the operator's manual supplied with your charger and battery.

### Removing/Inserting the Battery

To **remove** the battery, push in the release buttons and pull the battery pack away from the tool.

**▲WARNING** Always remove the battery pack any time the tool is not in use.

To **insert** the battery, slide the pack into the body of the tool. Make sure it latches securely into place.

**▲WARNING** Only use accessories specifically recommended for this tool. Others may be hazardous.

An incomplete or faulty crimp could cause a fire. Use tool only with MILWAUKEE "U" dies and connectors for which they are rated. Jaws, dies, and connectors must be used in an approved combination to achieve a successful operation. Improper combinations can result in a faulty crimp. Electric shock, fire, explosion, and property damage could occur.

### Changing the Dies

Inspect dies and connectors before use. Only use properly matched dies and connectors for the crimping jaws. Refer to Specifications for die/connector compatibility.

- WARNING!** Remove battery to avoid starting the tool.
- Snap the appropriate dies into each side of the crimping jaws.
- To remove, press the release button for each side of the crimping jaws. Pull dies out from crimping jaws.


### ONE-KEY™

To learn more about the ONE-KEY™ functionality for this tool, go to [milwaukee.com/One-Key](http://milwaukee.com/One-Key). To download the ONE-KEY™ app, visit the App Store® or Google Play™ from your smart device.

#### ONE-KEY™ Indicator

Solid Blue	Wireless mode is active and ready to be configured via the ONE-KEY™ app.
Blinking Blue	Tool is actively communicating with the ONE-KEY™ app.
Blinking Red	Tool is in security lockout and can be unlocked by the owner via the ONE-KEY™ app.

## OPERATION

**⚠WARNING** To reduce the risk of arc flash, electric shock and property damage, work on deenergized lines when possible. Tool is not insulated.  Should work on energized lines be required, ensure all proper precautions, including those contained in NFPA 70E, have been taken first.

Keep hands away from crimping jaws while tool is in use. Fingers could be crushed. 

Always wear proper eye protection marked to comply with ANSI Z87.1.

### Crimping

Before crimping:

- Inspect the jaws and dies for cracks or other damage. Do not use damaged jaws or dies. Contact a MILWAUKEE service facility.
- Ensure dies are properly installed.
- Jaws, dies, connectors, and cables must be used in an APPROVED COMBINATION. Improper combinations can result in a faulty crimp.
- Inspect and discard workpieces with cracks or wear before use. Materials may crack or shatter.
- Follow installation specifications as specified in **Table A or B** using an Approved Combination of jaws, dies, connectors and cables as indicated. Other uses may cause damage to the tool, accessories, and workpiece.

1. Install the dies.
2. Insert battery pack.
3. Rotate the jaws to the desired angle. Hold tool securely. Press and hold the trigger.
4. When the cycle is complete the tool will switch off and the indicator will light. Release the trigger. Press and hold the reverse trigger to manually return the crimping jaws.

**NOTE:** After the cycle reaches a certain point, the crimp may automatically finish, even if the trigger is released.

LED Indicator	Definition
Solid Green	Tool completed the operation and reached full crimping pressure.
Solid Red	Tool completed the operation but did NOT reach full crimping pressure.
Flashing Red	Tool did NOT complete the operation.
Flashing Red/Green (after Solid Green or Solid Red)	Tool has reached its service interval (20,000 crimps). Red/ Green flashing will begin after the solid Red or Green indicator for the operation is displayed. MILWAUKEE recommends that the tool be inspected and preventative maintenance completed. Return tool to a MILWAUKEE service facility.

5. Continue crimping according to the instructions in **Table A or B**, or the connector manufacturer's installation instructions.

- Crimps should be uniformly placed on the barrel of the connector.
- Crimps should be reasonably placed within the color bands or knurled area of the connector.
- For **splices**, begin crimping in the center, working outward while alternating sides.
- For **lugs**, begin crimping near the pad, working towards the barrel.

6. An LED will light the workpiece when the trigger is pulled.

7. The die identifier is pressed into the connector during the crimp.

## MAINTENANCE

**⚠WARNING** To reduce the risk of injury, always unplug the charger and remove the battery pack from the charger or tool before performing any maintenance. Never disassemble the battery pack, charger, or tool, except as provided in these instructions. Contact a MILWAUKEE service facility for all other repairs.

### Maintaining Tool

Keep your tool, battery pack and charger in good repair by adopting a regular maintenance program. Inspect your tool for issues such as undue noise, misalignment or binding of moving parts, breakage of parts, or any other condition that may affect the tool operation. Return the tool, battery pack, and charger to a MILWAUKEE service facility for repair. After six months to one year, depending on use, return the tool, battery pack and charger to a MILWAUKEE service facility for inspection.

If the tool does not start or operate at full power with a fully charged battery pack, clean the contacts on the battery pack. If the tool still does not work properly, return the tool, charger and battery pack, to a MILWAUKEE service facility for repairs.

### ONE-KEY™

Refer to the ONE-KEY App for information regarding necessary servicing, such as internal battery life and crimp count.

**⚠WARNING** Chemical Burn Hazard.

This device contains a lithium button/coin cell battery. A new or used battery can cause severe internal burns and lead to death in as little as 2 hours if swallowed or enters the body. Always secure the battery cover. If it does not close securely, stop using the device, remove the batteries, and keep it away from children. If you think batteries may have been swallowed or entered the body, seek immediate medical attention.



### Internal Coin Cell Battery

An internal coin cell battery is used to facilitate full ONE-KEY™ functionality.

To replace the coin cell battery:

1. **WARNING!** Remove battery to avoid starting the tool.
2. Remove the screw(s) and open the coin cell battery door.
3. Remove the old coin cell battery, keep it away from children, and dispose of it properly.
4. Insert the new coin cell battery (3V CR2032), with the positive side facing up.
5. Close the battery door and tighten the screw(s) securely.

**⚠WARNING** To reduce the risk of personal injury and damage, never immerse your tool, battery pack or charger in liquid or allow a liquid to flow inside them.

### Cleaning

Clean dust and debris from any vents. Keep tool clean, dry and free of oil or grease. Use only mild soap and a damp cloth to clean, since certain cleaning agents and solvents are harmful to plastics and other insulated parts. Some of these include gasoline, turpentine, lacquer thinner, paint thinner, chlorinated cleaning solvents, ammonia and household detergents containing ammonia. Never use flammable or combustible solvents around tools.

### Repairs

For repairs, return the tool, battery pack and charger to the nearest authorized service center.

### ACCESSORIES

**⚠WARNING** Use only recommended accessories. Others may be hazardous.

For a complete listing of accessories, go online to [www.milwaukeetool.com](http://www.milwaukeetool.com) or contact a distributor.

### WIRELESS COMMUNICATION

For products provided with wireless communication features, including ONE-KEY™:

Pursuant to part 15.21 of the FCC Rules, do not modify this product. Modification could void your authority to operate the product. This device complies with part 15 of the FCC Rules and ISED-Canada's license exempt RSS standards. Operation is subject to the following two conditions: 1) This device may not cause harmful interference, and 2) This device must accept any interference received, including interference that may cause undesired operation.

### SERVICE - UNITED STATES

**1-800-SAWDUST** (1.800.729.3878)

Monday-Friday, 7:00 AM - 6:30 PM CST  
or visit [www.milwaukeetool.com](http://www.milwaukeetool.com)

Contact Corporate After Sales Service Technical Support with technical, service/repair, or warranty questions.

Email: [metproductsupport@milwaukeetool.com](mailto:metproductsupport@milwaukeetool.com)

Become a Heavy Duty Club Member at [www.milwaukeetool.com](http://www.milwaukeetool.com) to receive important notifications regarding your tool purchases.

### SERVICE - CANADA

**Milwaukee Tool (Canada) Ltd**

**1.877.948.2360**

Monday-Friday, 7:00 AM - 4:30 PM CST  
or visit [www.milwaukeetool.ca](http://www.milwaukeetool.ca)

### LIMITED WARRANTY USA & CANADA

This MILWAUKEE power tool\* is warranted to the original purchaser from an authorized MILWAUKEE distributor only to be free from defects in material and workmanship. Subject to certain exceptions, MILWAUKEE will repair or replace any part on this power tool which, after examination, is determined by MILWAUKEE to be defective in material or workmanship for a period of five (5) years after the date of purchase unless otherwise noted. Return of the power tool to a MILWAUKEE factory Service Center location or MILWAUKEE Authorized Service Station, freight prepaid and insured, is required. A copy of the proof of purchase should be included with the return product. This warranty does not apply to damage that MILWAUKEE determines to be from repairs made or attempted by anyone other than MILWAUKEE authorized personnel, misuse, alterations, abuse, normal wear and tear, lack of maintenance, or accidents.

**Normal Wear:** Many power tools need periodic parts replacement and service to achieve best performance. This warranty does not cover repair when normal use has exhausted the life of a part including, but not limited to, chucks, brushes, cords, saw shoes, blade clamps, o-rings, seals, bumpers, driver blades, pistons, strikers, lifters, and bumper cover washers.

\*This warranty does not cover battery packs or all power tools. Refer to the separate and distinct warranties available for those products. The warranty period for the LED in the LED Work Light (49-24-0171) and the LED Upgrade Bulb (49-81-0090) is the lifetime of the product subject to the limitations above. If during normal use the LED or LED Upgrade Bulb fails, the part will be replaced free of charge.

Warranty Registration is not necessary to obtain the applicable warranty on a MILWAUKEE power tool product. The manufacturing date of the product will be used to determine the warranty period if no proof of purchase is provided at the time warranty service is requested.

ACCEPTANCE OF THE EXCLUSIVE REPAIR AND REPLACEMENT REMEDIES DESCRIBED HEREIN IS A CONDITION OF THE CONTRACT FOR THE PURCHASE OF EVERY MILWAUKEE PRODUCT. IF YOU DO NOT AGREE TO THIS CONDITION, YOU SHOULD NOT PURCHASE THE PRODUCT. IN NO EVENT SHALL MILWAUKEE BE LIABLE FOR ANY INCIDENTAL, SPECIAL, CONSEQUENTIAL, OR PUNITIVE DAMAGES, OR FOR ANY COSTS, ATTORNEY FEES, EXPENSES, LOSSES OR DELAYS ALLEGED TO BE AS A CONSEQUENCE OF ANY DAMAGE TO, FAILURE OF, OR DEFECT IN ANY PRODUCT INCLUDING, BUT NOT LIMITED TO, ANY CLAIMS FOR LOSS OF PROFITS. SOME STATES DO NOT ALLOW THE EXCLUSION OR LIMITATION OF INCIDENTAL OR CONSEQUENTIAL DAMAGES, SO THE ABOVE LIMITATION OR EXCLUSION MAY NOT APPLY TO YOU. THIS WARRANTY IS EXCLUSIVE AND IN LIEU OF ALL OTHER EXPRESS WARRANTIES, WRITTEN OR ORAL, TO THE EXTENT PERMITTED BY LAW, MILWAUKEE DISCLAIMS ANY IMPLIED WARRANTIES, INCLUDING WITHOUT LIMITATION ANY IMPLIED WARRANTY OF MERCHANTABILITY OR FITNESS FOR A PARTICULAR USE OR PURPOSE. TO THE EXTENT SUCH DISCLAIMER IS NOT PERMITTED BY LAW, SUCH IMPLIED WARRANTIES ARE LIMITED TO THE DURATION OF THE APPLICABLE EXPRESS WARRANTY AS DESCRIBED ABOVE. SOME STATES DO NOT ALLOW LIMITATIONS ON HOW LONG AN IMPLIED WARRANTY LASTS, SO THE ABOVE LIMITATION MAY NOT APPLY TO YOU, THIS WARRANTY GIVES YOU SPECIFIC LEGAL RIGHTS, AND YOU MAY ALSO HAVE OTHER RIGHTS WHICH VARY FROM STATE TO STATE.

This warranty applies to product sold in the U.S.A. and Canada only. Please consult the 'Service Center Search' in the Parts & Service section of MILWAUKEE's website [www.milwaukeetool.com](http://www.milwaukeetool.com) or call 1.800.SAWDUST (1.800.729.3878) to locate your nearest service facility for warranty and non-warranty service on a MILWAUKEE power tool.



## RÈGLES DE SÉCURITÉ GÉNÉRALES RELATIVES AUX OUTILS ÉLECTRIQUES

**▲ AVERTISSEMENT** Lire toutes les consignes de sécurité, consignes, illustrations et spécifications fournies avec cet outil électrique. Ne pas suivre l'ensemble des règles et instructions peut entraîner une électrocution, un incendie ou des blessures graves. **Conserver les règles et les instructions à des fins de référence ultérieure.** Le terme «outil électrique» figurant dans les avertissements ci-dessous renvoie à l'outil électrique à alimentation par le réseau (à cordon) ou par batterie (sans fil).

### SÉCURITÉ DU LIEU DE TRAVAIL

- **Veillez à ce que l'aire de travail soit propre et bien éclairée.** Le désordre et le manque de lumière favorisent les accidents.
- **Ne pas utiliser d'outils électriques dans des atmosphères explosives, par exemple en présence de liquides, gaz ou poussières inflammables.** Les outils électriques produisent des étincelles risquant d'enflammer les poussières ou vapeurs.
- **S'assurer que les enfants et les curieux se trouvent à une bonne distance au moment d'utiliser un outil électrique.** Les distractions peuvent causer une perte de contrôle.

### SÉCURITÉ ÉLECTRIQUE

- **Les fiches des outils électriques doivent correspondre à la prise secteur utilisée.** Ne jamais modifier la fiche, de quelque façon que ce soit. Ne jamais utiliser d'adaptateurs de fiche avec des outils mis à la terre. Les fiches et prises non modifiées réduisent le risque de choc électrique.
- **Éviter tout contact avec des surfaces mises à la terre comme des tuyaux, des radiateurs, des cuisinières et des réfrigérateurs.** Le risque de choc électrique est accru lorsque le corps est mis à la terre.
- **Ne pas exposer les outils électriques à l'eau ou l'humidité.** La pénétration d'eau dans ces outils accroît le risque de choc électrique.
- **Ne pas maltraiter le cordon d'alimentation.** Ne jamais utiliser le cordon d'alimentation pour transporter l'outil électrique et ne jamais débrancher ce dernier en tirant sur le cordon. Garder le cordon à l'écart de la chaleur, de l'huile, des objets tranchants et des pièces en mouvement. Un cordon endommagé ou emmêlé accroît le risque de choc électrique.
- **Pour les travaux à l'extérieur, utiliser un cordon spécialement conçu à cet effet.** Utiliser un cordon conçu pour l'usage extérieur réduit les risques de choc électrique.
- **Si l'utilisation d'un outil électrique est inévitable dans un endroit humide, utiliser une source d'alimentation munie d'un disjoncteur de fuite de terre.** L'utilisation d'un disjoncteur de fuite de terre réduit le risque de choc électrique.

### SÉCURITÉ INDIVIDUELLE

- **Rester attentif, prêter attention au travail et faire preuve de bon sens lors de l'utilisation de tout outil électrique.** Ne pas utiliser cet appareil en cas de fatigue ou sous l'influence de l'alcool, de drogues ou de médicaments. Un moment d'inattention pendant l'utilisation d'un outil électrique peut entraîner des blessures graves.
- **Porter l'équipement de protection individuel requis. Toujours porter une protection oculaire.**

Selon les conditions, porter aussi un masque antipoussières, des bottes de sécurité antidérapantes, un casque protecteur ou une protection auditive afin de réduire les blessures.

- **Empêcher les démarrages accidentels. S'assurer que la gâchette est en position d'arrêt avant de brancher l'outil à une source de courant, d'insérer la batterie, de le ramasser ou de le transporter.** Le fait de transporter un outil électrique en gardant le doigt sur la gâchette ou de mettre sous tension un outil électrique lorsque la gâchette est en position de marche favorise les accidents.
- **Retirer les clés de réglage avant de mettre l'outil en marche.** Une clé laissée sur une pièce rotative de l'outil peut causer des blessures.
- **Ne pas travailler hors de portée. Toujours se tenir bien campé et en équilibre.** Une bonne stabilité procure un meilleur contrôle de l'outil électrique en cas d'imprévu.
- **Porter une tenue appropriée. Ne porter ni vêtements amples, ni bijoux. Garder les cheveux et les vêtements à l'écart des pièces en mouvement.** Les vêtements flottants, les bijoux ou les cheveux longs risquent d'être happés par les pièces en mouvement.
- **Si les outils sont équipés de dispositifs de dépoussiérage, s'assurer qu'ils sont connectés et correctement utilisés.** L'utilisation d'un collecteur de poussière permet de réduire les dangers liés à la poussière.
- **Ne pas laisser la familiarité avec l'outil acquise par une utilisation fréquente vous rendre suffisant et vous amener à ignorer les règles de sécurité.** Une utilisation négligée peut causer une blessure grave en une fraction de seconde.

### UTILISATION ET ENTRETIEN DE L'OUTIL ÉLECTRIQUE

- **Ne pas forcer l'outil électrique. Utiliser l'outil électrique approprié pour l'application.** Un outil électrique approprié exécutera le travail mieux et de façon moins dangereuse s'il est utilisé dans les limites prévues.
- **Ne pas utiliser l'outil électrique si le commutateur ne permet pas de le mettre en marche ou de l'arrêter.** Tout outil électrique qui ne peut pas être contrôlé par son commutateur est dangereux et doit être réparé.
- **Débrancher l'outil et/ou retirer le bloc-piles, si possible, avant d'effectuer des réglages, de changer d'accessoire ou de remiser l'outil.** Ces mesures de sécurité préventives réduisent les risques de démarrage accidentel de l'outil.
- **Entreposer l'outil électrique hors de la portée des enfants et interdire à quiconque de l'utiliser si la personne ne connaît pas bien le produit ou les instructions.** Les outils électriques sont dangereux dans les mains d'utilisateurs novices.
- **Entretenir les outils électriques et les accessoires.** Vérifier qu'aucune pièce mobile n'est mal alignée ou bloquée, qu'aucune pièce n'est brisée et s'assurer qu'aucun autre problème risque d'affecter le bon fonctionnement de l'outil. En cas de dommages, faire réparer l'outil avant de l'utiliser. Plusieurs accidents sont causés par des produits mal entretenus.
- **Garder les outils bien affûtés et propres.** Des outils correctement entretenus et dont les tranchants sont bien affûtés risquent moins de se bloquer et sont plus faciles à contrôler.

- **Utiliser l'outil électrique, les accessoires, les embouts etc. conformément à ces instructions en tenant compte des conditions de travail et de la tâche à effectuer.** L'usage d'un outil électrique pour des applications pour lesquelles il n'est pas conçu peut être dangereux.
- **Garder les poignées et les surfaces de préhension sèches, propres et exemptes d'huile ou de graisse.** Des poignées et des surfaces de préhension glissantes ne permettent pas de manipuler et de contrôler l'outil en toute sécurité en cas de situation imprévue.

## UTILISATION ET ENTRETIEN DE LA BATTERIE

- **Pour recharger le bloc-piles, utiliser seulement le chargeur spécifié par le fabricant.** Un chargeur pouvant convenir à un type de bloc-piles peut entraîner un risque d'incendie lorsqu'il est utilisé avec un autre type de bloc-piles.
- **N'utiliser l'outil électrique qu'avec une batterie recommandée.** L'utilisation de tout autre bloc-piles peut créer un risque de blessures et d'incendie.
- **Lorsque le bloc-piles n'est pas utilisé, le tenir éloigné des objets en métal tels que les trombones, les pièces de monnaie, les clés, les clous, les vis ou d'autres petits objets métalliques qui pourraient connecter les bornes.** Le court-circuitage des bornes d'une pile peut entraîner des brûlures ou un incendie.
- **Éviter tout contact avec le liquide pouvant être éjecté de la pile en cas de manutention abusive.** En cas de contact accidentel, rincer immédiatement les parties atteintes avec de l'eau. Si le liquide entre en contact avec les yeux, consulter un médecin. Le liquide éjecté des piles peut causer des irritations ou des brûlures.
- **N'utiliser aucun bloc-piles ni aucun outil ayant été endommagé ou modifié.** Des piles endommagées ou modifiées peuvent adopter un comportement imprévisible pouvant causer un incendie, une explosion ou le risque de blessures.
- **Ne pas exposer le bloc-piles ou l'outil aux flammes ou à une température excessive.** Une exposition aux flammes ou à une température supérieure à 130°C (265°F) peut causer une explosion.
- **Suivre toutes les instructions de charge et ne pas charger le bloc-piles ou l'outil en dehors de la plage de température spécifiée.** Une charge incorrecte ou à des températures en dehors de la plage spécifiée peut endommager la pile et augmenter le risque d'incendie.

## ENTRETIEN

- **Les réparations de l'outil électrique doivent être confiées à un technicien qualifié, utilisant exclusivement des pièces identiques à celles d'origine.** Le maintien de la sûreté de l'outil électrique sera ainsi assuré.
- **Ne jamais effectuer la réparation d'un bloc-piles endommagé.** La réparation du bloc-piles doit être réalisée par le fabricant ou les fournisseurs de service agréés uniquement.

## RÈGLES DE SÉCURITÉ SPÉCIFIQUES SERTISSEUR UTILITAIRE

- **Utiliser l'outil seulement comme indiqué. Seul le personnel qualifié devrait utiliser l'outil.**

- **⚠ AVERTISSEMENT** Pour réduire le risque de flash d'arc, de choc électrique et de dommages matériels, travaillez sur des lignes désénergées lorsque cela est possible. L'outil n'est pas isolé. Si le travail sur les lignes sous tension est nécessaire, assurez-vous que toutes les précautions appropriées, y compris celles contenues dans la norme NFPA 70E, ont été prises en premier.
- **Avec cet outil, n'utiliser que des matrices en « U » avec des cosses de connexion de taille conjointe.** Pour réaliser un sertissage approuvé, Les mâchoires, matrices et connecteurs doivent être de COMBINAISON DE TAILLE APPROPRIÉE. Des combinaisons incompatibles peuvent résulter en un sertissage défectueux. Une occurrence de choc électrique, un incendie, une explosion et des dommages matériels pourraient se produire.
- **Gardez vos mains loin des mâchoires de sertissage lorsque vous utilisez l'outil.** Vos doigts risquent d'être écrasés.
- **Pour réduire le risque de blessure, porter des lunettes de sécurité ou des lunettes avec écrans latéraux pendant l'utilisation ou l'entretien de l'outil.**
- **Inspectez et jetez les pièces présentant des fissures ou usées avant l'utilisation.** Les matériaux peuvent se fissurer ou se briser.
- **Suivez les instructions d'installation du fabricant des connecteurs.** D'autres utilisations peuvent endommager l'outil, les accessoires et les pièces.
- **Pour de meilleurs résultats, utiliser avec les langes d'amortissement d'énergie uniquement.** Les cordons, les sangles et les chaînes pourront se casser et provoquer des échecs. Ne pas l'utiliser avec de langes totalement tendues.
- **Risque de brûlure chimique.** Gardez la batterie des cellules de hors de la portée des enfants.
- **Toujours faire preuve de bon sens et procéder avec prudence lors de l'utilisation d'outils.** C'est impossible de prévoir toutes les situations dont le résultat est dangereux. Ne pas utiliser cet outil si vous ne comprenez pas ces instructions d'opération ou si vous pensez que le travail dépasse votre capacité ; veuillez contacter Milwaukee Tool ou un professionnel formé pour recevoir plus d'information ou formation.
- **Maintenir en l'état les étiquettes et les plaques d'identification.** Des informations importantes y figurent. Si elles sont illisibles ou manquantes, contacter un centre de services et d'entretien MILWAUKEE pour un remplacement gratuit.

- **⚠ AVERTISSEMENT** Certaines poussières générées par les activités de ponçage, de coupe, de rectification, de perçage et d'autres activités de construction contiennent des substances considérées être la cause de malformations congénitales et de troubles de l'appareil reproducteur. Parmi ces substances figurent :
  - le plomb contenu dans les peintures à base de plomb ;
  - la silice cristalline des briques, du ciment et d'autres matériaux de maçonnerie, ainsi que
  - l'arsenic et le chrome des sciages traités chimiquement.

Les risques encourus par l'opérateur envers ces expositions varient en fonction de la fréquence de ce type de travail. Pour réduire l'exposition à ces substances chimiques, l'opérateur doit : travailler dans une zone bien ventilée et porter l'équipement de sécurité approprié, tel qu'un masque anti-poussière spécialement conçu pour filtrer les particules microscopiques.

Les connexions réalisées avec cet outil (2779-20) et la combinaison matrice-connecteur dont vous pouvez trouver les références dans les graphiques ci-dessous produisent des sertissages homologués UL selon la norme de UL 486A-B.



Tableau A - États-Unis

Cosses et épissures courtes et longues en cuivre

Modèles d'épissures numéros	Anderson	Blackburn®	Burndy	ILSCO	Panduit	Penn-Union	T&B			
	VHS, VHSS	CSP, CU	YS, YS-L, YS-T	CT, CTL	SCH, SCL, SCS, SCSS	BBCU, BCU	54504-54523-TB, 54804-54823			
Modèles de cosses numéros	VHCL, VHCS	CTL, CTL-2, CTL-L, LCN	YA, YAZ, YA-L, YA-2L, YA-2LN, YA-L-NT, YA-L-2NT, YA-L-TC, YA-L-2TC, YA-2N, YA-TC, YA-2TC	CLN, CLND, CLNS, CLW, CLWD, CRA, CRB, CRA-L, CRB-L, CRA-2L, CRB-2L, CSW, CSWS	LCA, LCAS, LCB, LCC, LCD	BBLU, BLU	54104-54123-TB, 54204-54223, 54850BE-54880BE, 54930BE-54923BE			
Taille de câble (code unijonement)	Couleur de matrice	No de cat.	Empreinte de matrice	Cosses : Nombre total de sertissages						
				Épissures : Nombre de sertissages par côté						
				Anderson	Blackburn®	Burndy	ILSCO	Panduit	Penn-Union	T&B
#8 AWG	ROUGE	49-12-U008C	8							
#6 AWG +	BLEU	49-12-U006C	6							
#4 AWG	GRIS	49-12-U004C	4							
#2 AWG +	MARRON	49-12-U002C	2							
#1 AWG +	VERT	49-12-U001C	1							
1/0 AWG	ROSE	49-12-U01AC	1/0							
2/0 AWG	NOIR	49-12-U02AC	2/0	1						
3/0 AWG	ORANGE	49-12-U03AC	3/0							
4/0 AWG	VIOLET	49-12-U04AC	4/0							
250 MCM	JAUNE	49-12-U250C	250							
300 MCM	BLANC	49-12-U300C	300	2						
350 MCM	ROUGE	49-12-U350C	350	Cosses: 2 Épissures: N/A						
400 MCM	BLEU	49-12-U400C	400							
500 MCM	MARRON	49-12-U500C	500				2			
600 MCM	VERT	49-12-U600C	600	2						
750 MCM	NOIR	49-12-U750C	750							

+ Concentrique ou compressé uniquement

Cosses et épissures à double homologation

Modèles d'épissures numéros	Anderson	Blackburn®	Burndy	ILSCO	Panduit	Penn-Union	T&B
	VACS	ASP	YS-A	AS, ASN	SA	BCUA	60501-60578
Modèles de cosses numéros	VACL	ATL	YA-A, YA-ATN	ACL, ACN, ALND, ALNS, 2ACL, 2ACN, ALNN	LAA, LAB	BLUA	60101-60178, 60230-60278

Taille de câble (code unijonement)	Couleur de matrice	No de cat.	Empreinte de matrice	Cosses : Nombre total de sertissages						
				Épissures : Nombre de sertissages par côté						
				Anderson	Blackburn®	Burndy	ILSCO	Panduit	Penn-Union	T&B
#8 AWG	BLEU	49-12-U008	8							
#6 AWG	GRIS	49-12-U006	6	Cosses: N/A Épissures: 1	Cosses: 1 Épissures: N/A					
#4 AWG	VERT	49-12-U004	4			1	1		Cosses: 1 Épissures: N/A	1
#2 AWG	ROSE	49-12-U002	2	1	1				1	
#1 AWG	DORÉ	49-12-U001	1							
1/0 AWG	BRUN CLAIR	49-12-U01A	1/0							
2/0 AWG	OLIVE	49-12-U02A	2/0							
3/0 AWG	RUBIS	49-12-U03A	3/0							
4/0 AWG	BLANC	49-12-U04A	4/0	2						
250 MCM	ROUGE	49-12-U250	250							
300 MCM	BLEU	49-12-U300	300							
350 MCM	MARRON	49-12-U350	350							
400 MCM	VERT	49-12-U400	400							
500 MCM	ROSE	49-12-U500	500							
600 MCM	NOIR	49-12-U600	600	3	3	3	3	3	3	3
750 MCM	JAUNE	49-12-U750	750							

Nombre de frisures est un minimum. Des sertissages supplémentaires n'affecteraient pas négativement l'intégrité de la connexion du moment qu'elles sont placées uniformément entre la zone de sertissage prévue du connecteur, généralement délimitée par des bandes de couleur ou des molettes. Pour la liste d'approbation la plus récente, veuillez visiter [milwaukeeool.com](http://milwaukeeool.com). Pour une assistance technique, veuillez contacter le service à la clientèle de Milwaukee en composant le 1-800-729-3878.

Les connexions réalisées avec cet outil (2779-20) et la combinaison matrice-connecteur dont vous pouvez trouver les références dans les graphiques ci-dessous produisent des sertissages homologués UL selon la norme de UL 486A-B.



**Tableau B - Canada et Mexique**

**Cosses et épissures courtes et longues en cuivre**

	Anderson	Blackburn®	Burndy	ILSCO	Panduit	Penn-Union	T&B
<b>Modèles d'épissures numéros</b>	VHS, VHSS	CSP, CU	YS, YS-L, YS-T	CT, CTL	SCH, SCL, SCS, SCSS	BBCU, BCU	54504-54523-TB, 54804-54823
<b>Modèles de cosses numéros</b>	VHCL, VHCS	CTL, CTL-2, CTL-L, LCN	YA, YAZ, YA-L, YA-2L, YA-2LN, YA-L-NT, YA-L-2NT, YA-L-TC, YA-L-2TC, YA-2N, YA-TC, YA-2TC	CLN, CLND, CLNS, CLW, CLWD, CRA, CRB, CRA-L, CRB-L, CRA-2L, CRB-2L, CSW, CSWS	LCA, LCAS, LCB, LCC, LCD	BBLU, BLU	54104-54123-TB, 54204-54223, 54850BE-54880BE, 54930BE-54923BE

Taille de câble (code unification)	Couleur de matrice	No de cat.	Empreinte de matrice	Cosses : Nombre total de sertissages Épissures : Nombre de sertissages par côté							
				Anderson	Blackburn®	Burndy	ILSCO	Panduit	Penn-Union	T&B	
#8 AWG	ROUGE	49-12-U008C	8		1						1
#6 AWG	BLEU	49-12-U006C	6			1	1				
#4 AWG	GRIS	49-12-U004C	4							1	
#2 AWG	MARRON	49-12-U002C	2	1							
#1 AWG	VERT	49-12-U001C	1								
1/0 AWG	ROSE	49-12-U01AC	1/0								
2/0 AWG	NOIR	49-12-U02AC	2/0								
3/0 AWG	ORANGE	49-12-U03AC	3/0	1	1	1	1	1	1	1	1
4/0 AWG	VIOLET	49-12-U04AC	4/0								
250 MCM	JAUNE	49-12-U250C	250								
300 MCM	BLANC	49-12-U300C	300	2							
350 MCM	ROUGE	49-12-U350C	350	Cosses: 2 Épissures: N/A							
400 MCM	BLEU	49-12-U400C	400		2	2	2	2	2	2	2
500 MCM	MARRON	49-12-U500C	500								
600 MCM	VERT	49-12-U600C	600	2							
750 MCM	NOIR	49-12-U750C	750								

**Cosses et épissures à double homologation**

	Anderson	Blackburn®	Burndy	ILSCO	Panduit	Penn-Union	T&B
<b>Modèles d'épissures numéros</b>	VACS	ASP	YS-A	AS, ASN	SA	BCUA	60501-60578
<b>Modèles de cosses numéros</b>	VACL	ATL	YA-A, YA-ATN	ACL, ACN, ALND, ALNS, 2ACL, 2ACN, ALNN	LAA, LAB	BLUA	60101-60178, 60230-60278

Taille de câble (code unification)	Couleur de matrice	No de cat.	Empreinte de matrice	Cosses : Nombre total de sertissages Épissures : Nombre de sertissages par côté							
				Anderson	Blackburn®	Burndy	ILSCO	Panduit	Penn-Union	T&B	
#8 AWG	BLEU	49-12-U008	8								
#6 AWG	GRIS	49-12-U006	6	Cosses: N/A Épissures: 1	Cosses: 1 Épissures: N/A						
#4 AWG	VERT	49-12-U004	4			1	1				1
#2 AWG	ROSE	49-12-U002	2	1	1					1	
#1 AWG	DORÉ	49-12-U001	1								
1/0 AWG	BRUN CLAIR	49-12-U01A	1/0								
2/0 AWG	OLIVE	49-12-U02A	2/0								
3/0 AWG	RUBIS	49-12-U03A	3/0								
4/0 AWG	BLANC	49-12-U04A	4/0	2	2	2	2	2	2	2	2
250 MCM	ROUGE	49-12-U250	250								
300 MCM	BLEU	49-12-U300	300								
350 MCM	MARRON	49-12-U350	350								
400 MCM	VERT	49-12-U400	400								
500 MCM	ROSE	49-12-U500	500								
600 MCM	NOIR	49-12-U600	600	3	3	3	3	3	3	3	3
750 MCM	JAUNE	49-12-U750	750								

Nombre de frises est un minimum. Des sertissages supplémentaires n'affecteraient pas négativement l'intégrité de la connexion du moment qu'elles sont placées uniformément entre la zone de sertissage prévue du connecteur, généralement délimitée par des bandes de couleur ou des molettes. Pour la liste d'approbation la plus récente, veuillez visiter [milwaukeeool.com](http://milwaukeeool.com). Pour une assistance technique, veuillez contacter le service à la clientèle de Milwaukee en composant le 1-800-729-3878.

## SPECIFICATIONS

No de Cat.....	2779-20
Volts.....	18 DC
Type de batterie.....	M18™
Type de chargeur.....	M18™
Module/ID de FCC.....	BLE113/QOQBLE113
Force.....	106,8 kN (12T)
Capacité.....	#8 AWG - 750 MCM
Température ambiante de fonctionnement recommandée.....	-18°C à 50°C (0°F à 122°F)

## MONTAGE DE L'OUTIL

**AVERTISSEMENT** Ne recharger la batterie qu'avec le chargeur spécifié. Pour les instructions de charge spécifiques, lire le manuel d'utilisation fourni avec le chargeur et les batteries.

### Insertion/Retrait de la batterie

Pour **retirer** la batterie, enfoncer les boutons de déverrouillage et la tirer hors de l'outil.

**AVERTISSEMENT** Toujours retirer la batterie les fois que l'outil est inutilisé.

Pour **insérer** la batterie, la glisser dans le corps de l'outil. S'assurer qu'elle est fixée solidement.

**AVERTISSEMENT** L'emploi d'accessoires autres que ceux qui sont expressément recommandés pour cet outil peut comporter des risques.

Un sertissage incomplet ou défectueux pourrait causer un incendie. Avec cet outil, n'utiliser que des matrices en « U » avec des cosses de connexion de taille conjointe. Pour réaliser un sertissage approuvé, les mâchoires, matrices et connecteurs doivent être de combinaison de taille appropriée. Des combinaisons incompatibles peuvent résulter en un sertissage défectueux. Une occurrence de choc électrique, un incendie, une explosion et des dommages matériels pourraient se produire.

### Remplacement des matrices

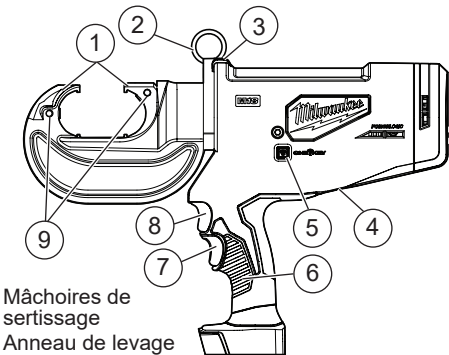
Inspectez les matrices et les connecteurs avant utilisation. N'utilisez que des matrices et des connecteurs correctement appariés pour les mâchoires de sertissage. Consultez les spécifications de compatibilité matrice/connecteur.

- AVERTISSEMENT!** Retirez la batterie pour éviter de démarrer l'outil.
- Enclencher les matrices appropriées de chaque côté de la mâchoire;
- Pour les retirer, appuyer sur le bouton de dégagement de chaque côté de la mâchoire. Tirer les matrices hors de la mâchoire.

### ONE-KEY™

Pour en apprendre plus long sur la fonctionnalité ONE-KEY™ de cet outil, visitez le [milwaukeeool.com/One-Key](http://milwaukeeool.com/One-Key). Pour télécharger l'application ONE-KEY™, visitez l'App Store® d'Apple ou Google Play™ à l'aide de votre appareil intelligent.

Indicateur ONE-KEY™	
Bleu uni	Le mode sans fil est engagé et prêt pour le configurer à l'aide de l'appli ONE-KEY™.
Bleu clignotant	L'outil établit une communication active avec l'appli ONE-KEY™.
Rouge clignotant	L'outil a un blocage sécuritaire et ne pourra être débloqué que par le propriétaire à l'aide de l'appli ONE-KEY™.



- Mâchoires de sertissage
- Anneau de levage
- DEL d'indication de sertissage
- Pile interne
- Indicateur ONE-KEY™
- Poignée
- Gâchette d'ouverture
- Gâchette
- Goupilles de dégagement de matrice

## PICTOGRAPHIE

Volts

Courant direct



**AVERTISSEMENT** Pour minimiser le risque d'arc électrique, de choc électrique et d'accidents matériels, travailler sur des lignes sans tension si possible. L'outil n'est pas isolé. S'il faut faire de travaux sur des lignes sous tension, veuillez s'assurer que toutes les précautions correspondantes, y compris celles dans NFPA 70E, ont été prises à l'avance.



**AVERTISSEMENT** Gardez vos mains loin des mâchoires de sertissage lorsque vous utilisez l'outil. Vos doigts risquent d'être écrasés.



Pour réduire le risque de blessure, porter des lunettes de sécurité ou des lunettes avec écrans latéraux pendant l'utilisation ou l'entretien de l'outil.



Lire le manuel d'utilisation.



Underwriters Laboratories, Inc.

## MANIEMENT

**⚠ AVERTISSEMENT** Pour minimiser le risque d'arc électrique, de choc électrique et d'accidents matériels, travailler sur de lignes sans tension si possible. L'outil n'est pas isolé. S'il faut faire de travaux sur de lignes sous tension, veuillez s'assurer que toutes les précautions correspondantes, y compris celles dans NFPA 70E, ont été prises à l'avance.



Gardez vos mains loin des mâchoires de sertissage lorsque vous utilisez l'outil. Vos doigts risquent d'être écrasés.



Toujours porter la protection oculaire appropriée certifiée conforme à la norme ANSI Z87.1.

### Sertissage

Avant le sertissage :

- Inspecter la mâchoire et les matrices pour détecter toute fissure ou dommage. Ne pas utiliser de matrices ou outil à mâchoire endommagée. Communiquer avec un centre de service MILWAUKEE.
- S'assurer que les matrices sont bien installées.
- La mâchoire, les matrices, les connecteurs et les câbles doivent être compatibles et DE COMBINAISON APPROUVÉE. Des combinaisons incompatibles peuvent résulter en un sertissage défectueux.
- Inspecter et mettre au rebut les pièces fendillées ou usées. L'utilisation de celles-ci pourrait résulter en une cassure ou un éclatement de la pièce.
- Suivez les spécifications d'installation spécifiées dans le tableau **A ou B** à l'aide d'une combinaison approuvée de mâchoires, de matrices, de connecteurs et de câbles, comme indiqué. D'autres types d'usages pourraient endommager l'outil, ses accessoires ou la pièce de travail.

1. Installer les matrices;
2. Insérer le bloc-piles d'alimentation;
3. Pivoter la matrice à l'angle désiré. Tenir l'outil fermement. Actionner et maintenir la gâchette;
4. Lorsque le cycle est complété, l'outil se désalignera et le témoin de confirmation s'allumera. Relâcher la gâchette. Appuyer et maintenir la gâchette d'ouverture de la mâchoire.

**REMARQUE** : Après un certain point du cycle de sertissage, la gâchette peut être relâchée et le cycle se complètera automatiquement.

Voyant Indicateur	Définition
Vert fixe	L'outil a terminé l'opération et a atteint la pression de sertissage complet.
Rouge fixe	L'outil a terminé l'opération, mais N'A PAS atteint la pression de sertissage complet.
Rouge clignotant	L'outil N'A PAS terminé l'opération.
Clignotant Rouge/vert (après Vert et Rouge fixe)	L'outil a atteint son intervalle de service (20 000 sertissages). Le clignotement en rouge/vert commencera après que l'indicateur de fonctionnement s'affiche. Renvoyez l'outil à un centre de réparations MILWAUKEE.

5. Continuer à sertir selon les instructions du tableau **A ou B**, ou les instructions d'installation du fabricant du connecteur.
  - Les pointes doivent être placées uniformément sur le canon du connecteur.
  - Les frisures doivent être raisonnablement placées dans les bandes de couleur ou la zone moletée du connecteur.
  - Pour les **épissures**, commencez à sertir au centre, en travaillant vers l'extérieur tout en alternant les côtés.
  - Pour les **cosSES**, commencez à sertir près du tampon, en travaillant vers le canon.
  - L'orientation du sertissage n'est pas critique sur les connecteurs à fût sans soudure, mais pour de meilleurs résultats, faites pivoter l'outil de 180° entre les pointes.
6. Lors de l'actionnement de la gâchette, un témoin DEL s'allumera.
7. Lors du sertissage, la matrice incruste sa marque d'identification sur le connecteur.

## ENTRETIEN

**AVERTISSEMENT** Pour minimiser les risques de blessures corporelles, débranchez le chargeur et retirez la batterie du chargeur ou de l'outil avant d'y effectuer des travaux d'entretien. Ne jamais démonter le bloc-piles, le chargeur ou la outil, sauf si ces instructions indiquent faire une telle chose. Pour toute autre réparation, contacter un centre de service de MILWAUKEE.

### Entretien de l'outil

Gardez l'outil en bon état en adoptant un programme d'entretien ponctuel. Inspectez votre outil pour des questions telles que le bruit excessif, de grippage des pièces mobiles, de pièces cassées ou toute autre condition qui peut affecter le fonctionnement de l'outil. Retournez votre outil à un centre de service MILWAUKEE accrédité pour obtenir le service. Après une période pouvant aller de 6 mois à un an, selon l'usage, retournez votre outil à un centre de service MILWAUKEE accrédité pour d'inspection.

Si l'outil ne démarre pas ou ne fonctionne pas à pleine puissance alors qu'il est branché sur une batterie complètement chargée, nettoyez les points de contact entre la batterie et l'outil. Si l'outil ne fonctionne toujours pas correctement, renvoyez l'outil, le chargeur et la batterie à un centre de service MILWAUKEE accrédité.

### ONE-KEY™

Consultez l'application ONE-KEY pour plus d'information concernant les réparations nécessaires, comme la vie du bloc-piles interne et le nombre de sertissages.

**AVERTISSEMENT** Risque de brûlure chimique.

Ce dispositif contient une pile bouton au lithium. Une pile neuve ou usée peut causer des brûlures internes graves entraînant la mort en seulement 2 heures si avalée ou entrée dans le corps. Toujours fixer le couvercle du compartiment des piles. Si le couvercle ne se ferme pas bien, arrêtez d'utiliser le dispositif, retirez les piles et les garder hors de la portée des enfants. Si vous soupçonnez que les piles ont été avalées ou entrées dans le corps, consultez immédiatement un médecin.



### Pile bouton interne

Une pile bouton interne est utilisée pour faciliter la fonctionnalité ONE-KEY™ complète.

Pour remplacer la pile bouton :

1. **AVERTISSEMENT!** Retirez la batterie pour éviter de démarrer l'outil.
2. Retirer les vis et ouvrir la porte du compartiment de la pile bouton.
3. Retirer la vieille pile bouton, la tenir hors de la portée des enfants et se débarrasser d'elle comme il faut.
4. Mettre la nouvelle pile bouton (3V CR2032), en mettant le pôle positif vers le haut.
5. Fermer la porte du compartiment de la pile et serrer la vis fermement.

**AVERTISSEMENT** Pour minimiser les risques de blessures ou de dommages à l'outil, n'immergez jamais l'outil, la batterie ou le chargeur et ne laissez pas de liquide s'y infiltrer.

### Nettoyage

Débarrassez les tous événements des débris et de la poussière. Gardez les outil propres, à sec et exempts d'huile ou de graisse. Le nettoyage doit se faire avec un linge humide et un savon doux. Certains nettoyeurs tels l'essence, la térébenthine, les diluants à laque ou à peinture, les solvants chlorés, l'ammoniaque et les détergents d'usage domestique qui en contiennent pourraient détériorer le plastique et l'isolation des pièces. Ne laissez jamais de solvants inflammables ou combustibles auprès des outils.

### Réparations

Pour les réparations, retournez outil, batterie et chargeur en entier au centre-service autorisé le plus près.

## ACCESSOIRES

**AVERTISSEMENT** L'utilisation d'autres accessoires que ceux qui sont spécifiquement recommandés pour cet outil peut comporter des risques.

Pour une liste complète des accessoires, visiter le site internet [www.milwaukeetool.com](http://www.milwaukeetool.com) ou contactez un distributeur.

## COMMUNICATION SANS FIL

Pour les produits comportant des fonctions de communication sans fil, ONE-KEY™ y compris : Conformément à la part 15.21 du Règlement de la FCC, ne pas modifier ce produit-ci. Une telle modification pourra annuler votre autorisation à utiliser le produit. Cet appareil est conforme à la part 15 du Règlement de la FCC et les normes RSS d'exemption de licence de l'ISED-Canada. Son fonctionnement est soumis aux conditions suivantes : 1) Cet appareil ne doit produire aucun brouillage préjudiciable ; et 2) cet appareil doit fonctionner en dépit de tout brouillage capté, y compris le brouillage pouvant mener à un fonctionnement non désiré.

## SERVICE - CANADA

Milwaukee Tool (Canada) Ltd

1.877.948.2360

Monday-Friday, 7:00 AM - 4:30 PM CST

[www.milwaukeetool.ca](http://www.milwaukeetool.ca)

## GARANTIE LIMITÉE - AUX ÉTATS-UNIS ET AU CANADA

Cet outil électrique MILWAUKEE\* est garanti à l'acheteur d'origine uniquement par un distributeur agréé de MILWAUKEE d'être exempt de vice du matériau et de fabrication. Sous réserve de certaines exceptions, MILWAUKEE réparera ou remplacera toute pièce de cet outil électrique qui, après examen par MILWAUKEE, est affectée d'un vice de matériau ou de fabrication pendant une période de cinq (5) ans après la date d'achat, sauf indication contraire. Il faudra retourner l'outil électrique à un centre de service en usine MILWAUKEE ou à un poste d'entretien agréé MILWAUKEE, en port prépayé et assuré. Une copie de la preuve d'achat doit être présentée lors du retour du produit. Cette garantie ne couvre pas les dommages que MILWAUKEE détermine d'être causés par des réparations ou des tentatives de réparation par quiconque d'autre que le personnel agréé par MILWAUKEE, des utilisations incorrectes, des altérations, des utilisations abusives, une usure normale, une carence d'entretien ou les accidents. Usure normale : Par rapport à plusieurs outils électriques, il faut remplacer et entretenir leurs pièces afin de jouir de leur rendement optimal. Cette garantie ne couvre pas les cas de réparation lorsque la vie utile normale de la pièce s'est terminée, incluant, sans s'y limiter, les mandrins, les balais, les câbles, les patins de scie, les brides de lame, les joints toriques, les embouts, les butoirs, les lames d'entraînement, les pistons, les perceurs, les poussoirs et les rondelles de protection de boutoir.

\*Cette garantie ne couvre ni les blocs-piles ni tous les outils électriques. Veuillez vous reporter aux autres garanties différentes disponibles pour ces produits.

La période durant laquelle la garantie est valable pour la lumière à DEL de la lampe de travail à DEL (49-24-0171) et l'ampoule transformée à DEL (49-81-0090) est d'une durée égale à la vie utile du produit en raison des limites au-dessus. Si la lumière à DEL ou l'ampoule transformée à DEL tombent en panne durant l'utilisation normale, la pièce sera remplacée gratuitement.

L'inscription de la garantie n'est pas nécessaire pour bénéficier de la garantie en vigueur d'un outil électrique MILWAUKEE. La date de fabrication du produit servira à établir la période de garantie si aucune preuve d'achat n'est fournie lorsqu'une demande de service sous garantie est faite.

L'ACCEPTATION DES RECOURS EXCLUSIFS DE RÉPARATION ET DE REMPLACEMENT DÉCRITS PAR LA PRÉSENTE EST UNE CONDITION DU CONTRAT D'ACHAT DE TOUT PRODUIT MILWAUKEE. SI VOUS N'ACCEPTÉZ PAS CETTE CONDITION, VOUS NE DEVEZ PAS ACHETER LE PRODUIT. EN AUCUN CAS MILWAUKEE NE SAURAIT ÊTRE RESPONSABLE DE TOUT DOMMAGE ACCESSOIRE, SPÉCIAL OU INDIRECT, DE DOMMAGES-INTÉRÊTS PUNITIFS OU DE TOUTE DÉPENSE, D'HONORAIRES D'AVOCATS, DE FRAIS, DE PERTE OU DE DÉLAIS ACCESSOIRES À TOUT DOMMAGE, DÉFAILLANCE OU DÉFAUT DE TOUT PRODUIT, Y COMPRIS NOTAMMENT LES PERTES DE PROFIT, CERTAINS ÉTATS ET PROVINCES NE PERMETTANT L'EXCLUSION OU LA LIMITATION DES DOMMAGES DIRECTS OU INDIRECTS, LES RESTRICTIONS CI-DESSOUS PEUVENT NE PAS ÊTRE APPLICABLES. CETTE GARANTIE EST EXCLUSIVE ET REMPLACE TOUTE AUTRE GARANTIE EXPRESSE, QU'ELLE SOIT VERBALE OU ÉCRITE, DANS LA MESURE PERMISE PAR LA LOI. MILWAUKEE RENONCE À TOUTE GARANTIE IMPLICITE, Y COMPRIS, SANS S'Y LIMITER, TOUTE GARANTIE IMPLICITE DE COMMERCIALISABILITÉ OU D'ADAPTATION À UNE UTILISATION OU À UNE FIN PARTICULIÈRE. DANS LA MESURE OU UNE TELLE STIPULATION D'EXONÉRATION N'EST PAS PERMISE PAR LA LOI, LA DURÉE DE CES GARANTIES IMPLICITES EST LIMITÉE À LA PÉRIODE APPLICABLE DE LA GARANTIE EXPRESSE, TELLE QUE CELA EST DÉCRIT PRÉCÉDEMMENT. CERTAINES PROVINCES NE PERMETTANT PAS DE LIMITATION DE DURÉE DES GARANTIES IMPLICITES, LES RESTRICTIONS CI-DESSOUS PEUVENT NE PAS ÊTRE APPLICABLES. LA PRÉSENTE CONFÈRE À L'UTILISATEUR DES DROITS LÉGAUX PARTICULIERS; IL BÉNÉFICIE ÉGALEMENT D'AUTRES DROITS QUI VARIENT D'UNE PROVINCE À L'AUTRE. Cette garantie s'applique uniquement aux produits vendus aux États-Unis et au Canada.

Veuillez consulter l'onglet « Trouver un centre Service », dans la section « Pièces et service » du site web de MILWAUKEE, à l'adresse [www.milwaukeeool.com](http://www.milwaukeeool.com), ou composer le 1.800.SAWDUST (1.800.729.3878) afin de trouver le centre de service le plus proche dans votre région pour l'entretien, sous garantie ou non, de votre outil électrique MILWAUKEE.

## ADVERTENCIAS DE SEGURIDAD GENERALES PARA LA HERRAMIENTA ELÉCTRICA

**⚠️ ADVERTENCIA** Lea todas las advertencias de seguridad, instrucciones, ilustraciones y especificaciones con esta herramienta eléctrica. Si no sigue todas las advertencias e instrucciones, se pueden provocar una descarga eléctrica, un incendio o lesiones graves. **Guarde todas las advertencias e instrucciones para consultarlas en el futuro.** El término "herramienta eléctrica" en todas las advertencias incluidas más abajo se refiere a su herramienta operada por conexión (cable) a la red eléctrica o por medio de una batería (inalámbrica).

## SEGURIDAD EN EL ÁREA DE TRABAJO

- **Mantenga el área de trabajo limpia y bien iluminada.** Las áreas desordenadas u oscuras son propicias para los accidentes.
- **No utilice herramientas eléctricas en atmósferas explosivas, tales como en presencia de líquidos, gases o polvos inflamables.** Las herramientas eléctricas generan chispas que pueden encender el polvo o los vapores.
- **Mantenga a los niños y a los espectadores alejados mientras utiliza una herramienta eléctrica.** Las distracciones pueden ocasionar la pérdida de control.

## SEGURIDAD ELÉCTRICA

- **Los enchufes de la herramienta eléctrica deben coincidir con el tomacorriente. Nunca modifique el enchufe de ninguna manera. No utilice adaptadores de enchufe con herramientas eléctricas aterrizadas.** Los enchufes y tomacorrientes correspondientes sin modificar reducirán el riesgo de descarga eléctrica.
- **Evite el contacto corporal con superficies aterrizadas, tales como tuberías, radiadores, estufas y refrigeradores.** Existe un riesgo mayor de descarga eléctrica si su cuerpo está aterrizado.
- **No exponga las herramientas eléctricas a la lluvia ni a condiciones húmedas.** Si se introduce agua en una herramienta eléctrica, aumentará el riesgo de descarga eléctrica.
- **No maltrate el cable. Nunca utilice el cable para cargar, jalar o desconectar la herramienta eléctrica. Mantenga el cable alejado del calor, el aceite, los bordes afilados o las partes en movimiento.** Los cables dañados o enredados aumentan el riesgo de descarga eléctrica.
- **Al utilizar una herramienta eléctrica en exteriores, utilice una extensión adecuada para uso en exteriores.** El uso de una extensión adecuada para el uso en exteriores disminuye el riesgo de descarga eléctrica.
- **Si es inevitable utilizar una herramienta eléctrica en un lugar húmedo, utilice un alimentador de corriente protegido con un interruptor de circuito por falla de conexión a tierra (GFCI).** El uso de un GFCI reduce el riesgo de descarga eléctrica.



## SEGURIDAD PERSONAL

- **Manténgase alerta, atento a lo que está haciendo y utilice el sentido común al utilizar una herramienta eléctrica. No utilice una herramienta eléctrica mientras está cansado o bajo la influencia de drogas, alcohol o medicamentos.** Un momento de distracción al utilizar herramientas eléctricas puede ocasionar lesiones personales graves.
- **Utilice equipo de protección personal. Siempre use protección para los ojos.** El equipo de protección, tal como una máscara contra polvo, calzado antideslizante, casco o protección auditiva, utilizado para condiciones adecuadas disminuirá las lesiones personales.
- **Evite el arranque accidental. Asegúrese de que el interruptor esté en la posición de apagado antes de conectarlo a una fuente de poder y/o batería, levantar o trasladar la herramienta.** Trasladar herramientas con el dedo en el interruptor o energizar herramientas eléctricas que tienen el interruptor encendido propicia accidentes.
- **Retire cualquier llave de ajuste antes de entender la herramienta.** Una llave que se deje insertada en una parte giratoria de la herramienta eléctrica puede ocasionar lesiones personales.
- **No estire el cuerpo demasiado. Mantenga un buen contacto entre los pies y el suelo y mantenga el equilibrio en todo momento.** Esto permite un mejor control de la herramienta eléctrica en situaciones inesperadas.
- **Vístase adecuadamente. No utilice ropa o joyería holgada. Mantenga el cabello y la ropa alejados de las partes móviles.** La ropa holgada, las alhajas o el cabello largo pueden quedarse atrapados en las partes móviles.
- **Si se proporcionan dispositivos para la conexión de instalaciones de extracción y recolección de polvo, cerciórese de que estén conectados y se utilicen correctamente.** El uso de dispositivos recolectores de polvo puede disminuir los riesgos relacionados con el polvo.
- **No permita que la familiaridad por el uso frecuente de las herramientas lo hagan sentirse seguro e ignore los principios de seguridad de las herramientas.** Un descuido puede provocar lesiones graves en una fracción de segundo.

## USO Y CUIDADO DE LAS HERRAMIENTAS ELÉCTRICAS

- **No fuerce la herramienta eléctrica. Utilice la herramienta eléctrica correcta para su aplicación.** La herramienta eléctrica correcta realizará el trabajo mejor y con mayor seguridad a la velocidad para la que fue diseñada.
- **No utilice la herramienta eléctrica si el interruptor no la enciende y la apaga.** Cualquier herramienta eléctrica que no pueda controlarse con el interruptor es peligrosa y debe repararse.
- **Desconecte el enchufe de la fuente de energía y/o quite la batería de la herramienta eléctrica, si es posible, antes de realizar cualquier ajuste, cambiar accesorios o almacenar las herramientas eléctricas.** Tales medidas preventivas de seguridad disminuyen el riesgo de que la herramienta eléctrica se encienda accidentalmente.

- **Almacene las herramientas eléctricas que no se estén utilizando fuera del alcance de los niños y no permita que personas que no estén familiarizadas con la herramienta eléctrica o con estas instrucciones la utilicen.** Las herramientas eléctricas son peligrosas en manos de usuarios sin capacitación.
- **Dé mantenimiento a las herramientas eléctricas y accesorios. Verifique que no haya desalinación, amarre de partes móviles, partes rotas o alguna otra condición que pueda afectar el funcionamiento de la herramienta eléctrica. Si se daña, asegúrese de que la herramienta eléctrica sea reparada antes de que se utilice.** Muchos accidentes son ocasionados por herramientas eléctricas con mantenimiento deficiente.
- **Mantenga las herramientas de corte afiladas y limpias.** Las herramientas de corte correctamente mantenidas con bordes de corte afilados son menos propensas a atorarse y son más fáciles de controlar.
- **Utilice la herramienta eléctrica, los accesorios y las puntas, etc. de acuerdo con estas instrucciones, tomando en cuenta las condiciones de trabajo y el trabajo a realizar.** El uso de la herramienta eléctrica para operaciones diferentes a las previstas podría generar una situación peligrosa.
- **Mantenga las empuñaduras y ñas superficies de sujeción secas, limpias y libres de aceite y grasa.** Las empuñaduras y superficies de sujeción resbalosas no permiten el manejo y control seguros de la herramienta en situaciones inesperadas.

## USO Y CUIDADO DE LAS HERRAMIENTAS CON BATERÍA

- **Recargue únicamente con el cargador especificado por el fabricante.** Un cargador que es adecuado para un tipo de batería puede crear un riesgo de incendio si se utiliza con otra batería.
- **Utilice las herramientas eléctricas únicamente con baterías específicamente diseñadas.** El uso de cualquier otra batería puede producir un riesgo de lesiones e incendio.
- **Cuando la batería no esté en uso, manténgala alejada de otros objetos metálicos como sujetapapeles, monedas, llaves, clavos, tornillos u otros objetos metálicos pequeños que puedan formar una conexión de una terminal a otra.** Crear un corto entre las terminales de la batería puede ocasionar quemaduras o un incendio.
- **Bajo condiciones de maltrato, el líquido puede ser expulsado de la batería, evite el contacto. En caso de contacto accidental, lave con agua. Si el líquido entra en contacto con los ojos, busque además ayuda médica.** El líquido expulsado de la batería puede causar irritación o quemaduras.
- **No use una batería o herramienta que se haya dañado o modificado.** Las baterías dañadas o modificadas pueden mostrar un comportamiento impredecible, causando incendios, explosión o riesgo de lesión.
- **No exponga una batería o herramienta al fuego o a temperatura excesiva.** La exposición a fuego o temperatura a más de 130°C (265°F) puede causar explosiones.
- **Siga todas las instrucciones de carga y no cargue la batería o la herramienta fuera del rango de temperatura especificado en las instrucciones.** La carga incorrecta o a temperaturas fuera del rango especificado puede dañar la batería y aumentar el riesgo de incendio.

## MANTENIMIENTO

- Lleve su herramienta eléctrica a servicio con un técnico calificado que use únicamente piezas de reemplazo idénticas. Esto asegurará que la seguridad de la herramienta eléctrica se mantenga.
- Nunca dé servicio a baterías dañadas. Únicamente el fabricante o proveedores de servicio autorizados deben dar servicio a las baterías.

## REGLAS ESPECÍFICAS DE SEGURIDAD CRIMPADORA

- Use la herramienta únicamente como se indica. Solo el personal capacitado debe operar la herramienta.

**⚠ ADVERTENCIA** Para reducir el riesgo de flash de arco, descarga eléctrica y daños a la propiedad, trabaje en líneas desenergizadas cuando sea posible. La herramienta no está aislada.



Si se requiere trabajar en líneas energizadas, asegúrese de que se han tomado primero todas las precauciones apropiadas, incluidas las contenidas en la norma NFPA 70E.

• Use únicamente la herramienta con matrices en forma de "U" y conectores para los cuales está diseñada. Las mordazas, matrices y conectores deben usarse en una COMBINACIÓN APROBADA para lograr una operación exitosa. Las combinaciones inadecuadas pueden producir un crimpado con fallas. Puede presentarse una descarga eléctrica, incendio, explosión y daño a la propiedad.

• Mantenga las manos alejadas de las mordazas crimpadoras mientras la herramienta esté en uso. Los dedos podrían aplastarse.

• Para reducir el riesgo de lesiones, utilice gafas o lentes de seguridad con protectores laterales al operar o dar servicio a la herramienta.

• Inspeccione y descarte las piezas de trabajo con fisuras o desgaste antes de usarlas. Los materiales pueden fisurarse o quebrarse.

• Siga las instrucciones de instalación del fabricante del conector. Otros usos pueden causar daños a la herramienta, los accesorios y la pieza de trabajo.

• Para obtener los mejores resultados, utilice únicamente con accolladores que absorban la energía. Las cuerdas, correas o cadenas pueden romperse y provocar una falla. No utilice con accolladores con toda la tensión.

• Riesgo de quemadura química. Mantenga la batería de la celda de monedas lejos de los niños.

• Válgase siempre de su sentido común y sea cuidadoso cuando utilice herramientas. No es posible anticipar todas las situaciones que podrían tener un desenlace peligroso. No utilice esta herramienta si no entiende estas instrucciones de uso o si considera que el trabajo a realizar supera sus capacidades, comuníquese con Milwaukee Tool o con un profesional capacitado para recibir capacitación o información adicional.

• Conserve las etiquetas y las placas nominales. Contienen información importante. Si son ilegibles o no están presentes, comuníquese con un centro de servicio MILWAUKEE para obtener un reemplazo gratuito.

**⚠ ADVERTENCIA** Algunos polvos generados por el lijado eléctrico, aserrado, pulido, taladrado y otras actividades de construcción contienen químicos identificados como causantes de cáncer, defectos congénitos u otros daños reproductivos. Algunos ejemplos de estos químicos son:

- plomo de pintura basada en plomo
- dióxido de silicio de los ladrillos y el cemento y otros productos de albañilería y
- arsénico y cromo de madera con tratamiento químico.

Su riesgo por estas exposiciones varía, dependiendo de la frecuencia con que realice este tipo de trabajo. Para reducir su exposición a estos químicos: trabaje en un área bien ventilada y trabaje con equipo de seguridad aprobado, como mascarillas protectoras contra polvo especialmente diseñadas para filtrar partículas microscópicas.

## ESPECIFICACIONES

Cat. No.....	2779-20
Volts.....	18 CD
Tipo de batería .....	M18™
Tipo de cargador .....	M18™
Módulo/ID de FCC.....	BLE113/QOQBLE113
Fuerza .....	106,8 kN (12T)
Capacidad .....	#8 AWG - 750 MCM
Temperatura ambiente recomendada para operar.....	-18°C a 50°C (0°F a 122°F)

Las conexiones hechas con esta herramienta (2779-20) y combinación de troquel y números de parte de conectores en los cuadros de abajo producen crimpados clasificados por UL según las normas de UL 486A-B.



**Tabla A - Estados Unidos**

**Orejetas y empalmes de cobre tipo barril cortos y largos**

Nos. de modelo de empalme	Anderson VHS, VHSS	Blackburn® CSP, CU	Burndy YS, YS-L, YS-T	ILSCO CT, CTL	Panduit SCH, SCL, SCS, SCSS	Penn-Union BBCU, BCU	T&B 54504-54523-TB, 54804-54823			
Nos. de modelo de orejetas	VHCL, VHCS	CTL, CTL-2, CTL-L, LCN	YA, YAZ, YA-L, YA-2L, YA-2LN, YA-L-NT, YA-L-2NT, YA-L-TC, YA-L-2TC, YA-2N, YA-TC, YA-2TC	CLN, CLND, CLNS, CLW, CLWD, CRA, CRB, CRA-L, CRB-L, CRA-2L, CRB-2L, CSW, CSWS	LCA, LCAS, LCB, LCC, LCD	BBLU, BLU	54104-54123-TB, 54204-54223, 54850BE-54880BE, 54930BE-54923BE			
Tamaño de Cable (sólo código)	Color del troquel	Cat. No.	Marca de muesca del troquel	Orejetas: No. total de crimpados Empalmes: No. de crimpados por lado						
				Anderson	Blackburn®	Burndy	ILSCO	Panduit	Penn-Union	T&B
#8 AWG	ROJO	49-12-U008C	8	1	1	1	1	1	1	1
#6 AWG +	AZUL	49-12-U006C	6							
#4 AWG	GRIS	49-12-U004C	4							
#2 AWG +	CAFÉ	49-12-U002C	2							
#1 AWG +	VERDE	49-12-U001C	1							
1/0 AWG	ROSA	49-12-U01AC	1/0							
2/0 AWG	NEGRO	49-12-U02AC	2/0							
3/0 AWG	ANARANJADO	49-12-U03AC	3/0							
4/0 AWG	MORADO	49-12-U04AC	4/0							
250 MCM	AMARILLO	49-12-U250C	250							
300 MCM	BLANCO	49-12-U300C	300	2	2	2	2	2	2	2
350 MCM	ROJO	49-12-U350C	350	Lugs: 2 Splices: N/A						
400 MCM	AZUL	49-12-U400C	400							
500 MCM	CAFÉ	49-12-U500C	500							
600 MCM	VERDE	49-12-U600C	600							
750 MCM	NEGRO	49-12-U750C	750							

+ Concéntrico o comprimido solamente

**Orejetas y empalmes de clasificación dual**

Nos. de modelo de empalme	Anderson VACS	Blackburn® ASP	Burndy YS-A	ILSCO AS, ASN	Panduit SA	Penn-Union BCUA	T&B 60501-60578			
Nos. de modelo de orejetas	VACL	ATL	YA-A, YA-ATN	ACL, ACN, ALND, ALNS, 2ACL, 2ACN, ALNN	LAA, LAB	BLUA	60101-60178, 60230-60278			
Tamaño de cable (sólo código)	Color del troquel	Cat. No.	Marca de muesca del troquel	Orejetas: No. total de crimpados Empalmes: No. de crimpados por lado						
				Anderson	Blackburn®	Burndy	ILSCO	Panduit	Penn-Union	T&B
#8 AWG	AZUL	49-12-U008	8	2	2	2	2	2	2	2
#6 AWG	GRIS	49-12-U006	6							
#4 AWG	VERDE	49-12-U004	4							
#2 AWG	ROSA	49-12-U002	2							
#1 AWG	DORADO	49-12-U001	1							
1/0 AWG	CAFÉ CLARO	49-12-U01A	1/0							
2/0 AWG	VERDE OLIVA	49-12-U02A	2/0							
3/0 AWG	ROJO RUBÍ	49-12-U03A	3/0							
4/0 AWG	BLANCO	49-12-U04A	4/0							
250 MCM	ROJO	49-12-U250	250							
300 MCM	AZUL	49-12-U300	300	3	3	3	3	3	3	
350 MCM	CAFÉ	49-12-U350	350							
400 MCM	VERDE	49-12-U400	400							
500 MCM	ROSA	49-12-U500	500							
600 MCM	NEGRO	49-12-U600	600							
750 MCM	AMARILLO	49-12-U750	750							

El número de rizos es mínimo. Las ondulaciones adicionales no afectarían negativamente a la integridad de la conexión, siempre que se coloquen de manera uniforme entre el área de engarzado prevista del conector, típicamente delineada con bandas de color o estrías. Para conocer el último listado de aprobación, visite milwaukeetool.com. Para asistencia técnica o de servicio, contacte a Servicio al Cliente de Milwaukee al 1-800-729-3878.

Las conexiones hechas con esta herramienta (2779-20) y combinación de troquel y números de parte de conectores en los cuadros de abajo producen crimpados clasificados por UL según las normas de UL 486A-B.



**Tabla B - Canadá y México**

**Orejetas y empalmes de cobre tipo barril cortos y largos**

Nos. de modelo de empalme	Anderson	Blackburn®	Burndy	ILSCO	Panduit	Penn-Union	T&B			
	VHS, VHSS	CSP, CU	YS, YS-L, YS-T	CT, CTL	SCH, SCL, SCS, SCSS	BBCU, BCU	54504-54523-TB, 54804-54823			
Nos. de modelo de orejetas	VHCL, VHCS	CTL, CTL-2, CTL-L, LCN	YA, YAZ, YA-L, YA-2L, YA-L-NT, YA-L-2NT, YA-L-TC, YA-L-2TC, YA-2N, YA-TC, YA-2TC	CLN, CLND, CLNS, CLW, CLWD, CRA, CRB, CRA-L, CRB-L, CRA-2L, CRB-2L, CSW, CSWS	LCA, LCAS, LCB, LCC, LCD	BBLU, BLU	54104-54123-TB, 54204-54223, 54850BE-54880BE, 54930BE-54923BE			
Tamaño de Cable (sólo código)	Color del troquel	Cat. No.	Marca de muesca del troquel	Orejetas: No. total de crimpados Empalmes: No. de crimpados por lado						
				Anderson	Blackburn®	Burndy	ILSCO	Panduit	Penn-Union	T&B
#8 AWG	ROJO	49-12-U008C	8		1					1
#6 AWG	AZUL	49-12-U006C	6							
#4 AWG	GRIS	49-12-U004C	4						1	
#2 AWG	CAFÉ	49-12-U002C	2	1						
#1 AWG	VERDE	49-12-U001C	1							
1/0 AWG	ROSA	49-12-U01AC	1/0							
2/0 AWG	NEGRO	49-12-U02AC	2/0							
3/0 AWG	ANARANJADO	49-12-U03AC	3/0							
4/0 AWG	MORADO	49-12-U04AC	4/0	1	1	1	1	1	1	1
250 MCM	AMARILLO	49-12-U250C	250							
300 MCM	BLANCO	49-12-U300C	300	2						
350 MCM	ROJO	49-12-U350C	350	Lugs: 2 Splices: N/A						
400 MCM	AZUL	49-12-U400C	400		2	2	2	2	2	2
500 MCM	CAFÉ	49-12-U500C	500							
600 MCM	VERDE	49-12-U600C	600	2						
750 MCM	NEGRO	49-12-U750C	750							

**Orejetas y empalmes de clasificación dual**

Nos. de modelo de empalme	Anderson	Blackburn®	Burndy	ILSCO	Panduit	Penn-Union	T&B			
	VACS	ASP	YS-A	AS, ASN	SA	BCUA	60501-60578			
Nos. de modelo de orejetas	VACL	ATL	YA-A, YA-ATN	ACL, ACN, ALND, ALNS, 2ACL, 2ACN, ALNN	LAA, LAB	BLUA	60101-60178, 60230-60278			
Tamaño de cable (sólo código)	Color del troquel	Cat. No.	Marca de muesca del troquel	Orejetas: No. total de crimpados Empalmes: No. de crimpados por lado						
				Anderson	Blackburn®	Burndy	ILSCO	Panduit	Penn-Union	T&B
#8 AWG	AZUL	49-12-U008	8							
#6 AWG	GRIS	49-12-U006	6	Lugs: N/A Splices: 1	Lugs: 1 Splices: N/A					
#4 AWG	VERDE	49-12-U004	4							
#2 AWG	ROSA	49-12-U002	2	1	1				1	
#1 AWG	DORADO	49-12-U001	1							
1/0 AWG	CAFÉ CLARO	49-12-U01A	1/0							
2/0 AWG	VERDE OLIVA	49-12-U02A	2/0							
3/0 AWG	ROJO RUBÍ	49-12-U03A	3/0							
4/0 AWG	BLANCO	49-12-U04A	4/0	2	2	2	2	2	2	2
250 MCM	ROJO	49-12-U250	250							
300 MCM	AZUL	49-12-U300	300							
350 MCM	CAFÉ	49-12-U350	350							
400 MCM	VERDE	49-12-U400	400							
500 MCM	ROSA	49-12-U500	500							
600 MCM	NEGRO	49-12-U600	600	3	3	3	3	3	3	3
750 MCM	AMARILLO	49-12-U750	750							

El número de rizos es mínimo. Las ondulaciones adicionales no afectarían negativamente a la integridad de la conexión, siempre que se coloquen de manera uniforme entre el área de engarzado prevista del conector, típicamente delineada con bandas de color o estrías. Para conocer el último listado de aprobación, visite milwaukeetool.com. Para asistencia técnica o de servicio, contacte a Servicio al Cliente de Milwaukee al 1-800-729-3878.

## SIMBOLOGÍA

V Volts

--- Corriente directa



**⚠️ ADVERTENCIA** Para reducir las posibilidades de que se presenten riesgos de arco eléctrico, choque eléctrico o daños a la propiedad, trabaje en líneas desenergizadas cuando resulte posible. La herramienta no cuenta con aislamiento. En caso de que sea necesario trabajar en líneas energizadas, asegúrese de que se hayan tomado todas las debidas precauciones, incluidas aquellas que figuran en NFPA 70E, con anticipación.



**⚠️ ADVERTENCIA** Mantenga las manos alejadas de las mordazas crimpadoras mientras se esté usando la herramienta. Los dedos podrían aplastarse.



Para reducir el riesgo de lesiones, utilice gafas o lentes de seguridad con protectores laterales al operar o dar servicio a la herramienta.

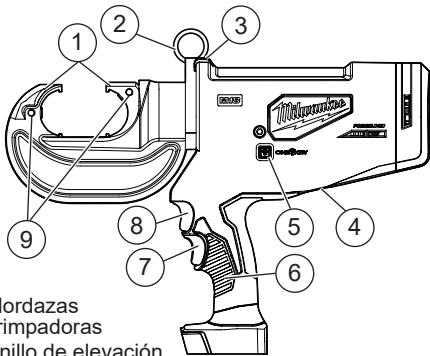


Lea el manual del operador.



Underwriters Laboratories, Inc.

## DESCRIPCIÓN FUNCIONAL



- |                              |  |
|------------------------------|--|
| 1. Mordazas crimpadoras      | 6. Empuñadura                          |
| 2. Anillo de elevación       | 7. Gatillo de reversa                  |
| 3. LED indicador de crimpado | 8. Gatillo                             |
| 4. Batería interna           | 9. Pasadores de liberación de matrices |
| 5. Indicador de ONE-KEY™     |  |

## ENSAMBLAJE

**⚠️ ADVERTENCIA** Recargue la batería sólo con el cargador especificado para ella. Para instrucciones específicas sobre cómo cargar, lea el manual del operador suministrado con su cargador y la batería.

### Como se inserta/quita la batería en la herramienta

Para retirar la batería, presione los botones de liberación y jale de la batería para sacarla de la herramienta.

**⚠️ ADVERTENCIA** Siempre retire la batería cada vez que la herramienta no esté en uso.

Para introducir la batería, deslícela en el cuerpo de la herramienta. Asegúrese de que quede bien firme en su posición.

**⚠️ ADVERTENCIA** Utilice únicamente accesorios específicamente recomendados para esta herramienta. El uso de accesorios no recomendados podría resultar peligroso.

Un crimpado incompleto o defectuoso podría causar un incendio. Use únicamente la herramienta con matrices en forma de "U" y conectores para los cuales está diseñada. Las mordazas, matrices y conectores deben usarse en una combinación aprobada para lograr una operación exitosa. Las combinaciones inadecuadas pueden producir un crimpado con fallas. Puede presentarse una descarga eléctrica, incendio, explosión y daño a la propiedad.

### Cambio de los troqueles

Inspeccione los troqueles y los conectores antes de usarlos. Utilice únicamente troqueles y conectores que correspondan correctamente para las mordazas crimpadoras. Consulte las especificaciones para verificar la compatibilidad de los troqueles/conectores.

1. **⚠️ ADVERTENCIA!** Retire la batería para evitar arrancar la herramienta.
2. Coloque a presión las matrices correspondientes en cada lado de las mordazas crimpadoras.
3. Para retirar, oprima el botón de liberación para cada lado de las mordazas crimpadoras. Jale las matrices para sacarlas de las mordazas crimpadoras.

### ONE-KEY™

Para obtener más información acerca de la funcionalidad de ONE-KEY™ para esta herramienta, visite [milwaukee.com/One-Key](http://milwaukee.com/One-Key). Para descargar la aplicación ONE-KEY™, visite la App Store® o Google Play™ desde su dispositivo inteligente.

Indicador ONE-KEY™	
Azul fijo	El modo inalámbrico está activo y listo para configurar a través de la aplicación ONE-KEY™.
Azul intermitente	La herramienta tiene una comunicación activa con la aplicación ONE-KEY™.
Rojo intermitente	La herramienta tiene activo el bloqueo de seguridad y sólo podrá desbloquearla el dueño a través de la aplicación ONE-KEY™.

## OPERACION

**⚠ ADVERTENCIA** Para reducir las posibilidades de que se presenten riesgos de arco eléctrico, choque eléctrico o daños a la propiedad, trabaja en líneas desenergizadas cuando resulte posible. La herramienta no cuenta con aislamiento. En caso de que sea necesario trabajar en líneas energizadas, asegúrese de que se hayan tomado todas las debidas precauciones, incluidas aquellas que figuran en NFPA 70E, con anticipación. Mantenga las manos alejadas de las mordazas crimpadoras mientras se esté usando la herramienta. Los dedos podrían aplastarse. Siempre utilice la protección de ojos adecuada indicada para cumplir con lo dispuesto en la norma ANSI Z87.1.



### Crimpado

Antes de crimpar:

- Inspeccione las mordazas y matrices para detectar fisuras u otros daños. No utilice mordazas o matrices dañadas. Comuníquese con un centro de servicio MILWAUKEE.
  - Asegúrese que las matrices estén instaladas correctamente.
  - Las mordazas, matrices, conectores y cables deben usarse en UNA COMBINACIÓN APROBADA. Las combinaciones inadecuadas pueden producir un crimpado con fallas.
  - Inspeccione y descarte las piezas de trabajo con fisuras o desgaste antes de usarlas. Los materiales pueden fisurarse o quebrarse.
  - Siga las especificaciones de instalación especificadas en la **Tabla A o B** utilizando una combinación aprobada de mordazas, matrices, conectores y cables como se indica. Otros usos pueden causar daños a la herramienta, los accesorios y la pieza de trabajo.
1. Instale las matrices.
  2. Inserte la batería
  3. Gire las mordazas al ángulo deseado. Sostenga la herramienta firmemente. Presione sin soltar el gatillo.
  4. Cuando el ciclo haya finalizado, la herramienta se apagará y el indicador se iluminará. Suelte el gatillo. Oprima y sostenga el gatillo de reversa para regresar manualmente las mordazas crimpadoras.
- NOTA:** Después del que el ciclo alcance un cierto punto, el crimpado puede terminar automáticamente, incluso si se libera el gatillo.

LED Indicador	Definición
Verde fijo	La herramienta terminó la operación y alcanzó la presión total de crimpado.
Rojo fijo	La herramienta terminó la operación pero NO alcanzó la presión total de crimpado.
Rojo destellando	La herramienta NO realizó la operación.
Destellando Rojo/Verde (después Verde y Rojo fijo)	La herramienta llegó a su intervalo de servicio (20 000 crimpados). El color verde/rojo empezará a destellar después de que se muestre el indicador de la operación. Devuelva la herramienta a un centro de servicio MILWAUKEE.

5. Continúe pensando de acuerdo con las instrucciones en la **Tabla A o B**, o las instrucciones de instalación del fabricante del conector.
  - Los engarces deben colocarse uniformemente en el cañón del conector.
  - Los engarces deben colocarse razonablemente dentro de las bandas de color o área moleteada del conector.
  - Para **empalmes**, comience a apretar en el centro, trabajando hacia afuera mientras alterna los lados.
  - Para las **orejetas**, comience a apretar cerca de la almohadilla, trabajando hacia el cañón.
  - La orientación del engarzado no es crítica en los conectores de barril sin costura, pero para obtener los mejores resultados, gire la herramienta 180° entre los pliegues.
6. Un foco de LED iluminará la pieza de trabajo al jalar el gatillo.
7. El identificador de matriz se presiona dentro del conector durante el crimpado.

## MANTENIMIENTO

**ADVERTENCIA** Para reducir el riesgo de una lesión, desconecte siempre la herramienta antes de darle cualquier mantenimiento. Nunca desarme la batería, el cargador o la herramienta, salvo que así lo indiquen estas instrucciones. Comuníquese con un centro de servicio de MILWAUKEE para todas las demás reparaciones.

### Mantenimiento de las herramientas

Adopte un programa regular de mantenimiento y mantenga su herramienta en buenas condiciones. Inspeccione la herramienta para problemas como ruidos indebidos, desalineadas o agarradas de partes móviles, piezas rotas o cualquier otra condición que pueda afectar el funcionamiento de la herramienta. Envíe su herramienta al Centro de Servicio MILWAUKEE para reparación. Después de 6 meses a un año, dependiendo del uso dado, envíe su herramienta al Centro de Servicio MILWAUKEE más cercano para la inspección. Si la herramienta no arranca u opera a toda su potencia con una batería completamente cargada, limpie, con una goma o borrador, los contactos de la batería y de la herramienta. Si aun así la herramienta no trabaja correctamente, regrésela, con el cargador y la batería, a un centro de servicio MILWAUKEE.

### ONE-KEY™

Consulte la aplicación ONE-KEY para obtener información referente al servicio necesario, como la vida de la batería interna y el recuento de crimpados.

**ADVERTENCIA** Riesgo de quemadura química.

Este dispositivo contiene una batería de botón/tipo moneda de litio. Una batería nueva o usada puede causar quemaduras internas graves y causar la muerte tan solo en 2 horas si se ingiere o entra al cuerpo. Siempre asegure la cubierta de la batería. Si no se cierra con firmeza, deje de usar el dispositivo, retire las baterías y manténgala alejada de los niños. Si cree que las baterías pudieron ser ingeridas o entraron al cuerpo, busque atención médica de inmediato.

### Batería interna tipo moneda

Se usa una batería interna tipo moneda para facilitar la funcionalidad completa de ONE-KEY™. Para cambiar la batería tipo moneda:

1. **ADVERTENCIA!** Retire la batería para evitar arrancar la herramienta.
2. Retire los tornillos y abra la puerta del compartimiento de la batería tipo moneda.
3. Retire la batería tipo moneda anterior, manténgala fuera del alcance de los niños y deshágase de ella de la manera correcta.
4. Inserte la nueva batería tipo moneda (3V CR2032), con el lado positivo hacia arriba.
5. Cierre la tapa de la batería y apriete el tornillo (s) con firmeza.



**ADVERTENCIA** Para reducir el riesgo de una explosión, no queme nunca una batería, aun si está dañada, "muerta" o completamente descargada.

### Limpieza

Limpie el polvo y suciedad de las cualquier ventilas. Mantenga los herramienta, limpios, secos y libres de aceite o grasa. Use solo jabón neutro y un trapo húmedo para limpiar, ya que algunos substancias y solventes limpiadores son dañinos a los plásticos y partes aislantes. Algunos de estos incluyen: gasolina, turpentina, thinner, lacas, thinner para pinturas, solventes para limpieza con cloro, amoníaco y detergentes caseros que tengan amonía. Nunca usa solventes inflamables o combustibles cerca de una herramienta.

### Reparaciones

Si su herramienta, batería o cargador están dañados, envíela al centro de servicio autorizado más cercano.

## ACCESORIOS

**ADVERTENCIA** Utilice sólo los accesorios específicamente recomendados. Otros accesorios puede ser peligroso.

Para una lista completa de accesorios, visite nuestro sitio en Internet: [www.milwaukeetool.com](http://www.milwaukeetool.com) o póngase en contacto con un distribuidor.

## COMUNICACIÓN INALÁMBRICA

Para productos que cuentan con funciones de comunicación inalámbrica, incluida ONE-KEY™:

De conformidad con la parte 15.21 del Reglamento de FCC, no modifique este producto. La modificación podría ocasionar que se anule su autorización para operar el producto. Este dispositivo cumple con lo dispuesto en la parte 15 del Reglamento de la FCC así como las normas RSS de exención de licencia de ISED-Canada. La operación está sujeta a las siguientes dos condiciones: 1) Este dispositivo no debe ocasionar interferencia nociva y 2) este dispositivo debe aceptar cualquier interferencia que se reciba, incluyendo la interferencia que pueda ocasionar operación no deseada.

## SOPORTE DE SERVICIO - MEXICO

### CENTRO DE ATENCION A CLIENTES

Technonic Industries Mexico, S.A. de C.V.

Av. Presidente Masarik 29 Piso 7

11560 Polanco V Seccion

Miguel Hidalgo, Distrito Federal, México

01 (800) 030-7777 o (55) 4160-3540

Lunes a Viernes (9am a 6pm)

O contáctanos en [www.milwaukeetool.com.mx](http://www.milwaukeetool.com.mx)

## GARANTÍA LIMITADA - E.U.A. Y CANADÁ

Esta herramienta eléctrica de MILWAUKEE\* está garantizada, ante el comprador original únicamente, por parte de un distribuidor autorizado MILWAUKEE, de que no tenga material y mano de obra defectuosos. Sujeto a ciertas excepciones, MILWAUKEE reparará o sustituirá cualquier pieza de esta herramienta eléctrica que tenga defectos de material o mano de obra según lo determine MILWAUKEE mediante una revisión, por un periodo de cinco (5) años después de la fecha de compra a menos que se indique lo contrario. Al devolver la herramienta eléctrica a un centro de servicio de fábrica de MILWAUKEE o a una estación de servicio autorizada de MILWAUKEE, es necesario que la devolución se haga con flete pagado por adelantado y asegurado. Se debe incluir una copia del comprobante de compra con el producto devuelto. Esta garantía no aplica a daños que MILWAUKEE determine que son ocasionados por reparaciones o intentos de reparaciones realizados por una persona que no sea personal autorizado de MILWAUKEE, uso indebido, alteraciones, maltrato, desgaste normal, falta de mantenimiento o accidentes.

**Desgaste normal:** Muchas herramientas eléctricas necesitan cambios de piezas y mantenimiento periódicos para alcanzar su máximo rendimiento. Esta garantía no cubre la reparación cuando el uso normal ha agotado la vida útil de una pieza, incluyendo, entre otros, mandriles, cepillos, cables, zapatas de la sierra, abrazaderas de la hoja, juntas tóricas, sellos, protectores, hojas de accionamiento, pistones, herrajes, levantadores y arandelas de cubierta de los protectores.

\*La presente garantía no cubre ni las baterías ni todas las herramientas eléctricas. Consulte las distintas garantías independientes que están disponibles para estos productos.

La vigencia de la garantía de la luz LED en la lámpara LED de trabajo (49-24-0171) y el foco mejorado de LED (49-81-0090) es la misma que la vida útil del producto sujeto a las limitaciones anteriores. Si la luz LED o el foco mejorado LED presentan fallas durante su uso normal, se cambiará la pieza sin costo.

No es necesario realizar el registro de la garantía para recibir la garantía correspondiente a un producto de herramienta eléctrica de MILWAUKEE. La fecha de fabricación del producto servirá para determinar la vigencia de la garantía en caso de que no presente ningún comprobante de compra al solicitar el servicio en garantía.

**LA ACEPTACIÓN DE LOS RESARCIMIENTOS EXCLUSIVOS DE REPARACIÓN Y SUSTITUCIÓN AQUÍ DESCRITOS ES UNA CONDICIÓN DEL CONTRATO EN CUANTO A LA COMPRA DE TODO PRODUCTO DE MILWAUKEE. SI USTED NO ACEPTA ESTA CONDICIÓN, NO DEBE COMPRAR EL PRODUCTO. MILWAUKEE NO SERÁ RESPONSABLE EN NINGÚN CASO DE DAÑOS INCIDENTALES, ESPECIALES, EMERGENTES O PUNITIVOS NI DE NINGÚN COSTO, HONORARIOS DE ABOGADOS, GASTOS, PÉRDIDAS O DEMORAS QUE SUPUESTAMENTE SEAN CONSECUENCIA DE ALGÚN DAÑO, FALLA O DEFECTO DE ALGUNO DE LOS PRODUCTOS, INCLUYENDO, ENTRE OTROS, RECLAMACIONES POR PÉRDIDA DE UTILIDADES, ALGUNOS ESTADOS NO PERMITEN LA EXCLUSIÓN O LIMITACIÓN DE RESPONSABILIDAD POR DAÑOS INCIDENTALES O EMERGENTES, POR LO QUE LA ANTERIOR LIMITACIÓN O EXCLUSIÓN PODRÍA NO APLICARSE EN SU CASO. ESTA GARANTÍA ES EXCLUSIVA Y SUSTITUYE TODAS LAS DEMÁS GARANTÍAS EXPRESAS, SEAN ESTAS ESCRITAS U ORALES, HASTA DONDE PERMITA LA LEY, MILWAUKEE DESCONOCE CUALQUIER GARANTÍA IMPLÍCITA, INCLUYENDO, SIN LIMITACIÓN, CUALQUIER GARANTÍA IMPLÍCITA DE COMERCIABILIDAD O IDONEIDAD PARA UN FIN O USO ESPECÍFICO; HASTA EN QUE DICHO DESCONOCIMIENTO NO SEA PERMITIDO POR LA LEY,**

DICHAS GARANTÍAS IMPLÍCITAS SE LIMITAN A LA DURACIÓN DE LA GARANTÍA EXPRESA CORRESPONDIENTE SEGÚN LO ARRIBA DESCRITO. ALGUNOS ESTADOS NO PERMITEN LIMITACIONES EN LA VIGENCIA DE UNA GARANTÍA IMPLÍCITA, POR LO QUE LA ANTERIOR LIMITACIÓN PODRÍA NO APLICAR A USTED. ESTA GARANTÍA LE CONFIERE DERECHOS JURÍDICOS ESPECÍFICOS Y USTED PODRÍA, ADEMÁS, TENER OTROS DERECHOS QUE VARIAN SEGÚN EL ESTADO.

Esta garantía aplica únicamente a los productos vendidos en EE. UU. y Canadá.

Consulte la pestaña "Búsqueda de centro de servicio" en la sección de Partes y servicio del sitio web de MILWAUKEE en [www.milwaukeeetool.com](http://www.milwaukeeetool.com) o llame al 1.800.SAWDUST (1.800.729.3878) para localizar su centro de servicio más cercano para darle servicio, con y sin garantía, a una herramienta de MILWAUKEE.

## PÓLIZA DE GARANTÍA - VALIDA SOLO PARA MEXICO, AMERICA CENTRAL Y EL CARIBE

La garantía de TECHTRONIC INDUSTRIES es por 5 años a partir de la fecha original de compra.

Esta tarjeta de garantía cubre cualquier defecto de material y mano de obra en ese Producto.

Para hacer válida esta garantía, presente esta tarjeta de garantía, cerrada/sellada por el distribuidor o la tienda donde compró el producto, al Centro de Servicio Autorizado (ASC). O, si esta tarjeta no se ha cerrado/sellado, presente la prueba original de compra a ASC. Llame 55 4160-3547 para encontrar el ASC más cercano, para servicio, partes, accesorios o componentes.

### Procedimiento para hacer válida esta garantía

Lleve el producto a ASC, junto con la tarjeta de garantía cerrada/sellada por el distribuidor o la tienda donde compró el producto, y cualquier pieza o componente defectuoso se reemplazará sin costo para usted. Cubriremos todos los costos de flete con relación a este proceso de garantía.

### Excepciones

Esta garantía no tendrá validez en las siguientes situaciones:

- Cuando el producto se use de manera distinta a la que indica el manual del usuario final o de instrucciones.
- Cuando las condiciones de uso no sean normales.
- Cuando otras personas no autorizadas por TECHTRONIC INDUSTRIES modifiquen o reparen el producto.

**Nota:** si el juego de cables está dañado, tiene que reemplazarse en un Centro de Servicio Autorizado para evitar riesgos eléctricos.

### CENTRO DE SERVICIO Y ATENCIÓN

Llame al 55 4160-3547

IMPORTADO Y COMERCIALIZADO POR  
TECHTRONIC INDUSTRIES, MÉXICO, S.A. DE C.V.  
Miguel de Cervantes Saavedra No.301 Piso 5, Torre Norte  
11520 Colonia Ampliación Granada  
Miguel Hidalgo, Ciudad de México, México

Modelo: \_\_\_\_\_

Fecha de Compra: \_\_\_\_\_

Sello del Distribuidor: \_\_\_\_\_

**MILWAUKEE TOOL**  
13135 West Lisbon Road  
Brookfield, WI 53005 USA

58142779d7  
04/23

961014625-03(A)  
Printed in China