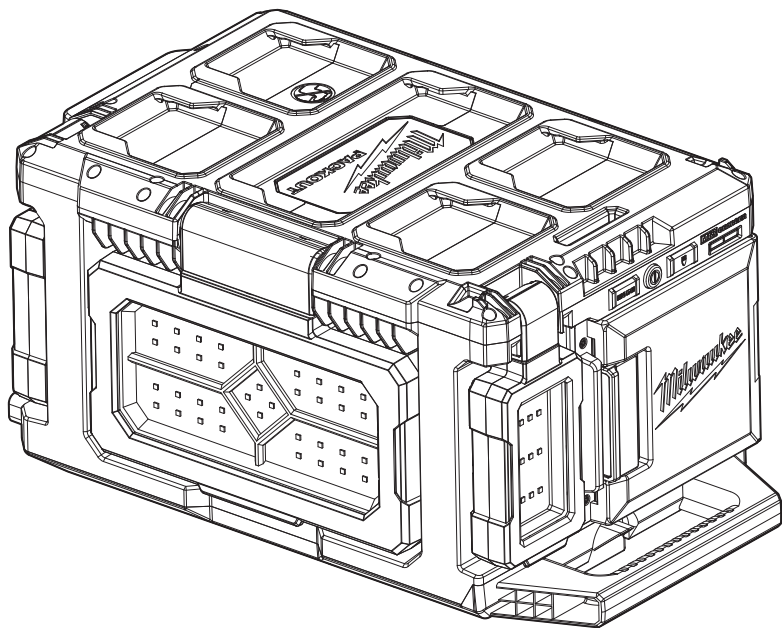




OPERATOR'S MANUAL  
MANUEL de L'UTILISATEUR  
MANUAL del OPERADOR



Cat. No. / No de cat.  
2357-20

**M18™ PACKOUT™ LIGHT/CHARGER**  
**LAMPE/CHARGEUR M18™ PACKOUT™**  
**LÁMPARA/CARGADOR M18™ PACKOUT™**



**WARNING** To reduce the risk of injury, user must read and understand operator's manual.

**AVERTISSEMENT** Afin de réduire le risque de blessures, l'utilisateur doit lire et bien comprendre le manuel.

**ADVERTENCIA** Para reducir el riesgo de lesiones, el usuario debe leer y entender el manual.

# IMPORTANT SAFETY INSTRUCTIONS

**WARNING** Read all safety warnings and all instructions. Failure to follow the warnings and instructions may result in electric shock, fire and/or serious injury. Save all warnings and instructions for future reference.

## WORK AREA SAFETY

- To reduce the risk of injury, close supervision is necessary when an appliance is used near children.
- Store idle light out of reach of children. Warm lights can become hazardous in the hands of children.
- Do not expose to rain. Store indoors.

## ELECTRICAL SAFETY

- Power cord plugs must match the outlet. Never modify the plug in any way. Do not use any adapter plugs with earthed (grounded) power tools. Unmodified plugs and matching outlets will reduce risk of electric shock.
- Avoid body contact with earthed or grounded surfaces, such as pipes, radiators, ranges and refrigerators. There is an increased risk of electric shock if your body is earthed or grounded.
- To reduce the risk of electric shock, do not put light in water or other liquid. Do not place or store appliance where it can fall or be pulled into a tub or sink.
- Do not abuse the cord. Never use the cord for carrying, pulling or unplugging the power tool. Keep cord away from heat, oil, sharp edges or moving parts. Damaged or entangled cords increase the risk of electric shock.
- Arrange cords carefully to avoid hazardous environments. Tripping or snagging on cords can cause injury and product damage. Do not allow cords to run through puddles or across wet ground.
- Do not unplug by pulling on the cord. To unplug, grasp the plug, not the cord.
- Unplug the cord from outlet when not in use and before servicing or cleaning.
- Always use a suitable extension cord to reduce the risk of electric shock.
- When operating a light outdoors, use an extension cord suitable for outdoor use. Use of a cord suitable for outdoor use reduces the risk of electric shock.
- If operating a light in a damp location is unavoidable, use a ground fault circuit interrupter (GFCI) protected supply. Use of an GFCI reduces the risk of electric shock.

## PERSONAL SAFETY

- Do not overreach. Keep proper footing and balance at all times. This enables better control of the power tool in unexpected situations.
- Do not use on a ladder or unstable support. Loose Stable footing on a solid surface enables better control of the light in unexpected situations.

- Do not stare at the operating light source.
- To reduce the risk of fire or burns, keep hands and combustible materials away from lens. Lens may become hot after extended use.
- Prevent unintentional starting. Ensure the switch is in the off-position before connecting to battery pack, picking up or carrying the appliance. Carrying the appliance with your finger on the switch or energizing appliance that have the switch on invites accidents.

## BATTERY TOOL USE AND CARE

- Recharge only with the charger specified by the manufacturer. A charger that is suitable for one type of battery pack may create a risk of fire when used with another battery pack.
- Use light only with specifically designated battery packs. Use of any other battery packs may create a risk of injury and fire.
- Disconnect the battery pack from the appliance before making any adjustments, changing accessories, or storing appliance. Such preventive safety measures reduce the risk of starting the appliance accidentally.
- When battery pack is not in use, keep it away from other metal objects, like paper clips, coins, keys, nails, screws or other small metal objects, that can make a connection from one terminal to another. Shorting the battery terminals together may cause burns or a fire.
- Do not short circuit. A short-circuited battery pack may cause fire, personal injury, and product damage. A battery pack will short circuit if a metal object makes a connection between the positive and negative contacts on the battery pack. Do not place a battery pack near anything that may cause a short circuit, such as coins, keys or nails in your pocket.
- Do not allow fluids to flow into battery pack. Corrosive or conductive fluids, such as seawater, certain industrial chemicals, and bleach or bleach.
- Under abusive conditions, liquid may be ejected from the battery; avoid contact. If contact accidentally occurs, flush with water. If liquid contacts eyes, additionally seek medical help. Liquid ejected from the battery may cause irritation or burns.
- Do not use a battery pack or tool that is damaged or modified. Damaged or modified batteries may exhibit unpredictable behavior resulting in fire, explosion or risk of injury.
- Do not expose a battery pack or tool to fire or excessive temperature. Exposure to fire or temperature above 265°F (130°C) may cause explosion.
- Follow all charging instructions and do not charge the battery pack or tool outside the temperature range specified in the instructions. Charging improperly or at temperatures outside the specified range may damage the battery and increase the risk of fire.

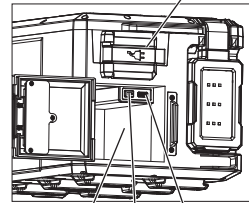
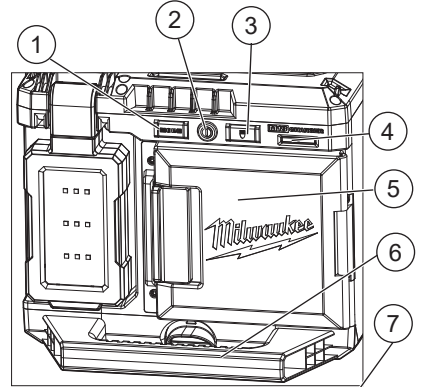
## CHARGER USE AND CARE

- Caution - To reduce the risk of injury, charge MILWAUKEE Lithium-Ion packs only in their MILWAUKEE Lithium-Ion charger. Other types of batteries may burst causing personal injury and damage. Do not wire a battery pack to a power

supply plug or car cigarette lighter. Batteries will be permanently disabled or damaged.

- **Charge only MILWAUKEE M18™ Lithium-Ion packs.** Other types of batteries may burst causing personal injury or damage.
- **Avoid dangerous environments.** Do not charge battery pack in rain, snow, damp or wet locations. Do not use battery pack or charger in the presence of explosive atmospheres (gaseous fumes, dust or flammable materials) because sparks may be generated when inserting or removing battery pack, possibly causing fire.
- **Charge in a well ventilated area.** Do not allow smoking or open flames near a charging battery pack. Vented gases may explode.
- **Maintain charger cord.** When unplugging charger, pull plug rather than cord to reduce the risk of damage to the electrical plug and cord. Never carry charger by its cord. Keep cord from heat, oil and sharp edges. Make sure cord will not be stepped on, tripped over or subjected to damage or stress. Do not use charger with damaged cord or plug. Have a damaged charger replaced immediately.
- **Use only recommended attachments.** Use of an attachment not recommended or sold by the battery charger or battery pack manufacturer may result in a risk of fire, electric shock or personal injury.
- **Unplug charger** when not in use. Remove battery packs from unplugged chargers.
- **To reduce the risk of electric shock,** always unplug charger before cleaning or maintenance. Do not allow water to flow into AC/DC plug. Use a Ground Fault Circuit Interrupter (GFCI) to reduce shock hazards.
- **Store your battery and charger** in a cool, dry place. Do not store battery pack where temperatures may exceed 120°F (50°C) such as in direct sunlight, a vehicle or metal building during the summer.

## FUNCTIONAL DESCRIPTION



1. MODE button
2. Power button
3. Brightness button
4. Charger indicators
5. Battery bay
6. Handle
7. AC input
8. USB power outlet
9. USB power button
10. Storage compartment

## SERVICE

- **Have your light serviced by a qualified repair person using only identical replacement parts.** This will ensure that the safety of the light is maintained.
- **Never service damaged battery packs.** Service of battery packs should only be performed by the manufacturer or authorized service providers.

## SPECIFIC SAFETY RULES FOR LIGHTS

- **Warning - The lens may get hot during use.** To reduce the risk of burns, do not touch hot lens.
- **Always use common sense and be cautious when using tools.** It is not possible to anticipate every situation that could result in a dangerous outcome. Do not use this tool if you do not understand these operating instructions or you feel the work is beyond your capability; contact Milwaukee Tool or a trained professional for additional information or training.
- **Maintain labels and nameplates.** These carry important information. If unreadable or missing, contact a MILWAUKEE service facility for a free replacement.

**SAVE THESE INSTRUCTIONS**

## SYMBOLGY

- Volts
- Direct Current
- Alternating Current
- Amps
- Hertz
- Do not stare at the operating light source.
- Double insulated
- Do not step or stand.
- AC Power
- Universal Serial Bus (USB)
- USB power button
- UL Listing for Canada and U.S.

# SPECIFICATIONS

Cat. No.....	2357-20
DC Input Volts.....	18
DC Output Volts.....	18
DC Output Amps.....	3.5
AC Input Volts.....	120
AC Input Amps.....	3.2
Output Volts USB.....	5
Output Amps USB.....	2.1
Operating Temperature	
Battery and Charger .....	32°F to 150°F (0°C to 65°C)
Battery and Tool.....	-4°F to 104°F (-20°C to 40°C)
M18™ Li-Ion Battery Packs .....	18 V DC

# EXTENSION CORDS

Grounded tools require a three wire extension cord. Double insulated tools can use either a two or three wire extension cord. As the distance from the supply outlet increases, you must use a heavier gauge extension cord. Using extension cords with inadequately sized wire causes a serious drop in voltage, resulting in loss of power and possible tool damage. Refer to the table shown to determine the required minimum wire size.

The smaller the gauge number of the wire, the greater the capacity of the cord. For example, a 14 gauge cord can carry a higher current than a 16 gauge cord. When using more than one extension cord to make up the total length, be sure each cord contains at least the minimum wire size required. If you are using one extension cord for more than one tool, add the nameplate amperes and use the sum to determine the required minimum wire size.

## Guidelines for Using Extension Cords

- Be sure your extension cord is properly wired and in good electrical condition. Always replace a damaged extension cord or have it repaired by a qualified person before using it.
- Protect your extension cords from sharp objects, excessive heat and damp or wet areas.

### Recommended Minimum Wire Gauge For Extension Cords\*

Nameplate Amps	Extension Cord Length				
	25'	50'	75'	100'	150'
0 - 2.0	18	18	18	18	16
2.1 - 3.4	18	18	18	16	14
3.5 - 5.0	18	18	16	14	12
5.1 - 7.0	18	16	14	12	12
7.1 - 12.0	16	14	12	10	--
12.1 - 16.0	14	12	10	--	--
16.1 - 20.0	12	10	--	--	--

\* Based on limiting the line voltage drop to five volts at 150% of the rated amperes.

**READ AND SAVE ALL INSTRUCTIONS FOR FUTURE USE.**

# GROUNDING

**⚠ DANGER** Improperly connecting the grounding wire can result in the risk of electric shock. Check with a qualified electrician if you are in doubt as to whether the outlet is properly grounded. Do not modify the plug provided with the tool. Never remove the grounding prong from the plug. Do not use the tool if the cord or plug is damaged. If damaged, have it repaired by a MILWAUKEE service facility before use. If the plug will not fit the outlet, have a proper outlet installed by a qualified electrician.

## Grounded Tools (Three-Prong Plugs)

Tools marked "Grounding Required" have a three wire cord and three prong grounding plug. The plug must be connected to a properly grounded outlet (See Figure A). If the tool should electrically malfunction or break down, grounding provides a low resistance path to carry electricity away from the user, reducing the risk of electric shock.

The grounding prong in the plug is connected through the green wire inside the cord to the grounding system in the tool. The green wire in the cord must be the only wire connected to the tool's grounding system and must never be attached to an electrically "live" terminal. Your tool must be plugged into an appropriate outlet, properly installed and grounded in accordance with all codes and ordinances. The plug and outlet should look like those in Figure A.



Fig. A

## Double Insulated Tools (Two-Prong Plugs)

Tools marked "Double Insulated" do not require grounding. They have a special double insulation system which satisfies OSHA requirements and complies with the applicable standards of Underwriters Laboratories, Inc., the Canadian Standard Association and the National Electrical Code. Double Insulated tools may be used in either of the 120 volt outlets shown in Figures B and C.

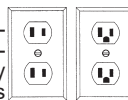


Fig. B

Fig. C

# ASSEMBLY

**⚠ WARNING** Recharge only with the charger specified for the battery. For specific charging instructions, read the operator's manual supplied with your charger and battery.

## Removing/Inserting the Battery

To **remove** the battery, push in the release buttons and pull the battery pack away from the tool.

**⚠ WARNING** Always remove battery pack before changing or removing accessories.

To **insert** the battery, slide the pack into the body of the tool. Make sure it latches securely into place.

**⚠ WARNING** Only use accessories specifically recommended for this tool. Others may be hazardous.

## Inserting/Removing Extension Cord

When not using the AC option, make sure the AC doors are closed completely.

Open the door and plug a suitable extension cord into the light. To disconnect the extension cord, press the Power button to turn off the light, then remove the cord from the outlet.

**NOTE:** When an extension cord is plugged into the light, the light will automatically run on AC power.

# OPERATION

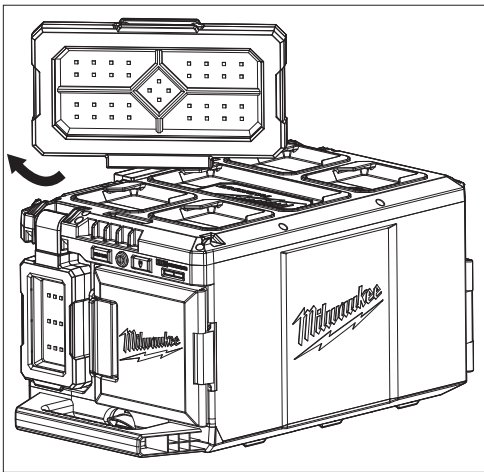
**CAUTION** To reduce the risk of injury, do not stare at the operating light source.

## Using the Lights

1. Insert battery pack or plug into AC power.
  2. Press the power **(I)** button to turn on the light.
  3. Press the brightness **(☾)** button to cycle through High, Medium, and Low.
  4. Press the MODE button to select full lighting, main light, or front/back lights.
  5. Press the power **(I)** button to turn OFF the light.
- NOTE:** The light will default to the selected brightness and selected area setting the next time it is turned on. On battery power, the light will flash to indicate the battery is reaching end-of-charge.

## Rotating the Lights

To rotate the main light, pull the light outward and rotate up to 210° counter clockwise or 95° clockwise. To rotate the front and back lights, pull the lights outward and rotate up to 30° counterclockwise or 300° clockwise.



## USB Power Outlet

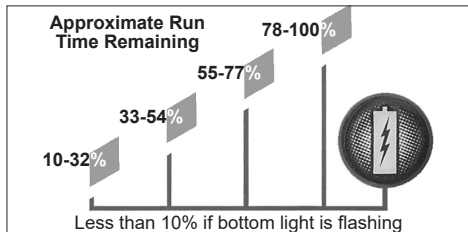
This outlet can be used to charge a cell phone, power an MP3 player or any other device that uses less than 2.1A of DC electrical current. To turn on the USB, press the USB power **(⚡)** button. The USB port will remain on for two hours before turning off automatically.

**NOTE:** Any device that uses more than 2.4A of DC electrical current will trip a self-resetting overload and disable the output.

# BATTERY OPERATION

## Fuel Gauge

Use the Fuel Gauge to determine the battery pack's remaining run time. Press the Fuel Gauge button to display the lights. The Fuel Gauge will light up for 2-3 seconds. When less than 10% of charge is left, 1 light on the fuel gauge will flash slowly.



**NOTE:** If the Fuel Gauge doesn't appear to be working, place the battery pack on the charger and charge as needed.

Compared to NiCd battery pack types, MILWAUKEE Lithium-Ion battery packs deliver fade-free power for their entire run time. The tool will not experience a slow, gradual loss of power as you work. To signal the end of discharge, 1 light on the fuel gauge will flash quickly for 2-3 seconds and the tool will not run. Charge the battery pack.

**NOTE:** Immediately after using the battery pack, the Fuel Gauge may display a lower charge than it will if checked a few minutes later. The battery cells "recover" some of their charge after resting.

## Battery Pack Protection

To protect itself from damage and extend its life, the battery pack's intelligent circuit monitors current draw and temperature. In extremely high torque, binding, stalling, and short circuit situations, the battery pack will turn OFF the tool if the current draw becomes too high. All the fuel gauge lights will flash. Release the trigger and restart.

Under extreme circumstances, the internal temperature of the battery could become too high. If this happens, the fuel gauge lights will flash in an alternating pattern and the tool will not run. Allow the battery to cool down.

Fuel Gauge Lights	Diagnosis	Solution
Lights 1 - 4 Solid	Remaining run time	Continue working
1 Light, flashing slowly	Less than 10% run time left	Prepare to charge pack
1 Light, flashing quickly	End of discharge	Charge pack
Lights 1-4, flashing quickly	Current draw too high	Release trigger and restart, reduce pressure
Lights 1&3 / 2&4, flashing alternately	Battery temperature too high	Release trigger and allow battery to cool

## Cold Weather Operation

MILWAUKEE Lithium-Ion battery packs are designed to operate in temperatures below freezing. When the battery pack is too cold, it may need to warm up before normal use. Put the battery on a tool and use the tool in a light application. It may "buzz" for a short time until it warms up. When the buzzing stops, use the tool normally.

## Maintenance and Storage

Do not expose your battery pack or cordless tools to water or rain, or allow them to get wet. This could damage the tool and battery pack. Do not use oil or solvents to clean or lubricate your battery pack. The plastic casing will become brittle and crack, causing a risk of injury.

Store battery packs at room temperature away from moisture. Do not store in damp locations where corrosion of terminals may occur. As with other battery pack types, permanent capacity loss can result if the pack is stored for long periods of time at high temperatures (over 120° F). MILWAUKEE Lithium-Ion battery packs maintain their charge during storage longer than other battery pack types. After about a year of storage, charge the pack as normal.

## Transport

Personal transport of Li-Ion battery packs is allowed when done in accordance with these warnings and instructions. The proper classification, packaging, labeling, marking, and documentation requirements for shipping Li-Ion batteries is dependent upon whether the particular batteries are rated greater than or less than 100 Wh (Watt Hours can be found on the battery pack nameplate). Generally, Li-Ion batteries rated 100 Wh or less are "excepted" from certain Class 9 DG requirements. Always check compliance of Li-Ion battery consignments against the current regulations governing the chosen mode of transport. When in doubt, contact the carrier or other trained Dangerous Goods professional to confirm acceptability. Li-Ion packs are shipped under classification UN 3480 (battery only) or UN 3481 (batteries contained in or packed with equipment).

**⚠WARNING** To reduce the risk of injury or explosion, never burn or incinerate a battery pack even if it is damaged, dead or completely discharged. When burned, toxic fumes and materials are created.

## Disposing of MILWAUKEE Lithium-Ion Battery Packs

MILWAUKEE Lithium-Ion battery packs are more environmentally friendly than some other types of power tool battery packs (e.g., nickel-cadmium). Always dispose of your battery pack according to federal, state and local regulations. Contact a recycling agency in your area for recycling locations. Even discharged battery packs contain some energy. Before disposing, use electrical tape to cover the terminals to prevent the battery pack from shorting, which could cause a fire or explosion.

## RBRC Battery Recycling Seals

The RBRC™ Battery Recycling Seals (see "Symbolology") on your tool battery packs indicate that MILWAUKEE has arranged for the recycling of that battery pack with the Rechargeable Battery Recycling Corporation (RBRC). At the end of your battery pack's useful life, return the battery pack to a MILWAUKEE Branch Office/Service Center or the participating retailer nearest you. For more information, visit the RBRC web site at [www.rbrc.org](http://www.rbrc.org).

# CHARGER OPERATION

**⚠WARNING** Charge only MILWAUKEE M18™ Lithium-Ion batteries in this MILWAUKEE Lithium-Ion charger. Other types of batteries may cause personal injury and damage.

## When to Charge the Battery Pack

To charge the battery pack, connect the light to AC power and insert a battery pack. The light will remain operational when the battery pack is charging. MILWAUKEE batteries do not develop a "memory" when charged after only a partial discharge. It is not necessary to run down the battery pack before placing it on the charger.

- Use the Fuel Gauge to determine when to charge your MILWAUKEE Lithium-Ion battery pack.
- You can "Top-Off" your battery pack's charge before starting a big job or long day of use.
- The only time it is necessary to charge the MILWAUKEE Lithium-Ion battery pack is when the battery pack has reached the end of its charge. To signal the end of charge, power to the tool will drop quickly, allowing you just enough power to finish making a cut, drilling a hole, or driving a fastener. Charge the battery pack as needed.

## How to Charge the Battery Pack

Plug the light into a 120V outlet. The battery packs will not charge if the Light is not plugged in. Align the battery pack with the bay and slide the battery pack into the charger as far as possible.

- When a battery pack is inserted into the charger, the LEDs will indicate the following:



Continuous red: Charging



Continuous green light: Charging is complete



Flashing red: Battery is too hot/cold



Charging will begin when battery reaches correct charging temperature



Flashing red/green: Damaged or faulty battery pack

- A fully discharged battery pack with an internal temperature in the normal range will charge in about 30 to 185 minutes, depending on the battery pack.
- Heavily cycled batteries may take longer to charge completely.
- The Fuel Gauge lights on the battery pack are displayed as the pack is being charged, indicating how fully charged the pack is. The fuel gauge will turn off when charging is complete.
- After charging is complete, the continuous green light will come on.
- The charger will keep the battery pack fully charged if it is left on the charger. The light indicator will flash green during this maintenance charging.
- If the light indicator flashes red and green, check that the battery pack is fully seated into the bay. Remove the pack and reinsert. If the problem persists, contact a MILWAUKEE service facility.

• If the light indicator does not come on, check that the battery pack is fully seated into the bay. Remove the battery pack and reinsert. If the light indicator still does not come on, contact a MILWAUKEE service facility.

### Charging a Hot or Cold Battery Pack

The Red Flashing Indicator light on the charger indicates that the battery pack temperature is outside the charging range. Once the battery pack is within the acceptable range, normal charging will take place and the red light will be continuous. Hot or cold batteries may take longer to charge.

#### Lithium-Ion Charging Status

Battery Pack Temperature	Red Charger Indicator Light	Charging Status
Too Hot	Fast Flashing	Not charging
Normal Range	Continuous	Normal charging
Too Cold	Fast Flashing	Not charging

## MAINTENANCE

**WARNING** To reduce the risk of injury, always unplug the charger and remove the battery pack from the charger or tool before performing any maintenance. Never disassemble the tool, battery pack or charger. Contact a MILWAUKEE service facility for ALL repairs.

To reduce the risk of fire, personal injury, and product damage due to a short circuit, never immerse your tool, battery pack or charger in fluid or allow a fluid to flow inside them. Corrosive or conductive fluids, such as seawater, certain industrial chemicals, and bleach or bleach containing products, etc., can cause a short circuit.

### Maintaining Light

Keep your light, battery pack and charger in good repair by adopting a regular maintenance program. If the light does not work properly, return the light to a MILWAUKEE service facility for repairs.

**WARNING** To reduce the risk of personal injury and damage, never immerse your tool, battery pack or charger in liquid or allow a liquid to flow inside them.

### Cleaning

Clean dust and debris from vents. Keep handles clean, dry and free of oil or grease. Use only mild soap and a damp cloth to clean, since certain cleaning agents and solvents are harmful to plastics and other insulated parts. Some of these include gasoline, turpentine, lacquer thinner, paint thinner, chlorinated cleaning solvents, ammonia and household detergents containing ammonia. Never use flammable or combustible solvents around tools.

### Repairs

For repairs, return the tool, battery pack and charger to the nearest authorized service center.

## ACCESSORIES

**WARNING** Use only recommended accessories. Others may be hazardous.

For a complete listing of accessories, go online to [www.milwaukeeetool.com](http://www.milwaukeeetool.com) or contact a distributor.

## SERVICE - UNITED STATES

**1-800-SAWDUST (1.800.729.3878)**

Monday-Friday, 7:00 AM - 6:30 PM CST

or visit [www.milwaukeeetool.com](http://www.milwaukeeetool.com)

Contact Corporate After Sales Service Technical Support with technical, service/repair, or warranty questions.

Email: [metproductsupport@milwaukeeetool.com](mailto:metproductsupport@milwaukeeetool.com)

Become a Heavy Duty Club Member at [www.milwaukeeetool.com](http://www.milwaukeeetool.com) to receive important notifications regarding your tool purchases.

## SERVICE - CANADA

**Milwaukee Tool (Canada) Ltd**

**1.800.268.4015**

Monday-Friday, 7:00 AM - 4:30 PM CST

or visit [www.milwaukeeetool.ca](http://www.milwaukeeetool.ca)

## LIMITED WARRANTY USA & CANADA

Every MILWAUKEE power tool\* (see exceptions below) is warranted to the original purchaser only to be free from defects in material and workmanship. Subject to certain exceptions, MILWAUKEE will repair or replace any part on an electric power tool which, after examination, is determined by MILWAUKEE to be defective in material or workmanship for a period of five (5) years\*\* after the date of purchase unless otherwise noted. Return of the power tool to a MILWAUKEE factory Service Center location or MILWAUKEE Authorized Service Station, freight prepaid and insured, is required. A copy of the proof of purchase should be included with the return product. This warranty does not apply to damage that MILWAUKEE determines to be from repairs made or attempted by anyone other than MILWAUKEE authorized personnel, misuse, alterations, abuse, normal wear and tear, lack of maintenance, or accidents.

Normal Wear: Many power tools need periodic parts replacement and service to achieve best performance. This warranty does not cover repair when normal use has exhausted the life of a part including, but not limited to, chucks, brushes, cords, saw shoes, blade clamps, o-rings, seals, bumpers, driver blades, pistons, strikers, lifters, and bumper cover washers.

\*This warranty does not cover Air Nailers & Staplers; Airless Paint Sprayer; Cordless Battery Packs; Gasoline Driven Portable Power Generators; Hand Tools; Hoist - Electric, Lever & Hand Chain; M12™ Heated Gear; Reconditioned Product; and Test & Measurement Products. There are separate and distinct warranties available for these products.

\*\*The warranty period for Job Site Radios, M12™ Power Port, M18™ Power Source, Jobsite Fan and Trade Titan™ Industrial Work Carts is one (1) year from the date of purchase. The warranty period for the M18 FUEL™ 1" D-Handle High Torque Impact Wrenches, Drain Cleaning Cables, AIRSNAKE™ Drain Cleaning Air Gun Accessories, and REDLITHIUM™ USB Laser Levels is two (2) years from the date of purchase. The warranty period for the M18™ Compact Heat Gun, 8 Gallon Dust Extractor, M18™ Framing Nailers, M18 FUEL™ 1/2" Ext. Anvil Controlled Torque Impact Wrench w/ ONE-KEY™, M18 FUEL™ 1" High Torque Impact Wrench w/ ONE-KEY™, M18 FUEL™ 2 Gal. Compact Quiet Compressor, and M12™ Laser Levels is three (3) years from the date of purchase. The warranty period for the LED in the LED Work Light and the LED Upgrade Bulb for the Work Light is the lifetime of the product subject to the limitations above. If during normal use the LED or LED Bulb fails, the part will be replaced free of charge.

Warranty Registration is not necessary to obtain the applicable warranty on a MILWAUKEE power tool product. The manufacturing date of the product will be used to determine the warranty period if no proof of purchase is provided at the time warranty service is requested.

ACCEPTANCE OF THE EXCLUSIVE REPAIR AND REPLACEMENT REMEDIES DESCRIBED HEREIN IS A CONDITION OF THE CONTRACT FOR THE PURCHASE OF EVERY MILWAUKEE PRODUCT. IF YOU DO NOT AGREE TO THIS CONDITION, YOU SHOULD NOT PURCHASE THE PRODUCT. IN NO EVENT SHALL MILWAUKEE BE LIABLE FOR ANY INCIDENTAL, SPECIAL, CONSEQUENTIAL OR PUNITIVE DAMAGES, OR FOR ANY COSTS, ATTORNEY FEES, EXPENSES, LOSSES OR DELAYS ALLEGED TO BE AS A CONSEQUENCE OF ANY DAMAGE TO, FAILURE OF, OR DEFECT IN ANY PRODUCT INCLUDING, BUT NOT LIMITED TO, ANY CLAIMS FOR LOSS OF PROFITS. SOME STATES DO NOT ALLOW THE EXCLUSION OR LIMITATION OF INCIDENTAL OR CONSEQUENTIAL DAMAGES, SO THE ABOVE LIMITATION OR EXCLUSION MAY NOT APPLY TO YOU. THIS WARRANTY IS EXCLUSIVE AND IN LIEU OF ALL OTHER EXPRESS WARRANTIES, WRITTEN OR ORAL. TO THE EXTENT PERMITTED BY LAW, MILWAUKEE DISCLAIMS ANY IMPLIED WARRANTIES, INCLUDING WITHOUT LIMITATION

ANY IMPLIED WARRANTY OF MERCHANTABILITY OR FITNESS FOR A PARTICULAR USE OR PURPOSE, TO THE EXTENT SUCH DISCLAIMER IS NOT PERMITTED BY LAW, SUCH IMPLIED WARRANTIES ARE LIMITED TO THE DURATION OF THE APPLICABLE EXPRESS WARRANTY AS DESCRIBED ABOVE. SOME STATES DO NOT ALLOW LIMITATIONS ON HOW LONG AN IMPLIED WARRANTY LASTS. SO THE ABOVE LIMITATION MAY NOT APPLY TO YOU. THIS WARRANTY GIVES YOU SPECIFIC LEGAL RIGHTS, AND YOU MAY ALSO HAVE OTHER RIGHTS WHICH VARY FROM STATE TO STATE.

This warranty applies to product sold in the U.S.A. and Canada only. Please consult the 'Service Center Search' in the Parts & Service section of MILWAUKEE's website [www.milwaukeeetool.com](http://www.milwaukeeetool.com) or call 1.800.SAWDUST (1.800.729.3878) to locate your nearest service facility for warranty and non-warranty service on a Milwaukee electric power tool.

## LIMITED WARRANTY USA & CANADA

Every MILWAUKEE Battery Pack (sold with cordless product and/or as a replacement battery pack) is warranted to the original purchaser only to be free from defects in material and workmanship. Subject to certain exceptions, MILWAUKEE will repair or replace a battery pack which, after examination, is determined by MILWAUKEE to be defective in material or workmanship for the stated warranty period from date of purchase. Return of the battery pack to a MILWAUKEE factory Service Center location or MILWAUKEE Authorized Service Station, freight prepaid and insured, is required. For the proper shipping procedure of battery packs, contact 1.800.SAWDUST (1.800.729.3878), or go to [www.milwaukeeetool.com](http://www.milwaukeeetool.com). A copy of the proof of purchase should be included with the return product. This warranty does not apply to damage that MILWAUKEE determines to be from repairs made or attempted by anyone other than MILWAUKEE authorized personnel, misuse, alterations, abuse, normal wear and tear, lack of maintenance, or accidents.

Battery Pack Cat. No.	Chemistry	Warranty Period (from date of purchase)
48-11-1812 48-11-1828 (Serial number prefix "B41E" and later) 48-11-1840 48-11-1850 48-11-1860 48-11-1865 48-11-1880 48-11-1890 48-11-2402 48-11-2440 48-11-2460 48-11-2630 (Serial number prefix "C71")	LITHIUM-ION	Three (3) Years
48-11-0490 48-11-1815 48-11-1820 48-11-1835 48-11-2001 48-11-2401 48-11-2420 48-11-2430	LITHIUM-ION	Two (2) Years
48-11-1828 (Serial number prefix "B41D" and earlier) 48-11-1830 (Serial number prefix "A95") 48-11-2830 (Serial number prefix "A71")	LITHIUM-ION	Two (2) Years – plus, Three (3) Years Pro-Rata (prorated)*
48-11-0100 48-11-1024 48-11-1830 (Serial number prefix "E95") 48-11-1970 48-11-2230	Nickel-Cadmium (Ni-Cd), Nickel-Metal-Hydride (Ni-MH), LITHIUM-ION	One (1) Year

\*The warranty period for MILWAUKEE M18™ 48-11-1828 (with the serial number prefix "B41D" and earlier), V18™ 48-11-1830 (with the serial number prefix "A95"), and V28™ 48-11-2830 (with the serial number prefix "A71") is five (5) years / 2000 charges from the date of purchase, whichever first occurs. The first 1000 charges or 2 years of the warranty, whichever first occurs, are covered through free replacement of the defective battery. This means that for the earlier of the first 1000 charges or two (2) years from the date of purchase/first charge, a replacement battery will be provided to the customer for any defective battery free of charge. Thereafter, the remaining charges up to a total of 2000 or the remainder of the five (5) year period from the date of purchase, whichever first occurs, will be covered on a pro rata basis. This means that every customer gets an additional 1000 charges or three (3) years of pro rata warranty on the these battery packs, depending upon the amount of use. MILWAUKEE M18™ 48-11-1828 (with the serial number prefix "B41E" and later), V18™ 48-11-1830 (with the serial number prefix "E95"), and M28™ 48-11-2830 (with the serial number prefix "C71") have different warranty periods, as listed.

Warranty Registration is not necessary to obtain the applicable warranty on a MILWAUKEE battery pack. The manufacturing date of the product will be used to determine the warranty period if no proof of purchase is provided at the time warranty service is requested.

ACCEPTANCE OF THE EXCLUSIVE REPAIR AND REPLACEMENT REMEDIES DESCRIBED HEREIN IS A CONDITION OF THE CONTRACT FOR THE PURCHASE OF EVERY MILWAUKEE PRODUCT. IF YOU DO NOT AGREE TO THIS CONDITION, YOU SHOULD NOT PURCHASE THE PRODUCT. IN NO EVENT SHALL MILWAUKEE BE LIABLE FOR ANY INCIDENTAL, SPECIAL, CONSEQUENTIAL OR PUNITIVE DAMAGES, OR FOR ANY COSTS, ATTORNEY FEES, EXPENSES, LOSSES OR DELAYS ALLEGED TO BE AS A CONSEQUENCE OF ANY DAMAGE TO, FAILURE OF, OR DEFECT IN ANY PRODUCT INCLUDING, BUT NOT LIMITED TO, ANY CLAIMS FOR LOSS OF PROFITS. SOME STATES DO NOT ALLOW THE EXCLUSION OR LIMITATION OF INCIDENTAL OR CONSEQUENTIAL DAMAGES, SO THE ABOVE LIMITATION OR EXCLUSION MAY NOT APPLY TO YOU. THIS WARRANTY IS EXCLUSIVE AND IN LIEU OF ALL OTHER EXPRESS WARRANTIES, WRITTEN OR ORAL, TO THE EXTENT PERMITTED BY LAW. MILWAUKEE DISCLAIMS ANY IMPLIED WARRANTIES, INCLUDING WITHOUT LIMITATION ANY IMPLIED WARRANTY OF MERCHANTABILITY OR FITNESS FOR A PARTICULAR USE OR PURPOSE; TO THE EXTENT SUCH DISCLAIMER IS NOT PERMITTED BY LAW, SUCH IMPLIED WARRANTIES ARE LIMITED TO THE DURATION OF THE APPLICABLE EXPRESS WARRANTY AS DESCRIBED ABOVE. SOME STATES DO NOT ALLOW LIMITATIONS ON HOW LONG AN IMPLIED WARRANTY LASTS. SO THE ABOVE LIMITATION MAY NOT APPLY TO YOU. THIS WARRANTY GIVES YOU SPECIFIC LEGAL RIGHTS, AND YOU MAY ALSO HAVE OTHER RIGHTS WHICH VARY FROM STATE TO STATE.

This warranty applies to product sold in the U.S.A. and Canada only. Please consult the 'Service Center Search' in the Parts & Service section of MILWAUKEE's website [www.milwaukeeetool.com](http://www.milwaukeeetool.com) or call 1.800.SAWDUST (1.800.729.3878) to locate your nearest service facility for warranty and non-warranty service on a MILWAUKEE Battery Pack.

## CONSIGNES DE SÉCURITÉ IMPORTANTES

**⚠️ AVERTISSEMENT** Lire toutes les consignes de sécurité, consignes, illustrations et spécifications fournies avec cet outil électrique. Ne pas suivre l'ensemble des règles et instructions peut entraîner une électrocution, un incendie ou des blessures graves. **Conserver les règles et les instructions à des fins de référence ultérieure.**

## SÉCURITÉ DU LIEU DE TRAVAIL

- Pour réduire les risques de blessures, porter une attention particulière lorsque le produit est utilisé en présence d'enfants.
- Entreposer la lumière par projection non utilisé hors de la portée des enfants. Les lumières chauds peuvent être dangereux dans les mains des enfants.
- Ne pas exposer à la pluie. Magasin à l'intérieur.

## SÉCURITÉ ÉLECTRIQUE

- Les fiches des outils électriques doivent correspondre à la prise secteur utilisée. Ne jamais modifier la fiche, de quelque façon que ce soit. Ne jamais utiliser d'adaptateurs de fiche avec des outils mis à la terre. Les fiches et prises non modifiées réduisent le risque de choc électrique.
- Éviter tout contact avec des surfaces mises à la terre comme des tuyaux, des radiateurs, des cuisinières et des réfrigérateurs. Le risque de choc électrique est accru lorsque le corps est mis à la terre.



# UTILISATION ET ENTRETIEN DE LA BATTERIE

- **Pour réduire le risque de choc électrique, ne pas submerger la lampe dans l'eau ou tout autre liquide.** Ne pas placer ni entreposer l'appareil dans un endroit où il peut tomber ou être tiré dans un évier ou une baignoire.
- **Ne pas maltraiter le cordon d'alimentation. Ne jamais utiliser le cordon d'alimentation pour transporter l'outil électrique et ne jamais débrancher ce dernier en tirant sur le cordon. Garder le cordon à l'écart de la chaleur, de l'huile, des objets tranchants et des pièces en mouvement.** Un cordon endommagé ou emmêlé accroît le risque de choc électrique.
- **Disposer les cordons avec soin pour ne pas créer un environnement dangereux.** Trébucher ou s'accrocher aux cordons peut causer une blessure et endommager le produit. Ne pas acheminer les cordons sur des flaques d'eau ou sur un sol humide.
- **Ne pas débrancher l'appareil en tirant sur le cordon.** Pour débrancher, tirer plutôt sur la fiche et non sur le cordon.
- **Débrancher l'appareil lorsque celui-ci n'est pas utilisé et avant de procéder à son entretien ou à son nettoyage.**
- **Toujours utiliser une rallonge adéquate pour réduire le risque de choc électrique.**
- **Lors de l'utilisation d'un dispositif d'éclairage à l'extérieur, utiliser un cordon prolongateur spécialement conçu à cet effet.** L'utilisation d'un cordon idéale pour l'utiliser à l'extérieur minimise le risque de choc électrique.
- **Si l'utilisation d'un outil électrique est inévitable dans un endroit humide, utiliser une source d'alimentation munie d'un disjoncteur de fuite de terre.** L'utilisation d'un disjoncteur de fuite de terre réduit le risque de choc électrique.

## SÉCURITÉ INDIVIDUELLE

- **Ne pas travailler hors de portée. Toujours se tenir bien campé et en équilibre.** Une bonne stabilité procure un meilleur contrôle de l'outil électrique en cas d'imprévu.
- **Ne pas utiliser l'outil sur une échelle ou un support instable.** L'utilisation d'un support stable sur une surface ferme permet de mieux contrôler l'outil en cas de situation imprévue.
- **Ne pas regarder la source de lumière de fonctionnement.**
- **Afin de minimiser le risque d'incendie et de brûlures, tenir les mains et les matériaux combustibles à l'écart des lentilles.** Les lentilles pourront devenir chaudes après une longue période d'activité.
- **Empêcher les démarrages accidentels. S'assurer que la gâchette est en position d'arrêt avant de brancher l'outil à la batterie, de le ramasser ou de le transporter.** Le fait de transporter l'outil en gardant le doigt sur la gâchette ou de mettre sous tension un outil lorsque la gâchette est en position de marche favorise les accidents.

- **Pour recharger le bloc-piles, utiliser seulement le chargeur spécifié par le fabricant.** Un chargeur pouvant convenir à un type de bloc-piles peut entraîner un risque d'incendie lorsqu'il est utilisé avec un autre type de bloc-piles.
- **N'utiliser la lumière qu'avec une batterie recommandée.** L'utilisation de tout autre bloc-piles peut créer un risque de blessures et d'incendie.
- **Débrancher le bloc-piles de l'appareil avant d'entreprendre tout réglage, de changer les accessoires ou d'entreposer l'appareil même.** De telles mesures préventives de sécurité minimisent le risque de démarrage accidentel de l'appareil.
- **Lorsque le bloc-piles n'est pas utilisé, le tenir éloigné des objets en métal tels que les trombones, les pièces de monnaie, les clés, les clous, les vis ou d'autres petits objets métalliques qui pourraient connecter les bornes.** Le court-circuitage des bornes d'une pile peut entraîner des brûlures ou un incendie.
- **Ne pas court-circuiter.** Un bloc-piles court-circuité pourra mener un incendie, des blessures physiques et endommager le produit. Un bloc-piles court-circuitera si un objet métallique établit une connexion entre les contacts positif et négatif du bloc-piles. Mettre le bloc-piles à l'écart de tout ce qui pourra causer un court-circuit, tel que des pièces de monnaie, des clés ou des clous dans votre poche.
- **Ne pas laisser les fluides entrer dans le bloc-piles.** Les fluides corrosifs et conducteurs, tels que l'eau de mer, quelques produits chimiques industriels et solutions d'eau de Javel ou d'autres produits ayant de l'hypochlorite, etc., pourront provoquer des courts-circuits.
- **Éviter tout contact avec le liquide pouvant être éjecté de la pile en cas de manutention abusive. En cas de contact accidentel, rincer immédiatement les parties atteintes avec de l'eau. Si le liquide entre en contact avec les yeux, consulter un médecin.** Le liquide éjecté des piles peut causer des irritations ou des brûlures.
- **N'utiliser aucun bloc-piles ni aucun outil ayant été endommagé ou modifié.** Des piles endommagées ou modifiées peuvent adopter un comportement imprévisible pouvant causer un incendie, une explosion ou le risque de blessures.
- **Ne pas exposer le bloc-piles ou l'outil aux flammes ou à une température excessive.** Une exposition aux flammes ou à une température supérieure à 130°C (265°F) peut causer une explosion.
- **Suivre toutes les instructions de charge et ne pas charger le bloc-piles ou l'outil en dehors de la plage de température spécifiée.** Une charge incorrecte ou à des températures en dehors de la plage spécifiée peut endommager la pile et augmenter le risque d'incendie.

# UTILISATION ET ENTRETIEN DU CHARGEUR

- **Mise en garde - pour réduire le risque de blessure, charger les blocs au Lithium-Ion MILWAUKEE uniquement dans leur chargeur au Lithium-Ion MILWAUKEE.** Les chargeurs d'autres types peuvent causer des dommages ou des blessures. Le bloc-piles et le chargeur ne sont pas compatibles avec la technologie V™ ni les systèmes NiCd. Ne pas relier un bloc-piles à une prise secteur ou un allume-cigare. Les blocs-piles seront constamment désactivés ou endommagés.
- **Charger uniquement les blocs-piles au Lithium-Ion M18™ MILWAUKEE.** Les piles d'autres types peuvent exploser et causer des dommages et blessures.
- **Éviter les environnements dangereux.** Ne pas charger le bloc-piles sous la pluie, la neige, dans un endroit humide ou mouillé. Ne pas utiliser le bloc-piles ou le chargeur dans un endroit propice aux explosifs (fumées gazeuses, poussières ou matériaux inflammables) car l'insertion ou le retrait du bloc-piles pourrait alors créer des étincelles, ce qui risque de causer un incendie.
- **Charger dans un endroit bien ventilé.** Ne pas fumer ou utiliser des flammes nues à proximité d'un bloc-piles en charge. Les gaz à évacuation peuvent exploser.
- **Maintenir le cordon du chargeur.** Pendant le débranchement du chargeur, tirer sur la fiche plutôt que sur le cordon pour réduire le risque de dommage de la prise ou du cordon électrique. Ne jamais transporter le chargeur par son cordon. Garder le cordon à l'écart de la chaleur, de l'huile et des objets tranchants. S'assurer que le cordon n'est pas piétiné, accroché, endommagé ou maltraité. Ne pas utiliser le chargeur si le cordon ou la fiche est endommagé(e). Remplacer immédiatement le chargeur endommagé.
- **Utiliser exclusivement les accessoires recommandés.** L'utilisation d'un accessoire non recommandé ou vendu par le fabricant du chargeur ou du bloc-piles peut causer un risque d'incendie, de choc électrique ou de blessure.
- **Débrancher le chargeur** lorsqu'il n'est pas utilisé. Retirer les blocs-piles des chargeurs débranchés.
- **Pour réduire le risque de choc électrique, toujours débrancher le chargeur avant de procéder à un nettoyage ou un entretien.** Utiliser un disjoncteur différentiel pour réduire les risques de choc électrique.
- **Entreposer votre bloc-piles et chargeur** dans un endroit frais et sec. Ne pas entreposer le bloc-piles dans des endroits où la température peut dépasser 50 °C (120 °F), par exemple, un endroit exposé directement à la lumière du soleil, un véhicule ou une construction en métal pendant l'été.

# ENTRETIEN

- **Les réparations de la lumière doivent être confiées à un technicien qualifié, utilisant exclusivement des pièces identiques à celles d'origine.** Le maintien de la sûreté de l'outil électrique sera ainsi assuré.
- **Ne jamais effectuer la réparation d'un bloc-piles endommagé.** La réparation du bloc-piles doit être réalisée par le fabricant ou les fournisseurs de service agréés uniquement.

# RÈGLES DE SÉCURITÉ SPÉCIFIQUES POUR LUMIÈRES

- **Avertissement – La lentille devient très chaude pendant l'utilisation.** Pour réduire les risques de brûlures, ne pas toucher la lentille chaude.
- **Toujours faire preuve de bons sens et procéder avec prudence lors de l'utilisation d'outils.** C'est impossible de prévoir toutes les situations dont le résultat est dangereux. Ne pas utiliser cet outil si vous ne comprenez pas ces instructions d'opération ou si vous pensez que le travail dépasse votre capacité ; veuillez contacter Milwaukee Tool ou un professionnel formé pour recevoir plus d'information ou formation.
- **Maintenir en l'état les étiquettes et les plaques d'identification.** Des informations importantes y figurent. Si elles sont illisibles ou manquantes, contacter un centre de services et d'entretien MILWAUKEE pour un remplacement gratuit.

# CONSERVER CES INSTRUCTIONS

# MISE A LA TERRE

**⚠ AVERTISSEMENT** Si le fil de mise à la terre est incorrectement raccordé, il peut en résulter des risques de choc électrique. Si vous n'êtes pas certain que la prise dont vous servez est correctement mise à la terre, faites-la vérifier par un électricien. N'altérez pas la fiche du cordon de l'outil. N'enlevez pas de la fiche, la dent qui sert à la mise à la terre. N'employez pas l'outil si le cordon ou la fiche sont en mauvais état. Si tel est le cas, faites-les réparer dans un centre-service MILWAUKEE accrédité avant de vous en servir. Si la fiche du cordon ne s'adapte pas à la prise, faites remplacer la prise par un électricien.

**Outils mis à la terre (Trois fiches à broches)**  
Les outils marqués « Mise à la terre requise » sont pourvus d'un cordon à trois fils dont la fiche a trois dents. La fiche du cordon doit être branchée sur une prise correctement mise à la terre (voir Figure A). De cette façon, si une défautuosité dans le circuit électrique de l'outil survient, le relais à la terre fournira un conducteur à faible résistance pour décharger le courant et protéger l'utilisateur contre les risques de choc électrique.

La dent de mise à la terre de la fiche est reliée au système de mise à la terre de l'outil via le fil vert du cordon. Le fil vert du cordon doit être le seul fil raccordé à un bout au système de mise à la terre de l'outil et son autre extrémité ne doit jamais être raccordée à une borne sous tension électrique.

Votre outil doit être branché sur une prise appropriée, correctement installée et mise à la terre conformément aux codes et ordonnances en vigueur. La fiche du cordon et la prise de courant doivent être semblables à celles de la Figure A.

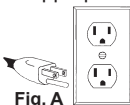


Fig. A

## Outils à double isolation (Deux fiches à broches)

Les outils marqués « Double Isolation » n'ont pas besoin d'être raccordés à la terre. Ils sont pourvus d'une double isolation conforme aux exigences de l'OSHA et satisfait aux normes de l'Underwriters Laboratories, Inc., de l'Association canadienne de normalisation (ACNOR) et du « National Electrical Code » (code national de l'électricité). Les outils à double isolation peuvent être branchés sur n'importe laquelle des prises à 120 volt illustrées ci-contre Figure B et C.

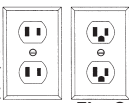


Fig. B Fig. C

## CORDONS DE RALLONGE

Si l'emploi d'un cordon de rallonge est nécessaire, un cordon à trois fils doit être employé pour les outils mis à la terre. Pour les outils à double isolation, on peut employer indifféremment un cordon de rallonge à deux ou trois fils. Plus la longueur du cordon entre l'outil et la prise de courant est grande, plus le calibre du cordon doit être élevé. L'utilisation d'un cordon de rallonge incorrectement calibré entraîne une chute de voltage résultant en une perte de puissance qui risque de détériorer l'outil. Reportez-vous au tableau ci-contre pour déterminer le calibre minimum du cordon. Moins le calibre du fil est élevé, plus sa conductivité est bonne. Par exemple, un cordon de calibre 14 a une meilleure conductivité qu'un cordon de calibre 16. Lorsque vous utilisez plus d'une rallonge pour couvrir la distance, assurez-vous que chaque cordon possède le calibre minimum requis. Si vous utilisez un seul cordon pour brancher plusieurs outils, additionnez le chiffre d'intensité (ampères) inscrit sur la fiche signalétique de chaque outil pour obtenir le calibre minimal requis pour le cordon.

### Directives pour l'emploi des cordons de rallonge

- Si vous utilisez une rallonge à l'extérieur, assurez-vous qu'elle est marquée des sigles « W » indiquant qu'elle est adéquate pour usage extérieur.
- Assurez-vous que le cordon de rallonge est correctement câblé et en bonne condition. Remplacez tout cordon de rallonge détérioré ou faites-le remettre en état par une personne compétente avant de vous en servir.
- Tenez votre cordon de rallonge à l'écart des objets rancissants, des sources de grande chaleur et des endroits humides ou mouillés.

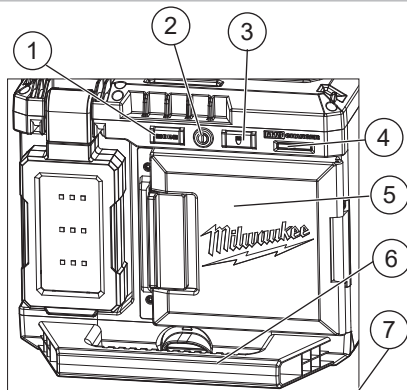
### Calibres minimaux recommandés pour les cordons de rallonge\*

Fiche signalétique Ampères	Longueur du cordon de rallonge (m)				
	7,6	15,2	22,9	30,5	45,7
0 - 2,0	18	18	18	18	16
2,1 - 3,4	18	18	18	16	14
3,5 - 5,0	18	18	16	14	12
5,1 - 7,0	18	16	14	12	12
7,1 - 12,0	16	14	12	10	--
12,1 - 16,0	14	12	10	--	--
16,1 - 20,0	12	10	--	--	--

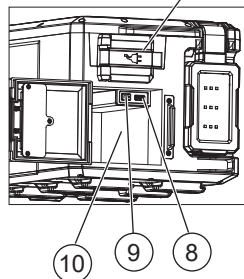
\*Basé sur sur une chute de voltage limite de 5 volts à 150% de l'intensité moyenne de courant.

**LISEZ ATTENTIVEMENT CES INSTRUCTIONS ET CONSERVEZ-LES POUR LES CONSULTER AU BESOIN.**

## DESCRIPTION FONCTIONNELLE



1. Bouton « MODE »
2. Bouton d'alimentation
3. Bouton de luminosité
4. Témoins de chargeur
5. Compartiment des piles
6. Poignée
7. Entrée CA
8. Prise d'alimentation USB
9. Bouton d'alimentation USB
10. Compartiment de rangement



## PICTOGRAPHIE

V Volts

Courant direct

Courant alternatif

A Ampères

Hz Hertz

Ne pas regarder la source de lumière de fonctionnement.

Double isolation

Ne pas marcher ni se tenir debout de cette pièce d'équipement.

Puissance CA

Bus universel en série (USB)

Bouton d'alimentation USB

UL Listing Mark pour Canada et États-unis

# SPÉCIFICATIONS

No de Cat.....	2357-20
Tension d'entrée CD.....	18
Tension de sortie CD.....	18
Ampérage de sortie CC.....	3,5
Tension d'entrée CA.....	120
Ampérage de sortie CD.....	3,2
Tension de sortie USB.....	5
Ampérage de sortie USB.....	2,1
Température de fonctionnement	
Pile et chargeur.....	0°C à 65°C (32°F à 150°F)
Pile et outil.....	-20°C à 40°C (-4°F à 104°F)
Batterie au Li-Ion de M18™.....	18 V CD

# MONTAGE DE L'OUTIL

**AVERTISSEMENT** Ne recharger la batterie qu'avec le chargeur spécifié. Pour les instructions de charge spécifiques, lire le manuel d'utilisation fourni avec le chargeur et les batteries.

## Insertion/Retrait de la batterie

Pour retirer la batterie, enfoncer les boutons de déverrouillage et la tirer hors de l'outil.

**AVERTISSEMENT** Il faut toujours retirer la batterie et verrouiller la détente de l'outil avant de changer ou d'enlever les accessoires.

Pour insérer la batterie, la glisser dans le corps de l'outil. S'assurer qu'elle est fixée solidement.

**AVERTISSEMENT** L'emploi d'accessoires autres que ceux qui sont expressément recommandés pour cet outil peut comporter des risques.

## Insertion/Retrait de la rallonge

Lorsque l'option CA n'est pas utilisée, s'assurer de fermer complètement les portes CA.

Pour un fonctionnement sur une alimentation CA, étendre et verrouiller les pattes. Ouvrir la porte et brancher une rallonge adéquate à la lampe. Pour débrancher la rallonge, appuyer sur le bouton d'alimentation pour éteindre la lampe, ensuite retirer la rallonge de la prise.

**REMARQUE:** Une fois que la rallonge est branchée à la lampe, celle-ci fonctionne automatiquement au courant alternatif CA.

# MANIEMENT

**PRÉCAUTION** Pour réduire les risques de blessure, ne pas regarder la source de lumière de fonctionnement.

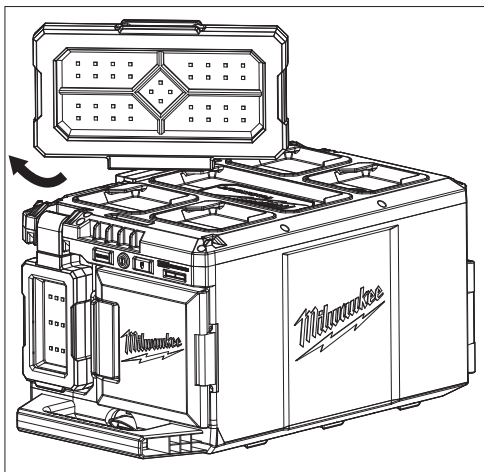
## Utilisation des lumières

1. Insérer le bloc-piles ou brancher à une alimentation CA.
2. Appuyer sur le bouton d'alimentation pour allumer la lumière.
3. Appuyer sur le bouton de luminosité pour faire défiler entre Haut, Moyen et Faible luminosité.
4. Appuyer sur le bouton « MODE » pour choisir entre les fonctions d'éclairage totale, de lumière principale ou les lumières avant/arrière.
5. Appuyer sur le bouton d'alimentation pour éteindre la lampe. Toujours arrêter l'alimentation électrique avant de débrancher la lampe.

**REMARQUE:** La lampe retournera au paramètre de luminosité et d'aire sélectionné la prochaine fois qu'elle est allumée. Utilisant une batterie en tant que source d'alimentation, la lumière clignotera pour vous laisser savoir que la batterie est presque épuisée.

## Rotation des lumières

Pour tourner la lumière principale, tirer sur la lumière vers l'extérieur et la faire tourner de jusqu'à 210° à gauche ou bien, de 95° à droite. Pour tourner les lumières avant et arrière, tirer sur les lumières vers l'extérieur et les faire tourner de jusqu'à 30° à gauche ou bien, de 300° à droite.



## Prise d'alimentation USB

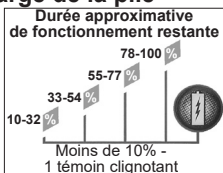
Il est possible d'utiliser cette prise pour charger un téléphone cellulaire, un lecteur MP3 ou bien, tout autre dispositif personnel utilisant moins de 2,1 A de courant électrique CD. Pour allumer ou éteindre l'USB, appuyer sur le bouton d'alimentation USB. Le port USB sera mis sous tension pour deux heures avant de se mettre automatiquement hors tension.

**REMARQUE:** Tout dispositif utilisant plus que 2,4 A de courant électrique CD activera une surcharge de remise à zéro et désactivera la puissance de sortie.

# FONCTIONNEMENT DE LA PILE

## Indicateur de charge de la pile

Utiliser l'indicateur de charge de la pile pour déterminer l'autonomie restante du bloc de piles. Appuyer sur le bouton de l'indicateur de charge de la pile pour afficher les témoins. L'indicateur de charge de la pile s'allume pendant 2 à 3 secondes. Un témoin sur l'indicateur de charge de la pile clignotera lentement s'il reste moins de 10 % de la charge.



**REMARQUE:** Si l'indicateur de charge de la pile ne semble pas fonctionner, placer le bloc de piles sur le chargeur et le charger, au besoin.

Contrairement aux blocs de piles au nickel-cadmium, les blocs-piles au lithium-ion MILWAUKEE offrent une puissance constante tout au long de leur durée d'utilisation. L'outil ne montrera aucune perte de puissance lente et graduelle pendant le travail. Un témoin sur l'indicateur de charge de la pile clignotera rapidement pendant 2 à 3 secondes si la pile est vide; l'outil cessera de fonctionner. Charger le bloc de piles.

**REMARQUE:** Immédiatement après utilisation du bloc de piles, l'indicateur de charge de la pile peut afficher une charge inférieure qu'il ne le ferait quelques minutes plus tard. Les éléments de la pile « récupèrent » une partie de leur charge après une période de repos.

## Protection du bloc de piles

Pour protéger le bloc de piles et prolonger sa durée de vie, le circuit intelligent du bloc de piles surveille les appels de courant et la température. En cas de couple extrêmement élevé, de coincement, de calage et de courts-circuits, le bloc de piles mettra l'outil HORS TENSION si l'appel de courant est trop élevé. Tous les témoins de l'indicateur de charge de la pile clignoteront. Relâcher la gâchette et redémarrer l'outil.

Dans des conditions extrêmes, la température interne de la pile peut devenir excessive. Si cela se produit, les témoins de l'indicateur de charge de la pile clignoteront en alternance et l'outil cessera de fonctionner. Laisser la pile refroidir.

Témoins de l'indicateur de charge de la pile	Diagnostic	Solution
Témoins 1 à 4 – allumés	Autonomie restante	Poursuivre le travail
1 témoin – clignote lentement	Moins de 10 % d'autonomie restante	Se préparer à charger le bloc de piles
1 témoin – clignote rapidement	Fin de la décharge	Charger le bloc de piles
Témoins 1 à 4 – clignotent rapidement	Appel de courant trop élevé	Relâcher la gâchette et redémarrer, réduire la pression
Témoins 1 et 3 ou 2 et 4 – clignotent en alternance	Température de la pile trop élevée	Relâcher la gâchette et laisser la pile refroidir

## Fonctionnement par temps froid

Le bloc de batteries au lithium-ion de MILWAUKEE de M18 sont conçus pour fonctionner à des températures inférieures au point de congélation. Lorsque le bloc des batteries est très froid, mettre le bloc des batteries sur l'outil et utiliser celui-ci pour une utilisation légère. Une alarme sonore peut se faire entendre pendant un court instant jusqu'à ce qu'il se réchauffe. Lorsque l'alarme s'arrête, utiliser l'outil normalement.

## Entretien et remisage de la batterie

Ne pas exposer la batterie ou les outils sans fils à l'eau ou à la pluie ou les laisser se mouiller. Ceci endommage l'outil et la batterie. Ne pas utiliser d'huile ou de solvant pour nettoyer ou graisser la batterie. Le boîtier en plastique peut se fendre ou se casser et créer un risque de blessures.

Remiser les batteries à température ambiante et à l'abri de l'humidité. Ne pas les remiser dans des endroits humides où une corrosion des bornes peut avoir lieu. Comme avec les autres types de batterie, une perte permanente de capacité peut être causée si la batterie est remise pendant une longue durée à de hautes températures (plus de 50°C (120°F)). Les batteries lithium-ion MILWAUKEE maintiennent leur charge lors du remisage plus longtemps que les autres types de batterie. Après environ six mois de remisage, charger normalement la batterie.

## Transport

Le transport personnel des blocs-piles au Lithium-Ion est uniquement permis conformément à ces instructions et avertissements. La classification appropriée, l'emballage, l'étiquetage, le marquage, et les exigences en matière de documentation pour l'expédition de piles au lithium-ion dépendent des piles spécifiques et de leur puissance nominale qui peut être supérieure ou inférieure à 100 Wh. De manière générale, les exigences relatives à la classe 9 DG « prévoient » l'utilisation de piles au lithium-ion dont la puissance nominale est égale ou inférieure à 100 Wh. Toujours vérifier la conformité de l'envoi des piles au lithium-ion avec les règlements en vigueur régissant le mode de transport choisi. En cas de doute, contacter le transporteur ou d'autres professionnels formés pour le transport de marchandises dangereuses afin de confirmer l'admissibilité. Les blocs-piles au Lithium-Ion sont expédiés sous la classification UN 3480 (pile uniquement) ou UN 3481 (piles contenues ou emballées avec l'équipement).

**⚠️ AVERTISSEMENT** Afin de réduire le risque de blessure ou d'explosion, ne jamais brûler ou incinérer une batterie même si elle est endommagée, morte ou complètement déchargée. La combustion d'une batterie libère des fumées et des substances toxiques dans l'atmosphère.

## Mise au rebut des batteries au lithium-ion

Les batteries au lithium-ion MILWAUKEE présentent moins de risques pour l'environnement que d'autres types de batterie (nickel-cadmium par ex.). Éliminer les batteries conformément aux règlements fédéraux/nationaux, provinciaux/d'états et locaux. Contacter l'agence de recyclage locale pour l'adresse des centres de recyclage locaux.

Les batteries déchargées contiennent du courant résiduel. Avant de mettre une batterie au rebut, couvrir les bornes de la batterie avec du ruban isolant afin d'empêcher un court-circuit pouvant causer un incendie ou une explosion.

## Sceaux de recyclage pour pile RBRC

Les sceaux de recyclage pour piles RBRC™ (voir la « Pictographie ») sur la pile de votre outil, indiquent que MILWAUKEE a pris des dispositions avec Rechargeable Battery Recycling Corporation (RBRC) pour le recyclage de ce bloc de piles. Lorsque la vie utile de ce bloc de pile est épuisée, retournez-le à une succursale ou à un centre de service MILWAUKEE, ou au détaillant participant le plus près de chez vous. Pour obtenir plus d'informations, visitez le site Web RBRC au [www.rbrc.org](http://www.rbrc.org).

# FONCTIONNEMENT DU CHARGEUR

**⚠ AVERTISSEMENT** Charger uniquement les batteries Lithium-Ion MILWAUKEE M18™ dans l'ensemble chargeur Lithium-Ion MILWAUKEE M18™. Les batteries d'autres types peuvent causer des dommages et des blessures.

### Quand charger la batterie

Retirer la batterie de l'outil pour la charger quand cela est pratique pour l'utilisateur et le travail. Les batteries au lithium-ion MILWAUKEE ne développent pas de « mémoire » lorsqu'elles sont chargées uniquement après une décharge partielle. Il n'est pas nécessaire de décharger la batterie avant de la mettre sur le chargeur.

- Utiliser l'indicateur de niveau d'énergie (sur l'outil ou la batterie) pour déterminer quand charger la batterie lithium-ion MILWAUKEE.
- Il est possible de compléter la charge de la batterie avant de commencer un important travail ou une longue journée d'utilisation.
- Il n'est nécessaire de charger la batterie au lithium-ion MILWAUKEE que lorsqu'elle a atteint la fin de sa charge. Pour signaler la fin de la charge, l'alimentation vers l'outil baisse rapidement, laissant à l'utilisateur juste assez de puissance pour terminer une coupe, percer un trou ou enfoncer un dispositif de fixation. Charger la batterie selon le besoin.

### Comment charger la batterie

Brancher la lampe dans une prise de 120 V. Les blocs-piles ne se chargeront pas si le chargeur de la lampe sur pied n'est pas branché. Aligner le bloc-piles avec le compartiment en le faisant glisser dans le chargeur.

- Lorsqu'un bloc-piles est inséré dans le chargeur, les voyants à DEL indiquent ce qui suit :



Rouge fixe : Charge



Vert fixe : Chargement terminé



Rouge clignotant : Pile trop chaude/froide  
Le chargement commence lorsque la pile atteint la bonne température de charge



Rouge/Vert clignotant : bloc-piles endommagé ou défectueux

- Une batterie complètement déchargée, avec une température interne de plage normale, se charge en 30-185 minutes, selon la batterie.
- En service sévère, les batteries peuvent nécessiter plus de temps pour se recharger.

- Les voyants de l'indicateur de charge sur les blocs de batteries 18 V s'allument pendant le chargement du bloc pour en indiquer la progression. Le voyant de charge s'éteint une fois le chargement terminé.
- Une fois la charge terminée, le témoin vert continu s'allume.
- Le chargeur maintient la batterie complètement chargée si elle est laissée dessus. Le témoin clignotera en vert pendant ce chargement d'entretien.
- Quand le témoin lumineux est voyant rouge clignotant doucement, la charge commence une fois le premier bloc entièrement chargé.
- Si le voyant clignote rouge et vert, vérifier que la batterie est bien installée dans la baie. Retirer la batterie puis la réinsérer. Si le voyant continue à clignoter rouge et vert, c'est que la batterie peut être extrêmement chaude ou froide, ou mouillée. Laisser la batterie refroidir, se chauffer ou sécher puis la réinsérer. Si le problème persiste, contacter le service MILWAUKEE.

### État de charge au Lithium-ion

Température du bloc de piles	Témoin rouge de l'indicateur du chargeur	État de charge
Trop chaude	Clignotant	Pas de charge
Température correcte	Continu	Charge normale
Trop froide	Clignotant	Pas de charge

# ENTRETIEN

**⚠ AVERTISSEMENT** Pour minimiser les risques de blessures corporelles, débranchez le chargeur et retirez la batterie du chargeur ou de l'outil avant d'y effectuer des travaux d'entretien. Ne démontez jamais l'outil, la batterie ou le chargeur. Pour toute réparation, consultez un centre de service MILWAUKEE agréé.

Pour réduire le risque d'incendie, de blessures corporelles et de dommages causés par un court-circuit, ne jamais immerger l'outil, le bloc-piles ou le chargeur dans un liquide ou laisser couler un fluide à l'intérieur de celui-ci. Les fluides corrosifs ou conducteurs, tels que l'eau de mer, certains produits chimiques industriels, les produits de blanchiment ou de blanchiment, etc., peuvent provoquer un court-circuit.

### Entretien de l'éclairage par projection

Garder l'éclairage par projection, le bloc-piles et le chargeur en bon état en le soumettant à un programme d'entretien régulier. Si l'éclairage par projection ne fonctionne toujours pas correctement, le confier à un centre de service MILWAUKEE afin de le faire réparer.

**⚠ AVERTISSEMENT** Pour minimiser les risques de blessures ou de dommages à l'outil, n'immergez jamais l'outil, la batterie ou le chargeur et ne laissez pas de liquide s'y infiltrer.

### Nettoyage

Débarrassez les événements des débris et de la poussière. Gardez les poignées propres, à sec et exemptes d'huile ou de graisse. Le nettoyage doit se faire avec un linge humide et un savon doux. Certains nettoyants tels l'essence, la térébenthine, les diluants à laque ou à peinture, les solvants chlorés,

l'ammoniaque et les détergents d'usage domestique qui en contiennent pourraient détériorer le plastique et l'isolation des pièces. Ne laissez jamais de solvants inflammables ou combustibles auprès des outils.

## Réparations

Pour les réparations, retournez outil, batterie et chargeur en entier au centre-service autorisé le plus près.

# ACCESSOIRES

**AVERTISSEMENT** L'utilisation d'autres accessoires que ceux qui sont spécifiquement recommandés pour cet outil peut comporter des risques.

Pour une liste complète des accessoires, visiter le site internet [www.milwaukeetool.com](http://www.milwaukeetool.com) ou contactez un distributeur.

## SERVICE - CANADA

**Milwaukee Tool (Canada) Ltd**

**1.800.268.4015**

Monday-Friday, 7:00 AM - 4:30 PM CST

[www.milwaukeetool.ca](http://www.milwaukeetool.ca)

## GARANTIE LIMITÉE - AUX ÉTATS-UNIS ET AU CANADA

Chaque outil électrique MILWAUKEE (voir exceptions ci-dessous) est garanti à l'acheteur d'origine uniquement pour être exempt de vices de matériaux et de fabrication. Sous réserve de certaines exceptions, MILWAUKEE réparera ou remplacera toute pièce d'un outil électrique qui, après examen par MILWAUKEE, s'est avérée être affectée d'un vice de matériau ou de fabrication et ce pendant une période de cinq (5) ans\*\* à compter de la date d'achat, sauf indication contraire. Retourner l'outil électrique à un centre de réparation en usine MILWAUKEE ou à un poste d'entretien agréé MILWAUKEE, en port prépayé et assuré. Une copie de la preuve d'achat doit être présentée lors du retour du produit. Cette garantie ne couvre pas les dommages que MILWAUKEE détermine être causés par des réparations ou des tentatives de réparation par quiconque autre que le personnel agréé par MILWAUKEE, ou par des utilisations incorrectes, des altérations, des utilisations abusives, une usure normale, une carence d'entretien ou des accidents.

Usure normale : Plusieurs outils électriques requièrent un remplacement et un entretien périodique de leurs pièces pour un meilleur rendement. Cette garantie ne couvre pas la réparation des pièces due à l'utilisation normale de l'outil, y compris, mais sans s'y limiter, les mandrins, les brosses, les cordes, les sabots de scie, les portelames, les joints toriques, les joints, les amortisseurs, les lames d'entraînement, les pistons, les perceurs, les crochets et les rondelles à couvercle amortisseur.

\*Cette garantie ne s'applique pas aux cloueuses-agrafeuses pneumatiques, aux pulvérisateurs à peinture sans air, aux blocs-piles pour outils sans fil, aux génératrices d'alimentation portatives à essence, aux outils à main, aux monte-charge – électriques, à levier et à chaîne, aux vestes chauffantes M12™, aux produits ré-usinés, ni aux produits d'essai et de mesure. Il existe des garanties séparées distinctes pour ces produits.

\*\*La période de garantie applicable pour les radios de chantier, le port d'alimentation M12™, la source électrique M18™, le ventilateur de chantier et les chariots de travail industriels Trade Titan™ est d'une durée d'un (1) an à compter de la date d'achat. La période de garantie pour les M18 FUEL™ 1" chocs à couple élevé à poignée en « D », câbles de nettoyage des drains, les accessoires de pistolet à air de vidange AIRSNAKE™ et les niveaux laser USB REDLITHIUM® est de deux (2) ans à compter de la date d'achat. La période de garantie pour le pistolet thermique compact M18™, Dépoussiéreur de 8 gallons, M18™ cloueuses à ossature, M18 FUEL™ 1/2" clé à chocs de enclume prolongé, couple contrôlé avec ONE-KEY™, M18 FUEL™ 1" clé à chocs de couple élevé avec ONE-KEY™ et M18 FUEL™ compresseur silencieux compact de 7.6 L, et les niveaux laser M12™ est de trois (3) ans à compter de la date d'achat. La période de garantie couvrant la DEL de la lampe de travail à DEL et l'ampoule améliorée à DEL de la lampe de travail est une garantie à vie du produit soumise aux limitations ci-dessus. En cas de défaillance de la DEL ou de l'ampoule à DEL pendant son utilisation normale, la pièce défaillante sera remplacée gratuitement.

L'enregistrement de la garantie n'est pas nécessaire pour bénéficier de la garantie en vigueur sur un outil électrique MILWAUKEE. La date de fabrication du produit servira à établir la période de garantie, si aucune preuve d'achat n'est fournie lorsqu'une demande de service sous garantie est déposée.

L'ACCEPTATION DES RECOURS EXCLUSIFS DE RÉPARATION ET DE REMPLACEMENT DÉCRITS DANS LES PRÉSENTES EST UNE CONDITION DU CONTRAT D'ACHAT DE TOUT PRODUIT MILWAUKEE. SI VOUS N'ACCEPTÉZ PAS CETTE CONDITION, VOUS NE DEVEZ PAS ACHETER LE PRODUIT. EN AUCUN CAS, MILWAUKEE NE SAURAIT ÊTRE RESPONSABLE DE TOUT DOMMAGE ACCESSOIRE, SPÉCIAL OU INDIRECT, DE DOMMAGES-INTÉRÊTS PUNITIFS OU DE TOUTE DÉPENSE, D'HONORAIRES D'AVOCAT, DE FRAIS, DE PERTE OU DE DÉLAIS ACCESSOIRES À TOUT DOMMAGE, DÉFAILLANCE OU DÉFAUT DE TOUT PRODUIT, Y COMPRIS NOTAMMENT LES PERTES DE PROFIT. CERTAINS ÉTATS ET PROVINCES NE PERMETTANT L'EXCLUSION OU LA LIMITATION DES DOMMAGES DIRECTS OU INDIRECTS, LES RESTRICTIONS CI-DESSUS PEUVENT NE PAS VOUS ÊTRE APPLICABLES. CETTE GARANTIE EST EXCLUSIVE ET REMPLACE TOUTE AUTRE GARANTIE EXPRESSE, QU'ELLE SOIT VERBALE OU ÉCRITE. DANS LA MESURE PERMISE PAR LA LOI, MILWAUKEE RENONCE À TOUTE GARANTIE IMPLICITE, Y COMPRIS, MAIS SANS S'Y LIMITER, TOUTE GARANTIE IMPLICITE DE QUALITÉ MARCHANDE OU D'ADAPTATION À UNE UTILISATION OU À UNE FIN PARTICULIÈRE. DANS LA MESURE OU UNE TELLE STIPULATION D'EXONÉRATION N'EST PAS PERMISE PAR LA LOI, LA DURÉE DE CES GARANTIES IMPLICITES EST LIMITÉE À LA PÉRIODE APPLICABLE DE LA GARANTIE EXPRESSE, TEL QUE CELA EST DÉCRIT PRÉCÉDEMMENT. CERTAINS ÉTATS ET PROVINCES NE PERMETTANT PAS DE LIMITATION DE DURÉE DES GARANTIES IMPLICITES, LES RESTRICTIONS CI-DESSUS PEUVENT DONC NE PAS VOUS ÊTRE APPLICABLES. LA PRÉSENTE VOUS CONFÈRE DES DROITS LÉGAUX PARTICULIERS; VOUS BÉNÉFICIEZ ÉGALEMENT D'AUTRES DROITS QUI VARIENT D'UN ÉTAT À UN AUTRE.

Cette garantie s'applique aux produits vendus aux États-Unis et au Canada uniquement.

Veuillez consulter la rubrique Centre SAV Milwaukee, dans la section Pièces et Services du site Web de MILWAUKEE, à l'adresse [www.milwaukeetool.com](http://www.milwaukeetool.com), ou composer le 1-800-SAWDUST (1-800-729-3878) afin de trouver le centre de service de votre région le plus proche pour l'entretien, sous garantie ou non, de votre outil électrique Milwaukee.

## GARANTIE LIMITÉE - AUX ÉTATS-UNIS ET AU CANADA

Chaque bloc-piles MILWAUKEE (vendu avec les produits sans fil et/ou en guise de bloc-piles de remplacement) est garanti à l'acheteur d'origine exclusivement être exempt de vice de matériau et de fabrication. Sous réserve de certaines exceptions, MILWAUKEE réparera ou remplacera un bloc-piles qui, après examen, sera confirmé par MILWAUKEE être affecté d'un vice du matériau ou de fabrication pendant la période de garantie mentionnée après la date d'achat. Retourner le bloc piles à un centre de réparations en usine MILWAUKEE ou à un poste d'entretien agréé MILWAUKEE, en port prépayé et assuré. Pour la procédure d'expédition appropriée des blocs-piles, veuillez composer le 1.800.SAWDUST (1.800.729.3878), ou visitez le site Web [www.milwaukeetool.com](http://www.milwaukeetool.com). Une copie de la preuve d'achat devrait être jointe au produit retourné. Cette garantie ne couvre pas les dommages que MILWAUKEE détermine être causés par des réparations ou des tentatives de réparation par quiconque autre que le personnel agréé par MILWAUKEE, des utilisations incorrectes, des altérations, des utilisations abusives, une usure normale, une carence d'entretien ou des accidents.

Bloc-piles No de cat.	Composition chimique	Période de la garantie (à compter de la date d'achat)
48-12-1812 48-11-1828 (Préfix de numéro de série « B41E » et ultérieur)		
48-11-1840 48-11-1850 48-11-1860 48-11-1865 48-11-1880 48-11-1890 48-11-2402 48-11-2440 48-11-2460 48-11-2830 (Préfix de numéro de série « C71 »)	LITHIUM-ION	Trois (3) ans
48-11-0490 48-11-1815 48-11-1820 48-11-1835 48-11-2001 48-11-2401 48-11-2420 48-11-2430	LITHIUM-ION	Deux (2) ans

48-11-1828 (Préfix de numéro de série « B41D » et antérieur) 48-11-1830 (Préfix de numéro de série « A95 ») 48-11-2830 (Préfix de numéro de série « A71 »)	LITHIUM-ION	Deux (2) ans – garantie supplémentaire de proportionnalité Trois (3) ans*
48-11-0100 48-11-1024 48-11-1830 (Préfix de numéro de série « E95 ») 48-11-1970 48-11-2230	Nickel-Cadmium (Ni-Cd), nickel-métal-hydrure (Ni-MH), LITHIUM-ION	Un (1) an

\*La période de garantie des pièces 48-11-1828 M18™ (avec préfix de numéro de série « B41D » et antérieur), 48-11-1830 V18™ (avec préfix de numéro de série « A95 ») et 48-11-2830 V28™ (avec préfix de numéro de série « A71 ») de MILWAUKEE est de cinq (5) ans / 2 000 charges à compter de la date d'achat, selon la première échéance. La garantie couvre le remplacement gratuit de la batterie défectueuse, si cela aura lieu pendant les 1 000 premières charges ou les 2 premières années de la garantie, selon la première échéance. Cela signifie que pour les 1 000 premières charges, ou pendant les 2 premières années de la garantie à compter de la date d'achat ou de la première charge, une batterie de rechange sera remise tout à fait gratuitement à l'utilisateur si la batterie d'origine est défectueuse. Par la suite, la garantie couvrira les charges restantes, jusqu'à 2 000, ou les années restantes de la période de garantie de cinq (5) ans à compter de la date d'achat, selon la première échéance, et ce, au prorata. Cela signifie que chaque utilisateur bénéficie de 1 000 charges supplémentaires ou d'une garantie supplémentaire au prorata de trois (3) ans sur les blocs-piles, selon la durée d'utilisation. Les pièces 48-11-1828 M18™ (avec préfix de numéro de série « B41E » et ultérieur), 48-11-1830 V18™ (avec préfix de numéro de série « E95 ») et 48-11-2830 V28™ (avec préfix de numéro de série « C71 ») de MILWAUKEE ont une période de garantie différente, comme énumérée.

L'enregistrement de la garantie n'est pas nécessaire pour bénéficier de la garantie en vigueur sur un outil électrique MILWAUKEE. La date de fabrication du produit servira à établir la période de garantie si aucune preuve d'achat n'est fournie lorsqu'une demande de service sous garantie est présentée.

**L'ACCEPTATION DES RECOURS EXCLUSIFS DE RÉPARATION ET DE REMPLACEMENT DÉCRITS AUX PRÉSENTS EST UNE CONDITION DU CONTRAT D'ACHAT DE TOUT PRODUIT MILWAUKEE. SI VOUS N'ACCEPTÉZ PAS CETTE CONDITION, VOUS NE DEVEZ PAS ACHETER LE PRODUIT. EN AUCUN CAS MILWAUKEE NE SAURAIT ÊTRE RESPONSABLE DE TOUT DOMMAGE ACCESSOIRE, SPÉCIAL OU INDIRECT, DE DOMMAGES-INTÉRÊTS PUNITIFS OU DE TOUTE DÉPENSE, D'HONORAIRES D'AVOCATS, DE FRAIS, DE PERTE OU DE DÉLAIS ACCESSOIRES À TOUT DOMMAGE, DÉFAILLANCE OU DÉFAUT DE TOUT PRODUIT, Y COMPRIS NOTAMMENT LES PERTES DE PROFIT. CERTAINS ÉTATS ET PROVINCES NE PERMETTANT PAS L'EXCLUSION OU LA LIMITATION DES DOMMAGES DIRECTS OU INDIRECTS, LES RESTRICTIONS CI-DESSUS PEUVENT NE PAS ÊTRE APPLICABLES. CETTE GARANTIE EST EXCLUSIVE ET REMPLACE TOUTE AUTRE GARANTIE EXPRESSE, QU'ELLE SOIT ORALE OU ÉCRITE. DANS LA MESURE PERMISE PAR LA LOI, MILWAUKEE RENONCE À TOUTE GARANTIE IMPLICITE, Y COMPRIS, SANS S'Y LIMITER, TOUTE GARANTIE IMPLICITE DE QUALITÉ MARCHANDE OU D'ADAPTATION À UNE UTILISATION OU À UNE FIN PARTICULIÈRE. DANS LA MESURE OU UNE TELLE STIPULATION D'EXONÉRATION N'EST PAS PERMISE PAR LA LOI, LA DURÉE DE CES GARANTIES IMPLICITES EST LIMITÉE À LA PÉRIODE APPLICABLE DE LA GARANTIE EXPRESSE, TEL QUE DÉCRIT PRÉCÉDEMMENT. CERTAINS ÉTATS ET PROVINCES NE PERMETTANT PAS DE LIMITATION DE DURÉE DES GARANTIES IMPLICITES, LES RESTRICTIONS CI-DESSUS PEUVENT NE PAS ÊTRE APPLICABLES. LA PRÉSENTE CONFÈRE À L'UTILISATEUR DES DROITS LÉGAUX PARTICULIERS: IL BÉNÉFICIE ÉGALEMENT D'AUTRES DROITS QUI VARIENT D'UN ÉTAT À L'AUTRE.**

Cette garantie s'applique aux produits vendus aux États-Unis et au Canada uniquement.

Veillez consulter la rubrique Centre SAV MILWAUKEE, dans la section Pièces & Service du site Web de MILWAUKEE, à l'adresse [www.milwaukeeetool.com](http://www.milwaukeeetool.com), ou composer le 1-800-SAWDUST (1-800-729-3878) afin de trouver le centre de réparations en usine MILWAUKEE le plus près.

# INSTRUCCIONES IMPORTANTES DE SEGURIDAD

**⚠ ADVERTENCIA** Lea todas las advertencias de seguridad, instrucciones, ilustraciones y especificaciones con esta herramienta eléctrica. Si no sigue todas las advertencias e instrucciones, se pueden provocar una descarga eléctrica, un incendio o lesiones graves. **Guarde todas las advertencias e instrucciones para consultarlas en el futuro.**

## SEGURIDAD EN EL AREA DE TRABAJO

- **Guarde la lámpara cuando no se esté usando fuera del alcance de los niños.** Las lámparas calientes pueden ser peligrosas en manos de menores de edad.
- **Almacene la lámpara que no se estén usando fuera del alcance de los niños.** Las luces tibias pueden llegar a ser peligrosas en las manos de niños.
- **No exponga a la lluvia. Almacene en el interior.**

## SEGURIDAD ELÉCTRICA

- **Los enchufes de la herramienta eléctrica deben coincidir con el tomacorriente. Nunca modifique el enchufe de ninguna manera. No utilice adaptadores de enchufe con herramientas eléctricas aterrizadas.** Los enchufes y tomacorrientes correspondientes sin modificar reducirán el riesgo de descarga eléctrica.
- **Evite el contacto corporal con superficies aterrizadas, tales como tuberías, radiadores, estufas y refrigeradores.** Existe un riesgo mayor de descarga eléctrica si su cuerpo está aterrizado.
- **Para reducir el riesgo de descarga eléctrica, no ponga la lámpara en agua ni en otro líquido.** No coloque o guarde el aparato donde pueda caer o ser jalado al interior de una tina o lavabo.
- **No maltrate el cable. Nunca utilice el cable para cargar, jalar o desconectar la herramienta eléctrica.** Mantenga el cable alejado del calor, el aceite, los bordes afilados o las partes en movimiento. Los cables dañados o enredados aumentan el riesgo de descarga eléctrica.
- **Acomode los cables cuidadosamente para evitar entornos peligrosos.** Tropezarse o atorarse en los cables puede causar lesiones y daño al producto. No permita que los cables pasen por charcos o sobre suelo mojado.
- **No desconecte jalando el cable de corriente.** Para desconectar, sujete el enchufe y no el cable.
- **Desenchufe el cable del tomacorriente cuando no esté en uso y antes de realizarle un servicio o limpieza.**
- **Siempre use una extensión para reducir el riesgo de descarga eléctrica.**
- **Al operar una lámpara en exteriores, utilice una extensión adecuada para uso en exteriores.** Usar un cable apto para el exterior reduce el riesgo de descarga eléctrica.



• Si es inevitable utilizar la lámpara en un lugar húmedo, utilice un alimentador de corriente protegido con un interruptor de circuito por falla de conexión a tierra (GFCI). El uso de un GFCI reduce el riesgo de descarga eléctrica.

## SEGURIDAD PERSONAL

- **No estire el cuerpo demasiado. Mantenga un buen contacto entre los pies y el suelo y mantenga el equilibrio en todo momento.** Esto permite un mejor control de la herramienta eléctrica en situaciones inesperadas.
- **No se utilice sobre una escalera o un apoyo inestable.** Un apoyo estable en una superficie sólida permite un mejor control de la lámpara en situaciones inesperadas.
- **No mire fijamente la fuente de luz operativa.**
- **Para reducir el riesgo de incendio o quemaduras, mantenga las manos y los materiales combustibles alejados de las lentes.** Las lentes pueden calentarse después de usarse por mucho tiempo.
- **Evite el arranque accidental. Asegúrese de que el interruptor esté en la posición de apagado antes de conectarlo a una batería, levantar o trasladar la herramienta.** Trasladar herramientas con el dedo en el interruptor o energizar herramientas que tienen el interruptor encendido propicia accidentes.

## USO Y CUIDADO DE LAS HERRAMIENTAS CON BATERÍA

- **Recargue únicamente con el cargador especificado por el fabricante.** Un cargador que es adecuado para un tipo de batería puede crear un riesgo de incendio si se utiliza con otra batería.
- **Utilice las lámparas únicamente con baterías específicamente diseñadas.** El uso de cualquier otra batería puede producir un riesgo de lesiones e incendio.
- **Desconecte la batería del aparato antes de hacer antes de realizar cualquier ajuste, cambiar accesorios o almacenar el aparato.** Tales medidas preventivas de seguridad disminuyen el riesgo de que el aparato se encienda accidentalmente.
- **Cuando la batería no esté en uso, manténgala alejada de otros objetos metálicos como sujetapapeles, monedas, llaves, clavos, tornillos u otros objetos metálicos pequeños que puedan formar una conexión de una terminal a otra.** Crear un corto entre las terminales de la batería puede ocasionar quemaduras o un incendio.
- **No provoque un corto circuito.** Una batería con corto circuito podrá provocar un incendio, lesiones físicas y daños en el producto. Una batería sufrirá un corto circuito si un objeto metálico crea una conexión entre los contactos positivo y negativo en la batería. No coloque una batería cerca de algo que pueda provocar un cortocircuito, como monedas, llaves o clavos en su bolsillo.
- **No permite que entre fluidos en la batería.** Los fluidos corrosivos o conductivos, como es el caso del agua de mar, ciertos químicos de nivel industrial, el cloro o productos con peróxido de hidrógeno, etc., podrán provocar un corto circuito.

- **Bajo condiciones de maltrato, el líquido puede ser expulsado de la batería, evite el contacto.** En caso de contacto accidental, lave con agua. Si el líquido entra en contacto con los ojos, busque además ayuda médica. El líquido expulsado de la batería puede causar irritación o quemaduras.
- **No use una batería o herramienta que se haya dañado o modificado.** Las baterías dañadas o modificadas pueden mostrar un comportamiento impredecible, causando incendios, explosión o riesgo de lesión.
- **No exponga una batería o herramienta al fuego o a temperatura excesiva.** La exposición a fuego o temperatura a más de 130° C (265° F) puede causar explosiones.
- **Siga todas las instrucciones de carga y no cargue la batería o la herramienta fuera del rango de temperatura especificado en las instrucciones.** La carga incorrecta o a temperaturas fuera del rango especificado puede dañar la batería y aumentar el riesgo de incendio.

## USO Y CUIDADO DEL CARGADOR

- **Precaución - para reducir el riesgo de lesiones, cargue las baterías de iones de litio MILWAUKEE únicamente en el cargador de iones de litio MILWAUKEE.** Otros tipos de cargadores pueden causar lesiones personales o daños. Las baterías y el cargador no son compatibles con sistemas de tecnología V™ o NiCd. No conecte una batería a un enchufe de fuente de poder ni a un encendedor de cigarrillos para automóvil. Las baterías se dañarán o quedarán inservibles permanentemente.
- **Cargue únicamente baterías MILWAUKEE M18™ de iones de litio.** Otros tipos de baterías podrían explotar, provocando lesiones personales o daños.
- **Evite ambientes peligrosos.** No cargue la batería en la lluvia, nieve o lugares húmedos o mojados. No use la batería ni el cargador en presencia de atmósferas explosivas (gases, polvo o materiales inflamables) puesto que pueden generarse chispas al insertar o quitar la batería, y posiblemente provocar un incendio.
- **Cargue en un área con buena ventilación.** No permita que haya humo o llamas abiertas cerca de la batería que se esté cargando. Los gases ventilados pueden explotar.
- **Mantener el cable del cargador.** Al desconectar el cargador, jale del enchufe en vez del cable para reducir el riesgo de dañar cualquiera de ellos. Nunca transporte el cargador sujetándolo del cable. Proteja el cable del calor, aceite y bordes afilados. Asegúrese de no pisar, tropezar o someter el cable a daños o estrés. No use el cargador con el cable o enchufe dañado. Pida que se reemplace inmediatamente un cargador dañado.
- **Use únicamente los accesorios recomendados.** El uso de un accesorio no recomendado o vendido por el fabricante del cargador o de la batería podría resultar en un riesgo de incendio, descarga eléctrica o lesiones personales.
- **Desconecte el cargador** cuando no esté en uso. Retire las baterías de los cargadores desconectados.

•Para reducir el riesgo de una descarga eléctrica, siempre desconecte el cargador antes de limpiarlo o dar mantenimiento. Use un interruptor de circuito por pérdida a tierra (GFCI) para reducir los riesgos de descarga eléctrica.

•Almacene su batería y el cargador en un lugar fresco y seco. No almacene la batería donde la temperatura pudiera exceder 120°F (50°C) tal como en la luz solar directa, un vehículo o edificio de metal durante el verano.

## MANTENIMIENTO

•Lleve su lámpara a servicio con un técnico calificado que use únicamente piezas de reemplazo idénticas. Esto asegurará que la seguridad de la herramienta eléctrica se mantenga.

•Nunca dé servicio a baterías dañadas. Únicamente el fabricante o proveedores de servicio autorizados deben dar servicio a las baterías.

## REGLAS ESPECÍFICAS DE SEGURIDAD PARA LAS LUCES

•Advertencia - La lente puede calentarse durante el uso. Para reducir el riesgo de quemaduras, no toque la lente caliente.

•Válgase siempre de su sentido común y sea cuidadoso cuando utilice herramientas. No es posible anticipar todas las situaciones que podrían tener un desenlace peligroso. No utilice esta herramienta si no entiende estas instrucciones de uso o si considera que el trabajo a realizar supera sus capacidades, comuníquese con Milwaukee Tool o con un profesional capacitado para recibir capacitación o información adicional.

•Conserve las etiquetas y las placas nominales. Contienen información importante. Si son ilegibles o no están presentes, comuníquese con un centro de servicio MILWAUKEE para obtener un reemplazo gratuito.

## GUARDE ESTAS INSTRUCCIONES

## ESPECIFICACIONES

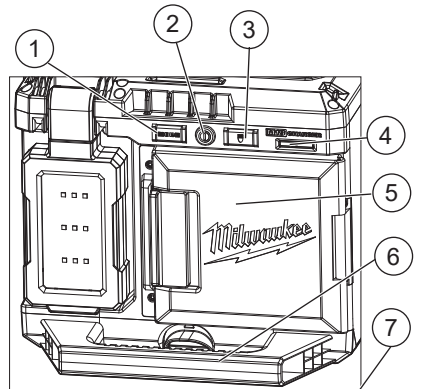
Cat. No. ....	2357-20
Voltios de entrada CC .....	18
Voltios de salida CC .....	18
Amperaje de salida CC .....	3,5
Voltios de entrada CA .....	120
Amperaje de entrada CA .....	3,2
Voltios de salida USB .....	5
Amperios de salida USB .....	2,1
Temperatura operativa	
Batería y cargador .....	0°C to 65°C (32°F to 150°F)
Batería y herramienta .....	-20°C to 40°C (-4°F to 104°F)

Batería de Iones de litio de M18™ ..... 18 V CD

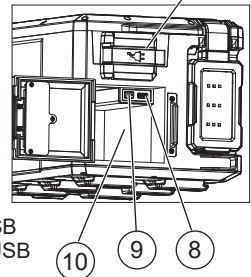
## SIMBOLOGÍA

-  Volts
-  Corriente continua
-  Corriente alterna
-  Amperios
-  Hertzios
-  No mire fijamente la fuente de luz operativa.
-  Con doble aislamiento
-  No se pare en él.
-  Alimentación de CA
-  Bus serie universal (USB)
-  Botón de encendido del USB
-  UL Listing Mark para Canadá y Estados Unidos

## DESCRIPCIÓN FUNCIONAL



1. Botón de MODO
2. Botón de encendido
3. Botón de brillo
4. Indicadores del cargador
5. Compartimiento para batería
6. Mango
7. Entrada CA
8. Tomacorriente con USB
9. Botón de encendido USB
10. Compartimiento de almacenamiento



# TIERRA

**ADVERTENCIA** Puede haber riesgo de descarga eléctrica si se conecta el cable de conexión de puesta a tierra incorrectamente. Consulte con un electricista certificado si tiene dudas respecto a la conexión de puesta a tierra del tomacorriente. No modifique el enchufe que se proporciona con la herramienta. Nunca retire la clavija de conexión de puesta a tierra del enchufe. No use la herramienta si el cable o el enchufe está dañado. Si está dañado antes de usarlo, llévalo a un centro de servicio MILWAUKEE para que lo reparen. Si el enchufe no se acopla al tomacorriente, haga que un electricista certificado instale un tomacorriente adecuado.

## Herramientas con conexión a tierra (Enchufes de tres clavijas)

Las herramientas marcadas con la frase "Se requiere conexión de puesta a tierra" tienen un cable de tres hilo y enchufes de conexión de puesta a tierra de tres clavijas. El enchufe debe conectarse a un tomacorriente debidamente conectado a tierra (véase la Figura A). Si la herramienta se averiara o no funcionara correctamente, la conexión de puesta a tierra proporciona un trayecto de baja resistencia para desviar la corriente eléctrica de la trayectoria del usuario, reduciendo de este modo el riesgo de descarga eléctrica.

La clavija de conexión de puesta a tierra en el enchufe está conectada al sistema de conexión de puesta a tierra de la herramienta a través del hilo verde dentro del cable. El hilo verde debe ser el único hilo conectado al sistema de conexión de puesta a tierra de la herramienta y nunca se debe unir a una terminal energizada.

Su herramienta debe estar enchufada en un tomacorriente apropiado, correctamente instalado y conectado a tierra según todos los códigos y reglamentos. El enchufe y el tomacorriente deben asemejarse a los de la Figura A.

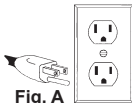


Fig. A

## Herramientas con doble aislamiento (Clavijas de dos clavijas)

Las herramientas marcadas con "Doble aislamiento" no requieren conectarse "a tierra". Estas herramientas tienen un sistema aislante que satisface los estándares de OSHA y llena los estándares aplicables de UL (Underwriters Laboratories), de la Asociación Canadiense de Estándares (CSA) y el Código Nacional de Electricidad. Las herramientas con doble aislamiento pueden ser usadas en cualquiera de los toma corriente de 120 Volt mostrados en las Figuras B y C.

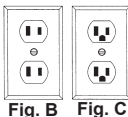


Fig. B

Fig. C

# EXTENSIONES ELÉCTRICAS

Las herramientas que deben conectarse a tierra cuentan con clavijas de tres patas y requieren que las extensiones que se utilicen con ellas sean también de tres cables. Las herramientas con doble aislamiento y clavijas de dos patas pueden utilizarse indistintamente con extensiones de dos a tres cables. El calibre de la extensión depende de la distancia que exista entre la toma de la corriente y el sitio donde se utilice la herramienta. El uso de extensiones inadecuadas puede causar serias caídas en el voltaje, resultando en pérdida de potencia y posible daño a la herramienta. La tabla que aquí se ilustra sirve de guía para la adecuada selección de la extensión. Mientras menor sea el número del calibre del cable, mayor será la capacidad del mismo. Por ejemplo, un cable calibre 14 puede transportar una corriente mayor que un cable calibre 16. Cuando use más de una extensión para lograr el largo deseado, asegúrese que cada una tenga al menos, el mínimo tamaño de cable requerido. Si está usando un cable de extensión para más de una herramienta, sume los amperes de las varias placas y use la suma para determinar el tamaño mínimo del cable de extensión.

## Guías para el uso de cables de extensión

- Si está usando un cable de extensión en sitios al aire libre, asegúrese que está marcado con el sufijo "W" el cual indica que puede ser usado al aire libre.
- Asegúrese que su cable de extensión está correctamente cableado y en buenas condiciones eléctricas. Cambie siempre una extensión dañada o hágala reparar por una persona calificada antes de volver a usarla.
- Proteja su extensión eléctrica de objetos cortantes, calor excesivo o áreas mojadas.

Calibre mínimo recomendado para cables de extensiones eléctricas*					
Amperios (En la placa)	Largo de cable de Extensión en (m)				
	7,6	15,2	22,9	30,5	45,7
0 - 2,0	18	18	18	18	16
2,1 - 3,4	18	18	18	16	14
3,5 - 5,0	18	18	16	14	12
5,1 - 7,0	18	16	14	12	12
7,1 - 12,0	16	14	12	10	--
12,1 - 16,0	14	12	10	--	--
16,1 - 20,0	12	10	--	--	--

\*Basado en limitar la caída en el voltaje a 5 volts al 150% de los amperios.

**LEA Y GUARDE TODAS LAS INSTRUCCIONES PARA FUTURAS REFERENCIAS**

# ENSAMBLAJE

**⚠ ADVERTENCIA** Recargue la batería sólo con el cargador especificado para ella. Para instrucciones específicas sobre cómo cargar, lea el manual del operador suministrado con su cargador y la batería.

## Como se inserta/quita la batería en la herramienta



Para retirar la batería, presione los botones de liberación y jale de la batería para sacarla de la herramienta.

**⚠ ADVERTENCIA** Para reducir el riesgo de lesiones, extraiga siempre la batería antes de acoplar o desacoplar accesorios.

Para introducir la batería, deslícela en el cuerpo de la herramienta. Asegúrese de que quede bien firme en su posición.

**⚠ ADVERTENCIA** Utilice únicamente accesorios específicamente recomendados para esta herramienta. El uso de accesorios no recomendados podría resultar peligroso.

## Insertar/quitar la extensión




Cuando no utilice la opción de CA, asegúrese de que las puertas de CA estén completamente cerradas. Abra la puerta  y conecte una extensión adecuada en la lámpara. Para desconectar la extensión, presione el botón de encendido  para apagar la lámpara y retire el cable del tomacorriente.

**NOTA:** Cuando haya una extensión conectada en la lámpara, ésta funcionará automáticamente con corriente CA.

# OPERACIÓN

**⚠ PRECAUCIÓN** Para reducir el riesgo de lesiones, no mire fijamente la fuente de luz operativa.

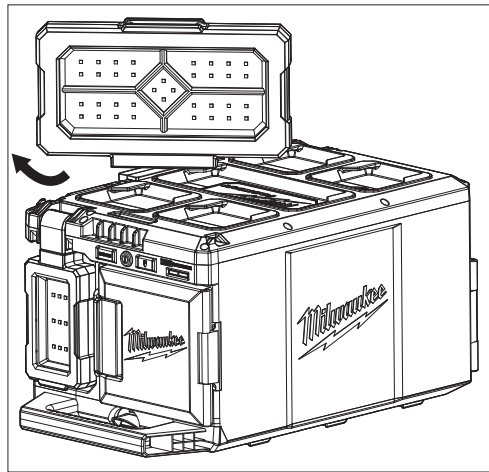
## Uso de las lámparas

1. Inserte la batería o conecte en la corriente CA.
2. Oprima el botón  para encender la lámpara.
3. Presione el botón  de brillo – para ciclar por el brillo alto, medio y bajo.
4. Oprima el botón de MODO para seleccionar una iluminación completa, luz principal o luces frontales o traseras.
5. Presione el botón de encendido  para apagar la lámpara. Siempre presione el botón de apagado antes de desconectar la lámpara.


**NOTA:** La lámpara se encenderá a la configuración de área y brillo seleccionado la próxima vez que se encienda. Al utilizar la batería, la lámpara parpadeará para indicar que la carga de la batería está por terminar.

## Girar las lámparas

Para girar la lámpara principal, jale la lámpara hacia afuera y gírela hasta 210° hacia la izquierda o 95° hacia la derecha. Para girar las lámparas frontales y traseras, jale las lámparas hacia afuera y gire hasta 30° hacia la izquierda o 300° hacia la derecha.



## Tomacorriente con USB

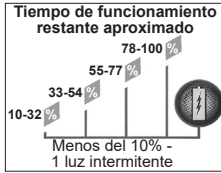
Este tomacorriente puede usarse para cargar un teléfono celular, encender un reproductor de MP3 o cualquier otro dispositivo que use menos de 2,1 A de corriente eléctrica DC. Para encender el USB, pulse el botón  de encendido USB. El puerto de USB permanecerá encendido por dos horas antes de apagarse automáticamente.

**NOTA:** Cualquier dispositivo que use más de 2,4 A de corriente eléctrica CC activará una sobrecarga de restablecimiento automático y deshabilitará el tomacorriente.

# OPERACIÓN DE LA BATERÍA

## Indicador de carga

Use el indicador de carga para determinar el tiempo de funcionamiento restante del paquete de batería. Pulse el botón del indicador de carga para que se muestren las luces. El indicador de carga se encenderá durante 2 ó 3 segundos. Cuando quede menos del 10% de carga, una luz parpadeará lentamente en el indicador de carga.



**NOTA:** Si el Indicador de carga parece no estar funcionando, coloque el paquete de batería en el cargador y cárguela según sea necesario. Comparado con otros tipos de BATERÍAS NiCd, las baterías de iones de litio MILWAUKEE proporcionan una alimentación constante durante todo el tiempo de funcionamiento. La herramienta no sufrirá una lenta y gradual pérdida de potencia a medida que trabaja. Para indicar la finalización de la carga, una luz parpadeará rápidamente en el indicador de carga durante 2 ó 3 segundos y la herramienta no podrá encenderse. Cargue el paquete de batería.

**NOTA:** Inmediatamente después de usar el paquete de batería, es posible que el Indicador de carga muestre una carga inferior a la que aparecerá si se comprueba unos minutos más tarde. Después de reposar, las celdas del paquete de batería "recuperan" algo de su carga.

## Protección del paquete de batería

Para protegerla de daños y extender su duración, el circuito inteligente del paquete de batería monitorea el consumo de corriente y la temperatura. En situaciones con una fuerza de torsión demasiado alta, agorrotamiento, paros y cortocircuitos, el paquete de batería APAGARÁ la herramienta si el consumo de corriente aumenta excesivamente. Las luces del indicador de carga comenzarán a parpadear. Suelte el gatillo y reinicie la herramienta. En situaciones extremas, es posible que la temperatura interna del paquete de batería aumente excesivamente. Si esto sucede, las luces del indicador de carga parpadearán de manera alternada y la herramienta no podrá encenderse. Deje que el paquete de batería se enfríe.

Luces del indicador de carga	Diagnóstico	Solución
Luces 1 a 4, continuas	Tiempo de funcionamiento restante	Continuar funcionando
1 luz de parpadeo lento	Menos del 10% de tiempo de funcionamiento restante	Preparar el paquete de batería para una carga
1 luz de parpadeo rápido	Se terminó de descargar	Cargar el paquete de batería
Luces 1 a 4, de parpadeo rápido	Consumo de corriente excesivo	Soltar el gatillo y reiniciar la herramienta, reducir la presión
Luces 1 y 3/ luces 2 y 4, de parpadeo alternado	Temperatura del paquete de batería muy elevada	Soltar el gatillo y dejar que el paquete de batería se enfríe

## Funcionamiento en clima frío

El paquete de batería de iones de litio de MILWAUKEE de M18 están diseñados para funcionar en temperaturas bajo cero. Cuando el paquete de batería se encuentre muy fría, colóquela en una herramienta y utilice ésta en una tarea ligera. Es posible que "zumbé" por un breve período de tiempo hasta que se caliente. Una vez que el zumbido cese, utilice la herramienta de manera normal.

## Mantenimiento y almacenamiento de la batería

No exponga la batería ni las herramientas inalámbricas a agua o lluvia, ni deje que se mojen. Esto podría dañar la batería y la herramienta. No usar aceite ni disolventes para limpiar o lubricar la batería. Su cubierta de plástico se quebrará y agrietará, creando un riesgo de lesiones.

Almacene las baterías a temperatura ambiente lejos de humedad. No almacenarlas en lugares húmedos en los que los bornes se pueden corroer. Como con otros tipos de baterías, se puede producir una pérdida de capacidad permanente si la batería se almacena por largos períodos de tiempo a altas temperaturas (más de 50°C (120°F)). Durante el almacenamiento, las baterías de iones de litio Milwaukee mantienen su carga más tiempo que otros tipos de batería. Después de unos seis meses de almacenamiento, cargar la batería normalmente.

## Transporte

El transporte personal de baterías de iones de litio se permite cuando se realiza de acuerdo con estas advertencias e instrucciones. La correcta clasificación, empaque, etiquetado, marcado y requisitos de documentación para el embarque de baterías de iones de litio depende de si las baterías en cuestión tienen clasificaciones mayores o menores a 100 Wh. En general, las baterías de iones de litio clasificadas como 100 Wh o menos están "exentas" de ciertos requisitos de la Clase 9 DG. Siempre verifique el cumplimiento de las designaciones de las baterías de iones de litio contra los reglamentos vigentes que regulan el modo de transporte seleccionado. En caso de dudas, comuníquese con el transportista u otro profesional capacitado en productos peligrosos para confirmar la aceptabilidad. Las baterías de iones de litio se envían bajo la clasificación UN 3480 (únicamente la batería) o UN3481 (baterías contenidas o empacadas con equipo).

**⚠️ ADVERTENCIA** Para reducir el riesgo de lesiones o explosión, nunca quemé ni incinere una batería incluso si está dañada, muerta o completamente descargada. Cuando se quema, se producen humos y materiales tóxicos.

## Desecho de baterías de iones de litio

Las baterías de iones de litio son menos dañinas para el medioambiente que otros tipos de baterías para herramientas eléctricas (por ejemplo, níquel-cadmio). Siempre deseche su batería siguiendo las normas federales, estatales y locales. Póngase en contacto con la agencia de reciclaje en su área para averiguar dónde se pueden reciclar.

Incluso las baterías descargadas contienen algo de energía. Antes de desecharlas, use cinta aislante para cubrir los terminales e impedir que la batería haga un cortocircuito que pudiera causar un incendio o una explosión.

## Sellos de Reciclaje de Baterías RBRC

Los Sellos de Reciclaje de Baterías RBRC™ (véase “Simbología”) en las baterías de su herramienta indican que MILWAUKEE ha hecho los arreglos pertinentes para reciclar dichas baterías con la Recargable Battery Recycling Corporation (Corporación de Reciclaje de Baterías Recargables, o RBRC por sus siglas en inglés). Al final de la vida útil de las baterías, devuelva éstas a la Oficina Principal/Centro de Servicio de MILWAUKEE o el distribuidor autorizado más cercano a usted. Si desea mayor información, visite el sitio web de RBRC en [www.rbrc.org](http://www.rbrc.org).

# OPERACIÓN DEL CARGADOR

**⚠ ADVERTENCIA** Cargue únicamente baterías MILWAUKEE de iones de litio de M18™ en el cargador MILWAUKEE para baterías de iones de litio de M18™. Otros tipos de baterías podrían ocasionar lesión y daño personal.

## Cuándo cambiar la batería

Quite la batería de la herramienta para cargarla cuando le resulte conveniente a usted y a su trabajo. Las baterías de iones de litio MILWAUKEE no desarrollan una “memoria” cuando se cargan después de solamente una descarga parcial. No es necesario descargar completamente la batería antes de colocarla en el cargador.

- Utilice el indicador de carga (en la herramienta o la batería) para determinar cuándo necesita cargar la batería de iones de litio de MILWAUKEE.
- Puede “cargar hasta el tope” la batería antes de comenzar una tarea importante o un día en el que se va a usar durante mucho tiempo.
- La única vez que es necesario cargar la batería de iones de litio MILWAUKEE es cuando la batería se ha descargado por completo. Para indicar el final de la carga, la energía a la herramienta descenderá rápidamente, proporcionándole justo la energía necesaria para terminar de realizar un corte, taladrar un agujero o introducir un afianzador. Cambie la batería según sea necesario.

## Cómo cargar la batería

Conecte la lámpara a un tomacorriente de 120 voltios. Las baterías no se cargarán si el cargador de la base de la lámpara no está conectado. Alinee la batería con el compartimiento e inserte la batería en el cargador tanto como sea posible.

- Cuando se inserte una batería en el cargador, los LED indicarán lo siguiente:



Rojo continuo: Cargando



Luz verde continua: Carga completa



Rojo parpadeando: La batería está demasiado caliente/fría



La carga comenzará cuando la batería alcance la temperatura de carga correcta



Luz verde/roja parpadeando: Batería dañada o defectuosa

- Una batería completamente descargada se cargará en 30-185 minutos, según la batería.
- Si ha sido usada intensamente, la batería puede tardar más tiempo en cargarse completamente.

- Los focos del indicador de combustible en las baterías de 18 V se muestran mientras la batería se está cargando, indicando el nivel de carga que tiene la batería. El indicador de combustible se apagará cuando la carga esté completa.
- El cargador mantendrá la batería completamente cargada si se deja en el cargador. El indicador luminoso parpadeará en verde durante esta carga de mantenimiento.
- Si la luz indicadora parpadea en rojo y verde, cerciórese de que la batería está bien asentada en el compartimiento. Extraiga la batería y reintrodúzcala. Si la luz continúa parpadeando en rojo y verde, es posible que la batería esté demasiado caliente, demasiado fría o húmeda. Deje que la batería se enfríe, se caliente o se seque, y reintrodúzcala. Si el problema persiste, póngase en contacto con un centro de servicio MILWAUKEE.
- Si la luz indicadora no se enciende, cerciórese de que la batería está bien asentada en el compartimiento. Extraiga la batería y reintrodúzcala. Si aún no se enciende la luz indicadora, extraiga la(s) batería(s) y desconecte el cargador durante un mínimo de 2 minutos. Después de 2 minutos, vuelva a conectar el cargador e introduzca la batería. Si después de estos intentos la luz indicadora aún no se enciende, póngase en contacto con un centro de servicio MILWAUKEE.

## Estado de carga de iones de litio

Temperatura del paquete de batería	Luz indicadora roja del cargador	Estado de carga
Demasiado caliente	Intermitente	No está cargando
Temperatura apropiada	Continua	Carga normal
Demasiado fría	Intermitente	No está cargando

# MANTENIMIENTO

**⚠ ADVERTENCIA** Para reducir el riesgo de una lesión, desconecte siempre la herramienta antes de darle cualquier mantenimiento. Nunca desarme la herramienta ni trate de hacer modificaciones en el sistema eléctrico de la misma. Acuda siempre a un Centro de Servicio MILWAUKEE para TODAS las reparaciones. Para reducir el riesgo de incendio, lesiones personales y daños al producto debido a un cortocircuito, no sumerja nunca la herramienta, el paquete de baterías o el cargador en líquido ni permita que fluya un fluido dentro de ellos. Los fluidos corrosivos o conductivos, como el agua de mar, ciertos productos químicos industriales y blanqueadores o lejías que contienen, etc., pueden causar un cortocircuito.

## Mantenimiento de la lámpara

Mantenga su lámpara, batería y cargador en buenas condiciones adoptando un programa periódico de mantenimiento. Si la lámpara no funciona correctamente, devuélvala a un centro de servicio MILWAUKEE para reparación.

**ADVERTENCIA** Para reducir el riesgo de lesiones, descarga eléctrica o daño a la herramienta, nunca la sumerja en líquidos ni permita que estos fluyan dentro de la misma.

### Limpeza

Limpe el polvo y suciedad de las ventilas. Mantenga los mangos limpios, secos y libres de aceite o grasa. Use solo jabón neutro y un trapo húmedo para limpiar, ya que algunos substancias y solventes limpiadores son dañinos a los plásticos y partes aislantes. Algunos de estos incluyen: gasolina, turpentina, thinner, lacas, thinner para pinturas, solventes para limpieza con cloro, amoníaco y detergentes caseros que tengan amonia. Nunca usa solventes inflamables o combustibles cerca de una herramienta.

### Reparaciones

Si su herramienta, batería o cargador están dañados, envíela al centro de servicio autorizado más cercano.

## ACCESORIOS

**ADVERTENCIA** Utilice sólo los accesorios específicamente recomendados. Otros accesorios puede ser peligrosos.

Para una lista completa de accesorios, visite nuestro sitio en Internet: [www.milwaukeeool.com](http://www.milwaukeeool.com) o póngase en contacto con un distribuidor.

### SOPORTE DE SERVICIO - MEXICO

#### CENTRO DE ATENCION A CLIENTES

Techronic Industries Mexico, S.A. de C.V.

Av. Presidente Masarik 29 Piso 7

11560 Polanco V Seccion

Miguel Hidalgo, Distrito Federal, México

01 (800) 030-7777 o (55) 4160-3540

Lunes a Viernes (9am a 6pm)

O contáctanos en [www.milwaukeeool.com.mx](http://www.milwaukeeool.com.mx)

### GARANTÍA LIMITADA - E.U.A. Y CANADÁ

Cada herramienta eléctrica\* de MILWAUKEE (ver excepciones a continuación) está garantizada para el comprador original únicamente de que no tenga material y mano de obra defectuosos. Sujeto a ciertas excepciones, MILWAUKEE reparará o reemplazará cualquier parte en una herramienta eléctrica que tenga defectos de material o mano de obra según lo determine MILWAUKEE mediante una revisión, por un periodo de cinco (5) años\*\* después de la fecha de compra a menos que se indique lo contrario. Al devolver la herramienta eléctrica a un Centro de Servicio de la fábrica de MILWAUKEE o a una Estación de Servicio Autorizada de MILWAUKEE, se requiere que el flete esté pagado por adelantado y asegurado. Se debe incluir una copia del comprobante de compra con el producto devuelto. Esta garantía no aplica a daños que MILWAUKEE determine que son ocasionados por reparaciones o intentos de reparaciones realizados por una persona que no sea personal autorizado de MILWAUKEE, uso indebido, alteraciones, maltrato, desgaste normal, falta de mantenimiento o accidentes.

Desgaste normal: Muchas herramientas eléctricas necesitan un reemplazo periódico de partes y servicio para lograr el mejor desempeño. Esta garantía no cubre la reparación cuando el uso normal ha agotado la vida de una parte, incluyendo sin limitar a mandriles, cepillos, cables, zapatas de la sierra, abrazaderas de la hoja, anillos en O, sellos, protectores, hojas de desatornilladores, pistones, herrajes, levantoadores y arandelas de cubierta de los protectores.

\*Esta garantía no cubre clavadoras y grapadoras neumáticas, pistola de pintura a presión, baterías inalámbricas, generadores de energía portátiles de gasolina, herramientas de mano, palanca y cadena de mano de polipasto - eléctricas, indumentaria calefactuala M12™, producto reacondicionado y productos de prueba y medición. Existen garantías por separado y distintas disponibles para estos productos.

\*\*El periodo de garantía para los radios para obra, puerto de energía M12™, fuente de poder M18™, ventiladores para obra y carretillas de trabajo industrial Trade Titan™ es de un (1) año a partir de la fecha de compra. El periodo de garantía para los M18 FUEL™ 1" llaves de impacto de alto torque con d en empuñadura, cables de limpieza de drenaje y AIRSNAKE™ los accesorios de pistola de aire de limpieza de drenaje, y los niveles láser mediante USB REDLITHIUM™ es de dos (2) años a partir de la fecha de compra. El periodo de garantía de la pistola de calor compacta M18™, Extractor de polvo de 8 galones,

M18™ enmarcar clavadoras, M18 FUEL™ 1/2" yunque prolongado torque controlado llave de impacto con ONE-KEY™, M18 FUEL™ 1" llave de impacto de alto esfuerzo de torsión con ONE-KEY™, M18 FUEL™ de 7.6 L compacto compresor silencioso, y los niveles láser M12™ es de tres (3) años a partir de la fecha de compra. El periodo de garantía de las lámparas de LED en la Lámpara de trabajo LED y el Bulbo mejorado de LED para la Luz de trabajo es por la vida del producto sujeto a las limitaciones anteriores. Si durante el uso normal el LED o Bulbo de LED falla, la parte será reemplazada sin cargo. No se requiere el registro de la garantía para obtener la garantía correspondiente a un producto de herramienta eléctrica de MILWAUKEE. La fecha de manufactura del producto se utilizará para determinar el periodo de garantía si no se proporciona comprobante de compra al solicitar el servicio en garantía.

LA ACEPTACIÓN DE LOS REMEDIOS EXCLUSIVOS DE REPARACIÓN Y REEMPLAZO AQUÍ DESCRITOS ES UNA CONDICIÓN DEL CONTRATO PARA LA COMPRA DE TODO PRODUCTO DE MILWAUKEE. SI USTED NO ACEPTA ESTA CONDICIÓN, NO DEBE COMPRAR EL PRODUCTO. MILWAUKEE NO SERÁ RESPONSABLE EN NINGUN CASO DE DAÑOS INCIDENTALES, ESPECIALES, EMERGENTES O PUNITIVOS NI DE NINGUN COSTO, HONORARIOS LEGALES, GASTOS, PÉRDIDAS O DEMORAS ALEGADAS COMO CONSECUENCIA DE ALGUN DAÑO, FALLA O DEFECTO EN NINGUN PRODUCTO, INCLUYENDO, ENTRE OTROS, RECLAMACIONES POR PÉRDIDA DE UTILIDADES. ALGUNOS ESTADOS NO PERMITEN LA EXCLUSIÓN O LIMITACIÓN DE RESPONSABILIDAD POR DAÑOS INCIDENTALES O EMERGENTES, POR LO QUE LA ANTERIOR LIMITACIÓN O EXCLUSIÓN PODRÍA NO APLICARSE EN SU CASO. ESTA GARANTÍA ES EXCLUSIVA Y REEMPLAZA TODAS LAS DEMÁS GARANTÍAS EXPRESAS, ESCRITAS U ORALES. EN LA MEDIDA EN QUE LO PERMITA LA LEY, MILWAUKEE DESCONOCE CUALQUIER GARANTÍA IMPLÍCITA, INCLUYENDO SIN LIMITACIÓN CUALQUIER GARANTÍA IMPLÍCITA DE COMERCIABILIDAD O IDONEIDAD PARA UN FIN O USO ESPECÍFICO; EN LA MEDIDA EN QUE DICHO DESCONOCIMIENTO NO SEA PERMITIDO POR LA LEY, DICHAS GARANTÍAS IMPLÍCITAS SE LIMITAN A LA DURACIÓN DE LA GARANTÍA EXPRESA CORRESPONDIENTE SEGÚN SE DESCRIBIÓ ANTERIORMENTE. ALGUNOS ESTADOS NO PERMITEN LIMITACIONES SOBRE LA DURACIÓN DE UNA GARANTÍA IMPLÍCITA, POR LO QUE LA ANTERIOR LIMITACIÓN PODRÍA NO APLICARSE A USTED. ESTA GARANTÍA LE DA DERECHOS LEGALES ESPECÍFICOS Y USTED PODRÍA ADEMÁS TENER OTROS DERECHOS QUE VARIAN DE UN ESTADO A OTRO.

Esta garantía aplica al producto vendido en los Estados Unidos y Canadá únicamente.

Consulte la "Búsqueda de centro de servicio" en la sección de Partes y servicio del sitio web de MILWAUKEE en [www.milwaukeeool.com](http://www.milwaukeeool.com) o llame al 1.800.SAWDUST (1.800.729.3878) para localizar su centro de servicio más cercano para darle servicio con y sin garantía a una herramienta eléctrica de Milwaukee.

### GARANTÍA LIMITADA - E.U.A. Y CANADÁ

Se garantiza al comprador original que ninguna de las baterías MILWAUKEE (vendidas con productos inalámbricos o como baterías de reemplazo) presentan defectos en material ni mano de obra. Dentro del periodo de garantía establecido, a partir de la fecha de compra y sujeto a ciertas excepciones, MILWAUKEE reparará o reemplazará la batería que, luego de ser examinada, MILWAUKEE compruebe que presenta defectos en material o mano de obra. Se requiere la devolución de la batería a un centro de mantenimiento de la fábrica MILWAUKEE o a un centro de reparaciones autorizado por MILWAUKEE, con gastos de envío prepagados y asegurada. Para obtener información acerca del procedimiento de envío de las baterías, comuníquese a 1.800.SAWDUST (1.800.729.3878) o visite [www.milwaukeeool.com](http://www.milwaukeeool.com). La devolución del producto debe estar acompañada por un comprobante de compra. Esta garantía no se aplica a los daños que MILWAUKEE establece que fueron ocasionados por reparaciones o intentos de reparación por parte de personal no autorizado por MILWAUKEE, uso indebido, alteraciones, abuso, desgaste y deterioro normal, falta de mantenimiento o accidentes.

Descripción de la batería Cat. No.	Química	Periodo de la garantía (a partir de la fecha de compra)
48-11-1828 (Número de serie de prefijo "B4IE" y posterior)		
48-11-1840		
48-11-1850		
48-11-1860		
48-11-1865		
48-11-1880		
48-11-1890	IONES DE LITIO	Tres (3) años
48-11-2402		
48-11-2440		
48-11-2460		
48-11-2530 (Número de serie de prefijo "C71")		

48-11-0490 48-11-1815 48-11-1820 48-11-1835 48-11-2001 48-11-2401 48-11-2420 48-11-2430	IONES DE LITIO	Dos (2) años
48-11-1828 (Número de serie de prefijo "B41D" y anterior) 48-11-1830 (Número de serie de prefijo "A95") 48-11-2830 (Número de serie de prefijo "A71")	IONES DE LITIO	Dos (2) años: más tres años de prorrateo (prorrataado)*
48-11-0100 48-11-1024 48-11-1830 (Número de serie de prefijo "E95") 48-11-1970 48-11-2230	Ni-Cd/níquel-cadmio, Ni-MH/níquel-hidruro metálico, IONES DE LITIO	Un (1) año

\*El periodo de garantía para los productos MILWAUKEE M18™ 48-11-1828 (con prefijo de número de serie "B41D" y anterior), V18™ 48-11-1830 (con prefijo de número de serie "A95") y V28™ 48-11-2830 (con prefijo de número de serie "A71") es de cinco (5) años / 2000 cargas a partir de la fecha de compra, lo que ocurra primero. Las primeras 1000 cargas o 2 años de la garantía, lo que ocurra primero, se cubren mediante el reemplazo gratuito de la batería defectuosa. Esto significa que para lo que ocurra primero, las primeras 1000 cargas o dos (2) años a partir de la fecha de compra/primer carga, se proporcionará una batería de reemplazo al cliente por cualquier batería defectuosa sin costo alguno. Posteriormente, las cargas restantes hasta un total de 2000 o el resto del periodo de cinco (5) años a partir de la fecha de compra, lo que ocurra primero, se cubrirán de manera prorrateada. Esto significa que cada cliente recibe otras 1000 cargas o tres (3) años de garantía prorrateada para estas baterías, dependiendo de la cantidad de uso. Los productos MILWAUKEE M18™ 48-11-1828 (con prefijo de número de serie "B41E" y posterior), V18™ 48-11-1830 (con prefijo de número de serie "E95") y M28™ 48-11-2830 (con prefijo de número de serie "C71") tiene diferentes periodos de garantía, según se indica. No se necesita registro de garantía para obtener la garantía correspondiente de un producto eléctrico MILWAUKEE. La fecha de fabricación del producto se utilizará para determinar el período de garantía si no se presenta un comprobante de compra en el momento en que se solicita el servicio de garantía. LA ACEPTACIÓN DE LOS DERECHOS A REPARACIÓN Y REEMPLAZO EXCLUSIVAMENTE DESCRITOS EN EL PRESENTE DOCUMENTO CONSTITUYE UNA CONDICIÓN DEL CONTRATO POR LA COMPRA DE CADA PRODUCTO MILWAUKEE. SI NO ACEPTA ESTA CONDICIÓN, NO DEBE COMPRAR EL PRODUCTO. MILWAUKEE NO SERÁ EN NINGÚN CASO RESPONSABLE DE DAÑOS INCIDENTALES, ESPECIALES, CONSECUENTES O PUNITIVOS, NI DE COSTOS, HONORARIOS DE ABOGADOS, GASTOS, PÉRDIDAS O DEMORAS SUPUESTAMENTE CAUSADOS COMO CONSECUENCIA DE CUALQUIER DAÑO, FALLA O DEFECTO EN CUALQUIER PRODUCTO, INCLUIDOS, A MODO DE EJEMPLO, RECLAMOS POR PÉRDIDA DE GANANCIAS. ALGUNOS ESTADOS NO PERMITEN LA EXCLUSIÓN O LA LIMITACIÓN DE DAÑOS INCIDENTALES O CONSECUENTES, POR LO TANTO, LAS LIMITACIONES Y EXCLUSIONES ANTERIORES PUEDEN NO APLICARSE PARA USTED. ESTA GARANTÍA ES EXCLUSIVA Y SUSTITUYE A TODAS LAS OTRAS GARANTÍAS EXPRESAS, ESCRITAS U ORALES. SEGÚN LO PERMITA LA LEY, MILWAUKEE SE EXIME DE TODA GARANTÍA IMPLÍCITA, INCLUIDOS,

A MODO DE EJEMPLO, TODA GARANTÍA IMPLÍCITA DE COMERCIABILIDAD O IDONEIDAD PARA UN USO O PROPOSITO EN PARTICULAR; EN LA MEDIDA EN QUE DICHA RENUNCIA NO ESTÉ PERMITIDA POR LA LEY, DICHAS GARANTÍAS IMPLÍCITAS ESTÁN LIMITADAS A LA DURACIÓN DE LA GARANTÍA EXPRESA APLICABLE SEGÚN SE DESCRIBE ANTERIORMENTE. ALGUNOS ESTADOS NO PERMITEN LIMITACIONES EN LA DURACIÓN DE UNA GARANTÍA IMPLÍCITA, POR LO TANTO, LA LIMITACIÓN ANTERIOR PUEDE NO APLICARSE PARA USTED. ESTA GARANTÍA LE OTORGA DERECHOS LEGALES ESPECÍFICOS Y TAMBIÉN PUEDE TENER OTROS DERECHOS QUE VARIAN DE ESTADO EN ESTADO. Esta garantía se aplica a los productos vendidos en los EE. UU. y Canadá. Consulte 'Service Center Search' (Búsqueda de centro de servicio' en la sección Parts & Services (Piezas y servicios) del sitio web MILWAUKEE, www.milwaukeetool.com o llame al 1.800.SAWDUST (1.800.729.3878) para encontrar su Centro de Servicio de la fábrica de MILWAUKEE más cercano.

## PÓLIZA DE GARANTÍA - VALIDA SOLO PARA MÉXICO, AMÉRICA CENTRAL Y EL CARIBE

La garantía de TECHTRONIC INDUSTRIES es por 5 años a partir de la fecha original de compra.

Esta tarjeta de garantía cubre cualquier defecto de material y mano de obra en ese Producto.

Para hacer válida esta garantía, presente esta tarjeta de garantía, cerrada/sellada por el distribuidor o la tienda donde compró el producto, al Centro de Servicio Autorizado (ASC). O, si esta tarjeta no se ha cerrado/sellado, presente la prueba original de compra a ASC. Llame 55 4160-3547 para encontrar el ASC más cercano, para servicio, partes, accesorios o componentes.

### Procedimiento para hacer válida esta garantía

Lleve el producto a ASC, junto con la tarjeta de garantía cerrada/sellada por el distribuidor o la tienda donde compró el producto, y cualquier pieza o componente defectuoso se reemplazará sin costo para usted. Cubriremos todos los costos de flete con relación a este proceso de garantía

### Excepciones

Esta garantía no tendrá validez en las siguientes situaciones:

- Cuando el producto se use de manera distinta a la que indica el manual del usuario final o de instrucciones.
- Cuando las condiciones de uso no sean normales.
- Cuando otras personas no autorizadas por TECHTRONIC INDUSTRIES modifiquen o reparen el producto.

**Nota:** si el juego de cables está dañado, tiene que reemplazarse en un Centro de Servicio Autorizado para evitar riesgos eléctricos.

### CENTRO DE SERVICIO Y ATENCIÓN

Llame al 55 4160-3547

IMPORTADO Y COMERCIALIZADO POR  
TECHTRONIC INDUSTRIES, MÉXICO, S.A. DE C.V.  
Miguel de Cervantes Saavedra No.301 Piso 5, Torre Norte  
11520 Colonia Ampliación Granada  
Miguel Hidalgo, Ciudad de Mexico, Mexico

**Modelo:** \_\_\_\_\_

**Fecha de Compra:** \_\_\_\_\_

**Sello del Distribuidor:** \_\_\_\_\_

**MILWAUKEE TOOL**  
13135 West Lisbon Road  
Brookfield, WI 53005 USA

58140252d2  
08/20

0163600101Q-02(A)  
Printed in China