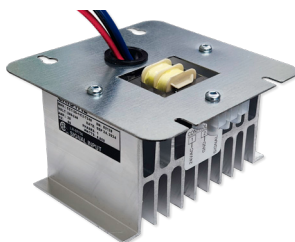


# CCT-25 AND CCT-30 SERIES

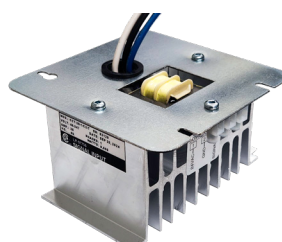
SSR TYPE ELECTRONIC RELAY WITH HEAT SINK



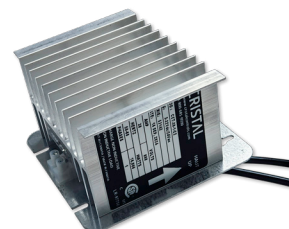
CCT-25-1-C1



CCT-25-1-C2-T240



CCT-25-1-C2-T347



CCT-30-1-C2



■ **MAINTAINS THE TEMPERATURE CLOSER TO THE DESIRED SETPOINT FOR GREATER COMFORT AND LOWER ENERGY COSTS**

■ **SIMPLE INSTALLATION AND EASY ADJUSTMENT ON A 4" X 4" ELECTRICAL JUNCTION BOX**

■ **INTEGRATED HEAT SINK TO DISSIPATE HEAT FROM THE ELECTRONIC RELAY**

■ **MORE PRECISE THAN MECHANICAL RELAYS**

■ **COMPATIBLE WITH LOW-VOLTAGE THERMOSTATS**

■ **NO MAINTENANCE REQUIRED**  
NO RISK OF DAMAGE, AS THERE ARE NO MECHANICAL COMPONENTS

■ **CAST IN EPOXY**  
WHICH PROTECTS THE RELAY AGAINST MOISTURE, EXCESS HEAT AND CONTAMINATED ENVIRONMENTS

## CONTROL

- 24 VAC pulse or On/Off signal
- With transformer (CCT-25-1-C2-T240 and CCT-25-1-C2-T347)

## TRANSFORMER VALUE

- CCT-25-1-C2-T240
  - 240 VAC = 24 VAC, 2.4 VA
  - 208 VAC = 20.8 VAC, 2.4 VA
- CCT-25-1-C2-T347
  - 347 VAC = 24 VAC, 2.4 VA
  - 277 VAC = 19.2 VAC, 2.4 VA
  - 240 VAC = 16.6 VAC, 2.4 VA

## INSTALLATION

- Must be installed in an external junction box

## OPERATING TEMPERATURE

- -20° C to 45° C (-4° F to 113° F); if over 25° C (77° F), derating required

## STORAGE TEMPERATURE

- -40° C to 80° C (-40° F to 176° F)

## MOUNTING

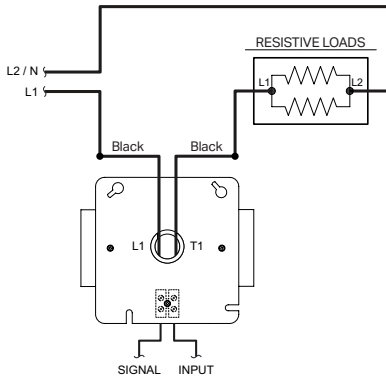
- 4 mounting holes for 4 11/16" electrical box

## TECHNICAL SPECIFICATIONS

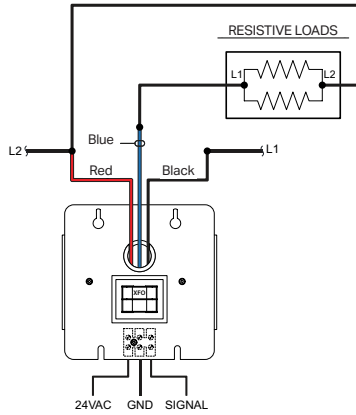
PRODUCT	DESCRIPTION
CCT-25-1-C1	SSR with heatsink – 25 A – 48-347 VAC, 1 phase, 50-60 Hz
CCT-25-1-C2-T240	SSR with heatsink – 25 A – 240 VAC, 1 phase, 50-60 Hz with transformer
CCT-25-1-C2-T347	SSR with heatsink – 25 A – 347 VAC, 1 phase, 50-60 Hz with transformer
CCT-30-1C2	SSR with heatsink – 30 A – 48-600 VAC, 1 phase, 50-60 Hz

# CONNECTION AND INSTALLATION

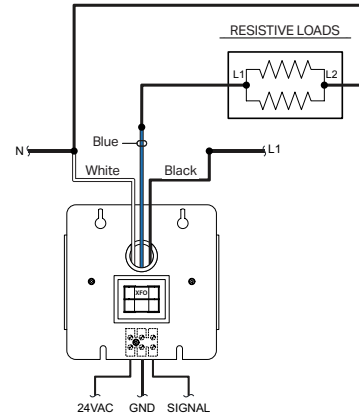
CCT-25-1-C1



CCT-25-1-C2-T240

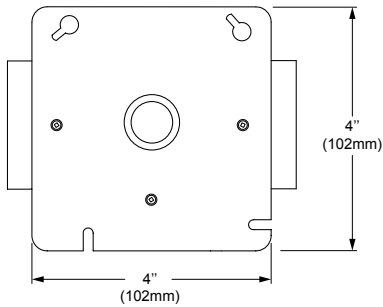


CCT-25-1-C2-T347

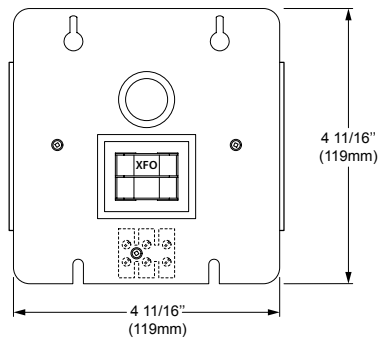


# DIMENSIONS

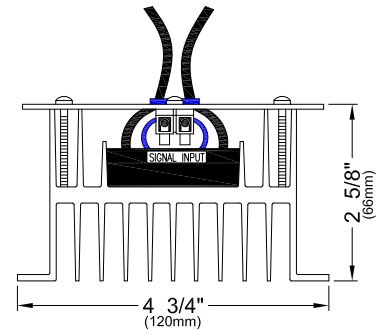
FRONT VIEW | CCT-25-1-C1



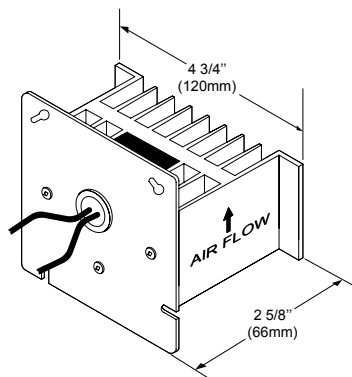
FRONT VIEW | CCT-25-1-C2-(T347), (T240)



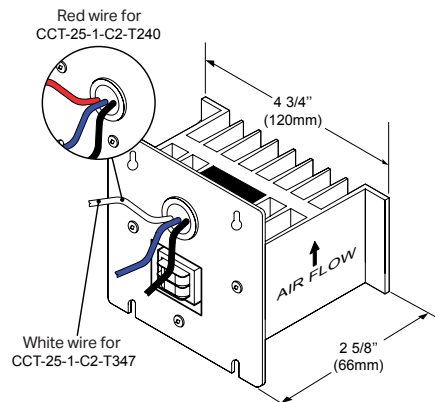
SIDE VIEW | CCT-30-1C2



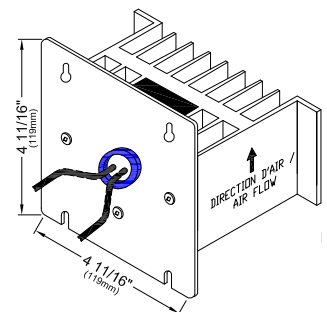
ISOMETRIC VIEW | CCT-25-1-C1



ISOMETRIC VIEW | CCT-25-1-C2-(T347), (T240)



ISOMETRIC VIEW | CCT-30-1C2



Stelpro reserves the right to modify at any time the description, manufacturing, or price of its products. Additionally, Stelpro may apply restocking fees or refuse a refund based on one or more of the following criteria: optional color, custom product, assembly with low-demand options. For the latest product information and prices regarding the products, please visit the website [www.stelpro.com](http://www.stelpro.com).