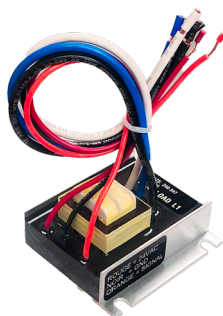


# CCT-15 AND CCT-06 SERIES

SSR TYPE ELECTRONIC RELAY WITHOUT HEAT SINK



CCT-15-1-S



CCT-15-1-S-T347



CCT-06-1-S



- **MAINTAINS THE TEMPERATURE CLOSER TO THE DESIRED SETPOINT FOR GREATER COMFORT AND LOWER ENERGY COSTS**
- **MORE PRECISE THAN MECHANICAL RELAYS**
- **EASY ADJUSTMENT AND INSTALLATION**
- **INSTALLATION IN THE HEATER JUNCTION BOX**
- **COMPATIBLE WITH LOW-VOLTAGE THERMOSTATS**
- **NO MAINTENANCE REQUIRED AND NO RISK OF DAMAGE, AS THERE ARE NO MECHANICAL COMPONENTS**
- **CAST IN EPOXY**  
WHICH PROTECTS THE RELAY AGAINST MOISTURE, EXCESS HEAT AND CONTAMINATED ENVIRONMENTS

## CONTROL

- 24 VAC pulse or On/Off signal
- With transformer (CCT-15-1-ST-347)

## TRANSFORMER VALUE (CCT-15-1-ST-347)

- 347 VAC = 24 VAC
- 277 VAC = 19.2 VAC
- 240 VAC = 16.6 VAC

## INSTALLATION

- Must be installed in the heater junction box

## OPERATING TEMPERATURE

- -20° C to 45° C (-4° F to 113° F); if over 25° C (77° F), derating required

## STORAGE TEMPERATURE

- -40° C to 80° C (-40° F to 176° F)

## TECHNICAL SPECIFICATIONS

PRODUCT	DESCRIPTION
CCT-15-1-S	SSR Relay – 15 A – 48-347 VAC, 1 phase, 50-60 Hz
CCT-15-1-ST-347	SSR Relay – 15 A – 240-347 VAC, 1 phase, 50-60 Hz with transformer
CCT-06-1-S	SSR Relay – 6 A – 48-600 VAC, 1 phase, 50-60 Hz

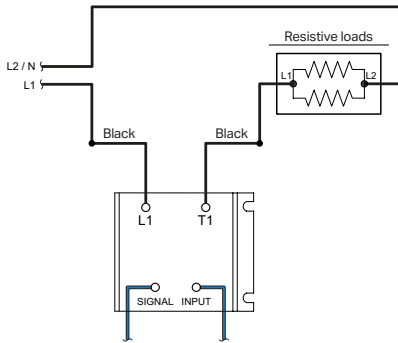


Stelpro reserves the right to modify at any time the description, manufacturing, or price of its products. Additionally, Stelpro may apply restocking fees or refuse a refund based on one or more of the following criteria: optional color, custom product, assembly with low-demand options. For the latest product information and prices regarding the products, please visit the website [www.stelpro.com](http://www.stelpro.com).

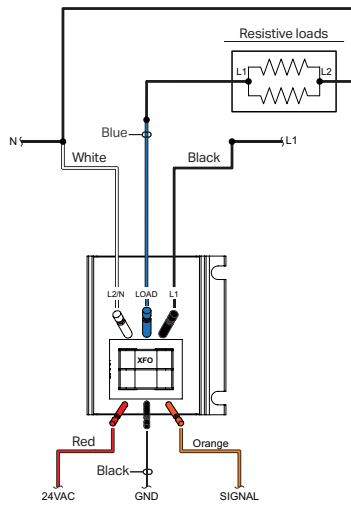


# CONNECTION AND INSTALLATION

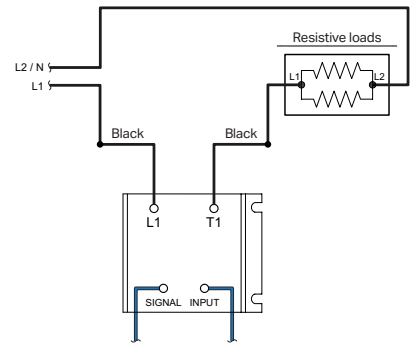
CCT-15-1-S



CTT-15-1-ST-347

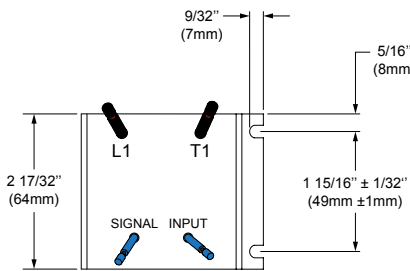


CCT-06-1-S

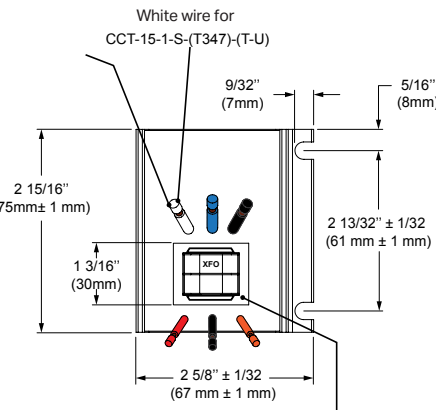


# DIMENSIONS

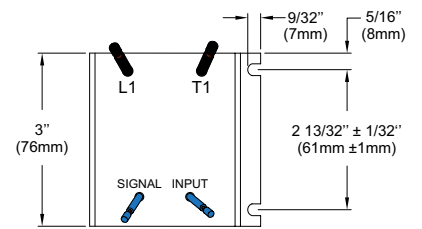
FRONT VIEW | CCT-15-1-S



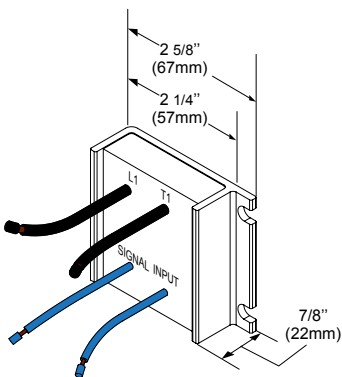
FRONT VIEW | CTT-15-1-ST-347



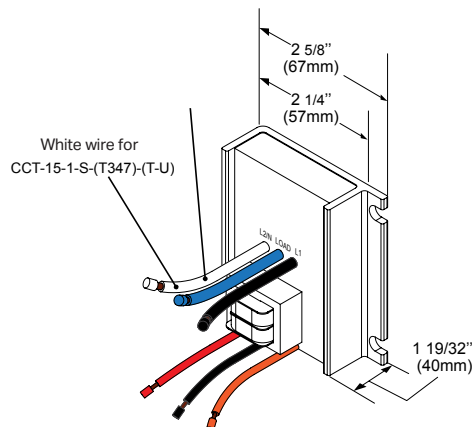
FRONT VIEW | CCT-06-1-S



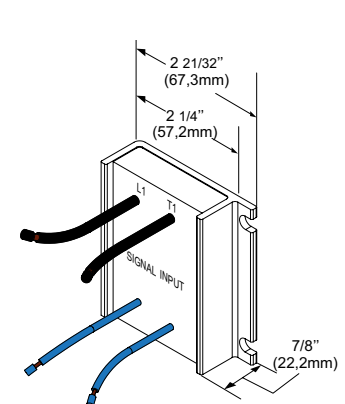
ISOMETRIC VIEW | CCT-15-1-S



ISOMETRIC VIEW | CTT-15-1-ST-347



ISOMETRIC VIEW | CCT-06-1-S



Stelpro reserves the right to modify at any time the description, manufacturing, or price of its products. Additionally, Stelpro may apply restocking fees or refuse a refund based on one or more of the following criteria: optional color, custom product, assembly with low-demand options. For the latest product information and prices regarding the products, please visit the website [www.stelpro.com](http://www.stelpro.com).