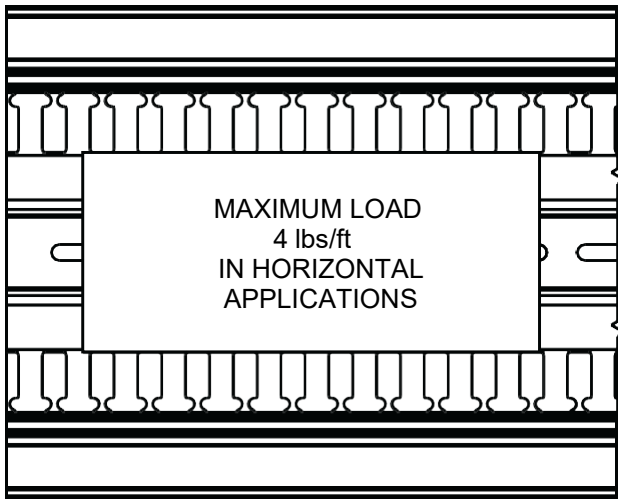


Component Weight and Temperature Compatibility

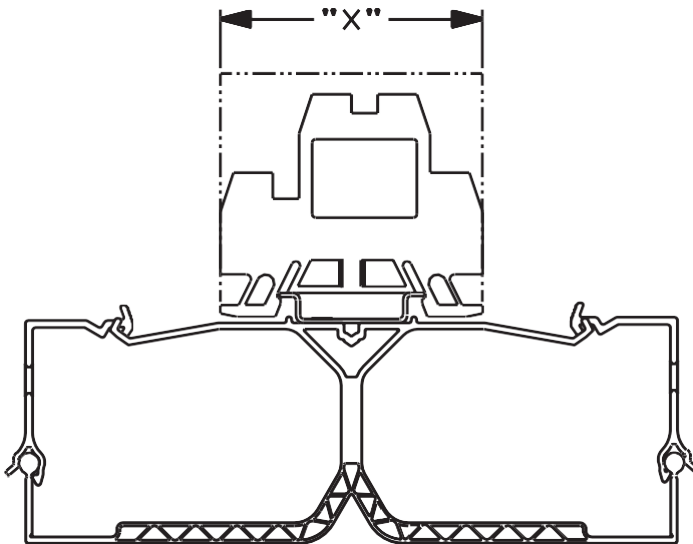


DIN Rail Wiring Duct is designed for use up to but not exceeding the UL recognized continuous use temperature, **50°C (122°F)**. Prolonged exposure to higher temperatures is not recommended and can damage product.



Do not mount heat-generating components such as drives or power supplies to DIN Rail Wiring Duct.

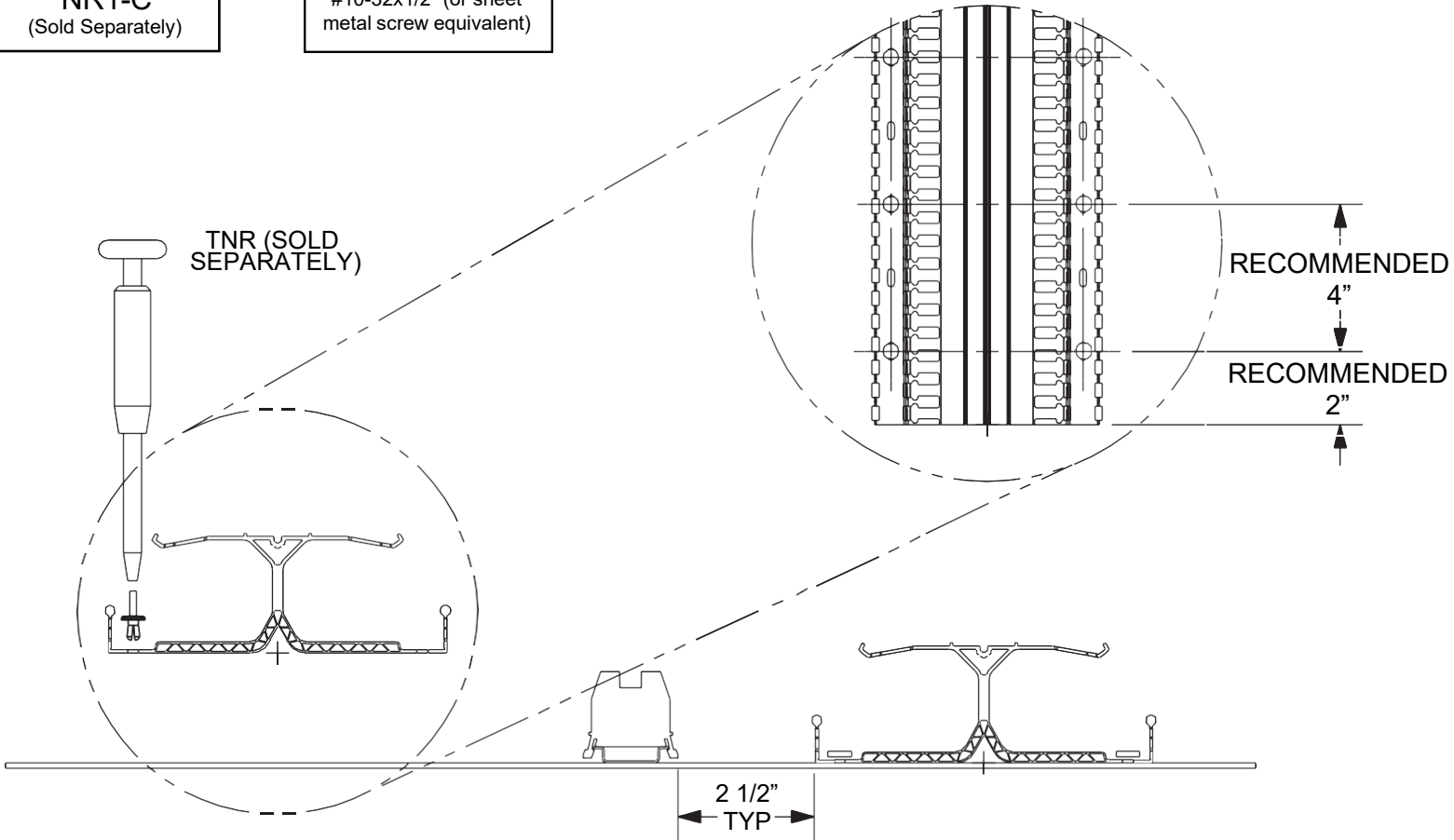
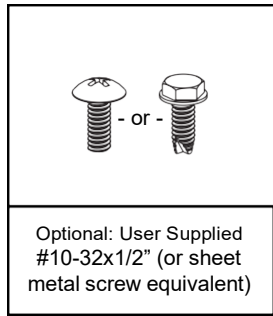
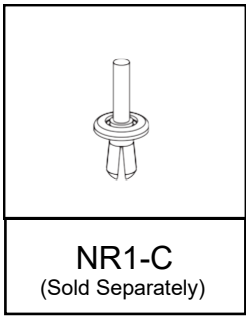
Component Width Compatibility



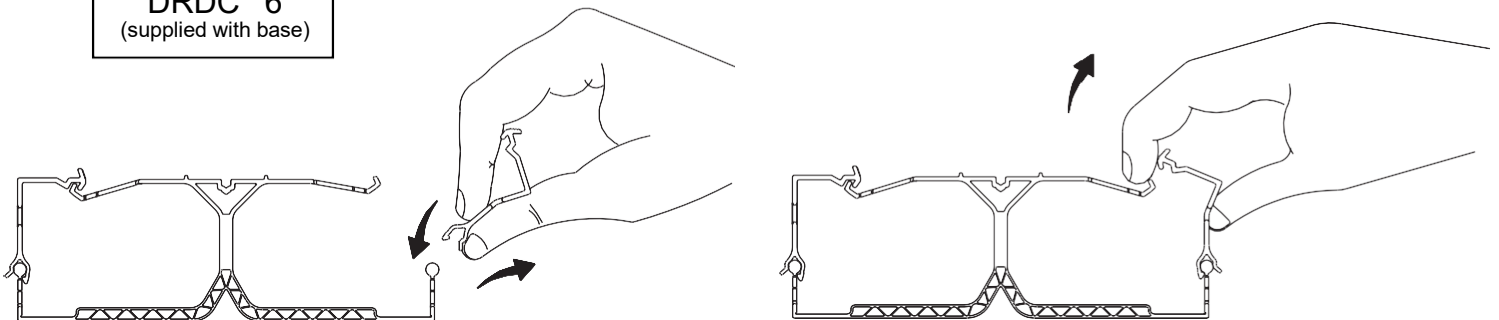
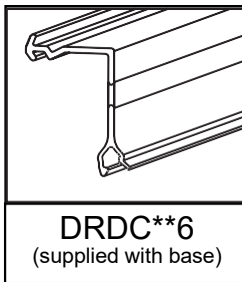
DIN Rail Wiring Duct	Recommended Maximum Component Width "X"
DRD22**6	2 5/8"
DRD33**6	2 5/8"
DRD44**6	3 5/8"

Component use within recommended maximum width ensures top wire slots are fully accessible.

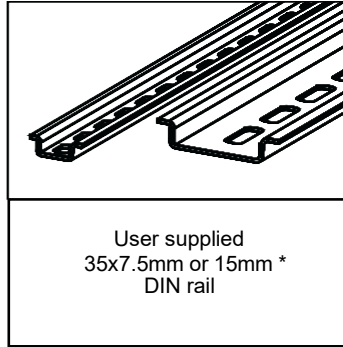
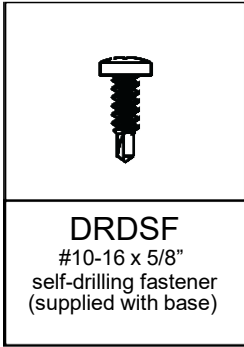
DIN Rail Wiring Duct Installation and Fastener Spacing



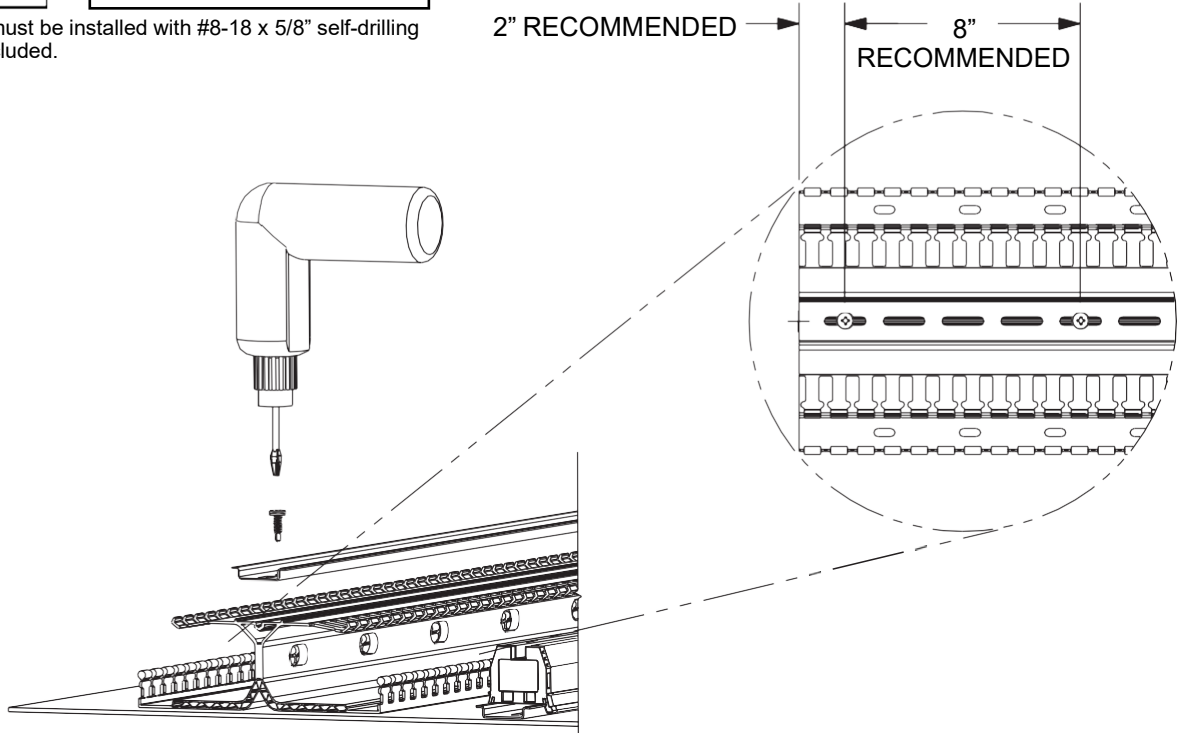
Cover Installation, Operation, and Removal



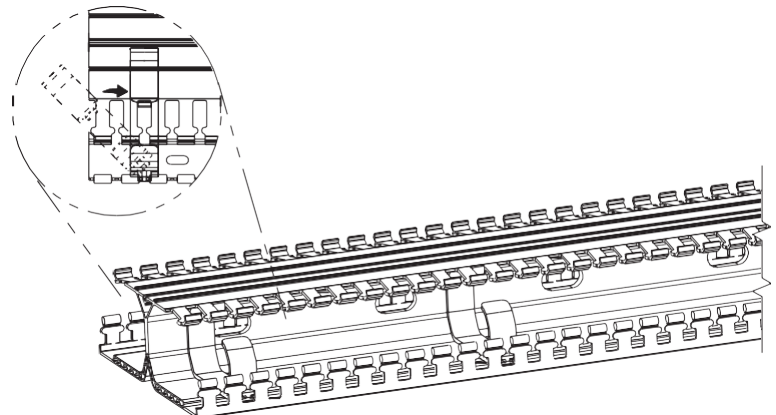
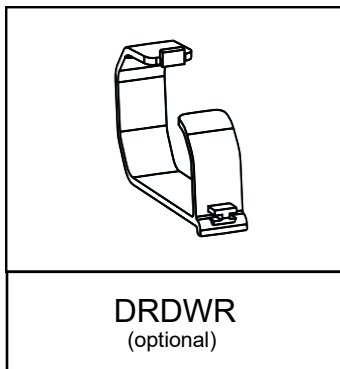
Installing Rail to DIN Rail Wiring Duct



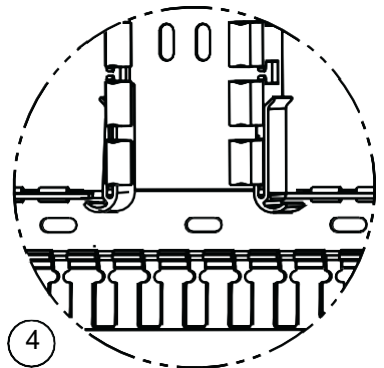
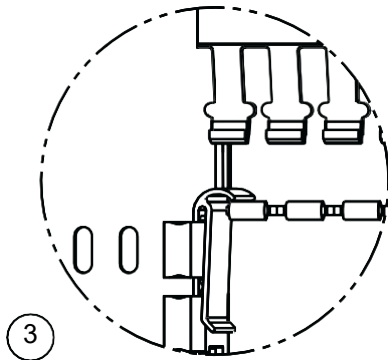
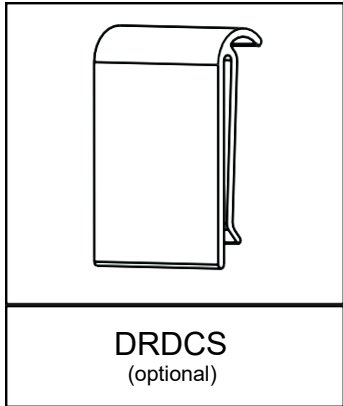
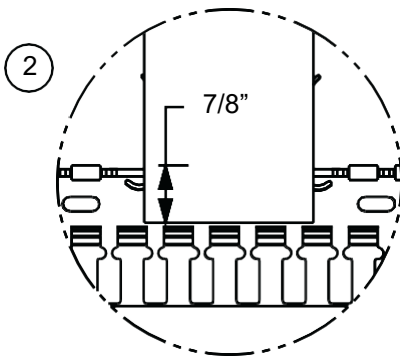
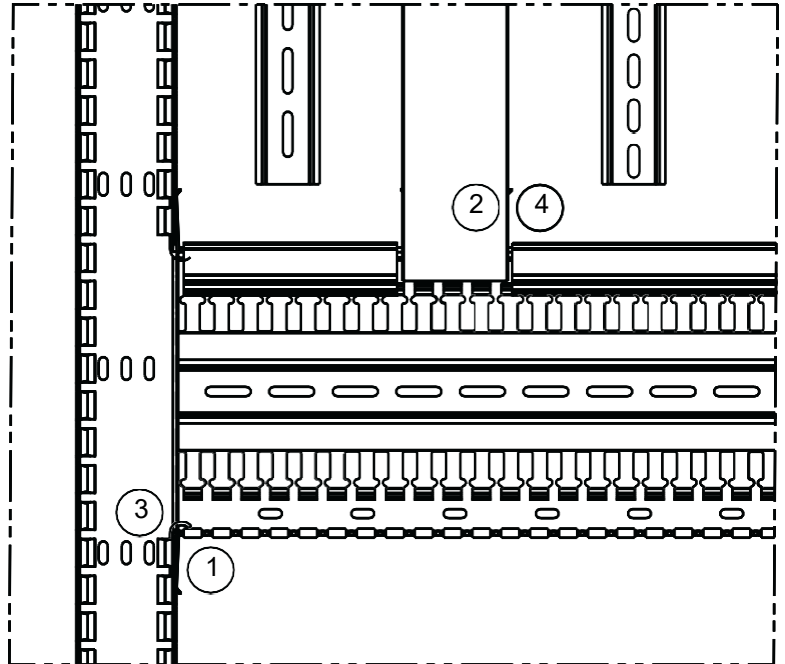
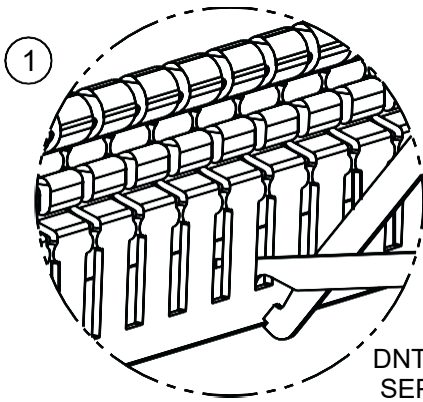
* 15mm DIN rail must be installed with #8-18 x 5/8" self-drilling fastener, not included.



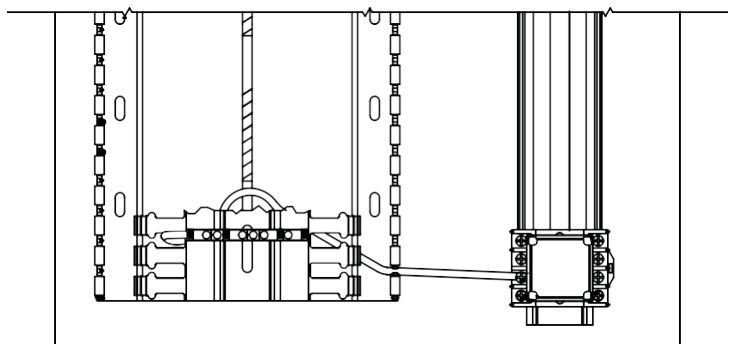
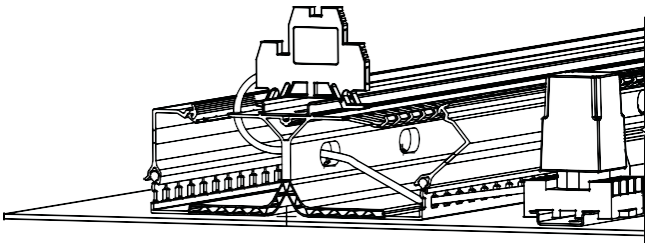
Optional Wire Retainer



Transitions to Conventional Wiring Duct and Optional Corner Strip

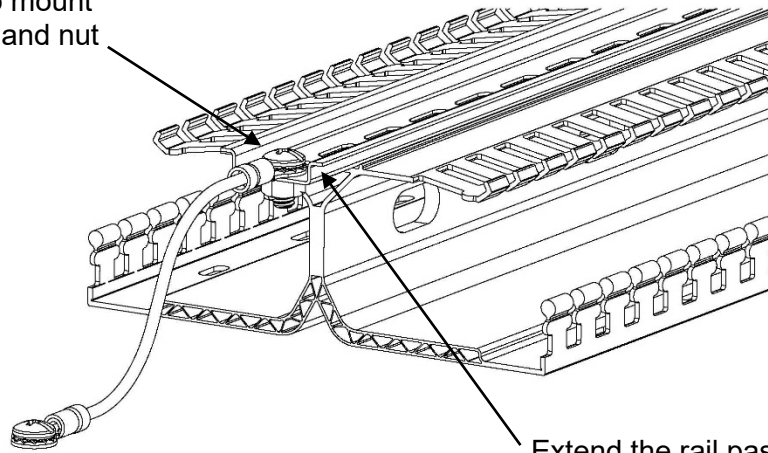


Utilizing Pass Through Holes to Shorten Wiring Path



Grounding DIN Rail

Use slot or drill and tap to mount a ring with bolt, washers, and nut



Extend the rail past the end of duct

Attach wire to enclosure via Established wiring standards

For Instructions in Local Languages
and Technical Support:

www.panduit.com/resources/install_maintain.asp

PANDUIT
www.panduit.com

E-mail:
techsupport@panduit.com

Fax:
866-405-6654