

RPNP PLASTIC RUNNING MAN

The RPNP series of commercial or decorative plastic running man signs is designed using durable and lightweight high impact thermoplastic.



FEATURES & SPECIFICATIONS

CIRCUITRY - AC & AC/DC

- LED ultra bright light source
- 120 - 347 VAC Input
- 120 - 347 V/0.08 A/3 W max power consumption
- Emergency DC wattages as follows :
 6 VDC = 2 W,
 12 VDC = 2 W,
 24 VDC = 2 W.

CIRCUITRY - SELF POWERED

- LED ultra bright light source
- 120 - 347 VAC Input
- 120 - 347 V/0.044 A/4 W power consumption
- Ambient temperature 10°C to 35°C
- High-performance, sealed Ni-Cad battery
- 120 Minutes emergency duration (standard)
- Solid state transfer and battery charger

MECHANICAL

- High impact, UV stabilized, thermoplastic construction
- Quick snap faceplates and universal canopy for rapid and simple installation
- Flush wall mount backplate included

APPROVALS

- CSA Certified to C22.2 #141.15, C860

COMPLIANCE

- Meets requirements of ICES-005

OVERVIEW			
LIGHT SOURCE	LED	DC POWER (W)	2
INPUT VOLTAGE (VAC)	120 - 347	DC VOLTAGE (VDC)	6, 12, 24
QUICKSHIP	LED	ICES 005	CSA® Energy Verified Energie Vérifiée

For complete warranty details, please see our terms and conditions in our website

TYPICAL SPECIFICATION



TYPICAL SPECIFICATION

Supply and install Aimlite RPNP Series, high impact thermoplastic Running Man Exit Signs. The sign shall operate with AC DC field selectable 120 to 347 V AC minimum of 120 minutes upon AC failure. The face shall be illuminated by using Nichia LED ultra-bright light source. The sign shall be suitable for wall, end, or ceiling mount and come complete with 3 Running Man fibers for universal direction. The frame and back plate shall be of a field adjustable tapered or flat plastic construction. The sign shall be CSA C22.2 141-15 certified and ICES compliant. The thermoplastic sign shall be Aimlite model number RPNP_____.

QUICK SHIP GUIDE

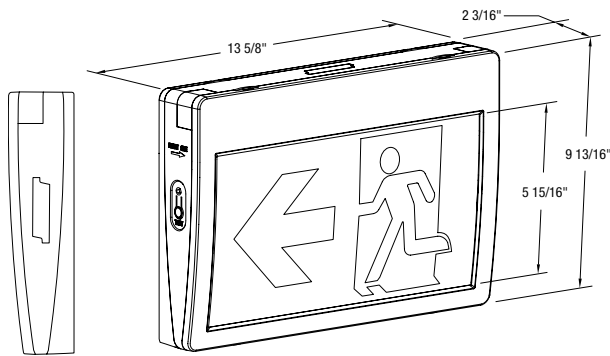
PART NUMBER	DC VOLTS (VDC)	NBR OF FACES	LIGHT SOURCE	INPUT VOLTS (VAC)	COLOR
RPNPUWHT-BAT1-S	BAT	UNIVERSAL	LED	120 - 347	WHITE
RPNPUWHT-UNVDC-S	UNVDC	UNIVERSAL	LED	120 - 347	WHITE

Quick ship product availability is subject to change without notice. Please contact your AimLite customer service representative to confirm inventory levels at time of order.

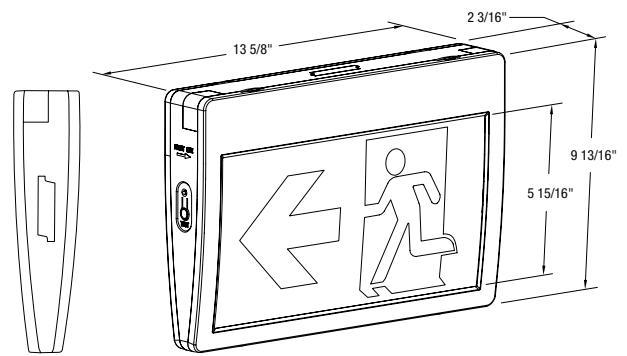
ACCESSORIES (ORDER SEPARATELY)

PART NUMBER	TYPE
FIBER-RPNP	RUNNING MAN FIBER NO ARROW

DIMENSIONS



Flush mount



Tapered mount



Comes standard with three pictogram legends for direction selection.



For double face no arrow options, please order the RPNP along with the following fiber: FIBER-PN-NP.