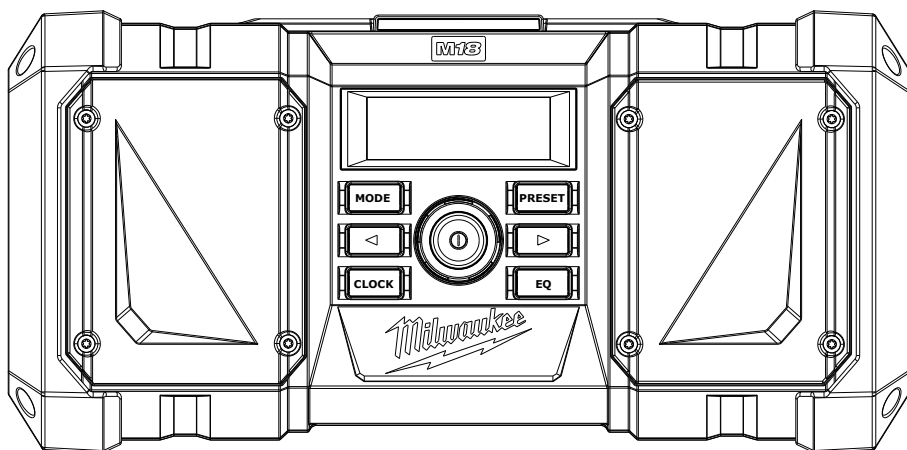




OPERATOR'S MANUAL  
MANUEL de L'UTILISATEUR  
MANUAL del OPERADOR



Cat. No. / No de cat.  
2890-20

**M18**<sup>TM</sup>

**JOBSITE RADIO**  
**RADIO DE CHANTIER**  
**RADIO PARA SITIO DE TRABAJO**



**WARNING** To reduce the risk of injury, user must read and understand operator's manual.

**AVERTISSEMENT** Afin de réduire le risque de blessures, l'utilisateur doit lire et bien comprendre le manuel.

**ADVERTENCIA** Para reducir el riesgo de lesiones, el usuario debe leer y entender el manual.

## IMPORTANT SAFETY INSTRUCTIONS

### **⚠WARNING** READ, UNDERSTAND AND FOLLOW ALL INSTRUCTIONS.

Failure to heed all warnings listed below, may result in electric shock, fire and/or serious personal injury. **KEEP THESE INSTRUCTIONS.**

- Read these instructions.
- Keep these instructions.
- Heed all warnings.
- Follow all instructions.
- Do not use this apparatus near water.
- Clean only with dry cloth.
- Do not block any ventilation openings. Install in accordance with the manufacturer's instructions.
- Do not install near any heat sources such as radiators, heat registers, stoves, or other apparatus (including amplifiers) that produce heat.
- Do not defeat the safety purpose of the polarized or grounding-type plug. A polarized plug has two blades with one wider than the other. A grounding type plug has two blades and a third grounding prong. The wide blade or the third prong are provided for your safety. If the provided plug does not fit into your outlet, consult an electrician for replacement of the obsolete outlet.
- Protect the power cord from being walked on or pinched particularly at plugs, convenience receptacles, and the point where they exit from the apparatus.
- Only use attachments/accessories specified by the manufacturer.
- Unplug this apparatus during lightning storms or when unused for long periods of time.
- Refer all servicing to qualified service personnel. Servicing is required when the apparatus has been damaged in any way, such as power-supply cord or plug is damaged, liquid has been spilled or objects have fallen into the apparatus, the apparatus has been exposed to rain or moisture, does not operate normally, or has been dropped.
- Only plug power supply into readily accessible outlet to allow the appliance to be unplugged quickly.
- Only operate this apparatus in a well ventilated area.
- A battery operated radio with integral batteries or a separate battery pack must be recharged only with the specified charger for the battery. A charger that may be suitable for one type of battery may create a risk of fire when used with another battery.
- Use battery operated radio only with specifically designated battery packs. Use of any other batteries may create a risk of fire.
- When battery pack is not in use, keep it away from other metal objects like: paper clips, coins, keys, nails, screws, or other small metal objects that can make a connection from one terminal to another. Shorting the battery terminals together may cause sparks, burns, or a fire.

- Store your battery pack and charger in a cool, dry place. Do not store battery pack where temperatures may exceed 120°F (50°C) such as direct sunlight, a vehicle or metal building during the summer.
- Avoid body contact with grounded surfaces such as pipes, radiators, ranges and refrigerators. There is an increased risk of electric shock if your body is grounded.
- Do not use any adaptor plugs.
- To reduce the risk of electric shock, when operating a radio use an extension cord that is rated for correct use.
- Never disassemble the radio or try to do any rewiring on the radio's electrical system.
- Do not expose this apparatus to dripping and splashing, or place objects filled with liquids on this unit.

## SPECIFIC SAFETY RULES

- Maintain labels and nameplates. These carry important information. If unreadable or missing, contact a MILWAUKEE service facility for a free replacement.
- This radio is designed to be powered by a standard 120 volt AC line or AC generator. It may also be powered using a MILWAUKEE M18™ battery pack. Do not attempt to use with any other voltage or power supply.

## **FC** Federal Communications Commission

- ⚠WARNING** Changes or modifications to this unit not expressly approved by the party responsible for compliance could void the user's authority to operate the equipment. This equipment has been tested and found to comply with the limits for a Class B digital device, pursuant to Part 15 of the FCC Rules. These limits are designed to provide reasonable protection against harmful interference in a residential installation. This equipment generates, uses and can radiate radio frequency energy and, if not installed and used in accordance with the instructions, may cause harmful interference to radio communications. However, there is no guarantee that interference will not occur in a particular installation. If this equipment does cause harmful interference to radio or television reception, which can be determined by turning the equipment off and on, the user is encouraged to try to correct the interference by one or more of the following measures:
  - Reorient or relocate the receiving antenna.
  - Increase the separation between the equipment and receiver.
  - Connect the equipment into an outlet on a circuit different from that to which the receiver is connected.
  - Consult the dealer or an experienced radio/TV technician for help.

## EXTENSION CORDS

Double insulated tools can use either a two or three wire extension cord. As the distance from the supply outlet increases, you must use a heavier gauge extension cord. Using extension cords with inadequately sized wire causes a serious drop in voltage, resulting in loss of power and possible tool damage. Refer to the table shown to determine the required minimum wire size.

The smaller the gauge number of the wire, the greater the capacity of the cord. For example, a 14 gauge cord can carry a higher current than a 16 gauge cord. When using more than one extension cord to make up the total length, be sure each cord contains at least the minimum wire size required. If you are using one extension cord for more than one tool, add the nameplate amperes and use the sum to determine the required minimum wire size.

### Guidelines for Using Extension Cords

- If you are using an extension cord, be sure it is marked to indicate it is acceptable for use.
- Be sure your extension cord is properly wired and in good electrical condition. Always replace a damaged extension cord or have it repaired by a qualified person before using it.
- Protect your extension cords from sharp objects, excessive heat and damp or wet areas.
- Unplug all cords during lightning storms or when unused for long periods of time.

Recommended Minimum Wire Gauge For Extension Cords*					
Nameplate Amps	Extension Cord Length				
	25'	50'	75'	100'	150'
0 - 2.0	18	18	18	18	16
2.1 - 3.4	18	18	18	16	14
3.5 - 5.0	18	18	16	14	12
5.1 - 7.0	18	16	14	12	12
7.1 - 12.0	16	14	12	10	--
12.1 - 16.0	14	12	10	--	--
16.1 - 20.0	12	10	--	--	--

\*Based on limiting the line voltage drop to five volts at 150% of the rated amperes.

**CAUTION**

**RISK OF ELECTRIC SHOCK**

**DO NOT OPEN**

CAUTION: TO REDUCE THE RISK OF ELECTRIC SHOCK, DO NOT REMOVE COVER (OR BACK). NO USER-SERVICABLE PARTS INSIDE. REFER SERVICING TO QUALIFIED SERVICE PERSONNEL.

The lightning flash with arrowhead symbol, within an equilateral triangle, is intended to alert the user to the presence of uninsulated "dangerous voltage" within the product's enclosure that may be of sufficient magnitude to constitute a risk of electric shock to persons.

The exclamation point within an equilateral triangle is intended to alert the user to the presence of important operating and maintenance (servicing) instructions in the literature accompanying the appliance.

## GROUNDING

### Double Insulated Radios: Radios with Two Prong Plugs

Radios marked "Double Insulated" do not require grounding. They have a special double insulation system which satisfies OSHA requirements and complies with the applicable standards of Underwriters Laboratories, Inc., the Canadian Standard Association and the National Electrical Code. Double Insulated radios may be used in either of the 120 volt outlets shown in Figures A and B.

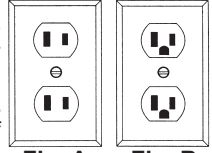


Fig. A

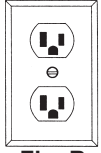


Fig. B

## SPECIFICATIONS

Cat. No. ....	2890-20
AC Volts .....	120
AC Amps .....	0.5
Battery Type .....	M18™
Charger Type .....	M18™
Recommended Ambient Operating Temperature .....	0°F to 125°F

## SYMBOLGY



To reduce the risk of injury, user must read operator's manual



Volts



Alternating Current



Amps



Hertz



UL Listing for Canada and U.S.



Federal Communications Commission



Approval Mark for Mexico



Double Insulated



Presence of important operating instructions



**CAUTION** Risk of electric shock

## FUNCTIONAL DESCRIPTION

## ASSEMBLY

**⚠WARNING** Recharge only with the charger specified for the battery. For specific charging instructions, read the operator's manual supplied with your charger and battery.

### Inserting/Removing Battery Pack

Insert the battery pack by sliding it into the battery bay.

To **remove** the battery pack, pull the battery pack off of the bay.

### Low Battery Indicator

When the radio is powered by a battery pack, a low battery indicator will be displayed when the battery pack needs to be charged.

### Battery Pack Protection

To protect the life of the battery pack, the radio will shut off when the battery's charge becomes too low. If this happens, remove the battery pack and charge it according to the charger's instructions.

### Installing an Auxiliary Device

Open the Auxiliary Compartment to connect an MP3 player, CD player, or other audio device using the stereo auxiliary jack. Small devices (less than 3-1/4" wide, 7-1/4" high, and 1-1/8" thick) can be stored in the compartment during use.

### USB Power Outlet

This jack can be used to charge a cell phone, power a CD player or any other device that uses less than 2.1 A of DC electrical current. Function will only occur when the radio is plugged into an outlet, or the radio is on and an M18™ battery pack is inserted. The USB Power Outlet will not function off of a battery pack with the radio off.

**NOTE:** Any device that uses more than 2.1 A of DC electrical current will trip a self-resetting function and disable the output.

**⚠WARNING** Batteries may leak chemicals or may explode if used incorrectly. The following care should be taken to prevent such an incident:

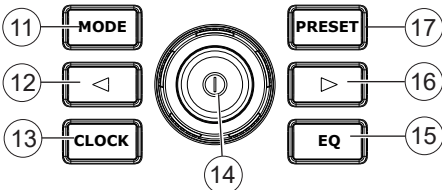
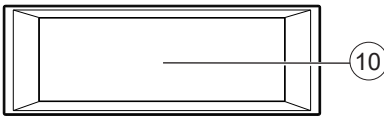
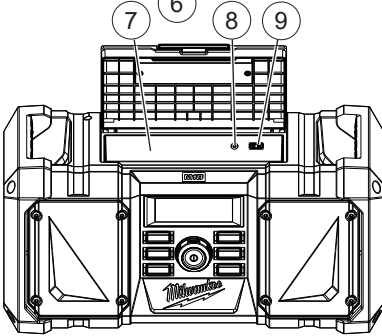
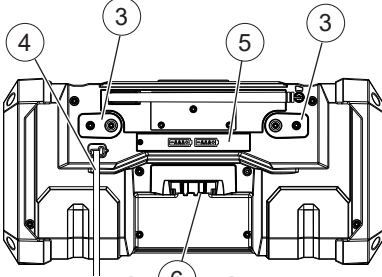
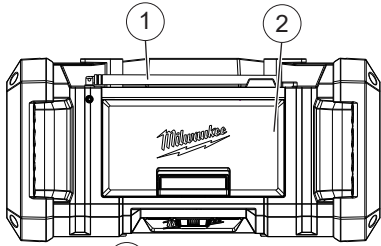
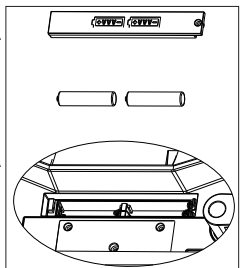
- Make sure the positive (+) and negative (-) battery terminals are positioned correctly.
- Do not mix new and old batteries together, or mix different types of batteries.
- Do not try to recharge non-rechargeable batteries.

If chemicals from the batteries come in contact with your skin, wash them off immediately with water. If chemicals leak onto the radio, clean the radio completely.

### Changing Back-up Batteries

To hold station presets and clock time when the battery pack is removed and the radio is unplugged, 2 AAA batteries are required.

1. Remove battery pack and unplug radio.
2. Remove the screw and battery cover.
3. Insert two (2) AAA batteries according to matching positive (+) and negative (-) marks.
4. Replace the battery cover and screw.



- |                               |                          |
|-------------------------------|--------------------------|
| 1. Antenna                    | 10. Display              |
| 2. Auxiliary compartment      | 11. Mode button          |
| 3. Cord wrap                  | 12. Seek/adjust down     |
| 4. Cord                       | 13. Clock button         |
| 5. Backup-battery compartment | 14. On/off / Volume knob |
| 6. Battery bay                | 15. EQ button            |
| 7. AUX storage                | 16. Seek/adjust up       |
| 8. Stereo AUX jack            | 17. Preset button        |
| 9. USB power outlet           |                          |

## OPERATION

**⚠WARNING** Always remove battery pack before changing or removing accessories. Only use accessories specifically recommended for this tool. Others may be hazardous. To reduce the risk of fire or electric shock, do not expose this radio to rain or moisture.

### 🔌 Turning On/Off and Volume Control

Plug the cord into an appropriate AC outlet or install an M18™ battery pack. Turn the On/off / Volume 🔄 knob to control the power and sound functions.

### Setting the Clock

1. Press and hold the CLOCK button until the hour begins to flash.
2. Use the ◀▶ buttons to change the hour.
3. Press the CLOCK button again. Use the ◀▶ to change the minutes.
4. Press the CLOCK button again to save.

### EQ Adjustment

To manually adjust the Bass/Treble sound, press the EQ button. Set the bass sound using the ◀▶ buttons. Press the EQ button again to set the treble sound, using the ◀▶ buttons.

### Selecting Band

Push the MODE button to select AM, FM, or AUX.

### Tuning (Seeking and Scanning)

Press and hold the ◀▶ buttons to SEEK through the band. When a station is found, the SEEK will stop. Use the SCAN button to continue through the stations, pausing at each.

### PRESET Stations

- To **set** the PRESET stations:
1. Tune to desired station.
  2. Press and hold the PRESET button until the PRESET indicator on the display begins to flash.
  3. Use the ◀▶ buttons to select the PRESET location for the station. Five locations (1-5) are available.
  4. Press the PRESET button to save the location.
- To **tune** to a PRESET station:  
Press and release the PRESET button to step through the PRESET stations.

### Using the Stereo AUX Jack

1. Open the Auxiliary Compartment.
2. Plug the auxiliary device into the Stereo AUX jack.
3. Use the MODE button to select AUX.
4. Start the auxiliary device.

## MAINTENANCE

**⚠WARNING** To reduce the risk of injury, always unplug the charger and remove the battery pack from the charger or tool before performing any maintenance. Never disassemble the tool, battery pack or charger. Contact a MILWAUKEE service facility for ALL repairs.

### Maintaining Tool

Keep your tool, battery pack and charger in good repair by adopting a regular maintenance program. If the tool does not start or operate at full power with a fully charged battery pack, clean the contacts on the battery pack. If the tool still does not work properly, return the tool, charger and battery pack, to a MILWAUKEE service facility for repairs.

**⚠WARNING** To reduce the risk of personal injury and damage, never immerse your tool, battery pack or charger in liquid or allow a liquid to flow inside them.

### Cleaning

Clean dust and debris from any vents. Keep handles clean, dry and free of oil or grease. Use only mild soap and a damp cloth to clean, since certain cleaning agents and solvents are harmful to plastics and other insulated parts. Some of these include gasoline, turpentine, lacquer thinner, paint thinner, chlorinated cleaning solvents, ammonia and household detergents containing ammonia. Never use flammable or combustible solvents around tools.

### Repairs

For repairs, return the tool, battery pack and charger to the nearest authorized service center.

## ACCESSORIES

**⚠WARNING** Always remove battery pack before changing or removing accessories. Only use accessories specifically recommended for this tool. Others may be hazardous. For a complete listing of accessories, go online to [www.milwaukeetool.com](http://www.milwaukeetool.com) or contact a local distributor.

### SERVICE - UNITED STATES

**1-800-SAWDUST (1.800.729.3878)**

Monday-Friday, 7:00 AM - 6:30 PM CST

or visit [www.milwaukeetool.com](http://www.milwaukeetool.com)

Contact Corporate After Sales Service Technical Support with technical, service/repair, or warranty questions.

Email: [metproductsupport@milwaukeetool.com](mailto:metproductsupport@milwaukeetool.com)

Register your tool at [www.milwaukeetool.com](http://www.milwaukeetool.com)...

- to receive important notifications regarding your purchase
- to ensure that your tool is protected under the warranty
- to become a Heavy Duty club member

### SERVICE - CANADA

**Milwaukee Tool (Canada) Ltd**

**1.800.268.4015**

Monday-Friday, 7:00 AM - 4:30 PM CST

or visit [www.milwaukeetool.ca](http://www.milwaukeetool.ca)

## LIMITED WARRANTY USA & CANADA

Every MILWAUKEE power tool\* (see exceptions below) is warranted to the original purchaser only to be free from defects in material and workmanship. Subject to certain exceptions, MILWAUKEE will repair or replace any part on an electric power tool which, after examination, is determined by MILWAUKEE to be defective in material or workmanship for a period of five (5) years\*\* after the date of purchase unless otherwise noted. Return of the power tool to a MILWAUKEE factory Service Center location or MILWAUKEE Authorized Service Station, freight prepaid and insured, is required. A copy of the proof of purchase should be included with the return product. This warranty does not apply to damage that MILWAUKEE determines to be from repairs made or attempted by anyone other than MILWAUKEE authorized personnel, misuse, alterations, abuse, normal wear and tear, lack of maintenance, or accidents.

**Normal Wear:** Many power tools need periodic parts replacement and service to achieve best performance. This warranty does not cover repair when normal use has exhausted the life of a part including, but not limited to, chucks, brushes, cords, saw shoes, blade clamps, o-rings, seals, bumpers, driver blades, pistons, strikers, lifters, and bumper cover washers.

\*This warranty does not cover Air Nailers & Staplers; Airless Paint Sprayer; Cordless Battery Packs; Gasoline Driven Portable Power Generators; Hand Tools; Hoist - Electric, Lever & Hand Chain; M12™ Heated Gear; Reconditioned Product; and Test & Measurement Products. There are separate and distinct warranties available for these products.

\*\*The warranty period for Job Site Radios, M12™ Power Port, M18™ Power Source, Jobsite Fan and Trade Titan™ Industrial Work Carts is one (1) year from the date of purchase. The warranty period for the M18 FUEL™ 1" D-Handle High Torque Impact Wrenches, Drain Cleaning Cables, AIRSNAKE™ Drain Cleaning Air Gun Accessories, and REDLITHIUM™ USB Laser Levels is two (2) years from the date of purchase. The warranty period for the M18™ Compact Heat Gun, 8 Gallon Dust Extractor, M18™ Framing Nailers, M18 FUEL™ 1/2" Ext. Anvil Controlled Torque Impact Wrench w/ ONE-KEY™, M18 FUEL™ 1" High Torque Impact Wrench w/ ONE-KEY™, M18 FUEL™ 2 Gal. Compact Quiet Compressor, M12™ Laser Levels, 165' Laser Detector, M12™ 23GA Pin Nailer, and M18 FUEL™ 1/4" Blind Rivet Tool w/ ONE-KEY™, M12 FUEL™ Low Speed Tire Buffer, and the M18 FUEL™ Dual Action Random Orbital Polishers is three (3) years from the date of purchase. The warranty period for the LED in the LED Work Light and the LED Upgrade Bulb for the Work Light is the lifetime of the product subject to the limitations above. If during normal use the LED or LED Bulb fails, the part will be replaced free of charge. Warranty Registration is not necessary to obtain the applicable warranty on a MILWAUKEE power tool product. The manufacturing date of the product will be used to determine the warranty period if no proof of purchase is provided at the time warranty service is requested.

ACCEPTANCE OF THE EXCLUSIVE REPAIR AND REPLACEMENT REMEDIES DESCRIBED HEREIN IS A CONDITION OF THE CONTRACT FOR THE PURCHASE OF EVERY MILWAUKEE PRODUCT. IF YOU DO NOT AGREE TO THIS CONDITION, YOU SHOULD NOT PURCHASE THE PRODUCT. IN NO EVENT SHALL MILWAUKEE BE LIABLE FOR ANY INCIDENTAL, SPECIAL, CONSEQUENTIAL OR PUNITIVE DAMAGES, OR FOR ANY COSTS, ATTORNEY FEES, EXPENSES, LOSSES OR DELAYS ALLEGED TO BE AS A CONSEQUENCE OF ANY DAMAGE TO, FAILURE OF, OR DEFECT IN ANY PRODUCT INCLUDING, BUT NOT LIMITED TO, ANY CLAIMS FOR LOSS OF PROFITS. SOME STATES DO NOT ALLOW THE EXCLUSION OR LIMITATION OF INCIDENTAL OR CONSEQUENTIAL DAMAGES, SO THE ABOVE LIMITATION OR EXCLUSION MAY NOT APPLY TO YOU. THIS WARRANTY IS EXCLUSIVE AND IN LIEU OF ALL OTHER EXPRESS WARRANTIES, WRITTEN OR ORAL, TO THE EXTENT PERMITTED BY LAW. MILWAUKEE DISCLAIMS ANY IMPLIED WARRANTIES, INCLUDING WITHOUT LIMITATION ANY IMPLIED WARRANTY OF MERCHANTABILITY OR FITNESS FOR A PARTICULAR USE OR PURPOSE; TO THE EXTENT SUCH DISCLAIMER IS NOT PERMITTED BY LAW, SUCH IMPLIED WARRANTIES ARE LIMITED TO THE DURATION OF THE APPLICABLE EXPRESS WARRANTY AS DESCRIBED ABOVE. SOME STATES DO NOT ALLOW LIMITATIONS ON HOW LONG AN IMPLIED WARRANTY LASTS, SO THE ABOVE LIMITATION MAY NOT APPLY TO YOU. THIS WARRANTY GIVES YOU SPECIFIC LEGAL RIGHTS, AND YOU MAY ALSO HAVE OTHER RIGHTS WHICH VARY FROM STATE TO STATE.

This warranty applies to product sold in the U.S.A. and Canada only. Please consult the "Service Center Search" in the Parts & Service section of MILWAUKEE's website [www.milwaukeeool.com](http://www.milwaukeeool.com) or call 1.800.SAWDUST (1.800.729.3878) to locate your nearest service facility for warranty and non-warranty service on a Milwaukee electric power tool.

## CONSIGNES DE SÉCURITÉ IMPORTANTES

**⚠️ AVERTISSEMENT** **VOUS DEVEZ LIRE, COMPRENDRE ET SUIVRE TOUTES LES INSTRUCTIONS.** Le non-respect de tous les avertissements figurant dans la liste ci-dessous entraîne un risque de choc électrique, d'incendie et/ou de blessures graves. **CONSERVEZ CES INSTRUCTIONS.**

- Lisez ces instructions.
- Conservez ces instructions.
- Tenez compte de tous les avertissements.
- Suivez toutes les instructions.
- N'utilisez pas cet appareil près d'une pièce d'eau.
- Ne nettoyez l'appareil qu'avec un chiffon sec.
- Ne bloquez pas les ouïes d'aération. Installez l'appareil conformément aux consignes du fabricant.
- N'installez pas l'appareil près de sources de chaleur telles que radiateurs, bouches de chaleurs, poêles ni d'autres appareils (y compris les amplificateurs) qui produisent de la chaleur.
- Ne neutralisez pas la fonction de sécurité de la fiche polarisée ou du type mise à la terre. Une fiche polarisée a deux broches, dont l'une est plus large que l'autre. Une fiche du type à la terre a elle aussi deux broches, plus une de mise à la terre. La broche la plus large et la troisième ont pour but d'assurer votre sécurité. Si la fiche fournie ne se branche pas dans votre prise, demandez à un électricien de remplacer la prise démodée.
- Protégez le cordon d'alimentation pour que personne ne marche dessus ou ne le pince, en particulier au niveau des fiches, des prises de courant et des points où il sort de l'appareil.
- N'utilisez que les raccords ou les accessoires spécifiés par le fabricant.
- Débranchez cet appareil pendant les orages avec éclairs ou en cas d'inutilisation prolongée.
- Faites effectuer toutes les réparations par du personnel d'entretien qualifié. Il est nécessaire de faire réparer la radio lorsqu'elle a subi des dommages quelconques; si, par exemple, le cordon d'alimentation ou la fiche est endommagé, si du liquide a été renversé ou si des objets sont tombés dans la radio, si celle-ci a été exposée à la pluie ou à l'humidité ou si elle ne fonctionne pas normalement.
- Branchez l'alimentation uniquement dans une prise facilement accessible afin de pouvoir débrancher rapidement l'appareil.
- Utilisez uniquement cet appareil dans un lieu bien ventilé.
- Une radio alimentée par batterie intégrée ou par bloc-batteries séparé ne doit être rechargée qu'à l'aide du chargeur spécifié pour la batterie. Un chargeur adapté à un certain type de batterie peut créer un risque d'incendie s'il est utilisé avec d'autres batteries.
- N'utilisez une radio alimentée par batterie qu'avec les blocs de piles spécifiés. L'utilisation de toute autre batterie peut créer un risque d'incendie.
- Lorsque le bloc-batterie n'est pas en service, maintenez-le à l'écart d'autres objets métalliques tels que trombones, pièces de monnaie, clés, clous, vis ou autres petits objets métalliques pouvant connecter une borne à l'autre. La mise en court-circuit des bornes d'une batterie peut entraîner des étincelles, des brûlures ou un feu.



• **Rangez le bloc de piles et le chargeur** dans un endroit sec et frais. Ne rangez pas le bloc de piles dans un endroit où la température pourrait dépasser 50°C (120°F), comme par exemple un véhicule ou une structure métallique en été.

• **Évitez tout contact corporel avec des surfaces mises à la terre telles que la tuyauterie, les radiateurs, les cuisinières, les réfrigérateurs.** Le risque de choc électrique est plus grand si votre corps est en contact avec la terre.

• **N'utilisez pas d'adaptateur de fiche.**

• **Pour réduire le risque de choc électrique, lors de l'utilisation d'une radio, utilisez une rallonge qui est évaluée pour une utilisation correcte.**

• **Ne faites pas vous-même le démontage de la radio ni le rebobinage du système électrique.**

• **N'exposez pas cet appareil à l'égouttement ou aux éclaboussures, ou ne placez pas dessus des objets contenant des liquides.**

## RÈGLES DE SÉCURITÉ PARTICULIÈRE

• **Entretenez les étiquettes et plaques signalétiques.** Les indications qu'elles contiennent sont précieuses. Si elles deviennent illisibles ou se détachent, faites-les remplacer gratuitement à un centre de service MILWAUKEE accrédité.

• **Cette radio est conçue pour fonctionner sur secteur 120 volts standard ou pour être alimentée par groupe électrogène.** Elle peut également être alimentée par un bloc-piles M18™ MILWAUKEE. Ne pas tenter d'utiliser cet outil avec une autre tension ou avec un autre type d'alimentation.



**Federal Communications Commission**

• **AVERTISSEMENT** Les changements ou les modifications apportés à cette unité non expressément approuvés par l'organisme responsable de la conformité peuvent annuler l'autorité de l'utilisateur à utiliser cet équipement.

Cet équipement a été testé et déclaré conforme aux limites des dispositifs numériques de classe B, en vertu de la section 15 des réglementations de la FCC. Ces limites ont pour but de fournir une protection raisonnable contre les interférences nuisibles dans le cadre d'une installation résidentielle. Cet équipement génère, utilise et peut émettre de l'énergie de radiofréquence. Il est donc recommandé de l'installer et de l'utiliser conformément aux instructions afin d'éviter toute interférence nuisible aux communications radio.

Cependant, il n'existe aucune garantie selon laquelle des interférences ne se produiront pas dans le cas d'une installation spécifique. Si cet appareil provoque des interférences nuisibles pour les réceptions radio et télévisées, ce qui peut être déterminé en l'éteignant puis en le rallumant, il est conseillé d'y remédier en suivant l'une ou plusieurs des mesures suivantes:

• Réorienter ou repositionner l'antenne réceptrice.

• Augmenter l'espace entre l'équipement et le récepteur.

• Brancher l'équipement dans une prise sur un circuit différent de celui sur lequel le récepteur est connecté.

• Consulter le concessionnaire ou un technicien radio/TV expérimenté pour obtenir de l'aide.

## CORDONS DE RALLONGE

Pour les outils à double isolation, on peut employer indifféremment un cordon de rallonge à deux ou trois fils. Plus la longueur du cordon entre l'outil et la prise de courant est grande, plus le calibre du cordon doit être élevé. L'utilisation d'un cordon de rallonge incorrectement calibré entraîne une chute de voltage résultant en une perte de puissance qui risque de détériorer l'outil. Reportez-vous au tableau ci-contre pour déterminer le calibre minimum du cordon.

Moins le calibre du fil est élevé, plus sa conductivité est bonne. Par exemple, un cordon de calibre 14 a une meilleure conductivité qu'un cordon de calibre 16. Lorsque vous utilisez plus d'une rallonge pour couvrir la distance, assurez-vous que chaque cordon possède le calibre minimum requis. Si vous utilisez un seul cordon pour brancher plusieurs outils, additionnez le chiffre d'intensité (ampères) inscrit sur la fiche signalétique de chaque outil pour obtenir le calibre minimal requis pour le cordon.

### Directives pour l'emploi des cordons de rallonge

• Si vous utilisez une rallonge, assurez-vous qu'elle est marquée qu'elle est adéquate pour usage.

• Assurez-vous que le cordon de rallonge est correctement câblé et en bonne condition. Remplacez tout cordon de rallonge détérioré ou faites-le remettre en état par une personne compétente avant de vous en servir.

• Tenez votre cordon de rallonge à l'écart des objets rattachés, des sources de grande chaleur et des endroits humides ou mouillés.

• Débranchez tous les cordons pendant les orages avec éclairs ou en cas d'utilisation prolongée.

### Calibres minimaux recommandés pour les cordons de rallonge\*

Fiche signalétique Ampères	Longueur du cordon de rallonge (m)				
	7,6	15,2	22,9	30,5	45,7
0 - 2,0	18	18	18	18	16
2,1 - 3,4	18	18	18	16	14
3,5 - 5,0	18	18	16	14	12
5,1 - 7,0	18	16	14	12	12
7,1 - 12,0	16	14	12	10	--
12,1 - 16,0	14	12	10	--	--
16,1 - 20,0	12	10	--	--	--

\*Basé sur une chute de voltage limite de 5 volts à 150% de l'intensité moyenne de courant.



**ATTENTION**

**RISQUE D'ÉLECTROCUTION  
NE PAS OUVRIR**



ATTENTION: POUR RÉDUIRE LE RISQUE D'ÉLECTROCUTION, NE PAS RETIRER LE COUVERCLE (OU LE DOS). NE CONTIENT AUCUNE PIÈCE RÉPARABLE PAR L'UTILISATEUR. CONFIER L'ENTRETIEN À UN PERSONNEL QUALIFIÉ.



Le symbole composé d'un éclair terminé par une flèche, à l'intérieur d'un triangle équilatéral, est destiné à avertir l'utilisateur de la présence d'une « tension dangereuse » sans isolation à l'intérieur du produit d'une force suffisante pour créer un risque d'électrocution des personnes.



Le symbole d'un point d'exclamation, à l'intérieur d'un triangle équilatéral, est destiné à avertir l'utilisateur de la présence d'importantes instructions de fonctionnement et d'entretien (de service) dans la documentation accompagnant le dispositif.

## MISE A LA TERRE

### Radios à double isolation :

#### Radios munies de fiches à deux broches.

Les radios marquées « Double Insulation » (double isolation) n'ont pas besoin d'être raccordées à la terre. Elles sont pourvues d'une double isolation conforme aux exigences de l'OSHA et satisfait aux normes de l'Underwriters Laboratories, Inc., de l'Association canadienne de normalisation (ACNOR) et du « National Electrical Code » (code national de l'électricité). Les radios à double isolation peuvent être branchées sur n'importe laquelle des prises à 120 volts illustrées ci-contre aux figures A et B.

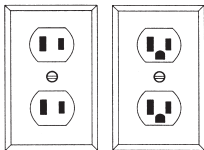


Fig. A Fig. B

## SPECIFICATIONS

No de Cat.....	2890-20
Volts c.a.....	120
Ampères.....	0,5
Type de batterie.....	M18™
Type de chargeur.....	M18™
Température ambiante de fonctionnement recommandée.....	-18°C à 50°C (0°F à 125°F)

## PICTOGRAPHIE



Afin de réduire le risque de blessures, l'utilisateur doit lire le manuel de l'utilisateur



Volts



Courant alternatif



Ampères



Hertz



UL Listing Mark pour Canada et États-unis



Federal Communication Commission



Los estándares Mexicanos de la seguridad



Double Isolation

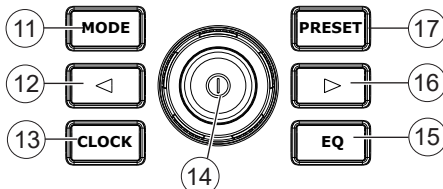
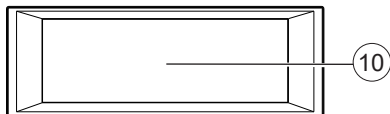
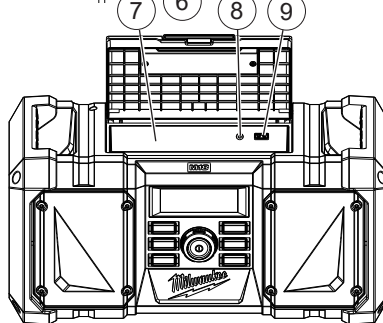
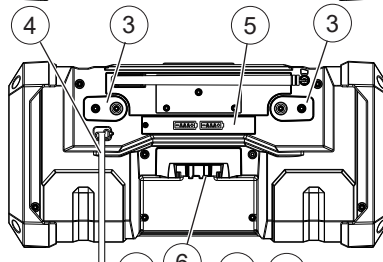
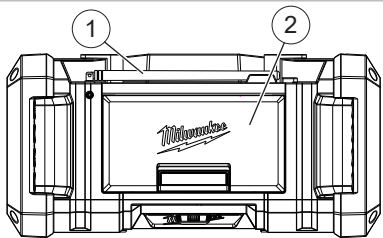


Présence de consignes importantes d'utilisation



**ATTENTION** Risque de choc électrique

## DESCRIPTION FONCTIONNELLE



- |                                    |  |
|------------------------------------|--|
| 1. Antenne                         | 10. Afficheur                              |
| 2. Compartiment de auxiliaire      | 11. Bouton « Mode » (Mode)                 |
| 3. Rembobineur                     | 12. Bouton Rechercher/ régler vers le bas  |
| 4. Cordon                          | 13. Bouton « Clock » (Horloge)             |
| 5. Compartiment de pile de secours | 14. Bouton Marche/ Arrêt/Volume            |
| 6. Compartiment de pile            | 15. Bouton « EQ » (Égalisateur)            |
| 7. Compartiment auxiliaire         | 16. Bouton Rechercher/ régler vers le haut |
| 8. Prise stéréo AUX                | 17. Bouton « Preset » (Préréglage)         |
| 9. Prise d'alimentation USB        |  |



## MONTAGE DE L'OUTIL

**⚠ AVERTISSEMENT** Il faut toujours retirer la batterie avant de changer ou d'enlever les accessoires. L'emploi d'accessoires autres que ceux qui sont expressément recommandés pour cet outil peut comporter des risques. Insertion et retrait de la batterie

Insérer le bloc-piles en le glissant dans le compartiment des piles.

Pour retirer la pile, la tirer hors du compartiment des piles.

**Indicateur de faible niveau des piles** 

Lorsque la radio est alimentée par un bloc-piles, l'indicateur de faible niveau des piles s'affiche une fois que le bloc-pile doit être chargé.

### Protection du bloc-piles

Pour prolonger la durée de vie du bloc-piles, la radio s'éteint lorsque le niveau de charge de ce dernier devient trop faible. Si cela se produit, retirer le bloc-piles et le charger conformément aux instructions du chargeur.

### Installation d'un dispositif auxiliaire

Ouvrir le compartiment auxiliaire pour brancher le lecteur MP3, le lecteur de CD ou tout autre dispositif audio au moyen de la prise auxiliaire stéréo. Les petits appareils (dont la largeur est inférieure à 83 mm, [3-1/4"], la hauteur inférieure à 184 mm [7-1/4"] et l'épaisseur inférieure à 29 mm [1-1/8"]) peuvent être entreposés dans le compartiment pendant l'utilisation.

### Prise d'alimentation USB

Cette prise peut être utilisée pour charger un téléphone cellulaire, alimenter un lecteur CD ou tout autre appareil qui utilise un courant électrique continu de moins de 2,1 A. La fonction sera uniquement disponible si la radio est branchée à une prise de courant, ou si elle est sur marche avec un bloc-piles M18™ inséré. La prise de courant USB ne fonctionnera pas si la radio est en arrêt même avec un bloc-piles inséré.

**REMARQUE** : Tout dispositif utilisant un courant électrique continu de plus de 2,1 A déclenchera une fonction de réamorçage automatique et désactivera la sortie d'alimentation.

**⚠ AVERTISSEMENT** Les batteries peuvent laisser fuir des produits chimiques ou risquent d'exploser si elles ne sont pas utilisées correctement. Prenez les précautions suivantes pour empêcher un tel incident :

• Assurez-vous que les bornes positive (+) et négative (-) des batteries sont dans la position correcte.

• N'utilisez pas ensemble des batteries usagées et neuves, ni des batteries de types différents.

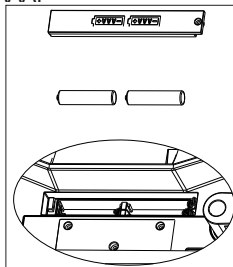
• N'essayez pas de recharger des batteries non rechargeables.

Si des produits chimiques fuyant de batteries touchent votre peau, lavez-la immédiatement avec de l'eau pour les enlever. Si des produits chimiques fuient sur l'appareil, lavez soigneusement celui-ci.

## Changement des piles de secours

Pour conserver les réglages préalables de station et l'horloge en fonction lorsque le bloc-piles de 12 V est retiré et la radio débranchée, il est nécessaire d'utiliser deux piles AAA.

1. Retirer le bloc-piles de 12 V et débrancher la radio.
2. Retirer la vis et le couvercle du compartiment des piles.
3. Insérer deux (2) piles AAA en alignant les bornes positives (+) et les bornes négatives (-).
4. Replacer le couvercle du compartiment des piles et la vis.



## MANIEMENT

**⚠ AVERTISSEMENT** Il faut toujours retirer la batterie et verrouiller la détente de l'outil avant de changer ou d'enlever les accessoires. L'emploi d'accessoires autres que ceux qui sont expressément recommandés pour cet outil peut comporter des risques.

**Afin de réduire le risque de choc électrique ou d'incendie, n'exposez pas cette radio à la pluie ni à l'humidité.**

### Mise en marche/arrêt et réglage du volume

Brancher le cordon dans la prise CA appropriée ou installer un bloc-piles M18™.

Tourner le bouton Marche/Arrêt/Volume  pour contrôler l'alimentation électrique et les fonctions du son.

### Réglage de l'horloge

1. Appuyer sur le bouton « CLOCK » (Horloge) et le tenir enfoncé jusqu'à ce que l'heure commence à clignoter.
2. Utiliser les boutons ◀▶ pour changer l'heure.
3. Appuyer de nouveau sur le bouton « CLOCK » (Horloge). Utiliser le bouton ◀▶ pour changer les minutes.
4. Appuyer de nouveau sur le bouton « CLOCK » (Horloge) pour enregistrer les données.

### Réglage de l'horloge

1. Appuyer sur le bouton « CLOCK » (Horloge) et le tenir enfoncé jusqu'à ce que l'heure commence à clignoter.
2. Utiliser les boutons ◀▶ pour changer l'heure.
3. Appuyer de nouveau sur le bouton « CLOCK » (Horloge). Utiliser le bouton ◀▶ pour changer les minutes.
4. Appuyer de nouveau sur le bouton « CLOCK » (Horloge) pour enregistrer les données.

### Réglage de l'égalisateur

Pour régler manuellement les graves et les aigus (Bass/Treble), appuyer sur le bouton « EQ » (Égalisateur). Régler les graves à l'aide des boutons ◀▶. Appuyer de nouveau sur le bouton « EQ » (Égalisateur) pour régler les aigus à l'aide des boutons ◀▶.

### Sélection de la bande

Appuyer sur le bouton « MODE » (Mode) pour sélectionner la bande « AM », « FM » ou « AUX » (Auxiliaire).

## Syntonisation (Recherche et balayage)

Appuyer sur les boutons ◀▶ et les tenir enfoncés pour faire défiler la bande. Lorsque la station désirée est trouvée, la recherche est arrêtée. Utiliser le bouton « SCAN » (Balayage) pour continuer de faire défiler les stations, tout en faisant une pause à chacune d'entre elles.

## Stations PRÉRÉGLÉES

Pour **prérégler** des stations :

1. Syntoniser la station désirée.
2. Appuyer sur le bouton « PRESET » (Préréglages) jusqu'à ce que l'indicateur « PRESET » (Préréglages) apparaissant sur l'afficheur commence à clignoter.
3. Utiliser les boutons ◀▶ pour sélectionner l'emplacement préréglé de la station. Dix emplacements (0 à 9) sont disponibles.
4. Appuyer sur le bouton « PRESET » (Préréglages) pour enregistrer l'emplacement.

Pour **syntoniser** une station préréglée :

Appuyer sur le bouton « PRESET » (Préréglages) et le relâcher pour faire défiler les stations préréglées.

## Utilisation de la prise auxiliaire stéréo

1. Ouvrir le compartiment de batterie/auxiliaire.
2. Brancher le dispositif auxiliaire dans la prise auxiliaire stéréo.
3. Utiliser le bouton « MODE » (Mode) pour sélectionner le mode « AUX » (auxiliaire).
4. Mettre en marche le dispositif auxiliaire.

## ENTRETIEN

**⚠ AVERTISSEMENT** Pour minimiser les risques de blessures corporelles, **débranchez le chargeur et retirez la batterie du chargeur ou de l'outil avant d'y effectuer des travaux d'entretien. Ne démontez jamais l'outil, la batterie ou le chargeur. Pour toute réparation, consultez un centre de service MILWAUKEE accrédité.**

## Entretien de l'outil

Gardez l'outil, la batterie et le chargeur en bon état en adoptant un programme d'entretien ponctuel. Si l'outil ne démarre pas ou ne fonctionne pas à pleine puissance alors qu'il est branché sur une batterie complètement chargée, nettoyez les points de contact entre la batterie et l'outil. Si l'outil ne fonctionne toujours pas correctement, renvoyez l'outil, le chargeur et la batterie à un centre de service MILWAUKEE accrédité, afin qu'on en effectue la réparation (voir "Réparations").

**⚠ AVERTISSEMENT** Pour minimiser les risques de blessures ou de dommages à l'outil, **n'immergez jamais l'outil, la batterie ou le chargeur et ne laissez pas de liquide s'y infiltrer.**

## Nettoyage

Débarrassez les tous événements des débris et de la poussière. Gardez les poignées propres, à sec et exemptes d'huile ou de graisse. Le nettoyage doit se faire avec un linge humide et un savon doux. Certains nettoyeurs tels l'essence, la térébenthine, les diluants à laque ou à peinture, les solvants chlorés, l'ammoniaque et les détergents d'usage domestique qui en contiennent pourraient détériorer le plastique et l'isolation des pièces. Ne laissez jamais de solvants inflammables ou combustibles auprès des outils.

## Réparations

Pour les réparations, retournez outil, batterie et chargeur en entier au centre-service autorisé le plus près.

## ACCESSOIRES

**⚠ AVERTISSEMENT** Retirez toujours la batterie avant de changer ou d'enlever les accessoires. L'utilisation d'autres accessoires que ceux qui sont spécifiquement recommandés pour cet outil peut comporter des risques.

Pour une liste complète des accessoires, visiter le site internet [www.milwaukeetool.com](http://www.milwaukeetool.com) ou contactez un distributeur local.

## SERVICE - CANADA

Milwaukee Tool (Canada) Ltd

1.800.268.4015

Monday-Friday, 7:00 AM - 4:30 PM CST

[www.milwaukeetool.ca](http://www.milwaukeetool.ca)

## GARANTIE LIMITÉE - AUX ÉTATS-UNIS ET AU CANADA

Chaque outil électrique\* MILWAUKEE (voir exceptions ci-dessous) est garanti à l'acheteur d'origine uniquement pour être exempt de vices de matériaux et de fabrication. Sous réserve de certaines exceptions, MILWAUKEE réparera ou remplacera toute pièce d'un outil électrique qui, après examen par MILWAUKEE, s'est avérée être affectée d'un vice de matériau ou de fabrication et ce pendant une période de cinq (5) ans\*\* à compter de la date d'achat, sauf indication contraire. Retourner l'outil électrique à un centre de réparation en usine MILWAUKEE ou à un poste d'entretien agréé MILWAUKEE, en port prépayé et assuré. Une copie de la preuve d'achat doit être présentée lors du retour du produit. Cette garantie ne couvre pas les dommages que MILWAUKEE détermine être causés par des réparations ou des tentatives de réparation par quiconque autre que le personnel agréé par MILWAUKEE, ou par des utilisations incorrectes, des altérations, des utilisations abusives, une usure normale, une carence d'entretien ou des accidents.

Usure normale : Plusieurs outils électriques requièrent un remplacement et un entretien périodique de leurs pièces pour un meilleur rendement. Cette garantie ne couvre pas la réparation des pièces due à l'utilisation normale de l'outil, y compris, mais sans s'y limiter, les mandrins, les broches, les cordes, les sabots de scie, les portelames, les joints toriques, les joints, les amortisseurs, les lames d'entraînement, les pistons, les perceurs, les crochets et les rondelles à couvercle amortisseur.

\* Cette garantie ne s'applique pas aux cloueuses-agrafeuses pneumatiques, aux pulvérisateurs à peinture sans air, aux blocs-piles pour outils sans fil, aux génératrices d'alimentation portatives à essence, aux outils à main, aux monte-charges - électriques, à levier et à chaîne, aux vestes chauffantes M12™, aux produits ré-usinés, ni aux produits d'essai et de mesure. Il existe des garanties séparées distinctes pour ces produits.

\*\*La période de garantie applicable pour les radios de chantier, le port d'alimentation M12™, la source électrique M18™, le ventilateur de chantier et les chariots de travail industriels Trade Titan™ est d'une durée d'un (1) an à compter de la date d'achat. La période de garantie pour les M18 FUEL™ 1" chocs à couple élevé à poignée en « D », câbles de nettoyage des drains, les accessoires de pistolet à air de vidange AIRSNAKE™ et les niveaux laser USB REDLITHIUM® est de deux (2) ans à compter de la date d'achat. La période de garantie pour le pistolet thermique compact M18™, dépoussiéreur de 8 gallons, M18™ cloueuses à ossature, M18 FUEL™ 1/2" clé à chocs de enclume prolongé, couple contrôlé avec ONE-KEY™, M18 FUEL™ 1" clé à chocs de couple élevé avec ONE-KEY™, M18 FUEL™ compresseur silencieux compact de 7,6 L, les niveaux laser M12™, détecteur laser de 19,8 m, cloueuse à chevilles 23GA M12™, M18 FUEL™ 6,4 mm riveteuse aveugle avec ONE-KEY™, tampon de pneus basse vitesse M12 FUEL™ et les polisseuses à orbite aléatoire à double action M18 FUEL™ est de trois (3) ans à compter de la date d'achat. La période de garantie couvrant la DEL de la lampe de travail à DEL et l'ampoule améliorée à DEL de la lampe de travail est une garantie à vie du produit soumise aux limitations ci-dessus. En cas de défaillance de la DEL ou de l'ampoule à DEL pendant son utilisation normale, la pièce défectueuse sera remplacée gratuitement.

L'enregistrement de la garantie n'est pas nécessaire pour bénéficier de la garantie en vigueur sur un outil électrique MILWAUKEE. La date de fabrication du produit servira à établir la période de garantie, si aucune preuve d'achat n'est fournie lorsqu'une demande de service sous garantie est déposée.

L'ACCEPTATION DES RECOURS EXCLUSIFS DE RÉPARATION ET DE REMPLACEMENT DÉCRITS DANS LES PRÉSENTES EST UNE CONDITION DU CONTRAT D'ACHAT DE TOUT PRODUIT MILWAUKEE. SI VOUS N'ACCEPTÉZ PAS CETTE CONDITION, VOUS NE DEVEZ PAS ACHETER LE PRODUIT. EN AUCUN CAS, MILWAUKEE NE SAURAIT ÊTRE RESPONSABLE DE TOUT DOMMAGE ACCESSOIRE, SPÉCIAL OU INDIRECT, DE DOMMAGES-INTÉRÊTS PUNITIFS OU DE TOUTE DÉPENSE, D'HONORAIRES D'AVOCAT, DE FRAIS, DE PERTE OU DE DÉLAIS ACCESSOIRES À TOUT DOMMAGE, DÉFAILLANCE OU DÉFAUT DE TOUT PRODUIT, Y COMPRIS NOTAMMENT LES PERTES DE PROFIT. CERTAINS ÉTATS ET PROVINCES NE PERMETTANT L'EXCLUSION OU LA LIMITATION DES DOMMAGES DIRECTS OU INDIRECTS, LES RESTRICTIONS CI-DESSUS PEUVENT NE PAS VOUS ÊTRE APPLICABLES. CETTE GARANTIE EST EXCLUSIVE ET REMPLACE TOUTE AUTRE GARANTIE EXPRESSE, QU'ELLE SOIT VERBALE OU ÉCRITE. DANS LA MESURE PERMISE PAR LA LOI, MILWAUKEE RENONCE À TOUTE GARANTIE IMPLICITE, Y COMPRIS, MAIS SANS S'Y LIMITER, TOUTE GARANTIE IMPLICITE DE QUALITÉ MARCHANDE OU D'ADAPTATION À UNE UTILISATION OU À UNE FIN PARTICULIÈRE. DANS LA MESURE OU UNE TELLE STIPULATION D'EXONÉRATION N'EST PAS PERMISE PAR LA LOI, LA DURÉE DE CES GARANTIES IMPLICITES EST LIMITÉE À LA PÉRIODE APPLICABLE DE LA GARANTIE EXPRESSE, TEL QUE CELA EST DÉCRIT PRÉCÉDEMMENT. CERTAINS ÉTATS ET PROVINCES NE PERMETTANT PAS DE LIMITATION DE DURÉE DES GARANTIES IMPLICITES, LES RESTRICTIONS CI-DESSUS PEUVENT DONC NE PAS VOUS ÊTRE APPLICABLES. LA PRÉSENTE VOUS CONFÈRE DES DROITS LÉGAUX PARTICULIERS; VOUS BÉNÉFICIEZ ÉGALEMENT D'AUTRES DROITS QUI VARIENT D'UN ÉTAT À UN AUTRE.

Cette garantie s'applique aux produits vendus aux États-Unis et au Canada uniquement.

Veuillez consulter la rubrique Centre SAV Milwaukee, dans la section Pièces et Services du site Web de MILWAUKEE, à l'adresse [www.milwaukeetool.com](http://www.milwaukeetool.com), ou composer le 1-800-SAWDUST (1-800-729-3878) afin de trouver le centre de service de votre région le plus proche pour l'entretien, sous garantie ou non, de votre outil électrique Milwaukee.

## INSTRUCCIONES IMPORTANTES DE SEGURIDAD

**⚠️ ADVERTENCIA** **LEA, ENTIENDA Y SIGA TODAS LAS INSTRUCCIONES.** El incumplimiento de todas las advertencias indicadas a continuación, puede resultar en choque eléctrico, incendio o lesiones personales graves. **CONSERVE ESTAS INSTRUCCIONES.**

- **Lea estas instrucciones.**
- **Conservé estas instrucciones.**
- **Observe todas las advertencias.**
- **Siga todas las instrucciones.**
- **No use este aparato cerca del agua.**
- **Limpie sólo con un paño seco.**
- **No bloquee las aberturas de ventilación.** Instale la unidad de conformidad con las instrucciones del fabricante.
- **No instale la unidad cerca de fuentes de calor** como radiadores, registros de calefacción, estufas u otros aparatos (incluso amplificadores) que producen calor.
- **No anule el propósito de seguridad del enchufe polarizado o con conexión a tierra.** Un enchufe polarizado tiene dos patillas y una es más ancha que la otra. Un enchufe con conexión a tierra tiene dos patillas y una tercera espiga de conexión a tierra. La patilla ancha o la tercera espiga se proporcionan para su seguridad. Si el enchufe provisto no encaja en su tomacorriente, consulte con un electricista para el reemplazo del tomacorriente obsoleto.
- **Proteja el cable eléctrico contra pisadas o aplastamiento** particularmente en los enchufes, receptáculos de conveniencia y en el punto donde salen del aparato.
- **Use solamente accesorios especificados por el fabricante.**
- **Desconecte este aparato durante tormentas eléctricas o cuando no se vaya a utilizar por largos periodos de tiempo.**
- **Sólo personal calificado de servicio debe brindar el servicio de mantenimiento.** Se requiere el servicio si la radio sufre daño de cualquier manera, si se daña el cordón eléctrico o el enchufe, si se derrama líquido o se introducen objetos en el interior de la radio, si se expone la radio a la lluvia o a la humedad o si no funciona normalmente.
- **Desconecte la alimentación eléctrica del tomacorriente cuando no se utilice el instrumento.**

• **Sólo enchufe la alimentación eléctrica en un tomacorriente de fácil acceso para que el artefacto pueda desenchufarse rápidamente.**

• **Las radios que funcionen con baterías, sean éstas integradas o parte de un paquete separado de baterías, se han de recargar solamente con el cargador especificado para dichas baterías.** Un cargador apropiado para un tipo de baterías podría crear un riesgo de incendio si se lo usa con otra batería.

• **Use un radio alimentado por baterías solamente con las baterías específicamente indicadas.** El uso de otro tipo de baterías puede crear un riesgo de incendio.

• **Cuando el paquete de baterías no esté en uso, manténgalo alejado de objetos metálicos como: sujetapapeles, monedas, llaves, clavos, tornillos u otros objetos metálicos que puedan establecer una conexión entre los terminales.** El cortocircuito entre los terminales de la batería puede causar chispas, quemaduras o un incendio.

• **Guarde su batería y el cargador en un sitio fresco y seco.** No guarde su paquete de batería en sitios donde la temperatura pueda exceder 50°C (120°F) como puede ser dentro de un vehículo o un edificio de metal durante el verano.

• **Evite el contacto corporal con las superficies conectadas a tierra tales como las tuberías, radiadores, estufas y refrigeradores.** Existe un mayor riesgo de choque eléctrico si su cuerpo está en contacto con una conexión a tierra.

• **No use un adaptador de enchufes.**

• **Para reducir el riesgo de descarga eléctrica, al operar una radio use un cable de extensión que esté clasificado para un uso correcto.**

• **Nunca desarme la radio ni trate de modificar el cableado del sistema eléctrico de la radio.**

• **No exponga este aparato a goteos o salpicaduras, ni coloque objetos llenos de líquidos sobre esta unidad.**

• **Guarde las etiquetas y las placas de especificaciones.** Éstas contienen información importante. Si son ilegibles o están extraviadas, póngase en contacto con un centro de servicio de MILWAUKEE para obtener el reemplazo gratis.

## REGLAS ESPECÍFICAS DE SEGURIDAD

• **Esta radio está diseñada para alimentación eléctrica estándar de 120 V c.a. o con un generador de c.a.** También se puede alimentar con una batería MILWAUKEE M18™. No intente utilizarlo con otro voltaje o fuente de alimentación.

• **ADVERTENCIA:** Los cambios o modificaciones hechos a esta unidad sin la autorización expresa del responsable del cumplimiento de la norma podrían anular la autoridad del usuario para manejar el equipo.

**ADVERTENCIA** Se ha verificado y determinado que este equipo cumple con los límites correspondientes a los dispositivos digitales de Clase B, de acuerdo con la Parte 15 de las Normas de la FCC. Estos límites se han diseñado para garantizar una protección razonable contra interferencias perjudiciales en instalaciones residenciales. Este equipo genera, utiliza y puede radiar energía de radiofrecuencia y, si no se instala y utiliza en conformidad con las instrucciones, puede generar interferencia perjudicial para la radiocomunicación. No obstante, no se garantiza que no se produzca interferencia en una instalación concreta. Si este equipo, en efecto, genera interferencia perjudicial para la recepción de radio o televisión, que se puede determinar apagando y encendiendo el equipo, se insta al usuario a intentar corregir la interferencia tomando una o varias de las siguientes medidas:

- Reorientar o reubicar la antena receptora.
- Aumentar la distancia que separa al equipo del receptor.
- Conectar el equipo a un tomacorriente de otro circuito distinto a aquel que tiene conectado el receptor.
- Solicitar ayuda al distribuidor o a un técnico de radio y televisión experto.

## EXTENSIONES ELÉCTRICAS

Las herramientas con doble aislamiento y clavijas de dos patas pueden utilizarse indistintamente con extensiones de dos a tres cables. El calibre de la extensión depende de la distancia que exista entre la toma de la corriente y el sitio donde se utilice la herramienta. El uso de extensiones inadecuadas puede causar serias caídas en el voltaje, resultando en pérdida de potencia y posible daño a la herramienta. La tabla que aquí se ilustra sirve de guía para la adecuada selección de la extensión.

Mientras menor sea el número del calibre del cable, mayor será la capacidad del mismo. Por ejemplo, un cable calibre 14 puede transportar una corriente mayor que un cable calibre 16. Cuando use más de una extensión para lograr el largo deseado, asegúrese que cada una tenga al menos, el mínimo tamaño de cable requerido. Si está usando un cable de extensión para más de una herramienta, sume los amperes de las varias placas y use la suma para determinar el tamaño mínimo del cable de extensión.

## Guías para el uso de cables de extensión

- Si está usando un cable de extensión, asegúrese que está marcado para indicar que es aceptable para su uso.
- Asegúrese que su cable de extensión está correctamente cableado y en buenas condiciones eléctricas. Cambie siempre una extensión dañada o hágala reparar por una persona calificada antes de volver a usarla.
- Proteja su extensión eléctrica de objetos cortantes, calor excesivo o áreas mojadas.
- Desenchufe todas las extensiones eléctricas durante las tormentas eléctricas o cuando no piense usarlas por mucho tiempo.

Calibre mínimo recomendado para cables de extensiones eléctricas*					
Amperes (En la placa)	Largo de cable de Extensión en (m)				
	7,6	15,2	22,9	30,5	45,7
0 - 2,0	18	18	18	18	16
2,1 - 3,4	18	18	18	16	14
3,5 - 5,0	18	18	16	14	12
5,1 - 7,0	18	16	14	12	12
7,1 - 12,0	16	14	12	10	--
12,1 - 16,0	14	12	10	--	--
16,1 - 20,0	12	10	--	--	--

\*Basado en limitar la caída en el voltaje a 5 volts al 150% de los amperes.

**PRECAUCIÓN**

**RIESGO DE DESCARGA ELÉCTRICA NO ABRIR**

PRECAUCIÓN: PARA REDUCIR EL RIESGO DE UNA DESCARGA ELÉCTRICA, NO quite la cubierta (ni la tapa trasera). En el interior no hay piezas que el usuario pueda reparar. Envíe a servicio con personal de servicio calificado.



El símbolo del rayo con punta de flecha dentro de un triángulo equilátero pretende alertar al usuario de la presencia de "voltaje peligroso" en el interior del producto que puede ser de magnitud suficiente para constituir un riesgo de descarga eléctrica para las personas.



El signo de exclamación dentro de un triángulo equilátero pretende alertar al usuario de la presencia de instrucciones importantes de operación y mantenimiento (servicio) contenidas en los materiales impresos que acompañan al aparato.

## TIERRA

### Radios con doble aislamiento: Radios con enchufes de dos patillas

Los radios con la marca "Double Insulated" (Doble aislamiento) no requieren conexión a tierra. Estas incluyen un sistema especial de doble aislamiento que cumple con los requisitos de OSHA y cumple los estándares aplicables de Underwriters Laboratories, Inc., de la Asociación de Estándares Canadienses y el Código Nacional Eléctrico. Se puede usar los radios con doble aislamiento en cualquiera de los tomacorrientes de 120 volts que se indican en las figuras A y B.

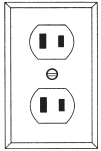


Fig. A

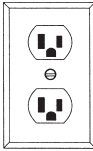
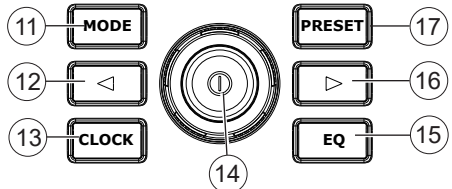
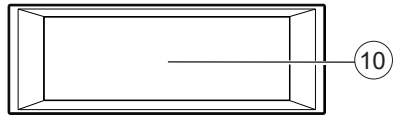
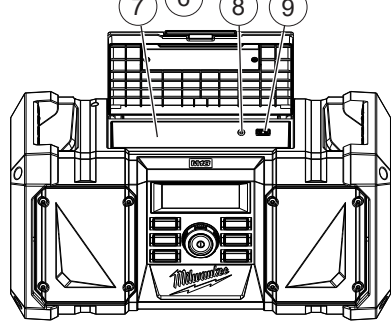
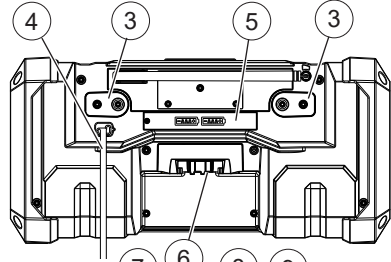
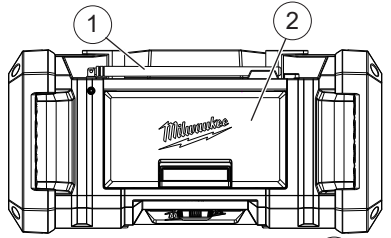


Fig. B

## ESPECIFICACIONES

Cat. No.....	<b>2890-20</b>
Volts de c.a.....	120
Amperes de c.a.....	0,5
Tipo de batería.....	M18™
Tipo de cargador.....	M18™
Temperatura ambiente recomendada para operar.....	-18°C a 50°C (0°F a 125°F)

## DESCRIPCION FUNCIONAL



- |  |   |
|--|---|
| <ul style="list-style-type: none"> <li>1. Antena</li> <li>2. Compartimiento de la auxiliar</li> <li>3. Enrollador de cable</li> <li>4. Cordón</li> <li>5. Compartimiento de la batería de repuesto</li> <li>6. Compartimiento para batería</li> <li>7. Almacenamiento auxiliar (AUX)</li> <li>8. Conector AUX estereofónico</li> <li>9. Tomacorriente USB</li> </ul> | <ul style="list-style-type: none"> <li>10. Pantalla</li> <li>11. Botón Mode (modo)</li> <li>12. Buscar/ajustar hacia abajo</li> <li>13. Botón Clock (reloj)</li> <li>14. Perilla de encendido/apagado/volumen</li> <li>15. Botón EQ (ecualizador)</li> <li>16. Buscar/ajustar hacia arriba</li> <li>17. Botón Preset (preconfigurar)</li> </ul> |
|--|---|



## SIMBOLOGÍA



Para reducir el riesgo de lesiones, el usuario debe leer y entender el manual del operador



Volts



Corriente alterna



Amperes



Hertz



Underwriters Laboratories, Inc.  
Estados Unidos y Canadá



Federal Communication  
Commission



Marca mejicana de la aprobación



Doble aislamiento



Presencia de instrucciones de funcionamiento importantes



**PRECAUCIÓN** Riesgo de choque eléctrico

## ENSAMBLAJE

**ADVERTENCIA** Recargue la batería sólo con el cargador especificado para ella. Para instrucciones específicas sobre cómo cargar, lea el manual del operador suministrado con su cargador y la batería.

### Inserción/Extracción de la batería de la herramienta

Para insertar la batería, deslícela hacia el interior del compartimiento.

Para retirar la batería, tire de la misma y extráigala de la base.

### Indicador de batería baja

Cuando el radio esté funcionando con batería, puede aparecer un indicador de batería baja cuando sea necesario cargar la batería.

### Protección de la batería

Para proteger la vida útil de la batería, la radio se apaga cuando la carga de la batería es demasiado baja. Si esto sucede, retire la batería y cárguela según las instrucciones del cargador.

## Instalación de un dispositivo auxiliar

Abra el compartimiento auxiliar para conectar un reproductor de MP3 o CD, u otro dispositivo de audio usando el enchufe auxiliar de estéreo. Pueden almacenarse dispositivos pequeños (menos de 83 mm [3-1/4"] de ancho, 184 mm [7-1/4"] de alto y 29 mm [1-1/8"] de grueso) en el compartimiento durante el uso.

### Tomacorriente USB

Este conector puede usarse para cargar un teléfono celular, alimentar un reproductor de CD o cualquier otro dispositivo que use menos de 2,1 A de corriente eléctrica CD. La función únicamente ocurrirá cuando el radio esté conectado a un tomacorriente o cuando el radio esté encendido y se inserte una batería M18™. El tomacorriente USB no funcionará con una batería cuando el radio esté apagado.

**NOTA:** Cualquier dispositivo que use más de 2,1 A de corriente eléctrica CD activará una función de restablecimiento automático y deshabilitará la salida del tomacorriente.

**ADVERTENCIA** Las baterías pueden derramar productos químicos o pueden explotar si se las usa erróneamente. Es necesario tomar las siguientes precauciones para evitar un incidente de este tipo:

- Asegúrese de que los terminales positivo (+) y negativo (-) de la batería estén colocados correctamente.

- No mezcle baterías usadas con baterías nuevas, ni mezcle tipos diferentes de baterías.

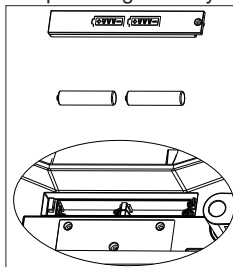
- No intente recargar baterías no recargables.

Si su piel entra en contacto con las sustancias químicas de las baterías, lávese inmediatamente con agua. Si las sustancias químicas penetran en la unidad, limpie completamente la unidad.

### Cambio de las baterías de repuesto

Para mantener las estaciones preconfiguradas y la hora del reloj cuando se retira la batería de 12 V y se desenchufa la radio, se requieren 2 baterías AAA.

1. Retire la batería de 12 V y desenchufe la radio.
2. Retire el tornillo y la tapa de las baterías.
3. Introduzca dos (2) baterías AAA, según las marcas correspondientes, positivo (+) y negativo (-).
4. Vuelva a colocar la tapa de las baterías y el tornillo.





## OPERACION

**⚠ ADVERTENCIA** Para reducir el riesgo de lesiones, extraiga siempre la batería antes de acoplar o desacoplar accesorios. Utilice únicamente accesorios específicamente recomendados para esta herramienta. El uso de accesorios no recomendados podría resultar peligroso.

Para reducir el riesgo de incendio o choque eléctrico, no exponga esta radio a la lluvia ni a la humedad.

### 🔊 Encendido/apagado y control del volumen

Conecte el cable a un tomacorriente CA adecuado o instale una batería M18™.

Gire la perilla de encendido/apagado/volumen 🔊 para controlar la alimentación eléctrica y las funciones de sonido.

### Ajuste del reloj

1. Presione y sostenga el botón CLOCK (reloj) hasta que empiece a destellar la hora.
2. Use los botones ◀▶ para cambiar la hora.
3. Presione de nuevo el botón CLOCK (reloj). Use los botones ◀▶ para cambiar los minutos.
4. Presione de nuevo el botón CLOCK (reloj) para guardar la hora.

### Configuración del reloj

1. Presione y no suelte el botón CLOCK (reloj) hasta que la hora comience a parpadear.
2. Use los botones ◀▶ para cambiar la hora.
3. Presione nuevamente el botón CLOCK (reloj). Use los botones ◀▶ para cambiar los minutos.
4. Presione nuevamente el botón CLOCK (reloj) para guardar los cambios.

### Ajuste del ecualizador

Para ajustar manualmente los sonidos Bass/Treble (bajos/agudos), presione el botón EQ (ecualizador). Configure el sonido de los bajos con los botones ◀▶. Presione nuevamente el botón EQ (ecualizador) para configurar el sonido de los agudos, con los botones ◀▶.

### Selección de banda

Presione el botón MODE (modo) para seleccionar AM, FM o AUX (auxiliar).

### Sintonización (búsqueda y escaneado)

Presione y no suelte los botones ◀▶ para realizar la búsqueda en toda la banda. Cuando se encuentra una estación, se detiene la búsqueda. Use el botón SCAN (escanear) para continuar buscando por las estaciones, haciendo una pausa en cada una de ellas.

### Estaciones preconfiguradas

Para configurar las estaciones preconfiguradas:

1. Sintonice la estación deseada.
2. Presione y no suelte el botón PRESET (preconfigurar) hasta que el indicador de PRESET (preconfigurar), que se muestra en la pantalla, empiece a parpadear.
3. Use los botones ◀▶ para seleccionar la ubicación preseleccionada para la estación. Hay diez ubicaciones (0-9) disponibles.
4. Presione el botón PRESET (preconfigurar) para guardar la ubicación.

Para sintonizar una estación preconfigurada:

Presione y suelte el botón PRESET (preconfigurar) para ir por las estaciones preconfiguradas.

### Uso del enchufe auxiliar de estéreo

1. Abra el compartimiento de la batería/auxiliar
2. Enchufe el dispositivo auxiliar en el enchufe auxiliar de estéreo.
3. Use el botón MODE (modo) para seleccionar AUX (auxiliar).
4. Encienda el dispositivo auxiliar.

## MANTENIMIENTO

**⚠ ADVERTENCIA** Para reducir el riesgo de una lesión, desconecte siempre la herramienta antes de darle cualquier mantenimiento. Nunca desarme la herramienta ni trate de hacer modificaciones en el sistema eléctrico de la misma. Acuda siempre a un Centro de Servicio MILWAUKEE para TODAS las reparaciones.

### Mantenimiento de la herramienta

Adopte un programa regular de mantenimiento y mantenga sus baterías y cargador en buenas condiciones. Si la herramienta no arranca u opera a toda su potencia con una batería completamente cargada, limpie, con una goma o borrador, los contactos de la batería y de la herramienta. Si aun así la herramienta no trabaja correctamente, regrésela, con el cargador y la batería, a un centro de servicio MILWAUKEE para que sea reparada.

**⚠ ADVERTENCIA** Para reducir el riesgo de una explosión, no quemé nunca una batería, aun si está dañada, "muerta" o completamente descargada.

### Limpieza

Limpie el polvo y suciedad de las cualquier ventilas. Mantenga los mangos limpios, secos y libres de aceite o grasa. Use solo jabón neutro y un trapo húmedo para limpiar, ya que algunos sustancias y solventes limpiadores son dañinos a los plásticos y partes aislantes. Algunos de estos incluyen: gasolina, turpentina, thinner, lacas, thinner para pinturas, solventes para limpieza con cloro, amoníaco y detergentes caseros que tengan amonía. Nunca use solventes inflamables o combustibles cerca de una herramienta.

### Reparaciones

Si su herramienta, batería o cargador están dañados, envíela al centro de servicio autorizado más cercano.

## ACCESORIOS

**⚠ ADVERTENCIA** Para reducir el riesgo de lesiones, siempre extraiga la batería antes de cambiar o retirar accesorios. Utilice únicamente accesorios específicamente recomendados para esta herramienta. El uso de accesorios no recomendados podría resultar peligroso.

Para una lista completa de accesorios, visite nuestro sitio en Internet: [www.milwaukeeetool.com](http://www.milwaukeeetool.com) o póngase en contacto con un distribuidor local.

### SOPORTE DE SERVICIO - MEXICO

#### CENTRO DE ATENCION A CLIENTES

Technronic Industries Mexico, S.A. de C.V.

Av. Presidente Masarik 29 Piso 7

11560 Polanco V Seccion

Miguel Hidalgo, Distrito Federal, México

01 (800) 030-7777 o (55) 4160-3540

Lunes a Viernes (9am a 6pm)

O contáctanos en [www.milwaukeeetool.com.mx](http://www.milwaukeeetool.com.mx)

## **GARANTÍA LIMITADA - E.U.A. Y CANADÁ**

Cada herramienta eléctrica de MILWAUKEE (ver excepciones a continuación) está garantizada para el comprador original únicamente de que no tenga material y mano de obra defectuosos. Sujeto a ciertas excepciones, MILWAUKEE reparará o reemplazará cualquier parte en una herramienta eléctrica que tenga defectos de material o mano de obra según lo determine MILWAUKEE mediante una revisión, por un periodo de cinco (5) años\*\* después de la fecha de compra a menos que se indique lo contrario. Al devolver la herramienta eléctrica a un Centro de Servicio de la fábrica de MILWAUKEE o a una Estación de Servicio Autorizada de MILWAUKEE, se requiere que el flete esté pagado por adelantado y asegurado. Se debe incluir una copia del comprobante de compra con el producto devuelto. Esta garantía no aplica a daños que MILWAUKEE determine que son ocasionados por reparaciones o intentos de reparaciones realizados por una persona que no sea personal autorizado de MILWAUKEE, uso indebido, alteraciones, maltrato, desgaste normal, falta de mantenimiento o accidentes.

**Desgaste normal:** Muchas herramientas eléctricas necesitan un reemplazo periódico de partes y servicio para lograr el mejor desempeño. Esta garantía no cubre la reparación cuando el uso normal ha agotado la vida de una parte, incluyendo sin limitar a mandriles, cepillos, cables, zapatas de la sierra, abrazaderas de la hoja, anillos en O, sellos, protectores, hojas de desatornilladores, pistones, herrajes, levantaadores y arandelas de cubierta de los protectores.

\*Esta garantía no cubre clavadoras y grapadoras neumáticas, pistola de pintura a presión, baterías inalámbricas, generadores de energía portátil de gasolina, herramientas de mano, palanca y cadena de mano de polipasto - eléctricas, instrumentaria calefata M12™, producto reacondicionado y productos de prueba y medición. Existen garantías por separado y distintas disponibles para estos productos.

\*\*El periodo de garantía para los radios para obra, puerto de energía M12™, fuente de poder M18™, ventiladores para obra y carretillas de trabajo industrial Trade Titan™ es de un (1) año a partir de la fecha de compra. El periodo de garantía para los M18 FUEL™ 1" llaves de impacto de alto torque con d en empuñadura, cables de limpieza de drenaje y AIRSNAKE™ los accesorios de pistola de aire de limpieza de drenaje, y los niveles láser mediante USB REDLITHIUM® es de dos (2) años a partir de la fecha de compra. El periodo de garantía de la pistola de calor compacta M18™, extractor de polvo de 8 galones, M18™ enmarcar clavadoras, M18 FUEL™ 1/2" yunque prolongado torque controlado llave de impacto con ONE-KEY™, M18 FUEL™ 1" llave de impacto de alto esfuerzo de torsión con ONE-KEY™, M18 FUEL™ de 7,6 L compacto compresor silencioso, los niveles láser M12™, detector láser de 19,8 m, clavadora M12™ 23GA, M18 FUEL™ 6,4 mm ribeteadora ciega con ONE-KEY™, raspador de neumáticos de baja velocidad M12 FUEL™ y las pulidoras de órbita aleatoria de doble acción M18 FUEL™ es de tres (3) años a partir de la fecha de compra. El periodo de garantía de las lámparas de LED en la Lámpara de trabajo LED y el Bulbo mejorado de LED para la Luz de trabajo es por la vida del producto sujeto a las limitaciones anteriores. Si durante el uso normal el LED o Bulbo de LED falla, la parte será reemplazada sin cargo.

No se requiere el registro de la garantía para obtener la garantía correspondiente a un producto de herramienta eléctrica de MILWAUKEE. La fecha de manufactura del producto se utilizará para determinar el periodo de garantía si no se proporciona comprobante de compra al solicitar el servicio en garantía.

LA ACEPTACIÓN DE LOS REMEDIOS EXCLUSIVOS DE REPARACIÓN Y REEMPLAZO AQUÍ DESCRITOS ES UNA CONDICIÓN DEL CONTRATO PARA LA COMPRA DE TODO PRODUCTO DE MILWAUKEE. SI USTED NO ACEPTA ESTA CONDICIÓN, NO DEBE COMPRAR EL PRODUCTO. MILWAUKEE NO SERÁ RESPONSABLE EN NINGÚN CASO DE DAÑOS INCIDENTALES, ESPECIALES, EMERGENTES O PUNITIVOS NI DE NINGÚN COSTO, HONORARIOS LEGALES, GASTOS, PÉRDIDAS O DEMORAS ALEGADOS COMO CONSECUENCIA DE ALGÚN DAÑO, FALLA O DEFECTO EN NINGÚN PRODUCTO, INCLUYENDO, ENTRE OTROS, RECLAMACIONES POR PÉRDIDA DE UTILIDADES. ALGUNOS ESTADOS NO PERMITEN LA EXCLUSIÓN O LIMITACIÓN DE RESPONSABILIDAD POR DAÑOS INCIDENTALES O EMERGENTES,

POR LO QUE LA ANTERIOR LIMITACIÓN O EXCLUSIÓN PODRÍA NO APLICARSE EN SU CASO. ESTA GARANTÍA ES EXCLUSIVA Y REEMPLAZA TODAS LAS DEMÁS GARANTÍAS EXPRESAS, ESCRITAS U ORALES. EN LA MEDIDA EN QUE LO PERMITA LA LEY, MILWAUKEE DESCONOCE CUALQUIER GARANTÍA IMPLÍCITA, INCLUYENDO SIN LIMITACIÓN CUALQUIER GARANTÍA IMPLÍCITA DE COMERCIABILIDAD O IDONEIDAD PARA UN FIN O USO ESPECÍFICO; EN LA MEDIDA EN QUE DICHO DESCONOCIMIENTO NO SEA PERMITIDO POR LA LEY, DICHAS GARANTÍAS IMPLÍCITAS SE LIMITAN A LA DURACIÓN DE LA GARANTÍA EXPRESA CORRESPONDIENTE SEGÚN SE DESCRIBIÓ ANTERIORMENTE. ALGUNOS ESTADOS NO PERMITEN LIMITACIONES SOBRE LA DURACIÓN DE UNA GARANTÍA IMPLÍCITA, POR LO QUE LA ANTERIOR LIMITACIÓN PUDIERA NO APLICARSE A USTED. ESTA GARANTÍA LE DA DERECHOS LEGALES ESPECÍFICOS Y USTED PODRÍA ADEMÁS TENER OTROS DERECHOS QUE VARIAN DE UN ESTADO A OTRO.

Esta garantía aplica al producto vendido en los Estados Unidos y Canadá únicamente.

Consulte la "Búsqueda de centro de servicio" en la sección de Partes y servicio del sitio web de MILWAUKEE en [www.milwaukeetool.com](http://www.milwaukeetool.com) o llame al 1.800.SAWDUST (1.800.729.3878) para localizar su centro de servicio más cercano para darle servicio con y sin garantía a una herramienta eléctrica de Milwaukee.

## **PÓLIZA DE GARANTÍA - VALIDA SOLO PARA MEXICO, AMÉRICA CENTRAL Y EL CARIBE**

La garantía de TECHTRONIC INDUSTRIES es por 5 años a partir de la fecha original de compra.

Esta tarjeta de garantía cubre cualquier defecto de material y mano de obra en ese Producto.

Para hacer válida esta garantía, presente esta tarjeta de garantía, cerrada/sellada por el distribuidor o la tienda donde compró el producto, al Centro de Servicio Autorizado (ASC). O, si esta tarjeta no se ha cerrado/sellado, presente la prueba original de compra a ASC. Llame 55 4160-3547 para encontrar el ASC más cercano, para servicio, partes, accesorios o componentes.

### **Procedimiento para hacer válida esta garantía**

Lleve el producto a ASC, junto con la tarjeta de garantía cerrada/sellada por el distribuidor o la tienda donde compró el producto, y cualquier pieza o componente defectuoso se reemplazará sin costo para usted. Cubriremos todos los costos de flete con relación a este proceso de garantía

### **Excepciones**

Esta garantía no tendrá validez en las siguientes situaciones:

- Cuando el producto se use de manera distinta a la que indica el manual del usuario final o de instrucciones.
- Cuando las condiciones de uso no sean normales.
- Cuando otras personas no autorizadas por TECHTRONIC INDUSTRIES modifiquen o reparen el producto.

**Nota:** si el juego de cables está dañado, tiene que reemplazarse en un Centro de Servicio Autorizado para evitar riesgos eléctricos.

### **CENTRO DE SERVICIO Y ATENCIÓN**

Llame al 55 4160-3547

IMPORTADO Y COMERCIALIZADO POR  
TECHTRONIC INDUSTRIES, MÉXICO, S.A. DE C.V.  
Miguel de Cervantes Saavedra No.301 Piso 5, Torre Norte  
11520 Colonia Ampliación Granada  
Miguel Hidalgo, Ciudad de Mexico, Mexico

**Modelo:** \_\_\_\_\_

**Fecha de Compra:** \_\_\_\_\_

**Sello del Distribuidor:** \_\_\_\_\_

**MILWAUKEE TOOL**  
13135 West Lisbon Road  
Brookfield, Wisconsin, U.S.A. 53005

5814289d5  
09/21

01605000101Q-05(A)  
Printed in China