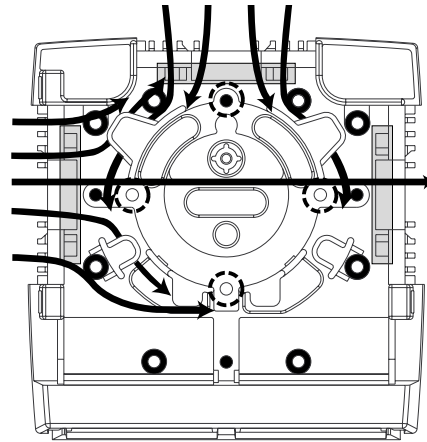
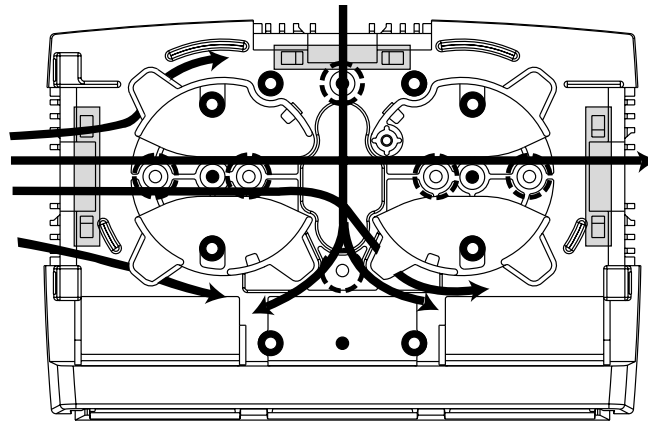
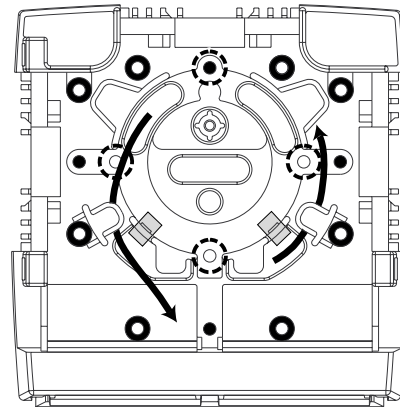
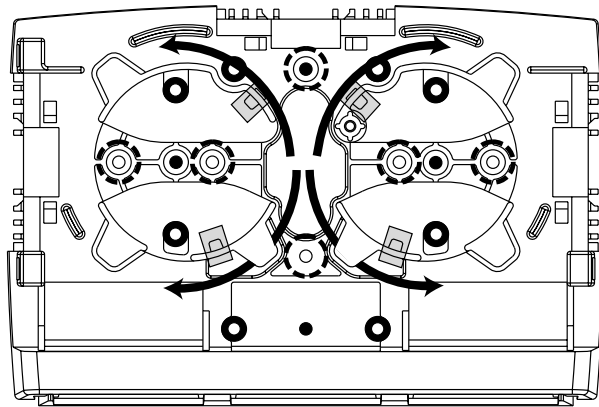


# Recommended Cable Routing

## RACEWAY APPLICATIONS



## WALL APPLICATIONS



## STANDARD MOUNTING HOLE DESIGNATION

(All attachment other than listed four screws recommended)



# WIREMOLD



**Wiremold / Legrand**  
 U.S. and International:  
 60 Woodlawn Street • West Hartford, CT 06110  
 1-800-621-0049 • FAX 860-232-2062 • Outside U.S. 860-233-6251  
 Canada:  
 570 Applewood Crescent • Vaughan, Ontario L4K 4B4  
 1-800-723-5175 • FAX 905-738-9721

41991R1 - Updated July 2005 - For latest specs visit [www.wiremold.com](http://www.wiremold.com)

# WIREMOLD



## 2A Multimedia Surface Mount Boxes

### INSTALLATION INSTRUCTIONS

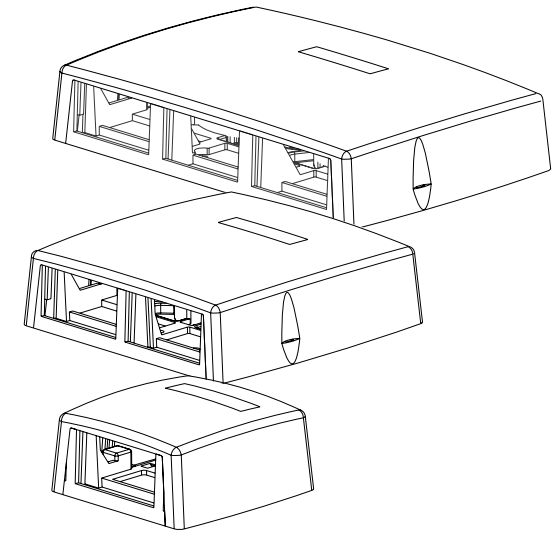
Installation Instruction No.: 41991R1 - Updated July 2005

### OVERVIEW

2A Multimedia Surface Mount Boxes can be mounted utilizing a wide variety of methods. The two larger models mount on standard single and double-gang NEMA or European type service boxes. All models can be affixed to solid surfaces such as drywall or wooden baseboards, or modular furniture partitions. The three sizes also feature easy to remove knock-outs that make them fully compatible with Wiremold surface raceways. The two larger models feature integral fiber storage loops that maintain bend radius requirements and provide one meter of fiber storage. All Multimedia boxes feature a front loading snap-in design and utilize 2A size Communication modules.

Wiremold Electrical Systems conform to and should be installed and properly grounded in compliance with requirements of the current National Electrical Code, Canadian Electrical Code, or codes administered by local authorities.

All electrical products may represent possible shock or fire hazard if improperly installed or used. Wiremold electrical products are UL listed, made for interior use only, and should be installed in conformance with current local and/or the National Electrical Code.



PART NUMBER	DESCRIPTION
CM-MMB-231	1 Insert Box (400/800 Raceway KO's)
CM-MMB-291	1 Insert Box (2700/2800 Raceway KO's)
CM-MMB-571	1 Insert Box (500/700 Raceway KO's)
CM-MMB-232	2 Insert Box (400/800/2300/2300D Raceway KO's)
CM-MMB-292	2 Insert Box (2700/2800/2900 Raceway KO's)
CM-MMB-233	3 Insert Box (400/800/2300/2300D Raceway KO's)
CM-MMB-293	3 Insert Box (2700/2800/2900 Raceway KO's)



Instruction sheets are intended as an aid only in the installation of described products. The Wiremold Company does not assume any liability due to the physical misuse or inappropriate application of the products described herein.

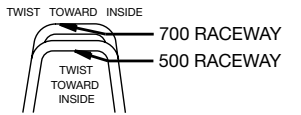
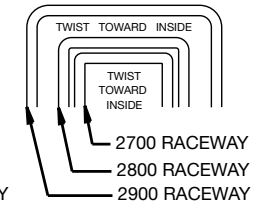
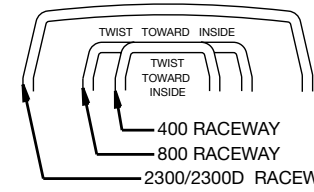
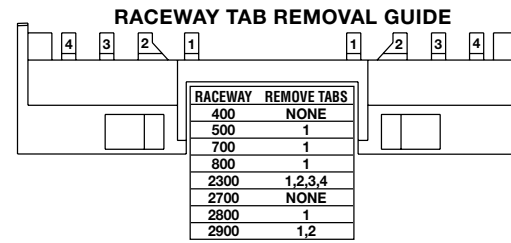


# 2A Multimedia Surface Mount Boxes

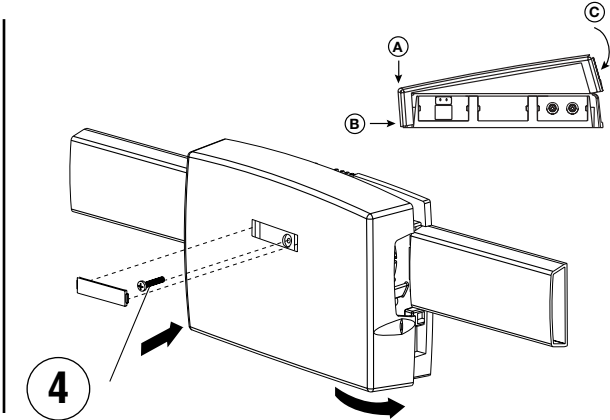
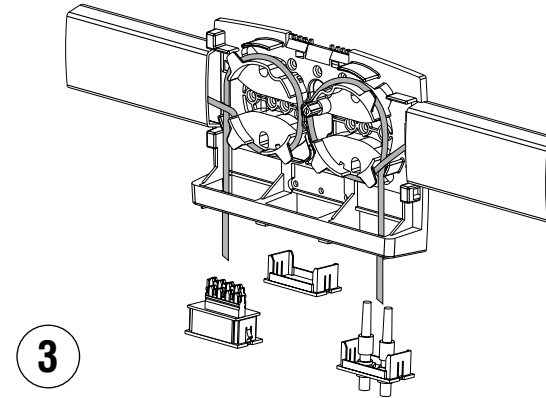
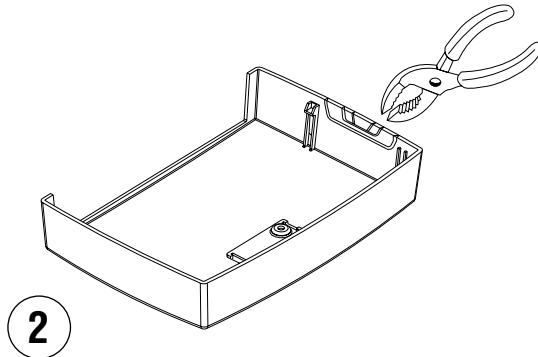
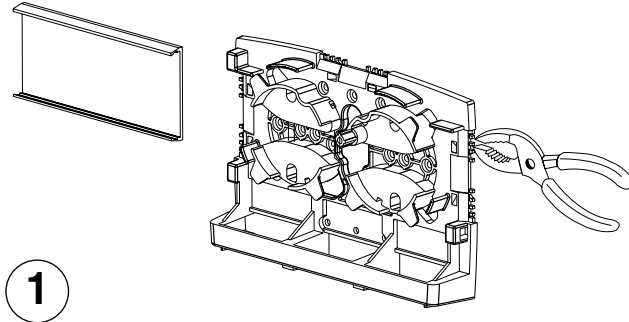
For 400BAC, 800BAC, 2300BAC, 2300BACD Raceway Systems

For 2700, 2800, 2900 Raceway Systems

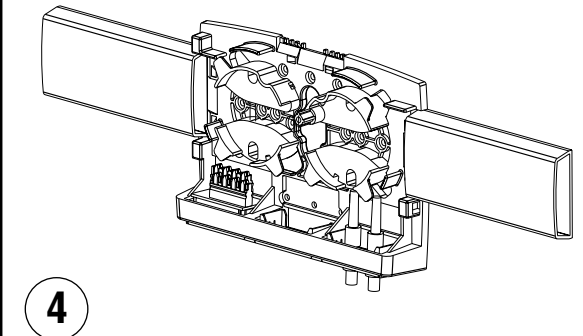
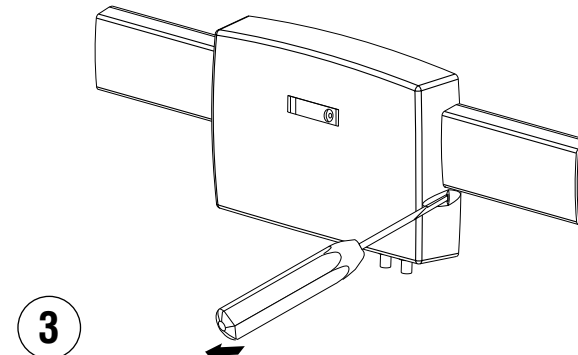
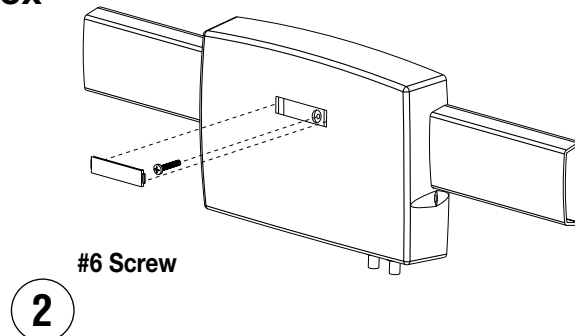
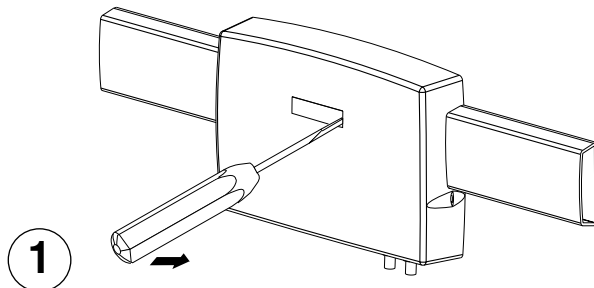
For 500, 700 Raceway Systems



## ASSEMBLY – All Boxes



## DISASSEMBLY – 2 and 3 Module Box



## DISASSEMBLY – 1 Module Box

