

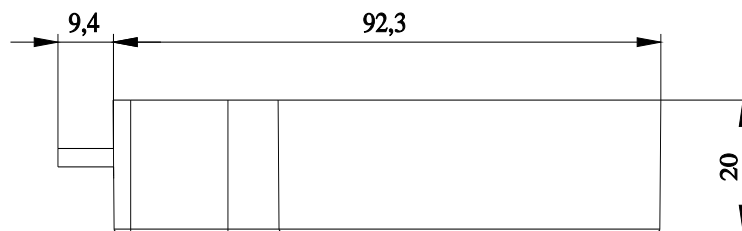
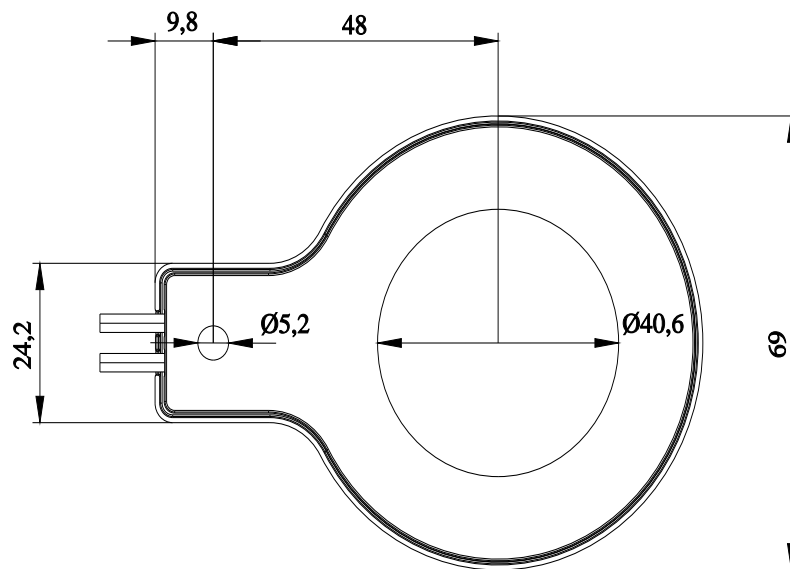
SOLID CORE CT 400:0.1



General technical data	
accuracy class of the current transformer	1.0 S
phase number	3
suitability for operation	SEM3 REPLACEMENT PARTS
Model	
product brand name	SIEMENS
product sub brand name	SEM3
product type designation	SOLIDCORE
General product approval	
certificate of suitability	UL916
<b>General Product Approval</b>	other



[Miscellaneous](#)



last modified:

4/27/2021 

