

DATA SHEET

# VBII Heavy Duty Safety Switch

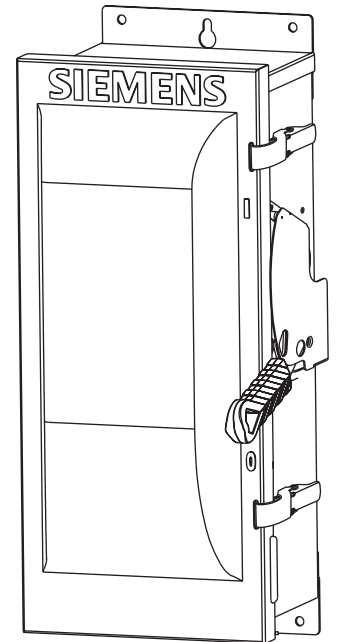
100A, 240V – 600V, Type 12/3R/3S

## Standards and Ratings

- UL and CUL Listed under file #E4776
- Meets UL98 for switches and UL 50 for enclosures
- Meets NEMA Standard KS-1 for enclosed switches
- Rated 10,000 AIC with Class H fuses or 200,000 AIC with Class R, T and J fuses
- Rated 100,000 AIC at 600Vdc with Class R or J fuses
- I<sup>2</sup>t rated (Amps<sup>2</sup> x Seconds = 500,000)
- 12X overload current rating exceeds 10X industry standard
- Suitable for use as service entrance equipment in the US

## Features

- Quick-make and break switching action
- Double break visible blade design
- Highly visible ON/OFF indication
- Rugged installer friendly enclosure design
- Modular design allows quick and easy replacement of parts
- Front removable lugs which can easily be converted to copper body or compression type lugs
- Defeatable dual cover interlock



# Product Specifications

## Heavy Duty 100A, 240 - 600V Type 12/3R/3S

### General Information

Catalog Number	Volts	Description	Shipping Weight (lbs.)
HF223J	240	2 Pole, 2 Wire Fusible	24
HF323J	240	3 Pole, 4 Wire, Fusible	25
HF263J	600	2 Pole, 2 Wire, Fusible	27
HF363J	600	3 Pole, 3 Wire, Fusible	25
HNF263J	600	2 Pole, 2 Wire, Non-Fusible	24
HNF363J	600	3 Pole, 3 Wire, Non-Fusible	24

### Horsepower Ratings <sup>2 3</sup> – 240 Volts

Catalog Number	1 Phase, 240V AC		3 Phase, 240V AC		250V DC
	Std	Max	Std	Max	
HF223J	7-1/2	15	15	30	20
HF323J	7-1/2	15	15	30	20

### Horsepower Ratings <sup>2 3 4</sup> – 600 Volts

Catalog Number	3 Phase, 480V AC		3 Phase, 600V AC		600V DC
	Std	Max	Std	Max	
HF263J	—	— <sup>5</sup>	—	— <sup>5</sup>	50
HF363J	25	60	30	75	25
HNF263J	—	— <sup>5</sup>	—	— <sup>5</sup>	50
HNF363J <sup>6</sup>	—	75	—	100	25

### Mechanical Lug Wire Range (60/75°C, Cu/Al)

Description	Wire Range
Line, Load	#12-1/0 (Al) AWG or
Neutral	#14-1/0 (Cu) AWG
Ground	#14-4 AWG

### Compression Lugs<sup>8</sup>

Wire Size	Burndy		Thomas-Betts		IISCO	
	CU Only	CU/AL	CU Only	CU/AL	CU Only	CU/AL
#6	YA6C-L BOX	YA6CA1	54105	60107	CRB-6	ACL-6
	YA6C		54905BE	61107	CRB-6L	
#4	YA4C-L BOX	YA4CA1	54106	61112	CRB-4	ACL-4
	YA4C		54906BE	60112	CRB-2L	
#2	YA2C-L2 BOX	YA2CA5	54107	61116	CRB-2	ACL-2
	YA2C				CRB-2L	
#1	YA1C-L2	—	54108	61122	CRB-1-14	—
	YA1C		54947BE		CRA-1L	
1/0	—	—	—	61130	—	—

<sup>1</sup> Also rated 3R/3S for outdoor use.

<sup>2</sup> Dual horsepower ratings: Std – applies when non-time delay fuses are installed.  
Max – applies when time-delay fuses are installed.

<sup>3</sup> Horsepower ratings listed also apply to Design E motors with no derating.

<sup>4</sup> Also rated 20HP at 250V DC.

<sup>5</sup> Also rated 30HP at 480V and 40HP at 600V, 1 phase.

<sup>6</sup> Also rated 40HP on 3phase, 240V AC systems.

<sup>7</sup> Place "DOOR" at the end of the switch catalog number.

<sup>8</sup> If compression lugs are used for the neutral, order compression lug neutral barrier kit HCL623.

### Accessories

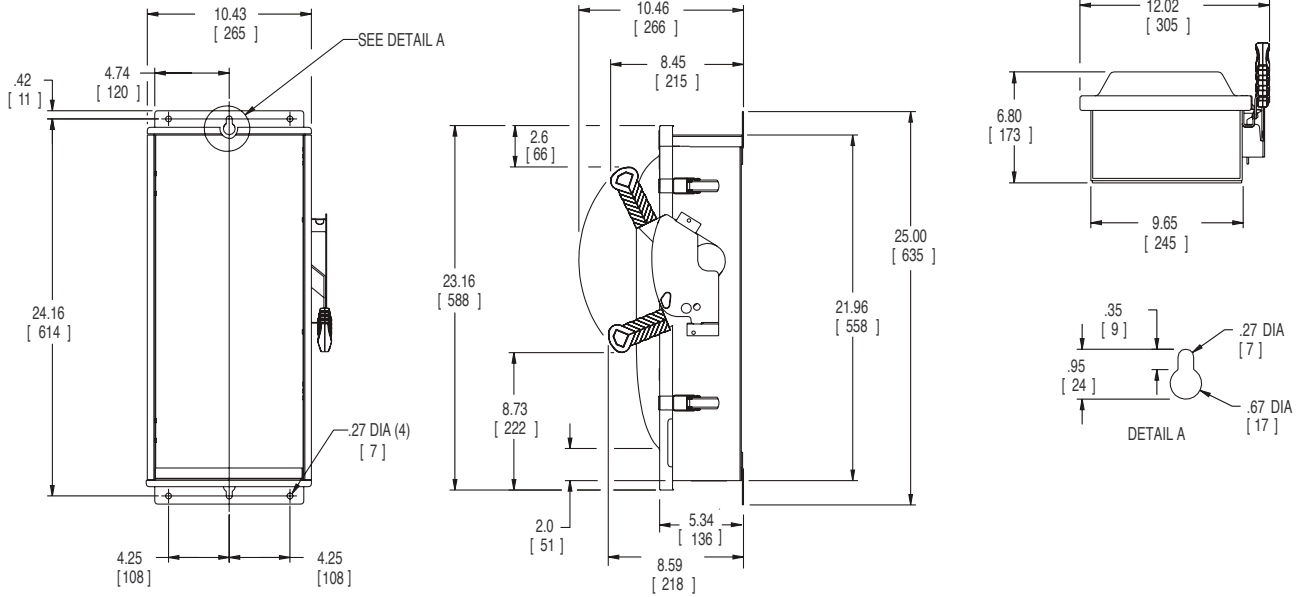
Catalog Number	Description
HSK623B	Add-on internal line-side barrier for service entrance application (per NEC 230.62)
HA161234	One Normally Open and Closed Auxiliary Switches
HA261234	Two Normally Open and Closed Auxiliary Switches
HA361234	Low Voltage Auxiliary Switch
HG61234	Equipment Ground Lug Kit
HG261234	Isolated Equipment Ground Lug Kit
HP63	Fuse Puller (3 per kit) (HF223J, HF323J, HF263J, HF363J)
HN623	Neutral Kit
HR63	Class R Fuse Clip Kit (3 fuse clips per kit) (HF223J, HF323J, HF263J, HF363J)
HT23	240 Volt Class T Fuse Clip Kit (1-Pole per kit)(HF223J, HF323J)
HT63	600 Volt Class T Fuse Clip Kit (1-Pole per kit)(HF263J, HF363J)
HLC63	Copper Lug Kit (9 lugs per kit)
HCL623	Compression Lug Neutral Barrier Kit
SSH150	1.50" Type 4/4X Hub
SSH200	2.00" Type 4/4X Hub

### Replacement Parts

Catalog Number	Description
HFB63	Fusible Line Side Replacement Base (HF223J, HF323J, HF263J, HF363J)
HBB63	Fusible Load Side Replacement Base (HF223J, HF323J, HF262J, HF363J)
HNB623	Non-Fusible Replacement Base (HNF263S, HNF363J)
HH6123S	Replacement Handle/Handle Guard
HL63	Replacement Lugs (3 lugs per kit)
HM6123	Replacement Mechanism
<sup>7</sup>	Replacement Door

# Dimension Drawings

## Heavy Duty 100A, 240 - 600V Type 12/3R/3S



No knockouts in enclosures.  
 Dimensions shown in inches and millimeters ( ).  
 Dimension shown accurate to  $\pm 1/8$  inch.

	LINE SIDE WIRE BEND	LOAD SIDE WIRE BEND
240V fused	6.07 (154)	8.10 (205)
600V fused	6.07 (154)	6.10 (155)
Non-Fused	6.07 (154)	11.46 (291)

Enclosure: Galvanized Steel  
 .054 Thick (17 Gauge)  
 Finish: ANSI Grey #61 Paint

**Published by**  
 Siemens Canada Limited  
 1577 North Service Road East  
 Oakville, ON L6H 0H6  
 Canada

Printed in Canada  
 © 2024 Siemens Canada Limited

This document contains a general description of available technical options only, and its effectiveness will be subject to specific variables including field conditions and project parameters. Siemens does not make representations, warranties, or assurances as to the accuracy or completeness of the content contained herein. Siemens reserves the right to modify the technology and product specifications in its sole discretion without advance notice.