

Surge-Trap® STXH Series

Surge Protective Device

SURGE PROTECTION

PANEL MOUNT SPD FOR UL 1449 TYPE 1 AND 2 APPLICATIONS



Surge-Trap® STXH is listed UL Type 1 and fully compliant with UL1449 5th Edition, suitable for any 120/240VAC split phase application. Equipped with TPMOV® technology, stands out as the safest option in its class. Compact design, combined with superior performance and reliability, makes it particularly suited for HVAC systems and direct attachment to air conditioning disconnect switches.

Technical Data Overview	
Surge Current Rating (Imax)	50kA – Per Phase & Per Mode 75kA – Per Phase & Per Mode
System Voltage	120V Single Phase, 120/240VAC Split Phase
Nominal discharge current (I _n) (8x20 μs)	20kA
Short Circuit Current Rating (SCCR)	200kA
Nominal power frequency	50-60 Hz
Response Time	Less than 1 nanosecond (one per phase)
Mounting	1/2" – 14 threaded hub Includes sealing locking washer
Wiring	Pre-wired 18" 10AWG
Enclosure	NEMA 4X Non-metallic
Flammability	UL94-5VA
Operating & Storage Temperature	– 40°F (40°C) to + 185°F (85°C)
Relative Humidity Range	0 to 95% non-condensing
Visual Status Indicator	LED Green = Functional / OUT = Replace

FEATURES/BENEFITS:

- Mersen TPMOV Technology – does not require additional overcurrent protection
- Compact footprint for seamless integration with AC Disconnect Switches
- NEMA 4X enclosure for outdoor or indoor use
- Fits 1/2" knockouts with 18" leads for easy installation
- Up to 3 Modes of Protection (L-N, L-L, and L-G)
- Bright LED status indicator, visible from side profile through clear cover
- 3-year manufacturer's warranty, plus up to \$25k connected equipment warranty (For details see Warranty Statement)

APPLICATIONS

- Residential Panels
- HVAC systems
- Pool and Spa equipment

APPROVALS/STANDARDS

- ANSI/UL 1449 5th Edition, Type 1 SPD, File E210793
- CSA C22.2, Type 1 SPD
- ANSI/IEEE C62.41.1, C62.41.2, C62.45
- UL96A Lightning Protection
- RoHS Compliant

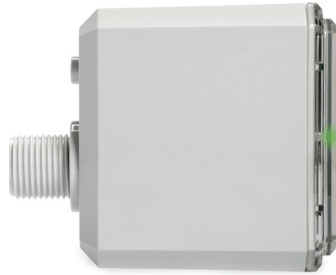


CATALOG NUMBERS AND ELECTRICAL CHARACTERISTICS

Catalog Number (includes suffixes*)	System Voltage and Configuration	I _n	Maximum Continuous Operating Voltage (MCOV, U _c)				Voltage Protection Rating (VPR) (UL 1449, 6kV, 3kA)			
			L-N	L-G	L-L	N-G	L-N	L-G	L-L	N-G
STXH120P05	120V Single Phase (2W)	20kA	180	-	-	-	600	-	-	-
STXH120P05N	120V Single Phase (2W+G)	20kA	150	300	-	150	600	1200	-	600
STXH240S05	240/120V Split Phase (3W)	20kA	150	-	300	-	600	-	1200	-
STXH120P07	120V Single Phase (2W)	20kA	180				600			
STXH120P07N	120V Single Phase (2W+G)	20kA	180	360		180	600	1000		600
STXH240S07	240/120V Split Phase (3W)	20kA	180		360		600		1000	

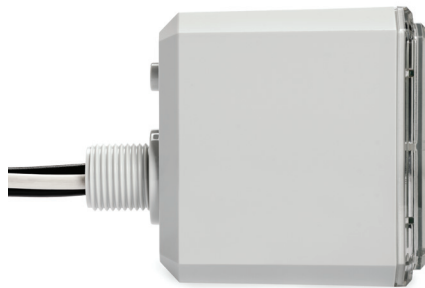
*Suffix "N" at the end of the part number for N-G protection. N-G protection is suggested downstream of N-G bonding when the unit is installed > 10' (3m) from service entrance or transformer. Without "N" option for installation of SPD at or near service entrance or transformer < 10' (3m) (N-G Bonded does not require N-G protection).

LED STATUS INDICATOR



High brightness LED, visible from all angles through the clear cover

MOUNTING CONFIGURATIONS

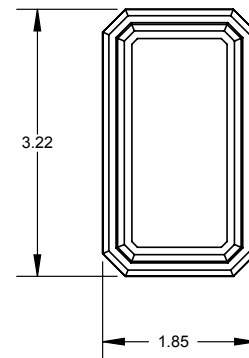
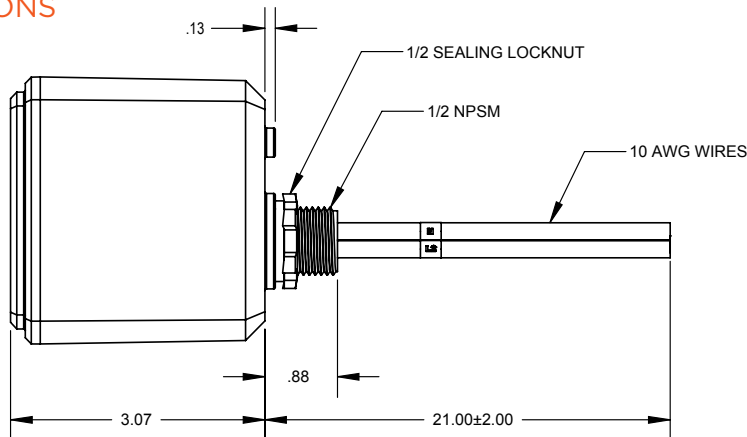


1/2" NPT Mounting Hub



Ideal for Air Conditioning Disconnect Applications

DIMENSIONS



© 2024 Mersen. All rights reserved. Mersen reserves the right to change, update, or correct, without notice, any information contained in this datasheet.