



4" IC RATED LED NEW CONSTRUCTION JUNCTION BOX DOWNLIGHT

FOR INSTALLATION INTO
FIRE RATED CEILING ASSEMBLIES

IC1JB 4RLD

Project: _____

Fixture Type: _____

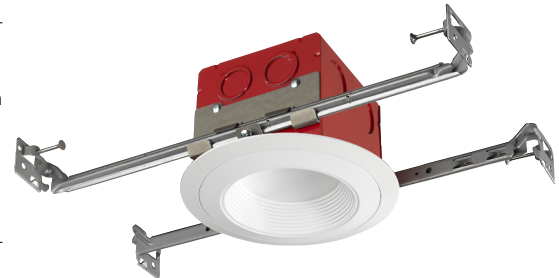
Location: _____

Contact/Phone: _____



PRODUCT DESCRIPTION

4" IC LED Air-Loc® new construction junction box housing with energy efficient LED downlight retrofit module for a complete downlight solution • May be installed in maximum 2 hour fire-rated ceiling assemblies per International Building Code Section 714 • Can be completely covered with insulation • Dimmable with most standard incandescent, magnetic low voltage and electronic low voltage dimmers • Designed to provide 50,000 hours of life • 5 year warranty



PRODUCT SPECIFICATIONS – TRIM

Downlight Trim Cast aluminum trim with white baffle and flange • All-in-one design where LED light engine mounts directly to trim for ease of installation
 • Diffusing lens conceals the LEDs from direct view and provides uniform aperture luminance
 • Provided with push-in friction springs.

LED Light Engine LEDs mounted directly to aluminum housing designed to provide superior thermal management and ensure long life
 • 2700K and 3000K LED color temperature • 90 CRI minimum • Accommodates 120 volts AC at 60Hz • Dimmable with most standard incandescent, magnetic low voltage and electronic low voltage dimmers • For a list of compatible dimmers, see [JUNORETROBASICS-DIM](#).

Electrical Connections Trim features quick connect plug installed as standard for installation into IC1JB with Quick Connect whip.

Life Rated for 50,000 hours at 70% lumen maintenance.

PRODUCT SPECIFICATIONS – HOUSING

Junction Box Housing Designed for use in IC (insulated ceiling) or non-IC construction • Rough-in section (junction box, bar hangers) fully assembled for ease of installation • Painted steel 3-1/2" deep 4" square junction box • Provided with (4) 1/2"-3/4" concentric, (2) 1/2", (4) 3/4" and (2) 1" knockouts • cETLus listed for through-branch wiring, maximum 8 No. 12 AWG 90°C branch circuit conductors (4 in and 4 out).

Hardware Ships with retrofit mounting bracket, trim ring and quick connect whip.

INSTALLATION

The IC1JB junction box housing must be installed per the International Building Code Section 714 guidelines to maintain up to a 2 hour ceiling fire rating. Precise ceiling cutout required. For use with 1/2" - 1-1/4" ceiling thickness

Real Nail® 3 Bar Hangers Telescoping Real Nail 3 system permits quick placement of housing anywhere within 24" O.C. joists or suspended ceilings • Bars scored in two locations for fast, clean breaking, allowing housing installation in tight applications • Captive bugle-headed ring shank nail for quick one-step installation and easy removal with claw hammer for fixture relocation • Integral T-bar notch for suspended ceilings • Locking set screw to lock junction box housing in position • Design covered under US Patent D552,969.

LISTINGS

Labels Certified to the high efficacy requirements of California T24 • Assembly ETL listed to UL1598 for US and Canadian through branch wiring, damp location • Suitable for wet locations (indoor covered ceilings) • ETL listed to UL514A • Air-Loc.

Testing All reports are based on published industry procedures; field performance may differ from laboratory performance.

Specifications subject to change without notice.

ORDERING INFORMATION

Ordering Example: IC1JB 4RLD G4 06LM 27K 90CRI 120 FRPC WWH

Junction box and trim can be ordered together or separate, but will always ship separately.

Series	Trim Series	Generation	Lumens	Color Temperature
IC1JB New Construction Junction Box for Fire Rated Ceiling Assemblies	4RLD 4" Juno Basics Retrofit Downlight	G4 Generation 4	06LM 600 Nominal Lumens 09LM 900 Nominal Lumens	27K 2700K 30K 3000K

Color Rendering Index	Voltage	Driver	Finish
90CRI 90+ CRI	120 120V	FRPC Forward/Reverse Phase Cut	WWH White, White Trim Ring

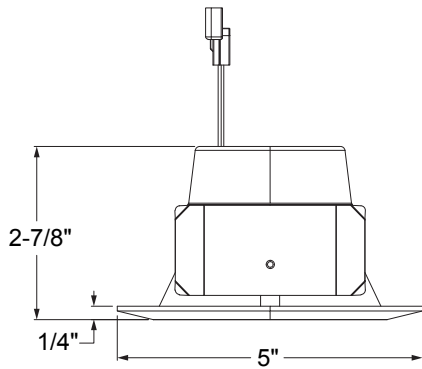
4" IC RATED LED NEW CONSTRUCTION JUNCTION BOX DOWNLIGHT

FOR INSTALLATION INTO FIRE RATED CEILING
ASSEMBLIES

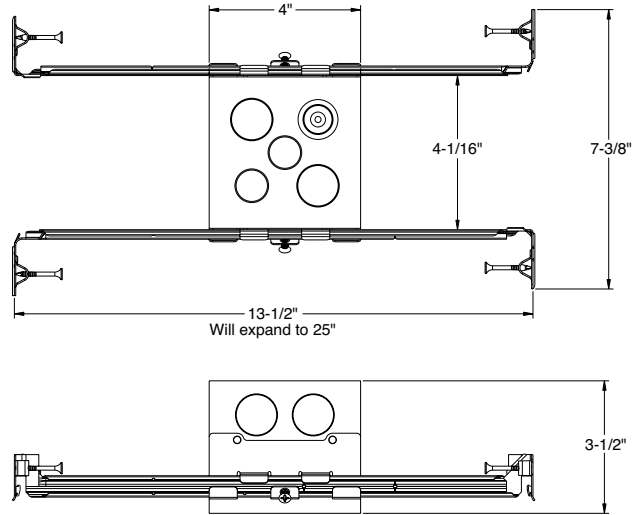
IC1JB 4RLD

DIMENSIONS

4RLD TRIM

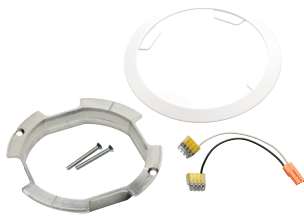


IC1JB



4 1/4" SQUARE CEILING CUTOUT MAX

RETROFIT MOUNTING BRACKET, TRIM RING AND QUICK CONNECT WHIP



4RLD PERFORMANCE DATA

	06LM		09LM	
	27K	30K	27K	30K
Input Voltage	120V	120V	120V	120V
Input Power Typical	8W	8W	12W	12W
Frequency	60Hz	60Hz	60Hz	60Hz
EMI/RFI	FCC Title 47, Part 15 Class B (consumer)	FCC Title 47, Part 15 Class B (consumer)	FCC Title 47, Part 15 Class B (consumer)	FCC Title 47, Part 15 Class B (consumer)
Minimum starting temp	-30°C (-22°F)	-30°C (-22°F)	-30°C (-22°F)	-30°C (-22°F)
CRI	90 min.	90 min.	90 min.	90 min.
CCT	2700K	3000K	2700K	3000K

4" IC RATED LED NEW CONSTRUCTION JUNCTION BOX DOWNLIGHT

FOR INSTALLATION INTO FIRE RATED CEILING ASSEMBLIES

IC1JB 4RLD

PHOTOMETRICS

Distribution Curve

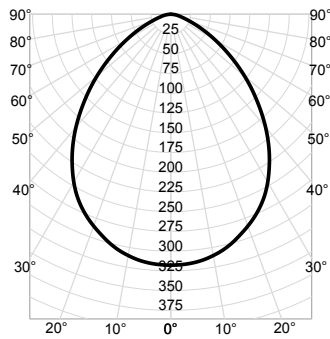
Distribution Data

Output Data

Coefficient of Utilization

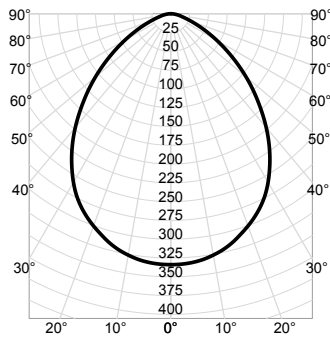
Illuminance Data at 30" Above Floor for a Single Luminaire

4RLD G4 06LM 27K 90CRI WWH, Input Watts: 7.6, Delivered Lumens: 637, LPW: 83.8, S/MH: 1.15, Test No: 20-774



CP Summary		Zonal Lumen Summary		Coefficients of Utilization								Cone of Light			Luminance (cd/sq.m)	
0°	Zone	Lumens	% Fixture	pf	80%		20%		70%		50%		Mounting Height	Initial FC Center Beam	Beam Diameter	Average Luminance
				pc	50%	30%	10%	50%	30%	10%	50%	30%				
0°	0° - 30°	238	37%	0	119	119	119	116	116	116	111	111	6.0	8.8	11.7	0° 51,789
5°	0° - 40°	373	59%	1	107	103	100	105	101	99	100	98	8.0	5.0	15.6	45° 35,491
15°	0° - 60°	574	90%	2	95	90	85	94	88	84	90	86	10.0	3.2	19.5	55° 26,025
25°	0° - 90°	637	100%	3	86	79	73	84	78	72	81	76	12.0	2.2	23.4	65° 16,195
35°	90° - 180°	0	0%	4	77	69	63	76	69	63	73	67	14.0	1.6	27.3	75° 9,130
45°	0° - 180°	637	100%	5	70	62	56	69	61	56	67	60	Beam Angle: 88.5°		85° 7,105	
55°		92		6	63	55	50	63	55	49	61	54	Field Angle: 135.6°			
65°		42		7	58	50	44	57	50	44	56	49				
75°		15		8	53	46	40	53	45	40	51	45				
85°		4		9	49	42	36	49	41	36	48	41				
90°		0		10	46	38	33	45	38	33	44	38				

4RLD G4 06LM 30K 90CRI WWH, Input Watts: 7.6, Delivered Lumens: 678, LPW: 89.2, S/MH: 1.15, Test No: 20-1027-1



CP Summary		Zonal Lumen Summary		Coefficients of Utilization								Cone of Light			Luminance (cd/sq.m)	
0°	Zone	Lumens	% Fixture	pf	80%		20%		70%		50%		Mounting Height	Initial FC Center Beam	Beam Diameter	Average Luminance
				pc	50%	30%	10%	50%	30%	10%	50%	30%				
0°	0° - 30°	250	37%	0	119	119	119	116	116	116	111	111	6.0	9.3	11.8	0° 54,413
5°	0° - 40°	393	58%	1	107	103	100	105	101	98	100	98	8.0	5.2	15.7	45° 37,704
15°	0° - 60°	608	90%	2	95	89	85	93	88	84	90	86	10.0	3.3	19.7	55° 28,127
25°	0° - 90°	678	100%	3	85	78	73	84	77	72	81	75	12.0	2.3	23.6	65° 17,969
35°	90° - 180°	0	0%	4	77	69	63	75	68	63	73	67	14.0	1.7	27.5	75° 10,200
45°	0° - 180°	678	100%	5	69	61	55	68	61	55	66	60	Beam Angle: 89.0°		85° 7,853	
55°		99		6	63	55	49	62	55	49	61	54	Field Angle: 136.8°			
65°		47		7	58	50	44	57	49	44	56	49				
75°		16		8	53	45	40	52	45	40	51	44				
85°		4		9	49	41	36	48	41	36	47	41				
90°		0		10	45	38	33	45	38	33	44	37				

4" IC RATED LED NEW CONSTRUCTION JUNCTION BOX DOWNLIGHT

FOR INSTALLATION INTO FIRE RATED CEILING ASSEMBLIES

IC1JB 4RLD

PHOTOMETRICS

Distribution Curve

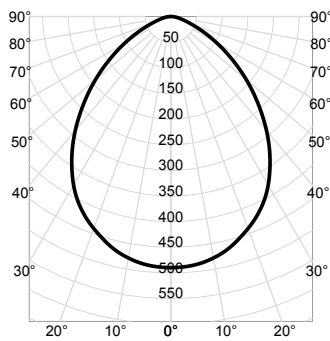
Distribution Data

Output Data

Coefficient of Utilization

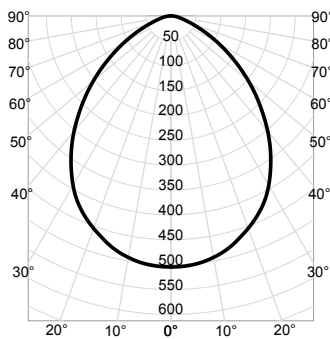
Illuminance Data at 30" Above Floor for a Single Luminaire

4RLD G4 09LM 27K 90CRI WWH, Input Watts: 11.7, Delivered Lumens: 995, LPW: 85.0, S/MH: 1.15, Test No: 20-1027-2



CP Summary		Zonal Lumen Summary			Coefficients of Utilization									Cone of Light			Luminance (cd/sq.m)	
0°	Zone	Lumens	% Fixture	pf	80%			20% 70%			50%			Mounting Height	Initial FC Center Beam	Beam Diameter	Average Luminance	
				pc	50%	30%	10%	50%	30%	10%	50%	30%	10%					
0°	0° - 30°	367	37%	0	119	119	119	116	116	116	111	111	111	6.0	13.6	11.8	0°	79,818
5°	0° - 40°	577	58%	1	107	103	100	105	101	98	100	98	95	8.0	7.7	15.8	45°	55,449
15°	0° - 60°	893	90%	2	95	90	85	93	88	84	90	86	82	10.0	4.9	19.7	55°	41,424
25°	0° - 90°	995	100%	3	85	78	73	84	77	72	81	75	71	12.0	3.4	23.6	65°	26,182
35°	90° - 180°	0	0%	4	77	69	63	75	68	63	73	67	62	14.0	2.5	27.6	75°	14,859
45°	0° - 180°	995	100%	5	69	61	55	68	61	55	66	60	55	Beam Angle: 89.1°			85°	11,593
55°	146												Field Angle: 136.7°					
65°	68																	
75°	24																	
85°	6																	
90°	0																	

4RLD G4 09LM 30K 90CRI WWH, Input Watts: 11.8, Delivered Lumens: 1038, LPW: 88.0, S/MH: 1.15, Test No: 21-009-1



CP Summary		Zonal Lumen Summary			Coefficients of Utilization									Cone of Light			Luminance (cd/sq.m)	
0°	Zone	Lumens	% Fixture	pf	80%			20% 70%			50%			Mounting Height	Initial FC Center Beam	Beam Diameter	Average Luminance	
				pc	50%	30%	10%	50%	30%	10%	50%	30%	10%					
0°	0° - 30°	379	36%	0	119	119	119	116	116	116	111	111	111	6.0	14.0	12.0	0°	82,247
5°	0° - 40°	597	57%	1	107	103	100	105	101	98	100	98	95	8.0	7.9	16.0	45°	58,215
15°	0° - 60°	930	90%	2	95	89	85	93	88	84	90	85	82	10.0	5.0	20.0	55°	44,038
25°	0° - 90°	1,038	100%	3	85	78	72	84	77	72	81	75	71	12.0	3.5	24.0	65°	27,840
35°	90° - 180°	0	0%	4	77	69	63	75	68	62	73	67	62	14.0	2.6	28.0	75°	15,426
45°	0° - 180°	1,038	100%	5	69	61	55	68	61	55	66	59	54	Beam Angle: 90.0°			85°	11,967
55°	155												Field Angle: 137.1°					
65°	72																	
75°	25																	
85°	6																	
90°	0																	