



Lightolier LED Performance Track Heads are an economical solution used for displays, accent, and task lighting. The selectable correlated color temperature allows for concentrated light in a variety of color options. With the two outputs, multiple mounting heights can be covered to ensure the desired illumination levels are met.

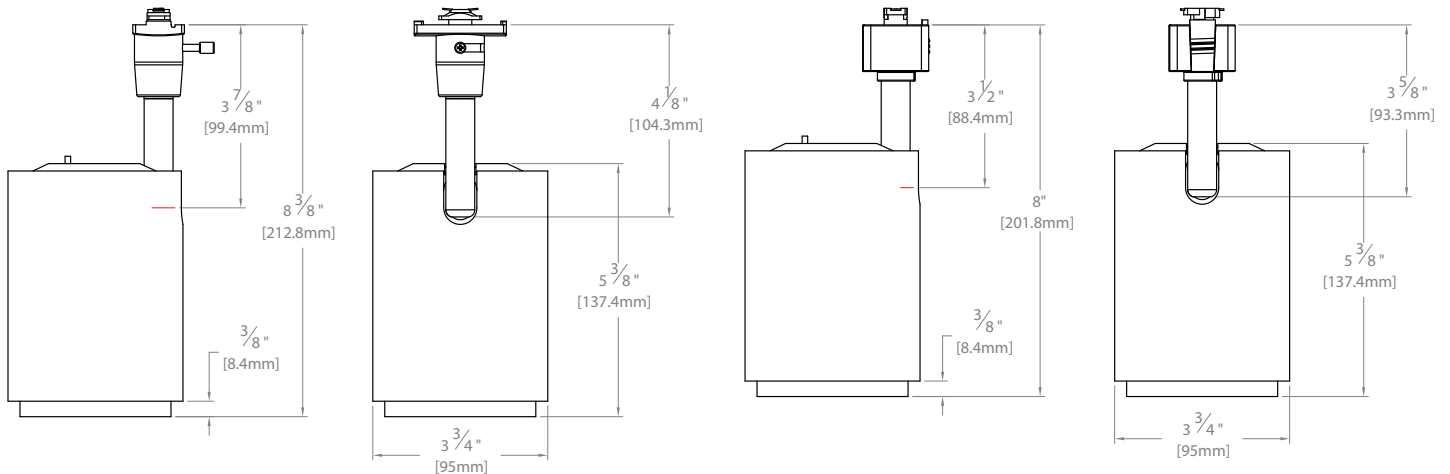
Project: _____
 Location: _____
 Cat.No: _____
 Type: _____
 Qty: : _____
 Notes: _____

Fixture

example: THPL109SCTBK

Series	Adapters	Lumens /Wattage	Beam Spread	CRI / CCT	Finish
THP				9SCT	
THP Performance Track Head	L Lightolier J Juno	10 1000lm @ 10W 30 3000lm @ 30W	Blank Wide Flood 36° & Narrow Flood 24° included	9SCT 90 CRI / Field Selectable CCT (2700K/3000K/ 3500K/4000K)	WH White (matte) BK Black (matte)

Dimensions



Features

- Track attachment fitting: Molded polycarbonate. Rotates into place with the use of a push tab.
- Push tab: Molded polycarbonate. Locks and detaches unit.
- Driver and optic housing: Aluminum Horizontally rotates 330° and vertically rotates 90°
- Integrated heat sink: Passive cooling, integrated into optic and driver housing.
- Lifetime: THP10: B50L70 = 50,000 hrs
THP30: B50L70 = 50,000 hrs
- Finish: Matte white and matte black.
- Install: Suitable for ceiling mounted track only. Compatible with Lytespan Lightolier track. Not compatible with extension wands.
- Light source: LED
- Fixed track contacts: Compatible with LyteSpan Basic 1 circuit track only.
- Comes with a 36° Wide Flood standard beam and has a 24° Narrow Flood included as optional.

Electronic PSU Input Voltage 120V 60Hz

Specifications	Beam Angle	Lumens				Power	Efficacy	CBCP
		2700K	3000K	3500K	4000K			
THPL109SCTWH	36° Flood	1000lm	1000lm	1000lm	1000lm	11.5W	87lm/w	2869
THPL109SCTBK	36° Flood	1000lm	1000lm	1000lm	1000lm	11.5W	87lm/w	2869
THPJ09SCTWH	36° Flood	1000lm	1000lm	1000lm	1000lm	11.5W	87lm/w	2869
THPJ09SCTBK	36° Flood	1000lm	1000lm	1000lm	1000lm	11.5W	87lm/w	2869
THPL309SCTWH	36° Flood	2800lm	3000lm	3000lm	3000lm	32W	93lm/w	7132
THPL309SCTBK	36° Flood	2800lm	3000lm	3000lm	3000lm	32W	93lm/w	7132
THPJ309SCTWH	36° Flood	2800lm	3000lm	3000lm	3000lm	32W	93lm/w	7132
THPJ309SCTBK	36° Flood	2800lm	3000lm	3000lm	3000lm	32W	93lm/w	7132

Dimming

Driver	THP10	THP30
DVCL-153P (TRIAC)	>0%	>5%
DV-603PG (TRIAC)	>5%	>5%
AY-600P (TRIAC)	>5%	>0%
MACL-153M (TRIAC)	>5%	>5%

Labels

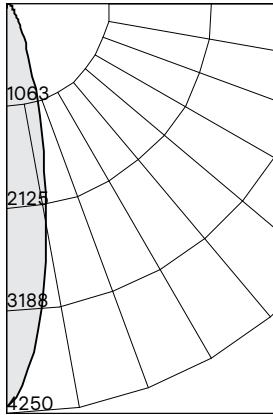
ETL listed.
 DLC Monopoints certified.
 5 year warranty.

THP Performance Track Head

Downlight

1000 lm Engine, 97 lm/W at 11 W

Candela Curve



THP 1000 24°

Output lumens: 1068 lm
 CCT¹: 2700K
 Input watts²: 11.0 W
 Efficacy: 97.1 lm/W
 CRI: 90 min
 Center beam candlepower: 4,166 cd
 Beam angle: 24°
 R9 Value: >50

30° Horizontal Aiming

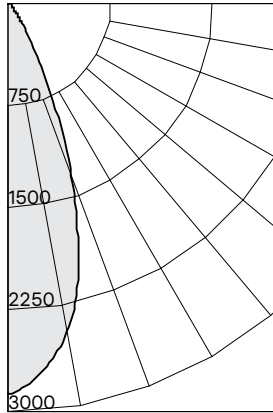
Distance (D)	Distance (C)	F.C.	Beam length (L)	Beam width (W)
6	3.5	75	3.5	2.9
8	4.6	42	4.6	3.9
10	5.8	27	5.8	4.9
12	6.9	19	6.9	5.9

30° Vertical Aiming

Distance (D)	Distance (C)	F.C.	Beam length (L)	Beam width (W)
2	3.5	130	3.9	1.7
3	5.2	58	5.9	2.6
4	6.9	33	7.9	3.4
5	8.7	21	9.8	4.3

1000 lm Engine, 106 lm/W at 11 W

Candela Curve



THP 1000 36°

Output lumens: 1170 lm
 CCT¹: 2700K
 Input watts²: 11.0 W
 Efficacy: 106.4 lm/W
 CRI: 90 min
 Center beam candlepower: 2,869 cd
 Beam angle: 36°
 R9 Value: >50

30° Horizontal Aiming

Distance (D)	Distance (C)	F.C.	Beam length (L)	Beam width (W)
6	3.5	52	5.4	4.5
8	4.6	29	7.2	6.0
10	5.8	19	9.0	7.5
12	6.9	13	10.8	9.0

30° Vertical Aiming

Distance (D)	Distance (C)	F.C.	Beam length (L)	Beam width (W)
2	3.5	90	7.6	2.6
3	5.2	40	11.4	3.9
4	6.9	22	15.2	5.2
5	8.7	14	19.0	6.5

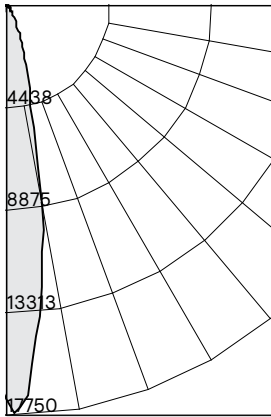
1. Correlated Color Temperature within specs as defined in ANSI_NEMA_ANSI C78.377-2008: Specifications for the Chromaticity of Solid State Lighting Products.
 2. Tested using absolute photometry as specified in LM79: IESNA Approved Method for the Electrical and Photometric Measurements of Solid-State Lighting Products.

THP Performance Track Head

Downlight

3000 lm Engine, 98 lm/W at 31 W

Candela Curve



THP 3000 24°

Output lumens: 3037 lm
 CCT¹: 4000K
 Input watts²: 31.0 W
 Efficacy: 98.0 lm/W
 CRI: 90 min
 Center beam candlepower: 17,072 cd
 Beam angle: 24°
 R9 Value: >50

30° Horizontal Aiming

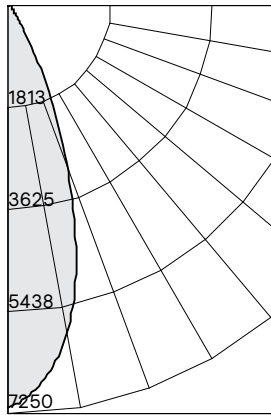
Distance (D)	Distance (C)	F.C.	Beam length (L)	Beam width (W)
6	3.5	308	3.5	2.9
8	4.6	173	4.6	3.9
10	5.8	111	5.8	4.9
12	6.9	77	6.9	5.9

30° Vertical Aiming

Distance (D)	Distance (C)	F.C.	Beam length (L)	Beam width (W)
2	3.5	534	3.9	1.7
3	5.2	237	5.9	2.6
4	6.9	133	7.9	3.4
5	8.7	85	9.8	4.3

3000 lm Engine, 91 lm/W at 33 W

Candela Curve



THP 3000 36°

Output lumens: 3003 lm
 CCT¹: 2700K
 Input watts²: 33.0 W
 Efficacy: 91.0 lm/W
 CRI: 90 min
 Center beam candlepower: 7,132 cd
 Beam angle: 36°
 R9 Value: >50

30° Horizontal Aiming

Distance (D)	Distance (C)	F.C.	Beam length (L)	Beam width (W)
6	3.5	129	5.4	4.5
8	4.6	72	7.2	6.0
10	5.8	46	9.0	7.5
12	6.9	32	10.8	9.0

30° Vertical Aiming

Distance (D)	Distance (C)	F.C.	Beam length (L)	Beam width (W)
2	3.5	223	7.6	2.6
3	5.2	99	11.4	3.9
4	6.9	56	15.2	5.2
5	8.7	36	19.0	6.5

1. Correlated Color Temperature within specs as defined in ANSI_NEMA_ANSI C78.377-2008: Specifications for the Chromaticity of Solid State Lighting Products.
 2. Tested using absolute photometry as specified in LM79: IESNA Approved Method for the Electrical and Photometric Measurements of Solid-State Lighting Products.