



**Basic Lightolier Track** is a one circuit, one neutral track system designed to work with Lightolier track luminaires. The track can be installed individually in straight runs or in a variety of patterns in a variety of applications. Lightolier track are field-cuttable and can be surface mounted, stem mounting, or installed in a recessed housing.

Project: \_\_\_\_\_  
 Location: \_\_\_\_\_  
 Cat.No: \_\_\_\_\_  
 Type: \_\_\_\_\_  
 Qty: \_\_\_\_\_  
 Notes: \_\_\_\_\_

### System

example: 600NWH

Series	Length	Finishes
<input type="text" value="60"/>		
<b>60</b> Basic 1 Circuit Track Syetsm	<b>00N</b> 2' Individual Track w/Live End <b>01N</b> 4' Individual Track w/Live End <b>02N</b> 8' Individual Track w/Live End <b>03N</b> 8' Joiner Track <b>04N</b> 4' Plain Track w/Dead End <b>06N</b> 6' Plain Track w/Dead End <b>08N</b> 8' Plain Track w/Dead End <b>12N</b> 12' Plain Track w/Dead End	<b>AL</b> Aluminum <b>BK</b> Matte Black <b>WH</b> Matte White

### Accessories

example: 6060WH

Series	Finishes
<input type="text"/>	
<b>Canopy kits</b>	
<b>6060</b> End Feed Canopy kit	<b>AL</b> Aluminum
<b>6063</b> Saddle Canopy kit	<b>BK</b> Matte Black
<b>6096</b> Grid Ceiling Canopy kit *	<b>WH</b> Matte White
<b>Monopoints</b>	
<b>6190</b> Round Monopoint	<b>BK</b> Matte Black
<b>6170</b> Square Monopoint	<b>WH</b> Matte White
<b>Adapters</b>	
<b>6079</b> Sloped Celing adapter	<b>BK</b> Matte Black
<b>7599</b> Pendant adapter	<b>WH</b> Matte White
<b>7596</b> Track Surface Raceway adapter	
<b>Connectors</b>	
<b>6046N</b> Power Extension connector	<b>AL</b> Aluminum
<b>6048N</b> Live End connector	<b>BK</b> Matte Black
<b>6049N</b> Mini-Coupler connector	<b>WH</b> Matte White
<b>6053N</b> Variable Angle connector	
<b>6054N</b> In-Line connector	
<b>6050N</b> "L" connector	
<b>60501N</b> "T" connector	
<b>6052N</b> "X" connector	
<b>PowerTrip/Current Limiting Devices</b>	
<b>6099</b> PowerTrip w/Live End kit	<b>AL</b> Aluminum
<b>6033</b> PowerTrip w/In-Line kit	<b>BK</b> Matte Black
	<b>WH</b> Matte White
<b>Additional accessories</b>	
<b>6062</b> Cord & Plug for track systems	<b>BK</b> Matte Black
<b>6085</b> Convenience Outlet (WH only)	<b>WH</b> Matte White
<b>7589</b> Track Attachment fitting	

Series	
<input type="text"/>	
<b>Stem Mounting kits</b>	
<b>7584AL</b> 18" Stem Mounting kit (AL)	
<b>7584</b> 18" Stem Mounting kit (WH)	
<b>7683</b> 18" Stem Mounting kit (BK)	
<b>7586AL</b> 48" Stem Mounting kit (AL)	
<b>7586</b> 48" Stem Mounting kit (WH)	
<b>7681</b> 48" Stem Mounting kit (BK)	
<b>Stem Extension kits</b>	
<b>7582AL</b> 48" Stem Extension kit (AL)	
<b>7582</b> 48" Stem Extension kit (WH)	
<b>7580</b> 48" Stem Extension kit (BK)	
<b>Dead-end covers</b>	
<b>56475N</b> Dead-End cover (WH)	
<b>56476</b> Dead-End cover (AL)	
<b>56491</b> Dead-End cover (BK)	
<b>Mounting clips &amp; Mounting bars</b>	
<b>56451</b> Track mounting clips (set of 10)	
<b>6089</b> Grid ceiling mounting clips (set of 9)	
<b>6088</b> Slot grid ceiling mounting clips (set of 9)	
<b>6087</b> Regressed grid ceiling mounting clips (set of 9)	
<b>1950</b> Mounting bars 18" (set of 2)	
<b>1951</b> Mounting bars 27" (set of 2)	

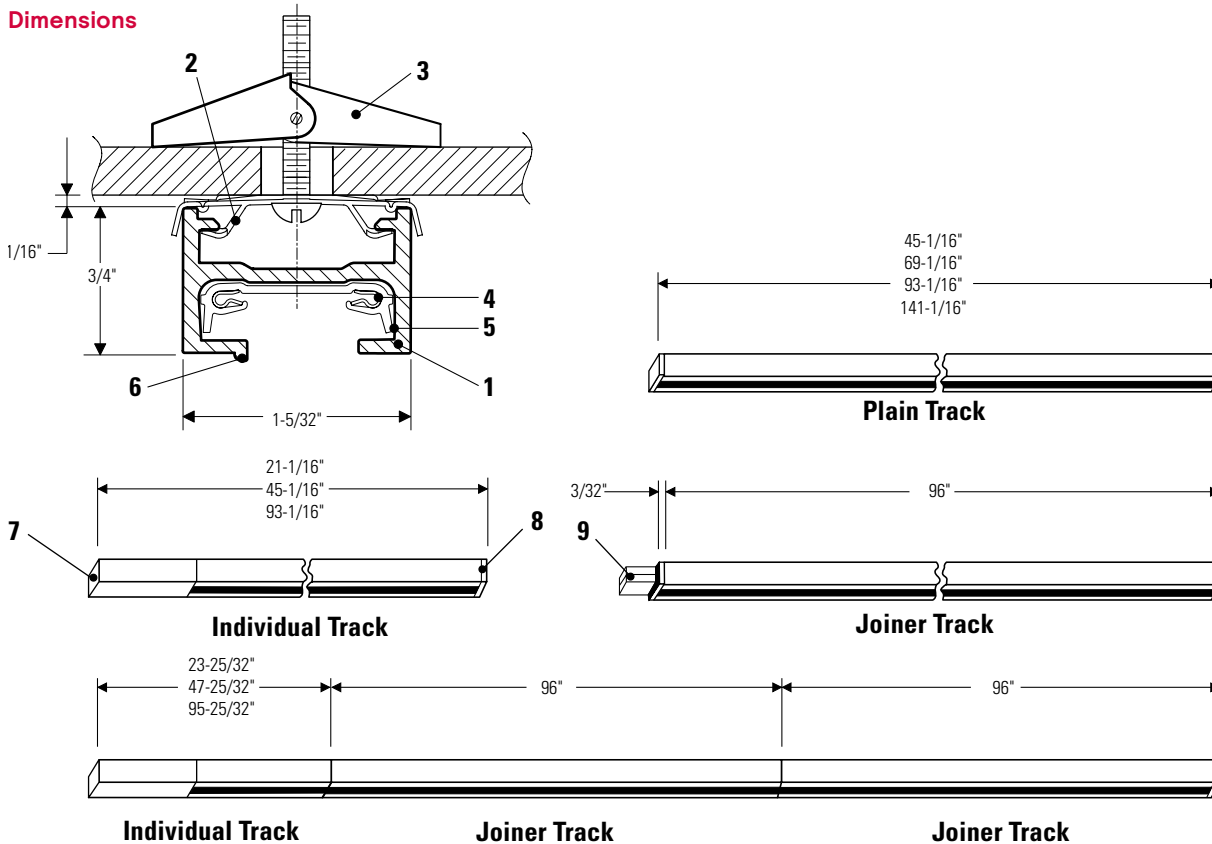
\* Available in Black and White finishes only.



# 6000 Basic Track System

Track (2', 4', 6', 8', 12') 1 Circuit

## Dimensions



## Features

- Basic Lytespan Track:**  
6063-T5 structural aluminum extrusion.
- Track Mounting Clips:**  
0.024 Spring steel, in black or white;  
order separately.
- Toggle Bolt & Screws:**  
Furnished with track units.
- Conductor (2):**  
Copper 12 ga. equivalent. "U" shape provides  
reliable contact with connectors.
- Insulating Liner:**  
0.032" wall, high temperature thermoplastic.
- Polarity Bead:**  
Identifies the neutral conductor.
- Live End:**  
Molded thermoplastic, contains contacts  
for power supply leads.
- Dead End Cover:**  
Molded thermoplastic.
- Mini Coupler:**  
Connects track units mechanically  
and electrically.

## Mounting

The track may be surface or stem mounted or installed in a recessed housing (see Specification sheet 7515). The track is not intended to be cable mounted. All lengths can be field cut.

## Dimming Compatibility

Capacity is 20 amps. at 120 volts per branch circuit (2400 watts incandescent load). The track units are polarized and continuously grounded throughout. Electrical conductors are concealed in a insulating liner. Intended for wiring to branch circuit building wire with ground. All wiring must be in accordance with National and Local Codes.

## Electrical

Track units plug together and lock securely to prevent accidental separation. Lytespan lighting units can be attached at any point along the track.

## Labels

cULus

# 6000 Basic Track System

## Track (2', 4', 6', 8', 12') 1 Circuit

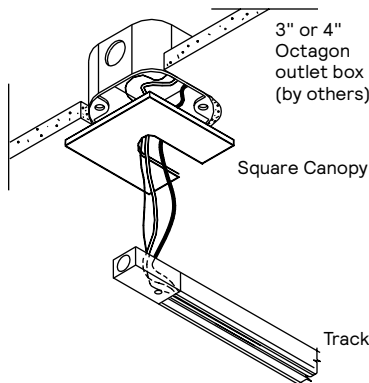
### Accessories

**End Feed Canopy kits**  
6060 4 1/2" square



- Aluminum
- Matte White
- Matte Black

Mounts above feed connectors.



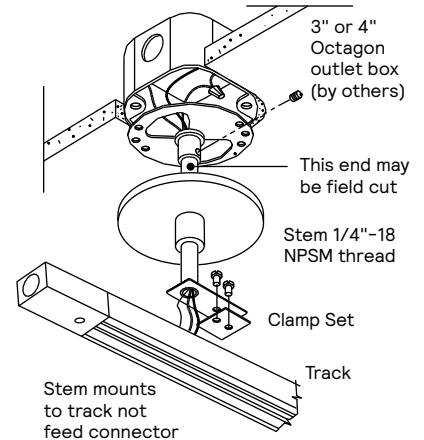
**18" Stem Mounting kits \***

- 7584AL Aluminum
- 7584 Matte White
- 7683 Matte Black

**48" Stem Mounting kits \***

- 7586AL Aluminum
- 7586 Matte White
- 7681 Matte Black

- Aluminum
- Matte White
- Matte Black



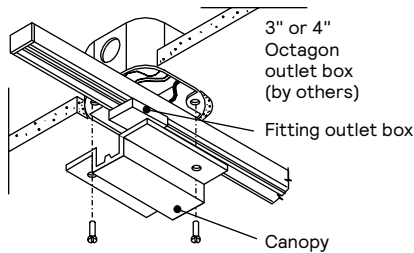
**Saddle Canopy kits**  
6063 4 1/2" square



- Aluminum
- Matte White
- Matte Black

For power feed from 4" junction box.

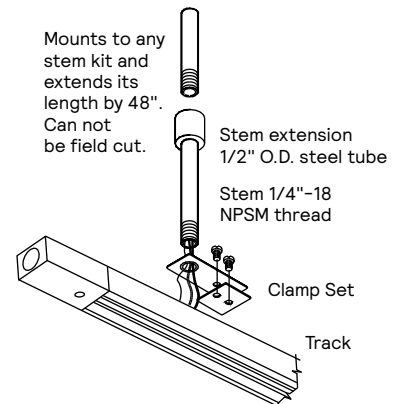
Mounts anywhere along track for power feed from a 4" or 3" octagon outlet box. Use Track Mounting Clips or direct mount track. Max load 20 amps @ 120V, 60Hz.



**48" Stem Extension kits**

- 7582AL Aluminum
- 7582 Matte White
- 7680 Matte Black

- Aluminum
- Matte White
- Matte Black

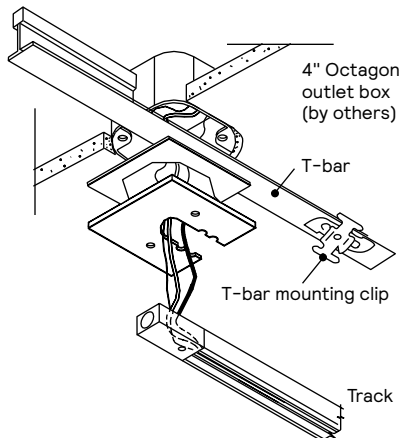


**Grid Ceiling Canopy kits**  
6096N 4 1/2" square



- Matte White

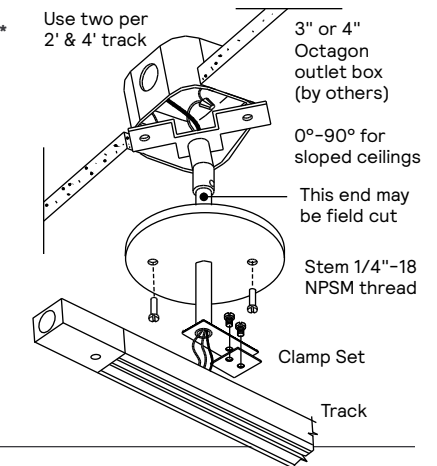
Outlet box included.



**48" Swivel Stem Mounting kits \***

- 7480AL Aluminum
- 7480 Matte White
- 7481 Matte Black

- Aluminum
- Matte White
- Matte Black



**Round Monopoints**  
6190 4 5/8" dia. x 1/4"D



- Matte White
- Matte Black

Ultra shallow mounts fixture to 3 1/2" or 4" octagon outlet box. Use 90°C min. supply wire.

**Square Monopoints**  
6170 5 5/8"L x 4 1/2"W x 1/4"D



- Matte White
- Matte Black

Ultra shallow mounts fixture to 3 1/2" or 4" octagon outlet box. Use 90°C min. supply wire.

**Mounting bars**  
1950 18" (set of 2)  
1951 27" (set of 2)



**Dead-End covers**  
56475N Matte White  
56476 Aluminum  
56491 Matte Black

- Aluminum
- Matte White
- Matte Black



#### Note for Stem Mounting kits:

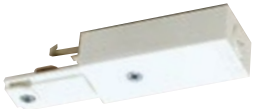
\* When making a run of track do not exceed 4' between stems (use additional supports). Power is fed to track with stem closest to the track feed-in point. For power feed to Feed Track use Live-End "L", "T", "X", In-Line and Variable Angle Connectors.

# 6000 Basic Track System

## Track (2', 4', 6', 8', 12') 1 Circuit

### Accessories

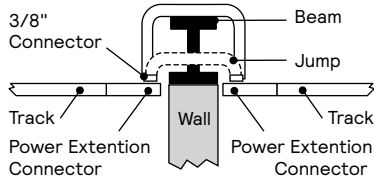
**Power Extension connectors**  
6046N for Basic track



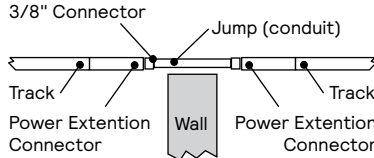
- Aluminum
- Matte White
- Matte Black

Use opposite Live End to power other track sections when obstructions exist.

#### Over Beam or Through Beam

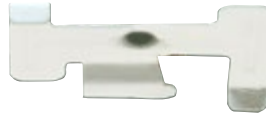


#### Through Wall or Column



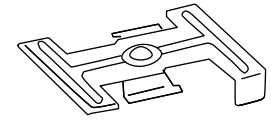
#### Track Mounting clips

56451 Zinc plated (set of 10).  
Stands track off ceiling 1/16".



- Matte White
- Matte Black

Replacement clips, included with Basic and Advent Track. Stands track off ceiling 1/16".

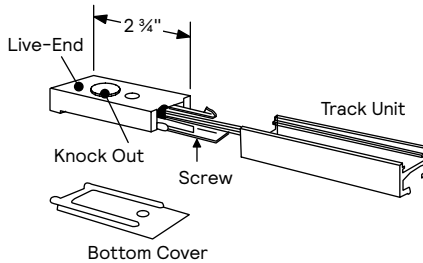


**Live-End connectors**  
6048N for Basic track



- Aluminum
- Matte White
- Matte Black

Electrifies track from beginning of run (included in individual track).



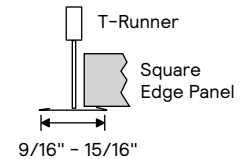
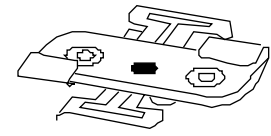
Knock out permits direct feed with electrical connector. It is included with individual track units. Use with plain track.

**Grid ceiling mounting clips**  
6089 Zinc plated (set of 9)



- Matte White

For Square-Edge Panels and 9/16" or 15/16" T-Bar runners.

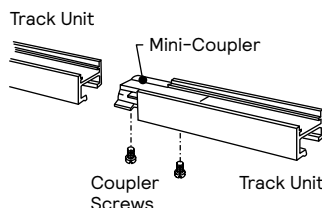


**Mini-Coupler connectors**  
6049N for Basic track



- Aluminum
- Matte White
- Matte Black

Invisible spline for joining two track units (included in joiner).



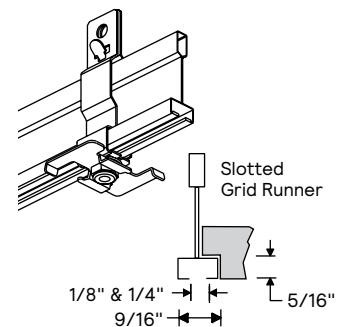
Used to connect two pieces of track together mechanically and electrically. Power can not be fed to Mini-Coupler. It is included with Joiner Track.

**Slot grid ceiling mounting clips**  
6088 Zinc plated (set of 9)

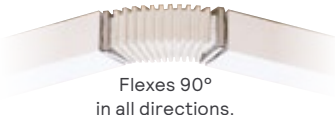


- Matte White

For Regressed-Edge Panels and Slotted Grid runners in ceiling systems.

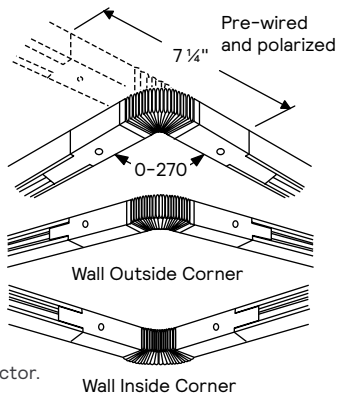


**Variable Angle Connector**  
6053N for Basic track



- Aluminum
- Matte White
- Matte Black

Contains a die-cast zinc nut which accepts a 3/8" threaded conduit fitting. Can be fed directly with electrical connector.

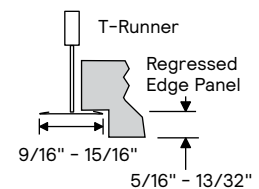
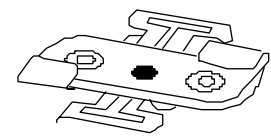


**Regressed grid ceiling mounting clips**  
6087 Zinc plated (set of 9)



- Matte White

For Regressed-Edge Panels and Slotted Grid runners in ceiling systems.

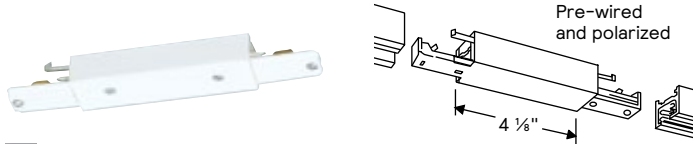


# 6000 Basic Track System

## Track (2', 4', 6', 8', 12') 1 Circuit

### Accessories

**In-Line Connectors**  
6054N for Basic track



Aluminum  
 Matte White  
 Matte Black

Permits power feed between track units in a straight run of track. Knock-out permits direct feed with electrical connector.

**PowerTrip current limiting devices**  
6033 In-Line for Basic track  
6099 Live-End for Basic track



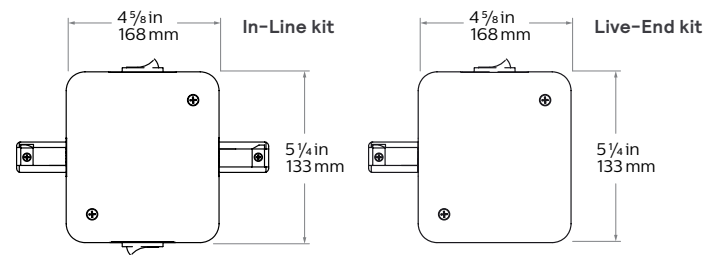
Aluminum  
 Matte White  
 Matte Black



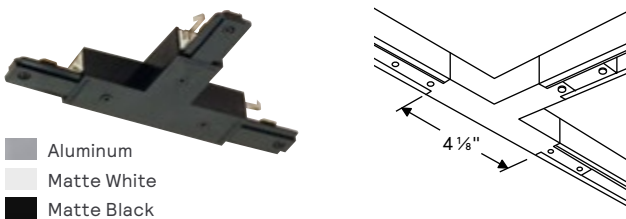
**"L" Connectors**  
6050N for Basic track



Aluminum  
 Matte White  
 Matte Black



**"T" Connector**  
6051N for Basic track



Aluminum  
 Matte White  
 Matte Black

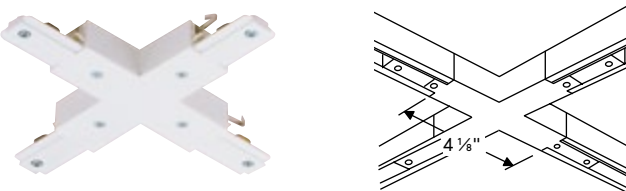
**Cord and Plug**  
6062 for Basic track



Includes 15-foot, two-conductor cord and plug set with in-line switch. Capacity 7 amps at 120V. Not UL Listed.

Matte White  
 Matte Black

**"X" Connector**  
6052N for Basic track



Aluminum  
 Matte White  
 Matte Black

**Convenience Outlet**  
6085 Capacity 6 amps (WH)



Matte White  
 Matte Black

Provides auxiliary source for plug-in equipment.

**Track Attachment Fitting**  
7589 Capacity 6 amps



Matte White  
 Matte Black

Supports cord mounted fixture up to 10 lbs. and stem or chain mounted fixture to 25 lbs. Chain not included.



© 2021 Signify Holding. All rights reserved. The information provided herein is subject to change, without notice. Signify does not give any representation or warranty as to the accuracy or completeness of the information included herein and shall not be liable for any action in reliance thereon. The information presented in this document is not intended as any commercial offer and does not form part of any quotation or contract, unless otherwise agreed by Signify.

Signify North America Corporation  
400 Crossing Blvd, Suite 600  
Bridgewater, NJ 08807  
Telephone: 855-486-2216

Signify Canada Ltd.  
281 Hillmount Road,  
Markham, ON, Canada L6C 2S3  
Telephone: 800-668-9008

All trademarks are owned by Signify Holding or their respective owners.