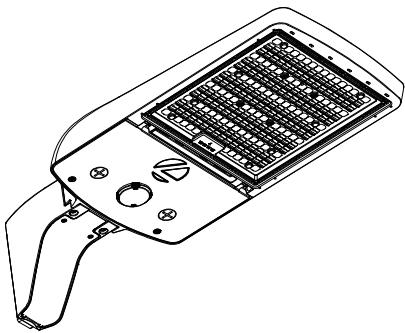
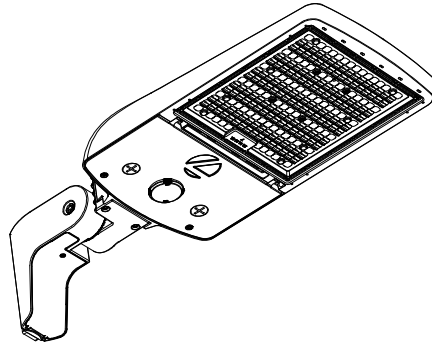


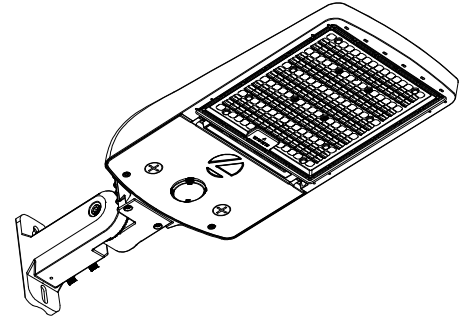
EAX LED Area Luminaire
Luminaria de led de área EAX
Éclairage local DEL EAX



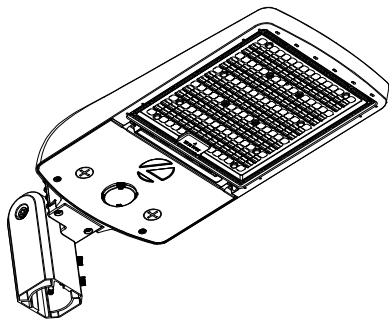
SRA



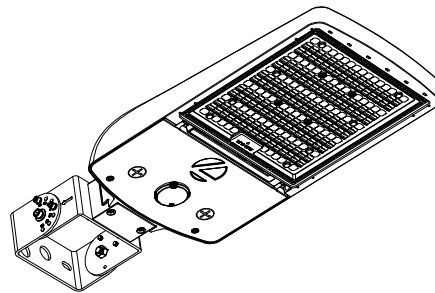
ASRP



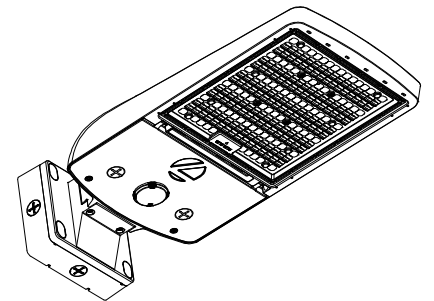
UPM



IS



YK



WBA

Model Number(s)/ Número de modelo / Numéro des modèles

EAX1, EAX2, EAX3

Mounting accessories / Accesorios

de montaje / Accessoires de montage

**EAX UPM, EAX SRA, EAX ASRP,
 EAX IS, EAX YK, EAX WBA**

Protect yourself. Before installing, read the entire instructions carefully and save them for future reference.

Date installed: _____

Failure to follow any of these instructions could void product warranties. For a complete list of product Terms and Conditions, visit www.acuitybrands.com. Acuity Brands Lighting, Inc. assumes no responsibilities for claims arising out of improper or careless installation or handling of its products.

Upon receipt of fixture and accessories (packaged separately), thoroughly inspect for any freight damage. All damage should be reported to the delivery carrier. Compare the catalog description listed on the packing slip with the fixture label to be sure you have received the correct merchandise.

Protégase. Antes de instalar, lea estas instrucciones cuidadosamente y guárdelas para futura referencia.

Fecha Instalada: _____

El incumplimiento de alguna de estas instrucciones puede anular la garantía del producto. Para obtener la lista completa de los términos y las condiciones respecto al producto, visite www.acuitybrands.com. Acuity Brands Lighting, Inc. no se hace responsable por los reclamos que puedan surgir de la instalación o manipulación inadecuada o negligente de sus productos.

Cuando reciba el aparato, inspeccione minuciosamente para detectar posibles daños por el envío. Informe todos los daños a la compañía a cargo del envío. Compare la descripción de catálogo incluida en el comprobante de empaque con la etiqueta del aparato en para asegurarse de haber recibido la mercadería correcta.

Pour votre propre protection. Avant de procéder à l'installation, veuillez lire attentivement ces directives et les conserver pour référence ultérieure.

Date de l'installation: _____

Tout manquement au respect de ces instructions pourrait rendre nulles les garanties. Pour une liste complète des conditions générales du produit, veuillez vous rendre sur www.acuitybrands.com. Acuity Brands Lighting, Inc. n'assume aucune responsabilité pour les réclamations découlant d'une installation ou d'une manipulation incorrectes ou négligentes de ses produits.

Lors de la réception du luminaire, procéder à une inspection minutieuse à la recherche de dommages éventuels subis lors du transport. Tous les dommages doivent être signalés au transporteur livreur. Comparez la description du catalogue indiquée sur le bordereau d'emballage avec l'étiquette du luminaire à afin de vous assurer que vous avez reçu les bonnes marchandises.

READ AND FOLLOW THESE SAFETY INSTRUCTIONS!

- To reduce the risk of death, personal injury or property damage from fire, electric shock, falling parts, cuts/abrasions, and other hazards please read all warnings and instructions included with and on the fixture box and all fixture labels.
- Before installing, servicing, or performing routine maintenance upon this equipment, follow these general precautions.
- Commercial installation, service and maintenance of luminaires should be performed by a qualified licensed electrician.
- For Residential installation: If you are unsure about the installation or maintenance of the luminaires, consult a qualified licensed electrician and check your local electrical code.
- Maintenance of the luminaires should be performed by person(s) familiar with the luminaires' construction and operation and any hazards involved. Regular fixture maintenance programs are recommended.
- This fixture is intended to be connected to a properly installed and grounded UL listed junction box.
- It will occasionally be necessary to clean the outside of the refractor/lens. Refractor/lens should be washed in a solution of warm water and any mild, non-abrasive household detergent, rinsed with clean water and wiped dry. Should optical assembly become dirty on the inside, wipe refractor/lens and clean in above manner, replacing damaged gaskets as necessary.
- **DO NOT INSTALL DAMAGED PRODUCT!** This luminaire has been properly packed so that no parts should have been damaged during transit. Inspect to confirm. Any part damaged or broken during or after assembly should be replaced.
- Recycle: For information on how to recycle LED electronic products, please visit www.epa.gov.
- These instructions do not purport to cover all details or variations in equipment nor to provide every possible contingency to meet in connection with installation, operation, or maintenance. Should further information be desired or should particular problems arise which are not covered sufficiently for the purchaser's or owner's purposes, this matter should be referred to Acuity Brands Lighting, Inc.

 **WARNING
RISK OF ELECTRIC SHOCK**

- ▶ Disconnect or turn off power before installation or servicing.
- ▶ Verify that supply voltage is correct by comparing it with the luminaire label information.
- ▶ Make all electrical and grounded connections in accordance with the National Electrical Code (NEC) and any applicable local code requirements.
- ▶ All wiring connections should be capped with UL approved wire connectors.

 **CAUTION
RISK OF INJURY**

- ▶ Wear gloves and safety glasses at all times when removing luminaire from carton, installing, servicing or performing maintenance.
- ▶ Avoid direct eye exposure to the light source while it is on.

**WARNING
RISK OF BURN**

- ▶ Allow lamp/fixture to cool before handling. Do not touch enclosure, lens or light source.
- ▶ Do not exceed maximum wattage marked on luminaire label.
- ▶ Follow all manufacturer's warnings, recommendations and restrictions including but not limited to: driver type, burning position, mounting locations/methods, replacement and recycling.
- ▶ Use only lamps that comply with ANSI standards.

 **CAUTION
RISK OF FIRE**

- ▶ Keep combustible and other materials that can burn, away from lamp/lens.
- ▶ Do not operate in close proximity to persons, combustible materials or substances affected by heat.

 **CAUTION
RISK OF PRODUCT DAMAGE**

- ▶ Never connect components under load.
- ▶ Do not mount or support these fixtures in a manner that can cut the outer jacket or damage wire insulation.
- ▶ Unless individual product specifications deem otherwise: Never connect an LED product directly to a dimmer packs, occupancy sensor, timing device, or other related control devices. LED fixtures must be powered directly off a switched circuit.
- ▶ Unless individual product specifications deem otherwise: Do not restrict fixture ventilation. Allow for some volume of airspace around the fixture. Avoid covering LED fixtures with insulation, foam, or other material that will prevent convection or cooling.
- ▶ Unless individual product specifications deem otherwise: Do not exceed fixtures maximum ambient temperature.
- ▶ Only use fixture in its intended location.
- ▶ LED products are Polarity Sensitive. Ensure proper Polarity before installation.
- ▶ Electrostatic Discharge (ESD): ESD can damage LED fixtures. Personal grounding equipment must be worn during all installation or servicing of unit.
- ▶ Do not touch individual electrical components as this can cause ESD, shorten lamp life, or alter performance.
- ▶ Some components inside the fixture may not be serviceable. In the unlikely event your unit may require service, stop using the unit immediately and contact an ABL representative for assistance.
- ▶ Changes or modifications not expressly approved by Acuity Brands Lighting could void the authority to operate the equipment.
- ▶ Always read the fixtures complete installation instructions prior to installation for any additional fixture specific warnings.

This equipment has been tested and found to comply with the limits for a class B digital device, pursuant to part 15 of the FCC Rules. These limits are designed to provide reasonable protection against harmful interference when used in a residential installation. This equipment generates, uses and can radiate radio frequency energy and, if not installed and used in accordance with the instructions may cause harmful interference to radio communications. However, there is no guarantee that interference will not occur in a particular installation. If this equipment does cause harmful interference to radio or television reception, which can be determined by turning the equipment off and on, the user is encouraged to try to correct the interference by one or more of the following measures:

- Reorient or relocate the receiving antenna.
- Increase the separation between the equipment and receiver.
- Connect the equipment into an outlet on a circuit different from that to which the receiver is connected.
- Consult the dealer or an experienced radio/TV technician for help.

5-YEAR LIMITED WARRANTY

Failure to follow any of these instructions could void product warranties. For a complete listing of product Terms and Conditions, please visit www.acuitybrands.com. Acuity Brands Lighting, Inc. assumes no responsibilities for claims arising out of improper or careless installation or handling of its products.

Remove fixture components and parts pack. Check to ensure all parts are included. **Note:** Account for small parts and destroy packing material, as these may be hazardous to children.

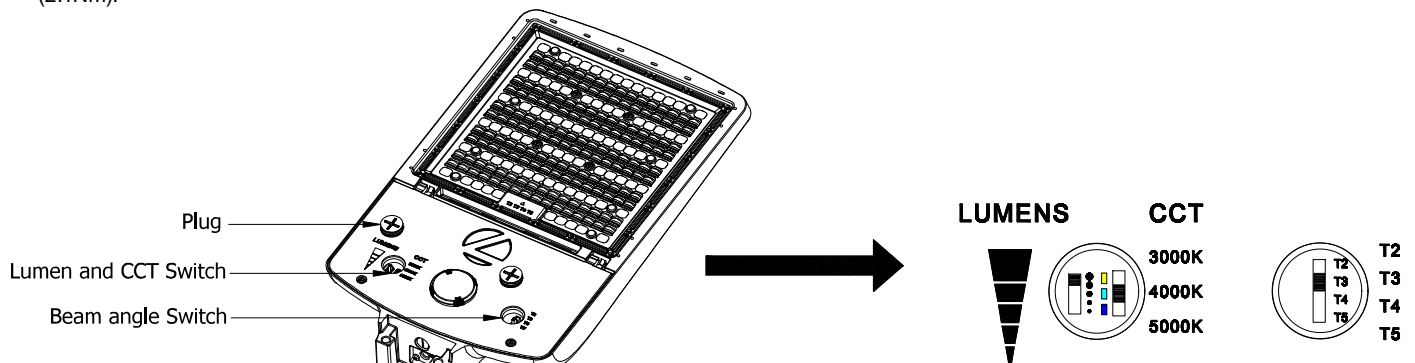
Features	EAX1	EAX2	EAX3
Switchable Color Temperature (CCT)	3000/4000*/5000K		
Switchable Distribution	T2/T3*/T4/T5		
ALO (Adjustable lumen output)(nominal)	*14,000	*30,000	*45,000
P4	12,500	27,000	42,000
P3	10,000	24,000	39,000
P2	7,500	21,000	36,000
P1 (lowest setting on lumens switch)	5,500	18,000	33,000

*Factory default setting

FIELD-ADJUSTABLE SETTINGS See Figure A

*SELECT SETTINGS BEFORE INSTALLATION.
DO NOT CHANGE SWITCH SETTINGS WITH POWER ON.*

- Locate applicable Selector Switch and remove Plug.
- Slide switch to desired value.
- Replace plug. Tighten to min. 1.1ft-lbs (1.5Nm) to max. 1.5ft-lbs (2.1Nm).



CAUTION: WIRING

All wiring must be in accordance with the National Electrical Code and all applicable local codes. Proper grounding is required. Make sure power is turned OFF before installation. Use approved wire connectors.

CAUTION: For proper weatherproof function all gaskets must be seated properly and all screws tightened firmly. Apply weatherproof silicone sealant around the edge of the junction box.

Suitable for Wet location.

DO NOT MOUNT WITH LIGHT AIMING UP

EAX SRA - NON-ADJUSTABLE POLE MOUNT

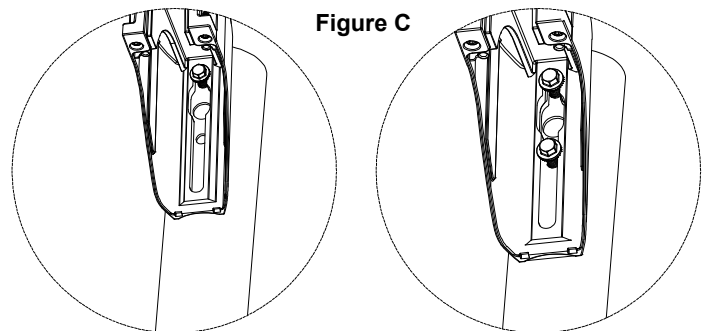
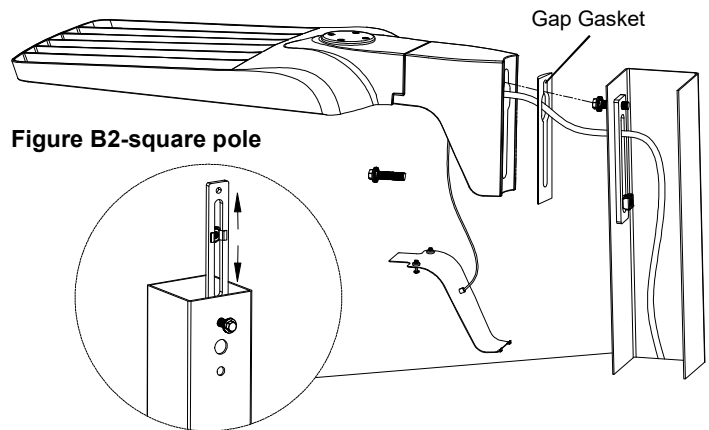
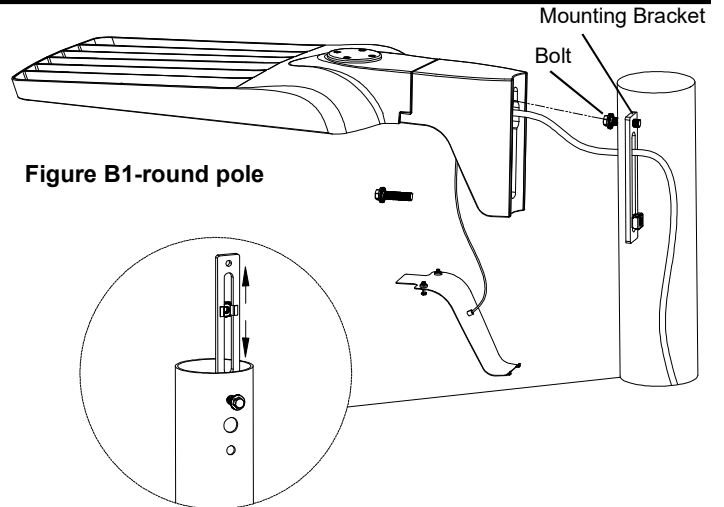
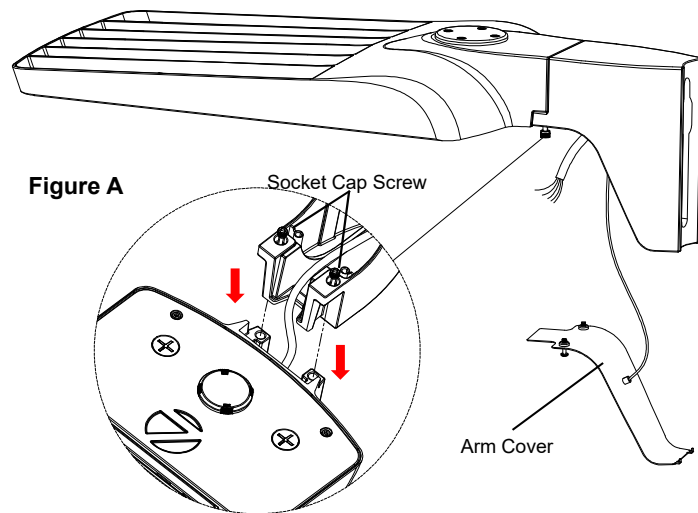
NOTE: This luminaire is pre-wired with UL listed supply wire leads. It is not necessary to access fixture housing to install or wire the luminaire.

Required Tools:

- Phillips head screwdriver
- 3/16" Allen Wrench/ Hex Drive
- 1/4" Socket Drive / Wrench

1. Install SRA arm to Luminaire see Figure A

- Loosen captive Screws in SRA arm cover to open cover (cover is secured by tether to prevent it from falling)
- Feed Luminaire cord through SRA arm and slide SRA mount onto Luminaire mount.
- Tighten two captive Socket Hex cap screws with 3/16" Allen Wrench to 7.37 ft-lbs. (10Nm).



Turn OFF Power at circuit breaker box.
CAUTION: Do not rely on wall switch alone to turn off power.

2. Install to square or round pole (mounting hardware included)
 For Square Pole: min. 3.5" Face & Round Pole: min. 3.0" Diameter

- Prepare mounting bracket by aligning top hole with top hole in pole and adjust the sliding snap-nut to align with bottom drill hole on pole.
- Place mounting bracket inside Pole and insert 3/8" bolt through top hole in pole and thread into top hole of the mounting bracket. See Figure B1
- If mounting to square pole, place Gasket between the pole and arm to fill gap. See Figure B2.
- Feed Luminaire cord into pole.
- Place the luminaire onto the top bolt by passing the head through the keyhole slot, resting the luminaire securely on top bolt and snug the bolt but do not completely tighten yet. **WARNING: THE LUMINAIRE IS NOT COMPLETELY LOCKED DOWN YET. SPECIAL CARE MUST BE TAKEN TO AVOID JARRING THE LUMINAIRE FROM ITS RESTING POINT.**
- Thread the second bolt through the arm slot and into the sliding snap-nut of the mounting bracket. See Fig. C.
- Ensure luminaire is straight/level and no wires are pinched, before tightening the two bolts with a 3/8" socket to 25.8 ft-lb (35+/-10Nm)
- Make power connection as per NEC.

EAX ASRP - ADJUSTABLE ARM POLE MOUNT

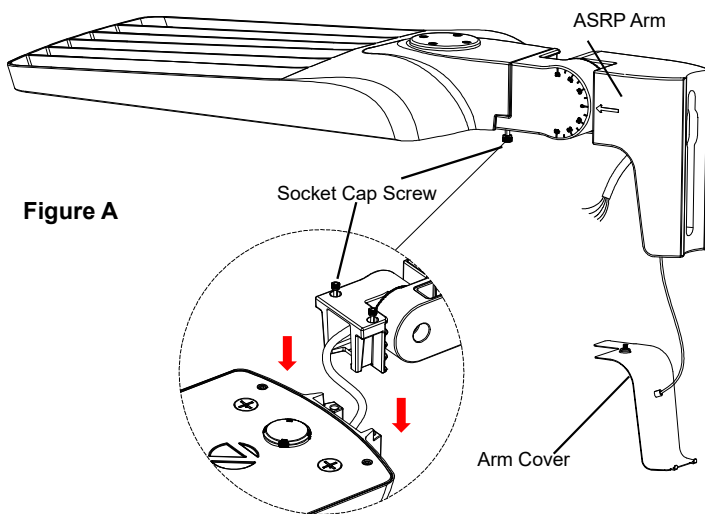
NOTE: This luminaire is pre-wired with UL listed supply wire leads. It is not necessary to access fixture housing to install or wire the luminaire.

Required Tools:

- Phillips Head Screwdriver
- 3/16" Allen Wrench/ Hex Drive
- 3/8" Socket Wrench / Drive

1. Install ASRP arm to Luminaire see Figure A

- Loosen captive Screw in ASRP arm cover to open cover (cover is secured by tether to prevent it from falling)
- Feed Luminaire cord through ASRP knuckle and slide ASRP mount onto Luminaire mount.
- Tighten two captive Socket Hex cap screws with 3/16" Allen Wrench to 7.37 ft-lbs. (10Nm).



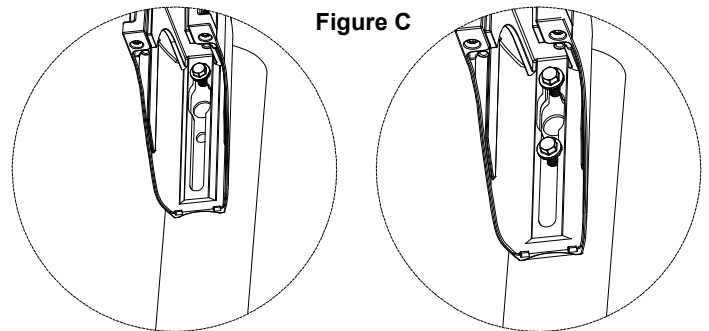
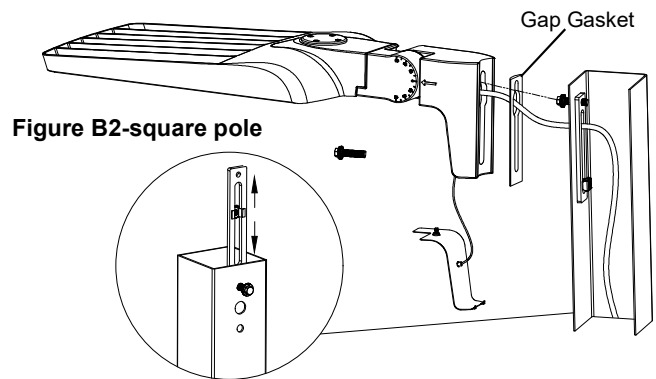
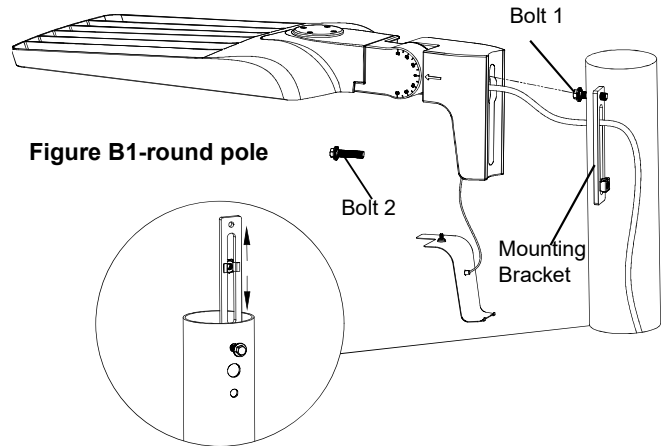
Turn OFF Power at circuit breaker box.

CAUTION: Do not rely on wall switch alone to turn off power.

2. Install to square or round pole (mounting hardware included)

For Square Pole: min. 3.5" Face & Round Pole: min. 3.0" Diameter

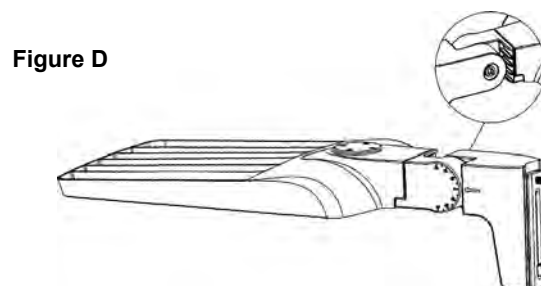
- Prepare mounting bracket by aligning top hole with top hole in pole and adjust the sliding snap-nut to align with bottom drill hole on the pole.
- Place mounting bracket inside Pole and insert 3/8" bolt through top hole in pole and thread into top hole of the mounting bracket. See Figure B1
- If mounting to square pole, place gasket between the pole and arm to fill gap. See Figure B2.
- Feed luminaire cord into pole.
- Place the luminaire onto the top bolt by passing the head through the keyhole slot, resting the luminaire securely on top bolt and snug the bolt but do not completely tighten yet. **WARNING: THE LUMINAIRE IS NOT COMPLETELY LOCKED DOWN YET. SPECIAL CARE MUST BE TAKEN TO AVOID JARRING THE LUMINAIRE FROM ITS RESTING POINT.**
- Thread the second bolt through the arm slot and into the sliding snap-nut of the mounting bracket. See Figure. C.
- Ensure luminaire is straight and level and no wires are pinched, before tightening the two bolts with a 3/8" socket driver to 25.8 ft-lbs (35+/-10Nm).
- Make power connections as per NEC.



3. Tilt angle adjustment

Note: Luminaire can be tilted up to 90 degrees above horizontal

To adjust the tilt angle of the fixture, loosen the 3/8-16 Socket Cap Screw in the Knuckle with a 5/16" Allen wrench, rotate fixture to the desired angle and re-tighten to min. 25.8 ft-lbs (35+/-4Nm) See Figure D.



EAX UPM - UNIVERSAL POLE and SLIPFITTER MOUNT

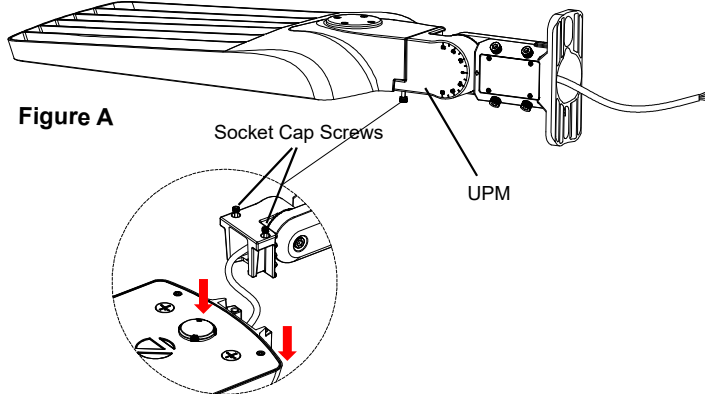
NOTE: This luminaire is pre-wired with UL listed supply wire leads. It is not necessary to access fixture housing to install or wire the luminaire.

Required Tools:

- 3/16" Allen Wrench
- 3/8" Socket Wrench

1. Install UPM arm to Luminaire see Figure A

- Feed Luminaire cord through UPM knuckle and slide UPM mount onto Luminaire mount.
- Tighten 2 Socket Hex cap screws with 3/16" Allen Wrench to 7.37ft-lbs. (10Nm).



Turn OFF Power at circuit breaker box.

CAUTION: Do not rely on wall switch alone to turn off power.

2. Install to square or round pole (mounting hardware included)

For Square Pole: min. 3.5" Face & Round Pole: min. 3.0" Diameter

- Prepare mounting bracket by aligning top hole with top hole in pole and adjust the sliding snap-nut to align with bottom drill hole on pole. *Note: for hole spacing between 4.5" to 5.5".*
- Place mounting bracket inside round Pole and insert 3/8" bolt through top hole on gasket and top hole in pole and thread into top hole of the mounting bracket. See Figure B1
- If mounting to square pole, place Gap Gasket between the pole and arm to fill gap. See Figure B2.
- Thread cord through enter hole into pole cavity.
- Place the luminaire onto the top bolt by passing the head through the keyhole slot, resting the luminaire securely on top bolt and snug the bolt but do not completely tighten yet. **WARNING: THE LUMINAIRE IS NOT COMPLETELY LOCKED DOWN YET. SPECIAL CARE MUST BE TAKEN TO AVOID JARRING THE LUMINAIRE FROM ITS RESTING POINT.**
- Thread the second bolt through the arm slot and into the sliding snap-nut of the mounting bracket. See Fig. C.
- Ensure luminaire is straight/level and no wires are pinched, before tightening the two bolts with a 3/8" socket to 30ft-lbs.

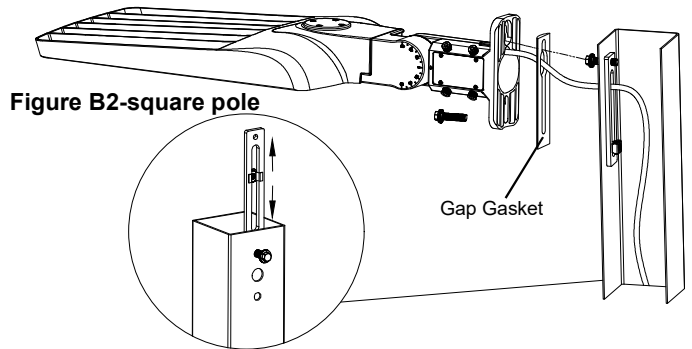


Figure B2-square pole

3. Installation on Tenon (Maximum tenon/pole diameter: 2" schedule 40 pipe (2-3/8" OD))

- Make power connections as per NEC.
- Place the Slipfitter over maximum 2-38" outer diameter Tenon and secure with four 5/16" socket head set screws to 7.3ft-lbs (10+/- 2 Nm) with 5/32" Allen wrench. See Figure C.

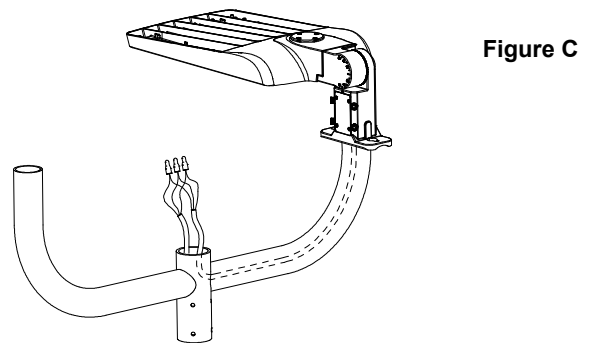
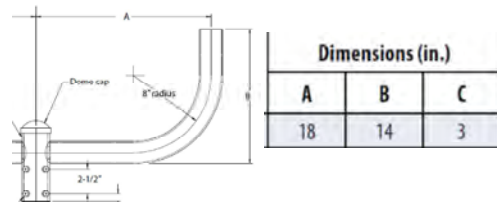


Figure C



4. Tilt angle adjustment

Note: Luminaire can be tilted up to 90 degrees above horizontal

To adjust the tilt angle of the fixture, loosen the 3/8-16 Socket Cap Screw in the Knuckle with a 5/16" Allen wrench, rotate fixture to the desired angle and re-tighten to min. 25.8ft-lbs (35+/-4Nm) See Figure D.

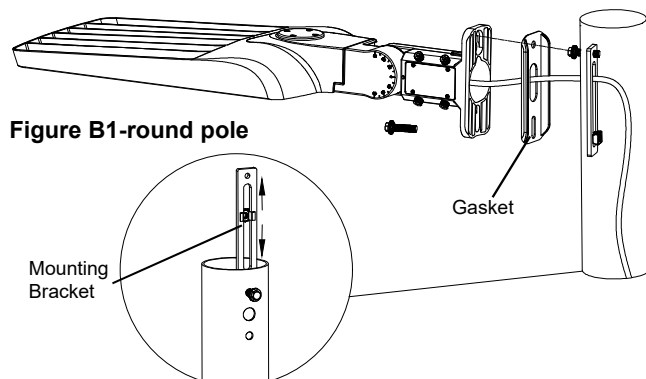


Figure B1-round pole

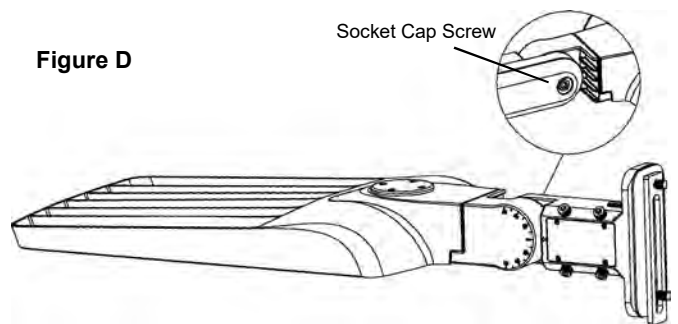


Figure D

EAX IS - VERTICAL TENON MOUNT

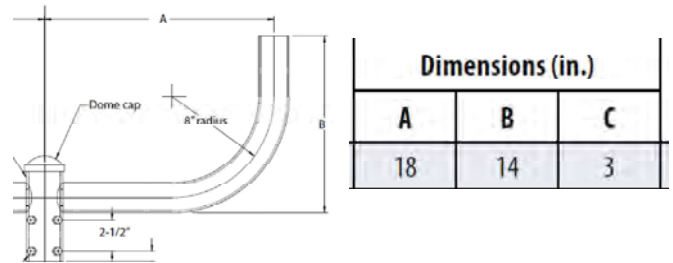
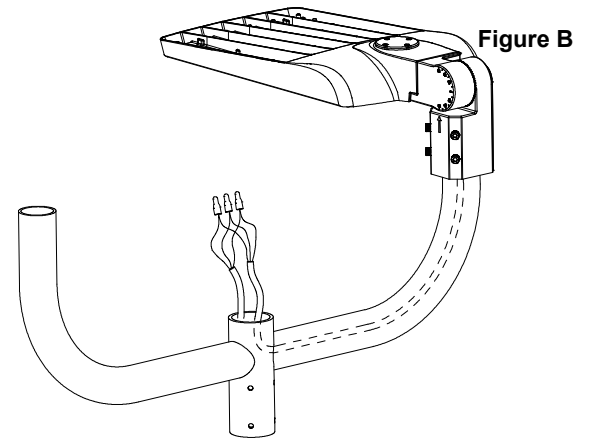
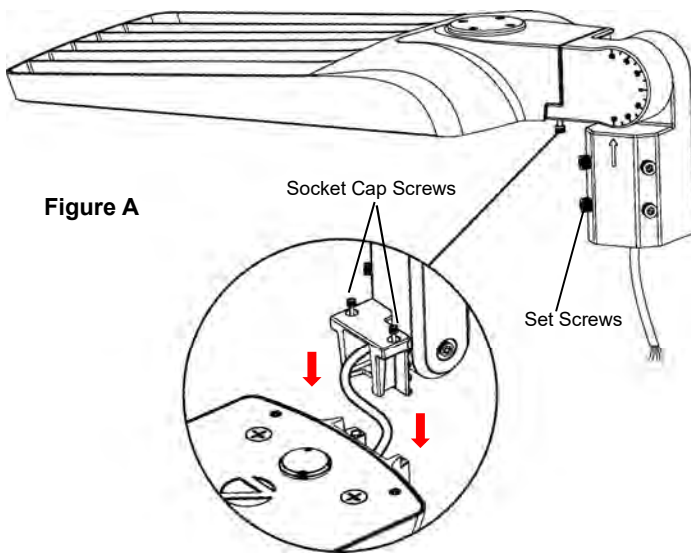
Note: This luminaire is pre-wired with UL listed supply wire leads. It is not necessary to access fixture housing to install or wire the luminaire.

Tools Required:

- 3/16" Allen Wrench
- 5/32" Allen Wrench
- 5/16" Allen Wrench

1. Install IS to Luminaire See Figure A

- Separate Slipfitter assembly by removing the Knuckle Bolt.
- Feed Luminaire cord through Slipfitter, re-assemble the Slipfitter and slide onto Luminaire mount.
- Tighten two Socket Hex cap screws with 3/16" Allen Wrench to 7.37ft-lbs (10+/-2 Nm).

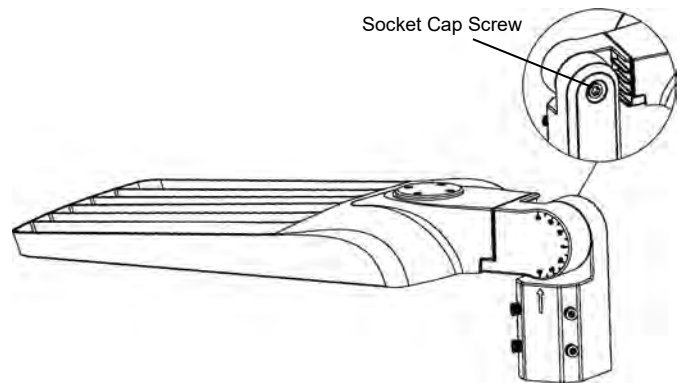


3. Tilt angle adjustment

Note: Luminaire can be tilted up to 90 degrees above horizontal

To adjust the tilt angle of the fixture, loosen the 3/8-16 Socket Cap Screw in the Knuckle with a 5/16" Allen wrench, rotate fixture to the desired angle and re-tighten to min. 25.8ft-lbs (35+/-4Nm) See Figure C.

Figure C



Turn OFF Power at circuit breaker box.

CAUTION: Do not rely on wall switch alone to turn off power.

2. Installation on Tenon (Maximum tenon/pole diameter: 2" schedule 40 pipe (2-3/8" OD))

- Make power connections as per NEC.
- Place the Slipfitter over maximum 2-38" outer diameter Tenon and secure with four 5/16" socket head set screws to 7.3ft-lbs (10+/- 2 Nm) with 5/32" Allen wrench. See Figure B.

EAX YK - YOKE MOUNT

Note: This luminaire is pre-wired with UL listed supply wire leads. It is not necessary to access fixture housing to install or wire the luminaire.

Required Tools:

- 3/16" Allen Wrench/ Hex Drive
- 5/16" Allen Wrench
- 1/32" Allen Wrench/ Hex Drive

1. Install Yoke to Luminaire See Figure A.

- Feed Luminaire cord through center hole of upper Yoke section and slide onto Luminaire mount. Tighten 2 Socket Hex cap screws with 3/16" Allen Wrench to 7.37 ft-lbs. (10Nm) to secure.

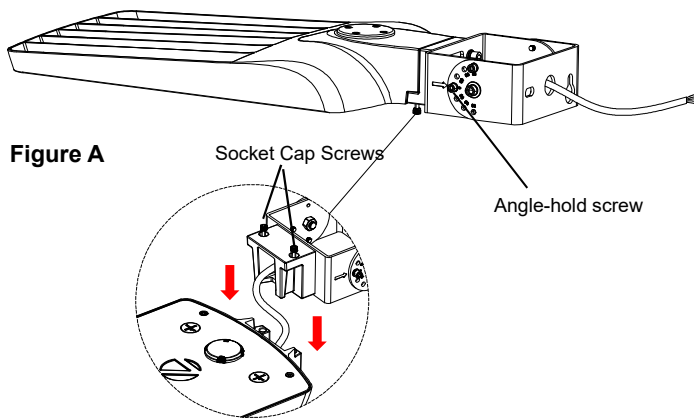
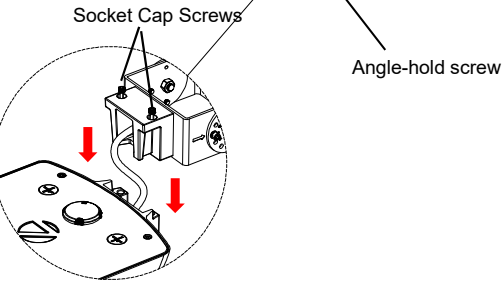


Figure A



Turn OFF Power at circuit breaker box.

CAUTION: Do not rely on wall switch alone to turn off power.

2. Secure Yoke to bracketry

Note: Mounting hardware is not provided

- It is recommended to mount Yoke to the desired bracketry with one 5/8" (center hole) or two 1/2" bolts (outer holes), lock washer, and nut (not provided). See Figure B for mounting hole pattern.

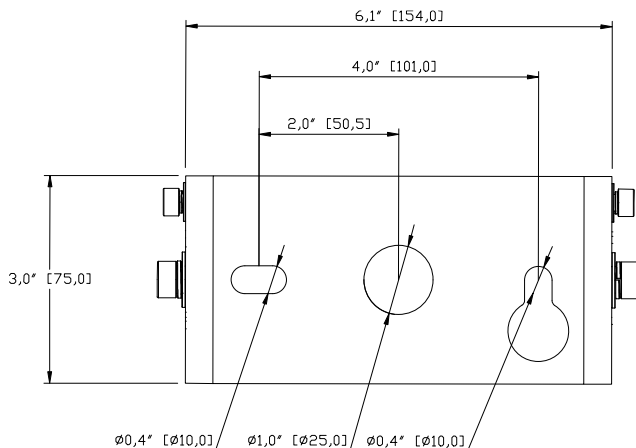


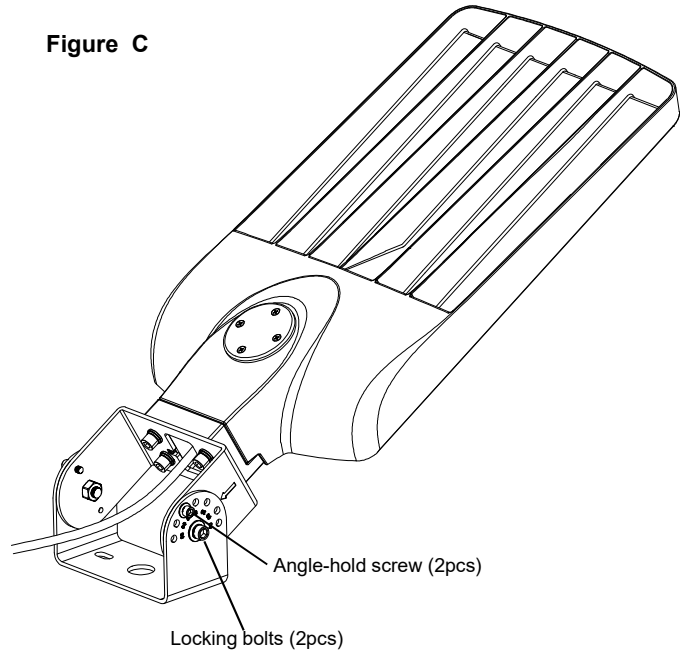
Figure B

3. Tilt angle adjustment

Note: Luminaire can be tilted up to 90 degrees above horizontal
DO NOT MOUNT WITH LIGHT AIMING UP

- With the yoke mounted securely, remove the Angle-hold Screw on Yoke.
- Support the weight of the luminaire and loosen the 3/8" Locking bolts on both sides of the Yoke just enough so the yoke can be adjusted.
- When positioned in desired angle, reinstall the 1/4-20 Angle-hold screw and tighten to 11 ft-lbs (15+/-1Nm) to hold angle while tightening Locking bolts.
- Re-tighten 3/8" Locking bolts with a 5/16" Allen wrench, to 25.8 ft-lbs (35+/-4Nm) See Figure C.

Figure C



EAX WBA - WALL MOUNT

NOTE: This luminaire is pre-wired with UL listed supply wire leads. It is not necessary to access fixture housing to install or wire the luminaire.

Tools required:

- 3/16" Allen Wrench/ Hex drive
- 1/4" Allen Wrench/ Hex drive

Mounting Hardware and Silicone Sealant Required Purchase Separately

1. Install Wall Mount Box Cover to Luminaire see Figure A

- Separate the Wall Mount Box Cover from the Wall Mount Box.
- Feed Luminaire cord through hole of Wall Mount Box Cover and slide onto Luminaire mount. See Figure A.
- Tighten two captive Socket Hex cap screws to 7.37ft-lbs. (10Nm) to secure.

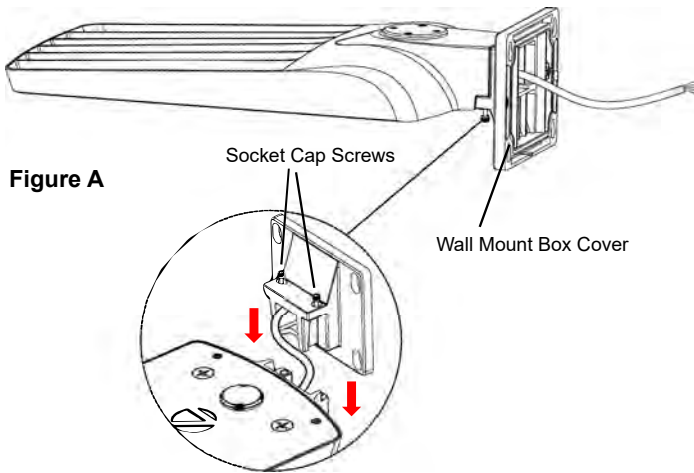


Figure A

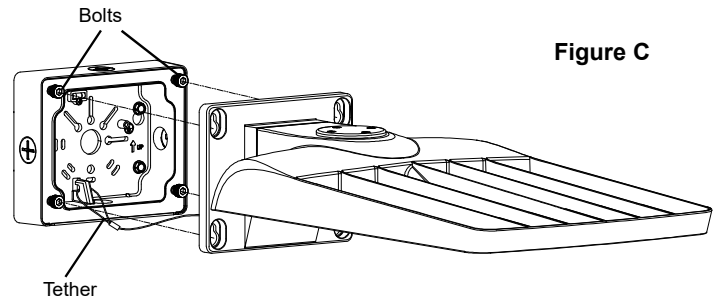


Figure C

Turn OFF Power at circuit breaker box.

CAUTION: Do not rely on wall switch alone to turn off power.

2. Secure Wall Mount Box to mounting surface

- Feed supply wires into Wall Mount Box.
- Orient Wall Mount Box with Arrow facing UP, verify Box is level and secure the Wall Box to a sturdy surface using appropriate hardware (not provided). See Figure B

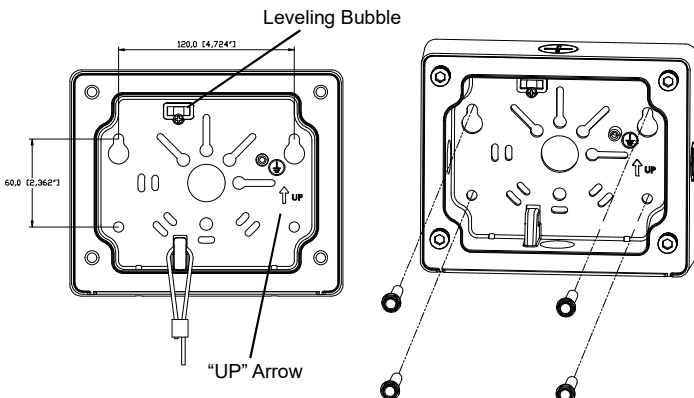


Figure B

3. Mount Luminaire

- Bring Luminaire up to the Wall Mount Box and hook the Tether to the loop inside the Wall Mount Box Cover for hands free wiring.
- Make power connections as per NEC.
- Align keyhole slots on Wall Mount Cover with Bolts in corners of Wall Mount Box and place the luminaire on top of bolts by passing the head through the keyhole slots, resting the luminaire securely on bolts while tightening four Socket hex cap bolts to 11ft-lbs (15Nm). See Figure C.
- Insert Rubber plugs into keyhole slots to cover screw heads.
- Apply weatherproof silicone sealant around the edge of the Wall Mount Box and/or junction box. This is especially important with an uneven surface.

EAX HSEGS - House side shield

Tools required:

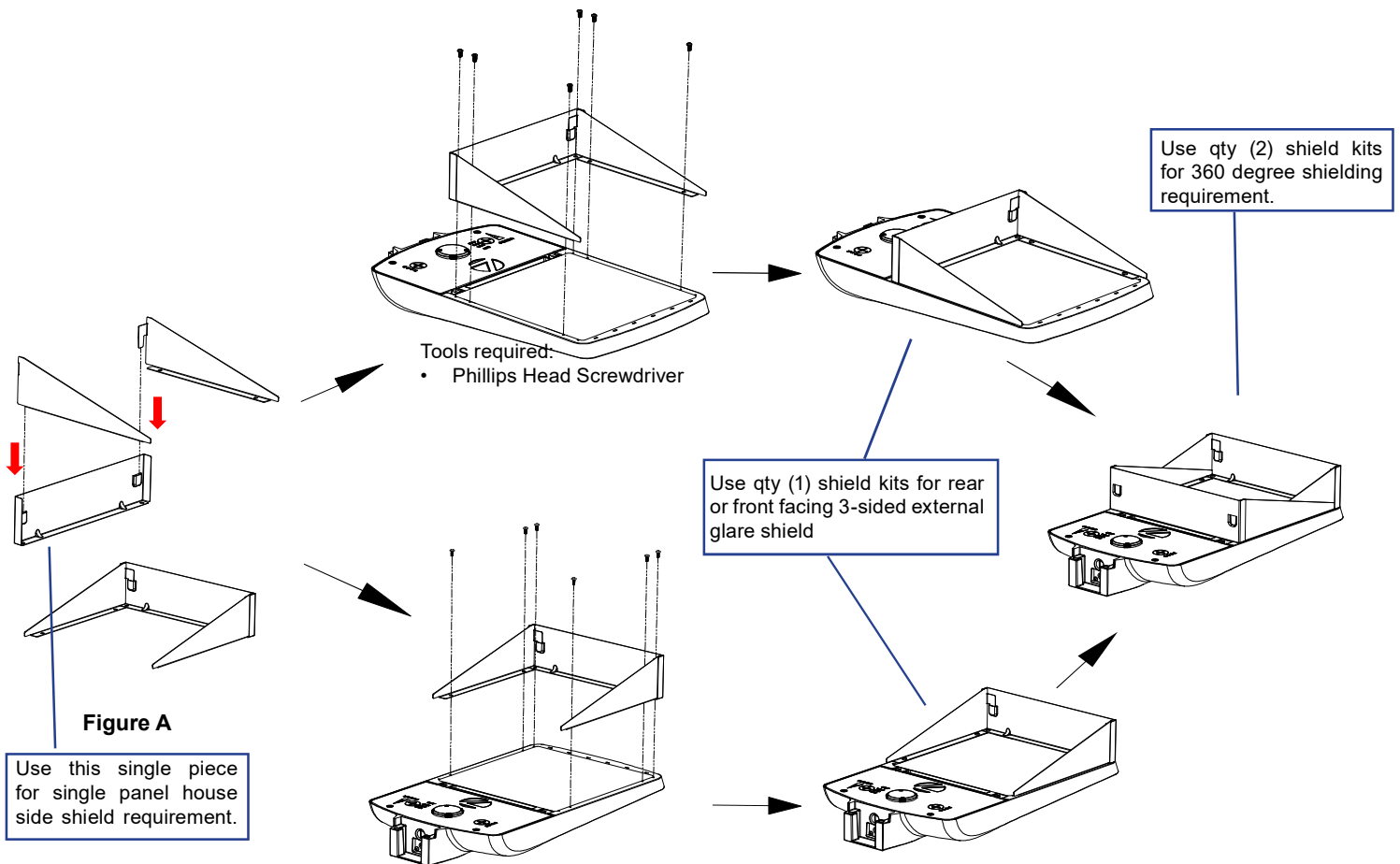
- Phillips Head Screwdriver

1. Assemble three-piece House Side Shield

- Align lance on side piece with slot in end piece and insert. Repeat with 2nd side piece. See Figure A.

2. Install House Side Shield See Figure below

- Align holes in House Side Shield with holes on luminaire edge.
- Use screws provided to secure and tighten to 0.73 +/-0.03ft-lbs. (1.0 +/-0.05Nm) to secure.



LEA Y SIGA LAS INSTRUCCIONES DE INSTALACIÓN

- Para reducir el riesgo de muerte, lesiones personales o daño a la propiedad que pueda surgir de incendios, choques eléctricos, cortes, abrasiones, caída de partes y otros peligros lea todas las advertencias e instrucciones incluidas en la caja o su interior, además de las etiquetas del montaje.
- Antes de instalar o revisar el equipo, o realizar mantenimiento de rutina, siga estas precauciones generales.
- La instalación, la revisión y el mantenimiento comerciales de las luminarias debe ser realizada por un electricista calificado autorizado.
- La En el caso de instalaciones residenciales: Si no está seguro sobre la instalación o el mantenimiento de las luminarias, consulte a un electricista calificado autorizado y verifique el código eléctrico local.
- Este montaje ha sido diseñado para conectarse a una caja de unión aprobada por UL debidamente instalada y puesta a tierra.
- Cada tanto será necesario limpiar la parte externa del refractor y de la lente. La frecuencia de la limpieza dependerá del nivel de polvo del ambiente y de la potencia de la luz mínima aceptable para el usuario. El refractor/la lente se debe lavar con una solución de agua tibia y detergente de uso doméstico suave no abrasivo, enjuagar con agua limpia y secar. Si el montaje óptico se ensuciara por dentro, limpie el refractor o la lente como se indicó anteriormente; de ser necesario, reemplace las juntas dañadas.
- **NO INSTALE EL PRODUCTO SI ESTÁ DAÑADO**
- Reciclado: Para obtener información sobre cómo reciclar productos electrónicos LED, visite www.epa.gov.
- Estas instrucciones no pretenden cubrir todos los detalles o las variaciones de los equipos ni abarcar todas las posibles eventualidades relacionadas con la instalación, el funcionamiento o el mantenimiento. Si necesita más información o surgen problemas específicos que no están debidamente cubiertos en la información del producto, remítase a Acuity Brands Lighting, Inc.



ADVERTENCIA RIESGO DE CHOQUE ELÉCTRICO

- ▶ Desconecte o interrumpa la energía eléctrica antes de realizar la instalación o la reparación.
- ▶ Verifique que el voltaje de alimentación sea correcto; compárelo con la información de la etiqueta de la luminaria.
- ▶ Realice todas las conexiones eléctricas y a tierra en cumplimiento del Código Eléctrico Nacional y de los requisitos del código local vigente.
- ▶ Todas las conexiones de cableado deben cubrirse con conectores para cable reconocidos y aprobados por UL.



PRECAUCIÓN RIESGO DE LESIONES

- ▶ Use gafas y guantes de protección en todo momento al retirar la luminaria de la caja, al instalarla, repararla o realizar operaciones de mantenimiento.
- ▶ Una vez encendida la fuente de luz, evite la exposición directa con los ojos.



ADVERTENCIA RIESGO DE QUEMADURAS

- ▶ Antes de manipular el montaje, déjelo enfriar. No toque la carcasa ni la fuente de iluminación.
- ▶ No supere el voltaje máximo señalado en la etiqueta de la luminaria.
- ▶ Respete todas las advertencias, recomendaciones y restricciones que proporciona el fabricante para: tipo de conductor, posición de funcionamiento, puntos o métodos de montaje, reemplazo y reciclado.
- ▶ Use sólo lámparas que cumplan los estándares ANSI.



PRECAUCIÓN RIESGO DE INCENDIO

- ▶ Mantenga lejos de la luminaria y de las lámparas/lentes, los materiales combustibles y de otro tipo que se puedan incendiar.
- ▶ No las encienda cerca de personas, materiales combustibles o sustancias inflamables.



PRECAUCIÓN RIESGO DE DAÑO PARA EL PRODUCTO

- ▶ Jamás conecte componentes bajo carga.
- ▶ No monte estos montajes de manera que puedan cortar el revestimiento exterior o dañar el aislamiento de los cables.
- ▶ A menos que las especificaciones del producto individual consideren lo contrario: jamás conecte un producto LED directamente a un paquete de reducción de intensidad de la luz, sensores de ocupación, dispositivos de temporización ni demás dispositivos de control relacionados. Los montajes LED se deben apagar directamente de un circuito de interruptores.
- ▶ A menos que las especificaciones del producto individual consideren lo contrario: no limite la ventilación del montaje. Deje un poco de espacio alrededor del montaje. Evite cubrir los montajes LED con aislación, goma u otro material que evitará la convección o el enfriamiento de la conducción.
- ▶ A menos que las especificaciones del producto individual consideren lo contrario: no supere la temperatura ambiente máxima para el montaje.
- ▶ Use el montaje sólo en la ubicación para la que está diseñado.
- ▶ Los productos LED son sensibles a la polaridad. Asegure la correcta polaridad antes de la instalación.
- ▶ Descarga electrostática (DES): la DES puede dañar los montajes LED. Durante la instalación o reparación de la unidad se debe usar siempre equipo personal conectado a tierra.
- ▶ No toque componentes eléctricos individuales ya que esto puede causar DES, reducir la vida útil de la lámpara o alterar el funcionamiento.
- ▶ Es posible que algunos componentes dentro del montaje no se puedan reparar. En el caso improbable de que su unidad requiera reparación, deje de usar la unidad inmediatamente y comuníquese con un representante de ABL para obtener ayuda.
- ▶ Los cambios o modificaciones no aprobados expresamente por Acuity Brands Lighting pueden anular la autoridad del usuario para usar el equipo.
- ▶ Lea siempre las instrucciones de instalación completa de montaje antes de la instalación para verificar si hay advertencias específicas de montaje adicionales.
- ▶ Asegúrese siempre de que el sistema de distribución eléctrica cumpla con los requisitos del NEC (y los códigos locales aplicables).
- ▶ Verifique que el sistema de distribución de alimentación tenga una conexión a tierra adecuada. La falta de una toma de tierra adecuada puede conducir a una falla de la luminaria y puede anular la garantía.

Todas las luminarias que contienen dispositivos eléctricos que generan frecuencias superiores a 9 kHz desde cualquier componente de la luminaria cumplen con la Parte 15 de las reglas de la FCC. El funcionamiento está sujeto a las siguientes dos condiciones:

- (1) este dispositivo no puede ocasionar interferencias perjudiciales, y
- (2) este dispositivo debe aceptar cualquier interferencia recibida, incluso aquellas que pueden ocasionar un mal funcionamiento.

Este dispositivo cumple con la Parte 15 de las reglas de la FCC pero puede ocasionar interferencia con teléfonos inalámbricos y celulares, radios, televisores y otros dispositivos electrónicos. Para corregir el problema, aleje el dispositivo de la luminaria o enchúfelo en otra toma de corriente. Este producto puede ocasionar interferencia en equipos de radio y no se debe instalar cerca de equipos de comunicación de seguridad marítima u otros equipos de comunicación o navegación crítica que funcionen en el rango de 0.45 a 30 MHz.

GARANTÍA LIMITADA POR 5 AÑOS

El incumplimiento de alguna de estas instrucciones puede anular la garantía del producto. Para obtener la lista completa de los términos y las condiciones respecto al producto, visite www.acuitybrands.com. Acuity Brands Lighting, Inc. no se hace responsable por los reclamos que puedan surgir de la instalación o manipulación inadecuada o negligente de sus productos.

Quite los componentes del luminario y el paquete de piezas. Verifique que todas las piezas estén incluidas. *Nota:* Tenga cuidado con las piezas pequeñas y destruya el material de embalaje, ya que pueden ser peligrosos si están al alcance de niños.

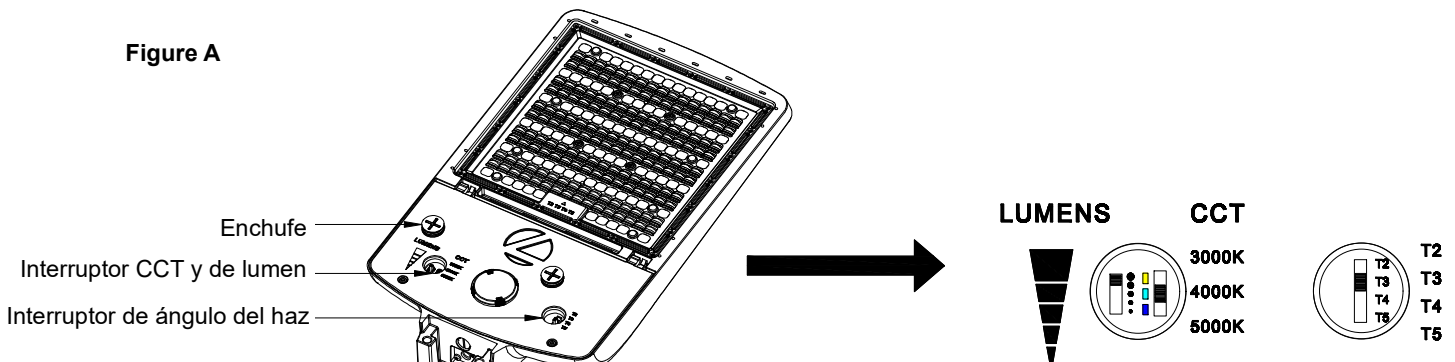
Características	EAX1	EAX2	EAX3
Temperatura de color conmutable (CCT)	3000/4000*/5000K		
Distribución conmutable	T2/T3*/T4/T5		
ALO (Lúmenes ajustables)	*14,000	*30,000	*45,000
P4	12,500	27,000	42,000
P3	10,000	24,000	39,000
P2	7,500	21,000	36,000
P1	5,500	18,000	33,000

*Configuración de fábrica

CONFIGURACIONES AJUSTABLES EN CAMPO See Figure A
SELECCIONE LAS CONFIGURACIONES ANTES DE INSTALAR.
NO CAMBIE LAS CONFIGURACIONES DE LOS INTERRUPTORES
MIENTRAS ESTÁN CONECTADOS.

- Localice el selector correspondiente y quite el enchufe.
- Deslice el interruptor hasta alcanzar el valor deseado.
- Reemplace el enchufe. Ajuste a un mínimo de 1.1 lb-pie (1.5 Nm) hasta un máximo de 1.5 lb-pie (2.1 Nm).

Figure A



PRECAUCIÓN: CABLEADO

Todo el cableado debe realizarse de conformidad con el Código Eléctrico Nacional y todos los códigos locales que correspondan.

Se debe hacer una conexión a tierra adecuada.

Asegúrese de que la alimentación esté desconectada antes de instalar.

Use conectores para cable aprobados.

PRECAUCIÓN: Para un correcto funcionamiento resistente a la intemperie, todas las juntas deben estar bien asentadas y todos los tornillos, firmemente apretados. Alrededor del borde de la caja de conexión, aplique sellador de silicona resistente a la intemperie.

Adecuado para lugares húmedos.

NO MONTAR CON LA LUZ APUNTANDO HACIA ARRIBA

EAX SRA - MONTAJE DEL POSTE NO AJUSTABLE

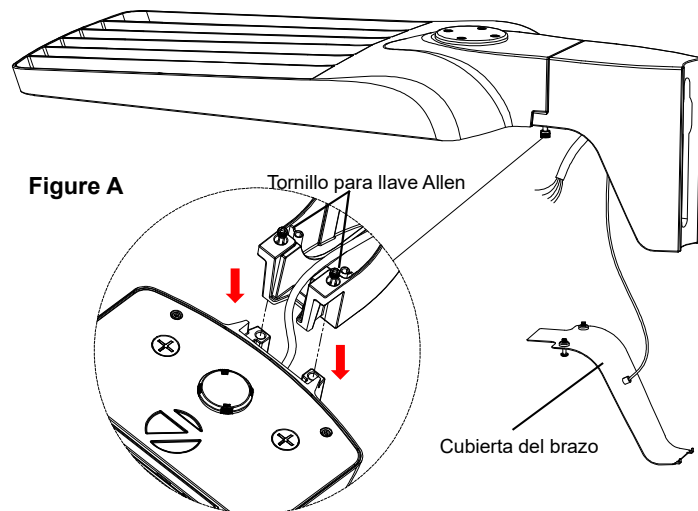
NOTA: Esta luminaria viene precableada con cables de suministro certificados por la UL. No es necesario acceder a la carcasa de la luminaria para instalarla o cablearla.

Herramientas necesarias:

- Destornillador Phillips
- Llave Allen de 3/16"
- Llave de dado de 1/4"

1. Instale el brazo SRA a la luminaria; consulte la Figura A

- Afloje los tornillos cautivos de la cubierta del brazo SRA para abrirla (está asegurada con una sujeción para evitar que se caiga).
- Pase el cable de la luminaria por el brazo SRA y deslice el montaje SRA sobre el montaje de la luminaria.
- Apriete los dos tornillos cautivos de cabeza hexagonal con una llave Allen de 3/16" a 7,37 ft-lb (10 nm).



DESCONECTE la energía eléctrica de la caja del disyuntor.

PRECAUCIÓN: No confíe solo del interruptor de pared para desconectar la energía eléctrica.

2. Instale en el poste cuadrado o redondo (los componentes de montaje vienen incluidos) Para el poste cuadrado: mín. 3,5" Cara y poste redondo: mín. 3,0" de diámetro

- Prepare el soporte de montaje alineando el orificio superior con el orificio superior del poste y ajuste la tuerca deslizante de presión para alinearla con el orificio inferior del poste.
- Coloque el soporte de montaje dentro del poste e inserte un tornillo de 3/8" a través del orificio superior del poste y enrósquelo en el orificio superior del soporte de montaje. Consulte la Figura B1.
- Si se montará un poste cuadrado, coloque una junta entre el poste y el brazo para rellenar el espacio. Consulte la Figura B2.
- Introduzca el cable de la luminaria en el poste.
- Coloque la luminaria en el tornillo superior pasando la cabeza por la ranura en forma de ojo de cerradura, apoyando la luminaria firmemente en el tornillo superior, y apriete el tornillo, pero no por completo todavía. **ADVERTENCIA: LA LUMINARIA AÚN NO ESTÁ COMPLETAMENTE BLOQUEADA. SE DEBE TENER ESPECIAL CUIDADO PARA EVITAR QUE LA LUMINARIA SE SACUDA Y SE SALGA DE SU PUNTO DE APOYO.**
- Enrosque el segundo tornillo a través de la ranura del brazo y en la tuerca deslizante de presión en el soporte de montaje. Consulte la Figura C.
- Antes de apretar los dos tornillos con una llave hexagonal de 3/8" a 35+/-10 nm (25,8 ft-lb), asegúrese de que la luminaria esté derecha y nivelada, y que los cables no presenten pellizcos.
- Realice las conexiones eléctricas según el Código Eléctrico Nacional.

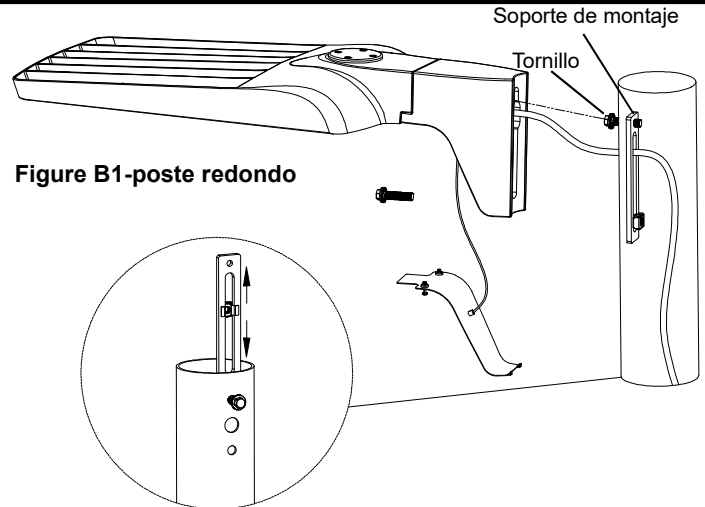


Figure B1-poste redondo

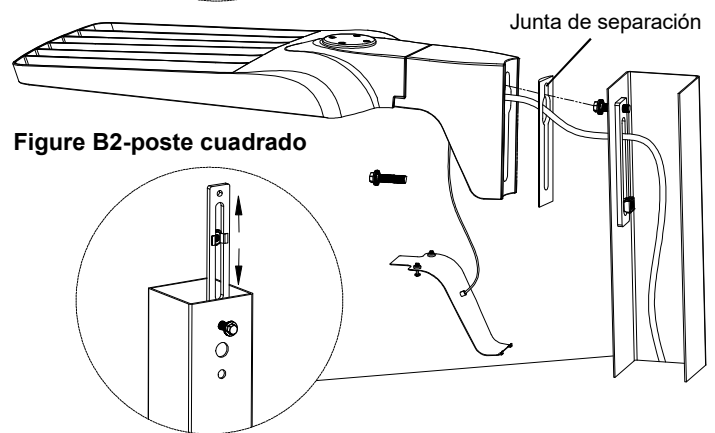


Figure B2-poste cuadrado

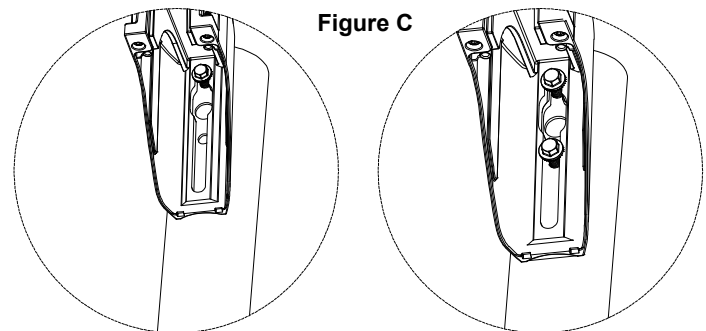


Figure C

EAX ASRP - MONTAJE DEL POSTE CON BRAZO AJUSTABLE

NOTA: Esta luminaria viene precableada con cables de suministro certificados por la UL. No es necesario acceder a la carcasa de la luminaria para instalarla o cablearla.

Herramientas necesarias:

- Destornillador Phillips
- Llave Allen de 3/16"
- Llave de dado de 3/8"

1. Instale el brazo ASRP a la luminaria; consulte la Figura A

- Afloje los tornillos cautivos de la cubierta del brazo ASRP para abrirla (está asegurada con una sujeción para evitar que se caiga).
- Pase el cable de la luminaria por la articulación ASRP y deslice el montaje ASRP sobre el montaje de la luminaria.
- Apriete los dos tornillos cautivos de cabeza hexagonal con una llave Allen de 3/16" a 7,37 ft-lb (10 nm).

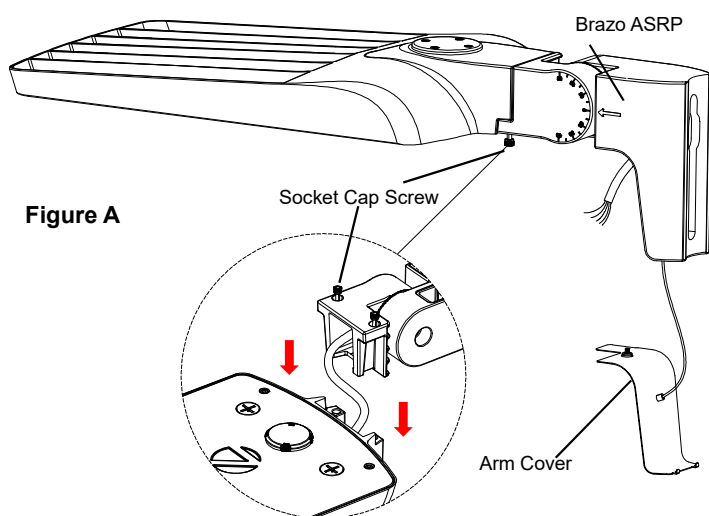


Figure A

DESCONECTE la energía eléctrica de la caja del disyuntor.
PRECAUCIÓN: No confíe solo del interruptor de pared para desconectar la energía eléctrica.

2. Install to square or round pole (mounting hardware included)

For Square Pole: min. 3.5" Face & Round Pole: min. 3.0" Diameter

- Prepare mounting bracket by aligning top hole with top hole in pole and adjust the sliding snap-nut to align with bottom drill hole on the pole.
- Place mounting bracket inside Pole and insert 3/8" bolt through top hole in pole and thread into top hole of the mounting bracket. See Figure B1
- If mounting to square pole, place gasket between the pole and arm to fill gap. See Figure B2.
- Feed luminaire cord into pole.
- Place the luminaire onto the top bolt by passing the head through the keyhole slot, resting the luminaire securely on top bolt and snug the bolt but do not completely tighten yet. **WARNING: THE LUMINAIRE IS NOT COMPLETELY LOCKED DOWN YET. SPECIAL CARE MUST BE TAKEN TO AVOID JARRING THE LUMINAIRE FROM ITS RESTING POINT.**
- Thread the second bolt through the arm slot and into the sliding snap-nut of the mounting bracket. See Figure C.
- Ensure luminaire is straight and level and no wires are pinched, before tightening the two bolts with a 3/8" socket driver to 25.8 ft-lbs (35+/-10Nm).
- Make power connections as per NEC.

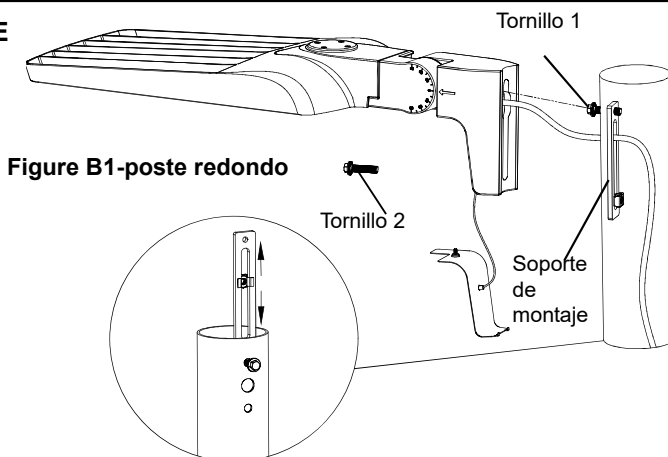


Figure B1-poste redondo

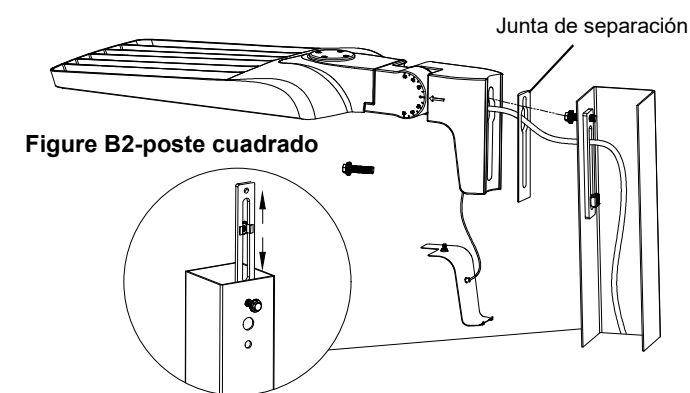


Figure B2-poste cuadrado

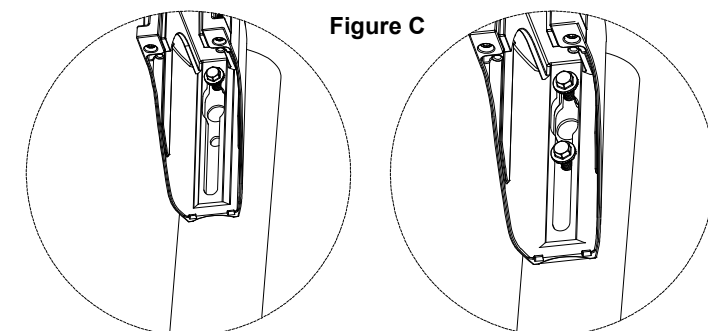


Figure C

3. Ajuste del ángulo de inclinación

Nota: La luminaria puede inclinarse hasta 90 grados sobre la posición horizontal

Para ajustar el ángulo de inclinación de la luminaria, afloje el tornillo para llave Allen de 3/8-16 de la articulación con una llave Allen de 5/16", gire la luminaria hasta el ángulo deseado y vuelva a ajustar a un mínimo de 25,8 ft-lb (35+/-4 nm). Consulte la Figura D.

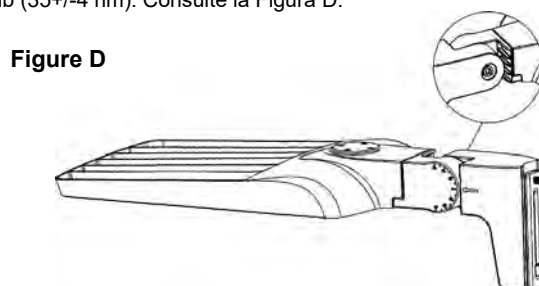


Figure D

EAX UPM - MONTAJE UNIVERSAL DEL POSTE y el POSICIONADOR DESLIZANTE

NOTA: Esta luminaria viene precableada con cables de suministro certificados por la UL. No es necesario acceder a la carcasa de la luminaria para instalarla o cablearla.

Herramientas necesarias:

- Llave Allen de 3/16"
- Llave de dado de 3/8"

1. Instale el brazo UPM a la luminaria; consulte la Figura A

- Pase el cable de la luminaria por la articulación UPM y deslice el montaje UPM sobre el montaje de la luminaria.
- Apriete los 2 tornillos de cabeza hexagonal con una llave Allen de 3/16" a 7,37 ft-lb (10 nm).

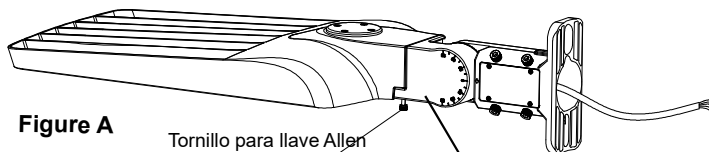
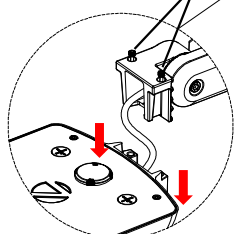


Figure A

Tornillo para llave Allen

UPM



DESCONECTE la energía eléctrica de la caja del disyuntor.

PRECAUCIÓN: No confíe solo del interruptor de pared para desconectar la energía eléctrica.

2. Instale en el poste cuadrado o redondo (los componentes de montaje vienen incluidos) Para el poste cuadrado: mín. 3,5" Cara y poste redondo: mín. 3,0" de diámetro

- Prepare el soporte de montaje alineando el orificio superior con el orificio superior del poste y ajuste la tuerca deslizante de presión para alinearla con el orificio inferior en el poste. Nota: Para espacios entre orificios de 4,5" a 5,5".
- Coloque el soporte de montaje dentro del poste redondo e inserte un tornillo de 3/8" a través del orificio superior de la junta y el orificio superior del poste, y enrósquelo en el orificio superior del soporte de montaje. Consulte la Figura B1.
- Si se montará un poste cuadrado, coloque una junta de separación entre el poste y el brazo para rellenar el espacio. Consulte la Figura B2.
- Pase el cable a través del orificio de entrada hacia la cavidad del poste.
- Coloque la luminaria en el tornillo superior pasando la cabeza por la ranura en forma de ojo de cerradura, apoyando la luminaria firmemente en el tornillo superior, y apriete el tornillo, pero no por completo todavía. **ADVERTENCIA: LA LUMINARIA AÚN NO ESTÁ COMPLETAMENTE BLOQUEADA. SE DEBE TENER ESPECIAL CUIDADO PARA EVITAR QUE LA LUMINARIA SE SACUDA Y SE SALGA DE SU PUNTO DE APOYO.**
- Enrosque el segundo tornillo a través de la ranura del brazo y en la tuerca deslizante de presión en el soporte de montaje. Consulte la Figura C.
- Antes de apretar los dos tornillos con una llave de 3/8" a 30 ft-lb, asegúrese de que la luminaria esté derecha/nivelada y que los cables no presenten pellizcos.

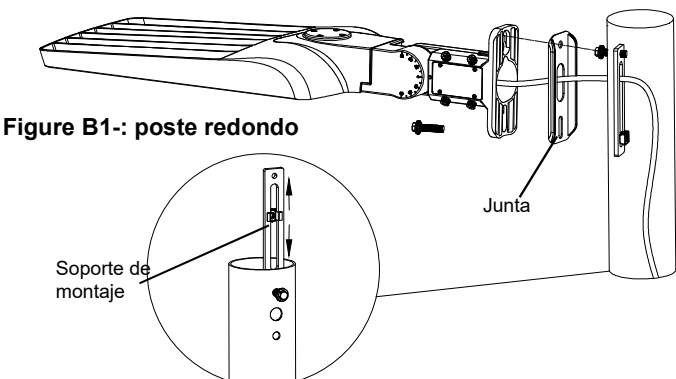


Figure B1: poste redondo

Junta

Soporte de montaje

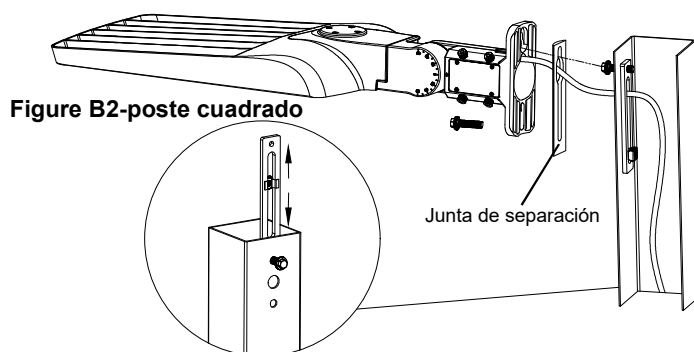


Figure B2-poste cuadrado

Junta de separación

3. Instalación sobre la espiga (Diámetro máximo de la espiga/el poste: Tubo de 2" Schedule 40 (diámetro externo de 2-3/8"))

- Realice las conexiones eléctricas según el Código Eléctrico Nacional.
- Coloque el posicionador deslizante sobre la espiga con un diámetro externo máximo de 2-38" y asegúrelo con cuatro tornillos de sujeción de cabeza hexagonal de 5/16" a 7,3ft-lb (10+/- 2 nm) usando una llave Allen de 5/32". Consulte la Figura C.

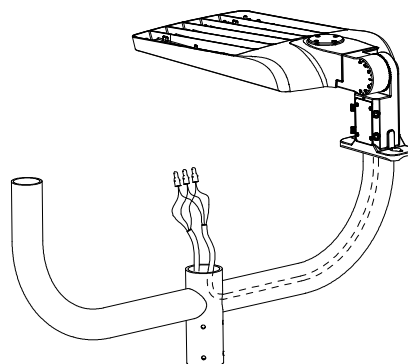
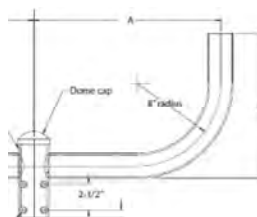


Figure C



Dimensiones (in.)		
A	B	C
18	14	3

4. Ajuste del ángulo de inclinación

Nota: La luminaria puede inclinarse hasta 90 grados sobre la posición horizontal

Para ajustar el ángulo de inclinación de la luminaria, afloje el tornillo para llave Allen de 3/8-16 de la articulación con una llave Allen de 5/16", gire la luminaria hasta el ángulo deseado y vuelva a ajustar a un mínimo de 25,8 ft-lb (35+/-4 nm). Consulte la Figura D.

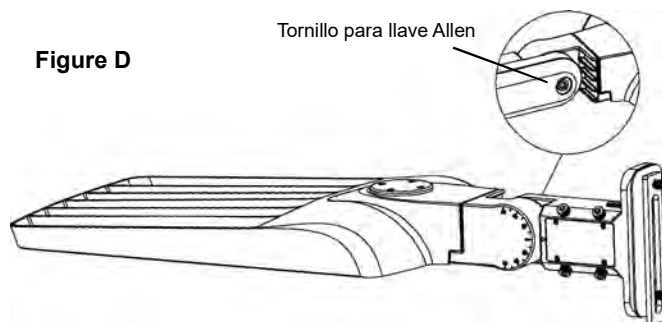


Figure D

Tornillo para llave Allen

EAX IS - MONTAJE DE LA ESPIGA VERTICAL

NOTA: Esta luminaria viene precableada con cables de suministro certificados por la UL. No es necesario acceder a la carcasa de la luminaria para instalarla o cablearla.

Herramientas necesarias:

- Llave Allen de 3/16"
- Llave Allen de 5/32"
- Llave Allen de 5/16"

1. Instale IS a la luminaria; consulte la Figura A

- Separe el conjunto Slipfitter quitando el perno de articulación.
- Pase el cable de la luminaria a través del Slipfitter, vuelva a ensamblar el Slipfitter y deslícelo sobre el soporte de la luminaria.
- Apriete los 2 tornillos de cabeza hexagonal con una llave Allen

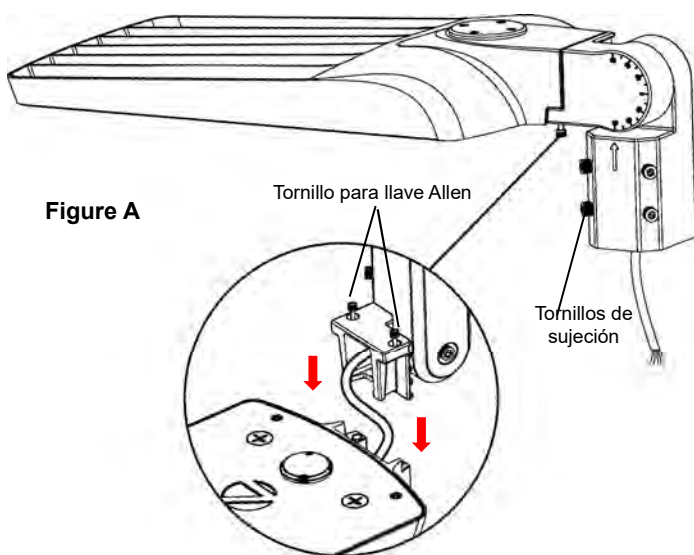


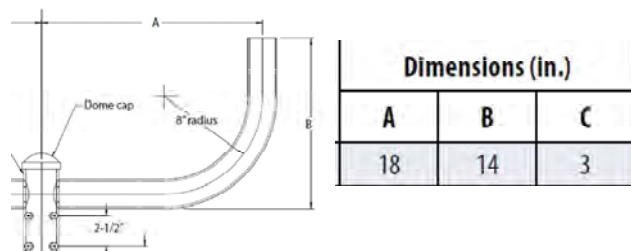
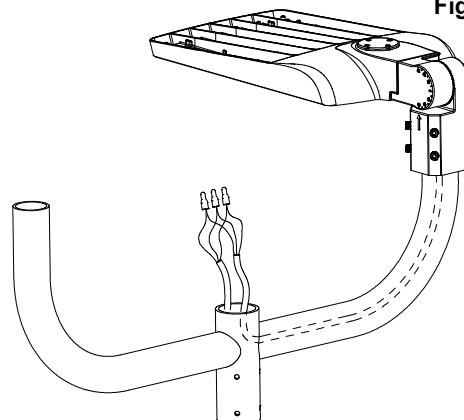
Figure A

DESCONECTE la energía eléctrica de la caja del disyuntor.
PRECAUCIÓN: No confíe solo del interruptor de pared para desconectar la energía eléctrica.

2. Instalación sobre la espiga (Diámetro máximo de la espiga/el poste: Tubo de 2" Schedule 40 (diámetro externo de 2-3/8"))

- Realice las conexiones eléctricas según el Código Eléctrico Nacional.
- Coloque el posicionador deslizante sobre la espiga con un diámetro externo máximo de 2-3/8" y asegúrelo con cuatro tornillos de sujeción de cabeza hexagonal de 5/16" a 7,3ft-lb

Figure B

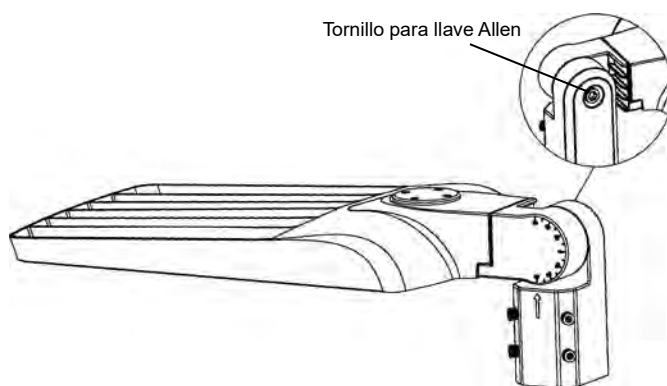


3. Ajuste del ángulo de inclinación

Nota: La luminaria puede inclinarse hasta 90 grados sobre la posición horizontal

Para ajustar el ángulo de inclinación de la luminaria, afloje el tornillo para llave Allen de 3/8-16 de la articulación con una llave Allen de 5/16", gire la luminaria hasta el ángulo deseado y vuelva a ajustar a un mínimo de 25,8 ft-lb (35+/-4 nm). Consulte la Figura C.

Figure C



EAX YK - MONTAJE DE LA HORQUILLA

NOTA: Esta luminaria viene precableada con cables de suministro certificados por la UL. No es necesario acceder a la carcasa de la luminaria para instalarla o cablearla. Herramientas necesarias:

- Llave Allen de 3/16"
- Llave Allen de 5/16"
- Llave Allen de 1/32"

1. Instale la horquilla a la luminaria; consulte la Figura A.

- Pase el cable de la luminaria por el orificio central de la sección superior de la horquilla y deslícelo sobre el montaje de la luminaria. Apriete los 2 tornillos de cabeza hexagonal con una llave Allen de 3/16" a 7,37 ft-lb (10 nm) para asegurar.

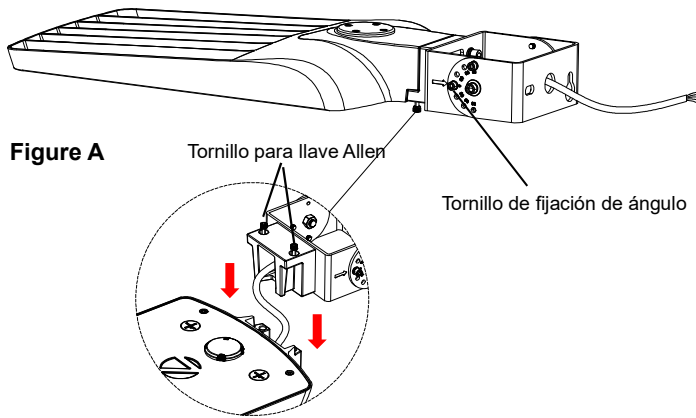


Figure A

DESCONECTE la energía eléctrica de la caja del disyuntor.

PRECAUCIÓN: No confíe solo del interruptor de pared para desconectar la energía eléctrica.

2. Asegure la horquilla al soporte

Nota: No se suministran los componentes de montaje

- Se recomienda montar la horquilla en el soporte deseado con un tornillo de 5/8" (orificio central) o dos de 1/2" (orificios exteriores), una arandela de bloqueo y una tuerca (no suministradas). Consulte la Figura B para obtener el patrón de orificios de montaje.

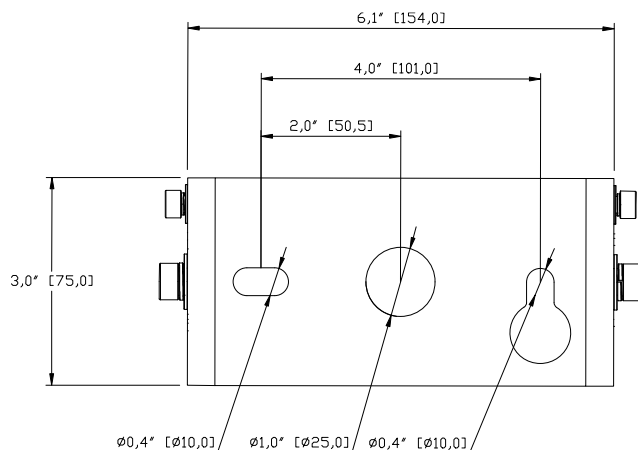


Figure B

3. Ajuste del ángulo de inclinación

Nota: La luminaria puede inclinarse hasta 90 grados sobre la posición horizontal

NO MONTAR CON LA LUZ APUNTANDO HACIA ARRIBA

- Una vez que la horquilla está montada de forma segura, quite el tornillo de fijación de ángulo en la horquilla.
- Apoye el peso de la luminaria y afloje los tornillos de bloqueo de 3/8" de ambos lados de la horquilla lo suficiente para que esta se pueda ajustar.
- Cuando esté colocada en el ángulo deseado, vuelva a instalar el tornillo de fijación de ángulo de 1/4-20 y apriételo a 11 ft-lb (15+/-1 nm) para mantener el ángulo mientras aprieta los tornillos de bloqueo.
- Vuelva a apretar los tornillos de bloqueo de 3/8" usando una llave Allen de 5/16" a 25,8 ft-lb (35+/-4 nm). Consulte la Figura C.

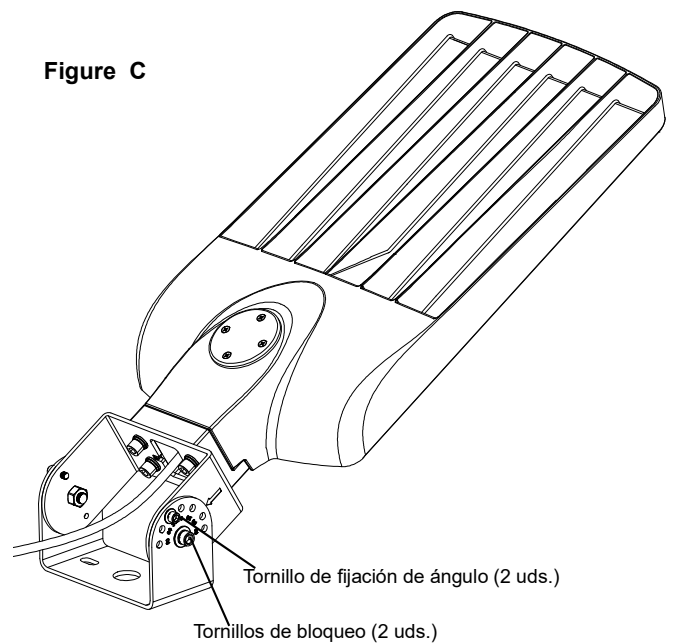


Figure C

EAX WBA - MONTAJE EN PARED

NOTA: Esta luminaria viene precableada con cables de suministro certificados por la UL. No es necesario acceder a la carcasa de la luminaria para instalarla o cablearla.

Herramientas necesarias:

- 3/16" Allen Wrench/ Hex drive
- 1/4" Allen Wrench/ Hex drive

Se deben montar los componentes y el sellador de silicona. Se compran por separado

1. Instale la cubierta de la caja de montaje en pared a la luminaria; consulte la Figura A

- Separe la cubierta de la caja de montaje en pared.
- Pase el cable de la luminaria por el orificio de la cubierta de la caja de montaje en pared y deslícelo sobre el montaje de la luminaria. Consulte la Figura A.
- Apriete los dos tornillos cautivos de cabeza hexagonal a 7,37 ft-lb. (10 nm) para asegurar.

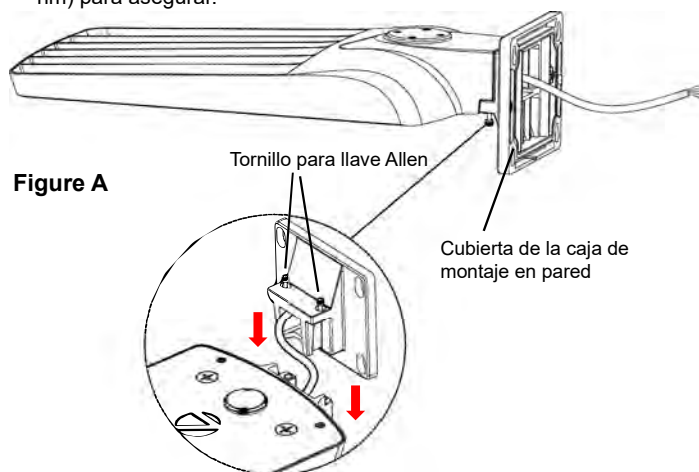


Figure A

DESCONECTE la energía eléctrica de la caja del disyuntor.

PRECAUCIÓN: No confíe solo del interruptor de pared para desconectar la energía eléctrica.

2. Asegure la caja de montaje en pared a la superficie de montaje

- Introduzca los cables de suministro en la caja de montaje en pared.
- Oriente la caja de montaje en pared con la flecha hacia ARRIBA, compruebe que la caja está nivelada y asegúrela a una superficie sólida usando los componentes adecuados (no se suministran). Consulte la figura B

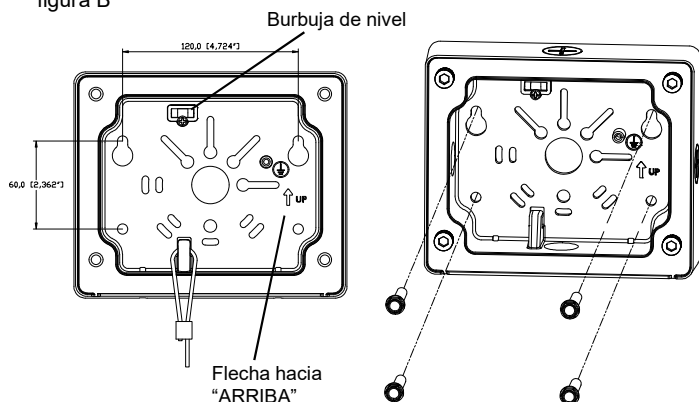


Figure B

3. Monte la luminaria

- Acerque la luminaria a la caja de montaje en pared y enganche la sujeción al bucle que está dentro de la cubierta de la caja para realizar el cableado con las manos libres.
- Realice las conexiones eléctricas según el Código Eléctrico Nacional.
- Alinee las ranuras en forma de ojo de cerradura de la cubierta de montaje en pared con los tornillos de las esquinas de la caja de montaje, y coloque la luminaria encima de los tornillos pasando la cabeza a través de las ranuras apoyando la luminaria firmemente sobre los tornillos mientras aprieta los cuatro tornillos de cabeza hexagonal a 11 ft-lb (15 nm). Consulte la Figura C.
- Inserte tapones de goma en las ranuras en forma de ojo de cerradura para cubrir las cabezas de los tornillos.
- Alrededor del borde de la caja de montaje en pared o la caja de conexión, aplique sellador de silicona resistente a la intemperie. Esto es especialmente importante si se trabaja en una superficie irregular.

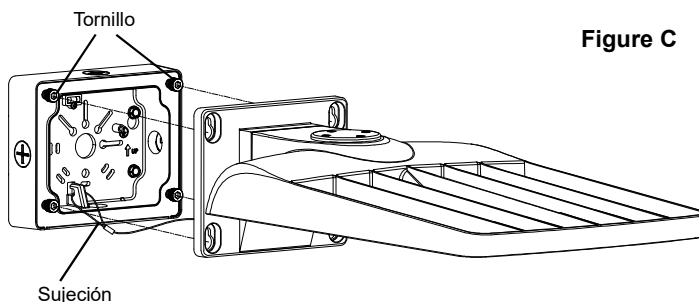


Figure C

EAX HSEGS - Protector lateral

Herramientas necesarias:

- Destornillador Phillips

1. Monte el protector lateral de tres piezas

- Alinee la lanza de la pieza lateral con la ranura de la pieza del extremo, e insértela. Repita con la 2.a pieza lateral. Consulte la Figura A.

2. Instale el protector lateral; consulte la figura de abajo

- Alinee los orificios del protector lateral con los orificios del borde de la luminaria.
- Use los tornillos suministrados para fijar y apretar a 0,73 +/-0,03 ft-lb (1,0+/-0,05 nm) para así asegurar.

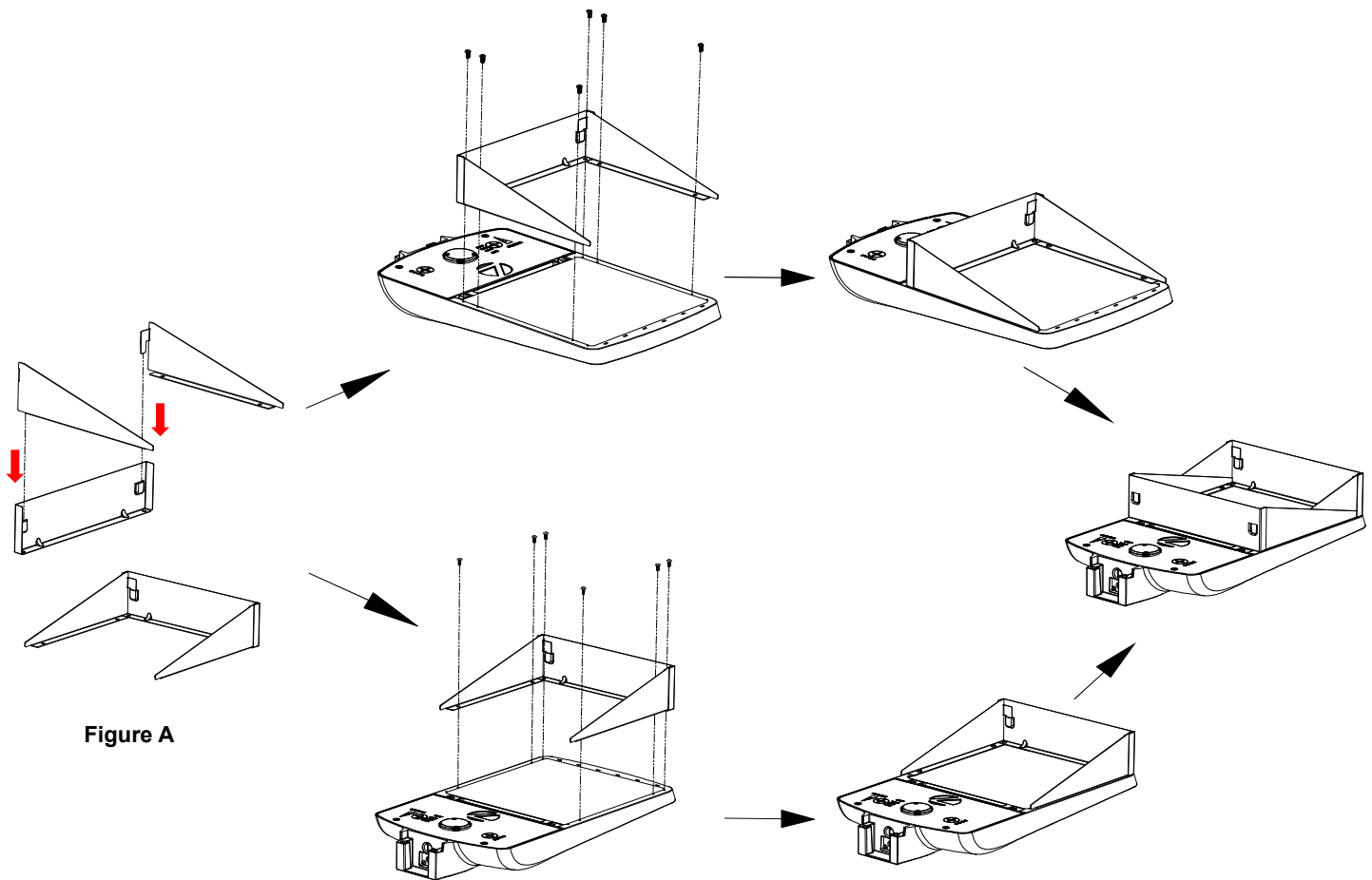


Figure A

VEUILLEZ LIRE ET RESPECTER TOUTES LES CONSIGNES DE SÉCURITÉ!

- Afin de réduire le risque de blessures personnelles ou de mort, ou d'endommager le matériel en raison d'un incendie, d'un choc électrique, de la chute de pièces, de coupures/abrasions ou de tout autre danger, lisez tous les avertissements et instructions compris dans et sur la boîte de la fixation et toutes ses étiquettes.
- Avant d'installer, d'entretenir ou de réaliser une maintenance de routine sur cet équipement, tenez compte de ces précautions générales.
- L'installation commerciale, l'entretien et les réparations des lampes ne devraient être effectuées que par un électricien diplômé et qualifié.
- Pour les installations résidentielles : Si vous avez des doutes quant à l'installation ou l'entretien des lampes, consultez un électricien diplômé et qualifié et vérifiez votre code de l'électricité local.
- Ce luminaire est conçu pour être connecté à une boîte de jonction certifiée UL, correctement installée et mise à la terre.
- Il sera occasionnellement nécessaire de nettoyer la partie extérieure du réfracteur/ de la lentille. Le réfracteur/la lentille doit être lavé(e) dans une solution d'eau tiède et avec un détergent ménager doux et non abrasif, puis rincé(e) à l'eau claire et essuyé(e). En cas d'accumulation de saletés à l'intérieur de l'ensemble optique, essuyez le réfracteur/la lentille et nettoyez comme indiqué ci-dessus, en remplaçant les joints endommagés selon le besoin.
- **N'INSTALLEZ PAS UN PRODUIT ENDOMMAGÉ !**
- Recyclage : pour des informations sur la manière de recycler les produits électroniques à DEL, veuillez vous rendre sur www.epa.gov.
- Ces instructions ne sont pas censées couvrir tous les détails ou variations de l'équipement ni fournir toutes les éventualités possibles en ce qui concerne l'installation, l'utilisation ou l'entretien. Si des informations supplémentaires devaient s'avérer nécessaires, ou si des problèmes particuliers se présentent et ne sont pas suffisamment repris pour l'acheteur ou du propriétaire, il conviendra de contacter Acuity Brands Lighting, Inc à ce sujet.



AVERTISSEMENT RISQUE DE CHOC ÉLECTRIQUE

- ▶ Débranchez ou coupez l'alimentation avant l'installation ou l'entretien.
- ▶ Vérifiez que la tension d'alimentation est correcte en la comparant avec les informations sur l'étiquette de la lampe.
- ▶ Réalisez tous les raccordements électriques et de masse conformément aux exigences du Code national de l'électricité et de tout code local applicable.
- ▶ Tous les raccordements câblés doivent être faits avec des connecteurs de câbles certifiés UL.



ATTENTION RISQUE DE BLESSURE

- ▶ Portez des gants et des lunettes de protection en permanence lorsque vous retirez la lampe du carton et que vous procédez à l'installation, à l'entretien ou à des réparations.
- ▶ Évitez le contact direct des yeux avec la source de lumière lorsqu'elle est allumée.



AVERTISSEMENT RISQUE DE BRÛLURE

- ▶ Laissez refroidir la fixation avant de la manipuler. Ne touchez pas l'enceinte ou la source de lumière.
- ▶ Ne dépassez pas la puissance maximum indiquée sur l'étiquette de la lampe.
- ▶ Respectez tous les avertissements, recommandations et restrictions du fabricant de lampe pour le circuit d'attaque, la position de fonctionnement, les méthodes/ endroits de montage, le remplacement et le recyclage.
- ▶ Utilisez uniquement les lampes qui sont conformes aux normes ANSI.



ATTENTION RISQUE D'INCENDIE

- ▶ Conservez les matériaux combustibles et tout autre élément pouvant prendre feu à l'écart de la lampe/lentille.
- ▶ Ne l'utilisez pas à proximité de personnes, de matériaux combustibles ou de substances affectées par la chaleur.



ATTENTION RISQUE D'ENDOMMAGEMENT DU PRODUIT

- ▶ Ne connectez jamais des composants sous charge.
- ▶ Ne montez ni soutenez pas ces fixations d'une manière qui pourrait sectionner la gaine extérieure ou endommager l'isolation de câble.
- ▶ Sauf si contraire aux spécifications du produit individuel : ne connectez jamais un produit à DEL directement à des packs de gradation de la lumière, des capteurs d'occupation, des dispositifs de minuterie ou d'autres dispositifs de commande liés. Les fixations DEL doivent être alimentées directement hors d'un circuit à interrupteur.
- ▶ Sauf si contraire aux spécifications du produit individuel : Sauf si contraire aux spécifications du produit individuel : ne pas limiter la ventilation de la fixation. Laissez un espace libre suffisant autour de la fixation. Évitez de couvrir les fixations DEL avec de l'isolation, de la mousse ou d'autres matériaux qui empêcheront le refroidissement de convection ou de conduction.
- ▶ Sauf si contraire aux spécifications du produit individuel : ne pas dépasser la température ambiante maximum à laquelle les fixations sont exposées.
- ▶ N'utilisez la fixation que dans l'emplacement prévu à cet effet.
- ▶ Les produits à DEL sont sensibles à la polarité. Assurez-vous que la polarité est correcte avant l'installation.
- ▶ Décharge électrostatique (DES) : les DES peuvent endommager les fixations DEL. Un équipement de mise à la masse personnel doit être porté lors de toute installation ou entretien de l'unité.
- ▶ Ne touchez pas les composants électriques individuels car cela peut causer une DES, réduire la durée de vie de la lampe ou altérer ses performances.
- ▶ Certains composants à l'intérieur de la fixation peuvent ne pas être réparables. Dans le cas peut probable où votre unité aurait besoin d'être réparée, arrêtez immédiatement d'utiliser l'unité et contactez un représentant ABL pour obtenir de l'aide.
- ▶ Les changements ou les modifications qui ne sont pas expressément approuvés par Acuity Brands Lighting pourraient rendre nulle et non avenue l'autorisation d'utiliser ce matériel.
- ▶ Lisez toujours les instructions d'installation complètes des fixations avant l'installation pour les autres avertissements spécifiques de la fixation.
- ▶ Assurer toujours que le système de distribution électrique répond aux exigences de NEC (et du code local applicable).
- ▶ Vérifier que le système de distribution électrique a une mise à la terre appropriée. Une mauvaise mise à la terre peut entraîner une défaillance du luminaire et annuler la garantie.

Tous les luminaires qui contiennent des dispositifs électroniques générant des fréquences supérieures à 9 kHz à partir d'un composant situé à l'intérieur du luminaire sont conformes à la partie 15 des règles de la Commission fédérale des communications. Son fonctionnement est assujéti aux deux conditions suivantes :

- (1) Ce dispositif ne doit générer aucune interférence préjudiciable.
- (2) Ce dispositif doit accepter n'importe quelle interférence reçue, y compris les interférences pouvant entraîner un fonctionnement non souhaité.

Ce dispositif est conforme à la partie 15 des règles de la Commission fédérale des communications, mais peut provoquer des interférences avec les téléphones sans fil et portables, les radios, les télévisions et d'autres dispositifs électroniques. Pour remédier à ce problème, placer le dispositif à l'écart du luminaire ou le brancher à une prise différente. Ce produit peut provoquer des interférences avec le matériel radio et ne doit pas être installé près d'équipements de communication maritime ou de tout autre équipement important de navigation ou de communication fonctionnant entre 0,45 et 30 MHz.

GARANTIE LIMITÉE DE 5 ANS

Tout manquement au respect de ces instructions pourrait rendre nulles les garanties. Pour une liste complète des conditions générales du produit, veuillez vous rendre sur www.acuitybrands.com. Acuity Brands Lighting, Inc. n'assume aucune responsabilité pour les réclamations découlant d'une installation ou d'une manipulation incorrectes ou négligentes de ses produits.

Retirer les composants de l'appareil et l'emballage des pièces. S'assurer que toutes les pièces sont incluses. *Note:* Faites attention aux petites pièces et détruisez le matériel d'emballage car ils pourraient être dangereux pour les enfants.

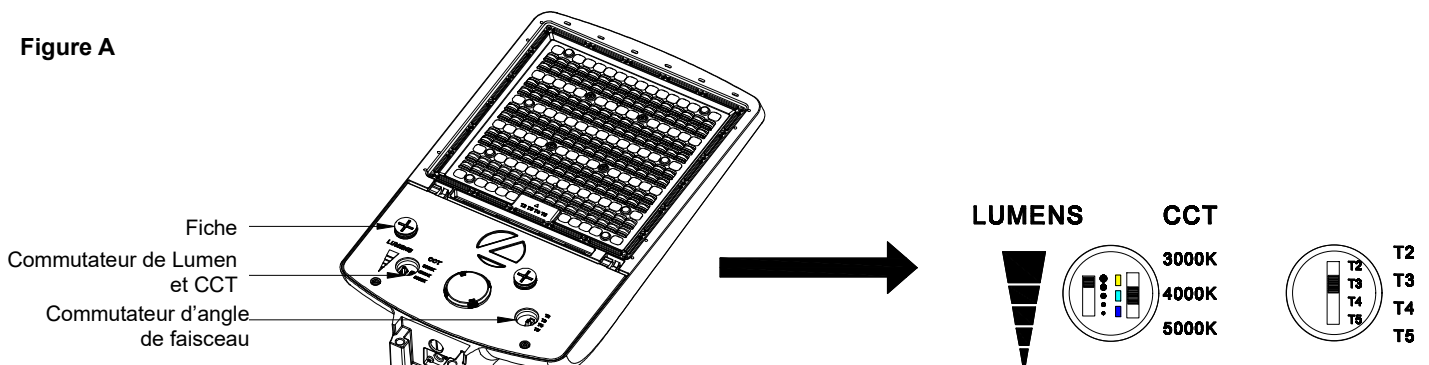
Caractéristiques	EAX1	EAX2	EAX3
Température de couleur commutable (CCT)	3000/4000*/5000K		
Commutateur Distribution	T2/T3*/T4/T5		
ALO (Lumens ajustables)	*14,000	*30,000	*45,000
P4	12,500	27,000	42,000
P3	10,000	24,000	39,000
P2	7,500	21,000	36,000
P1	5,500	18,000	33,000

* Paramètres d'usine

RÉGLABLES AJUSTABLES SUR SITE See Figure A
*SÉLECTIONNER LES RÉGLAGES AVANT L'INSTALLATION.
 NE PAS CHANGER LES RÉGLAGES DU COMMUTATEUR AVEC
 L'ALIMENTATION EN MARCHÉ.*

- Localisez le commutateur sélecteur applicable et retirez la fiche.
- Faites glisser le commutateur à la valeur désirée.
- Remettez la fiche en place. Serrez au minimum de 1,1 pi-lb (1.5 Nm) et au maximum de 1,5 pi-lb (2,1 Nm).

Figure A



MISE EN GARDE : CÂBLAGE

Tous les câblages doivent être conformes au Code national de l'électricité et à tous les codes locaux applicables.

Une mise à la terre appropriée est requise.

Assurez-vous que l'alimentation est coupée avant l'installation.

Utilisez des connecteurs de câbles certifiés UL.

MISE EN GARDE : Pour un bon fonctionnement étanche, tous les joints doivent être correctement en place et toutes les vis bien serrées. Appliquez un agent d'étanchéité à base de silicone autour du bord de la boîte de jonction.

Convient aux emplacements humides.

NE PAS MONTER AVEC LA LUMIÈRE VISÉE VERS LE HAUT

EAX SRA - SUPPORT DE MONTAGE NON RÉGLABLE

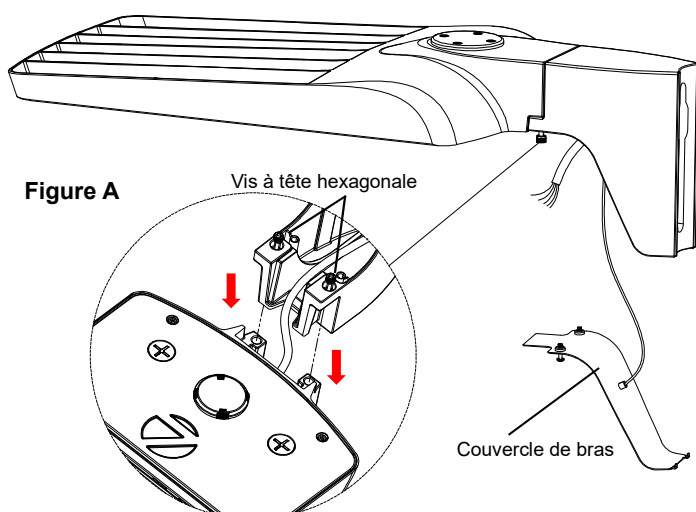
REMARQUE : Ce luminaire est pré-câblé avec des fils d'alimentation homologués UL. Il n'est pas nécessaire d'accéder au boîtier du luminaire pour installer ou câbler le luminaire.

Outils nécessaires :

- Tournevis cruciforme Philips
- Clé Allen de 3/16 po
- Clé à douille 1/4 po

1. Installer le bras SRA sur le luminaire (consulter la figure A)

- Desserrez les vis imperdables dans le couvercle du bras SRA pour ouvrir le couvercle (le couvercle est sécurisé par une attache pour éviter qu'il ne tombe)
- Faites passer le cordon du luminaire à travers le bras SRA et glissez le support SRA sur le support du luminaire.
- Serrez deux vis à tête hexagonale imperdables avec une clé Allen de 3/16 po à 7,37 pi-lb. (10 Nm).



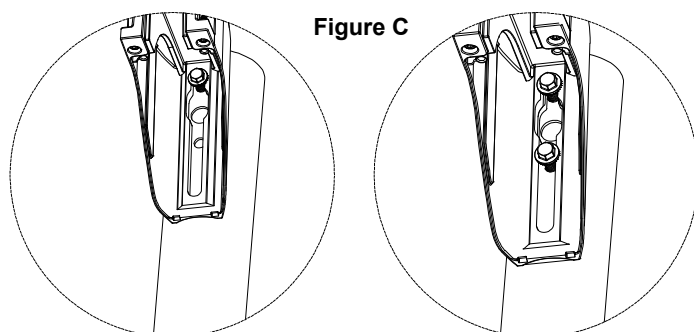
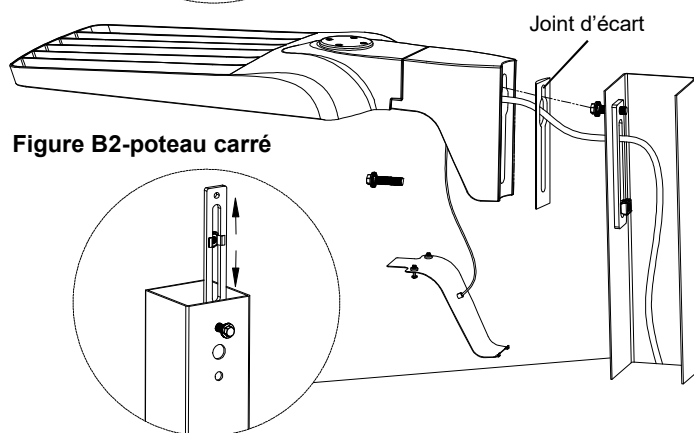
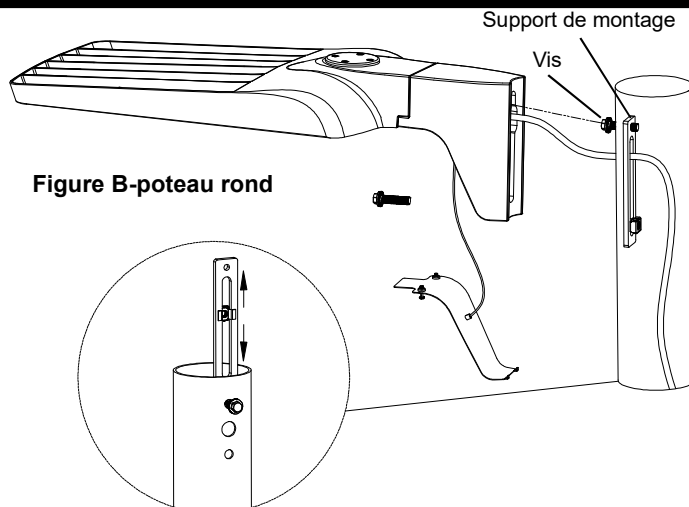
Coupez l'alimentation au niveau du disjoncteur.

ATTENTION : Ne vous fiez pas uniquement à l'interrupteur mural pour couper l'alimentation.

2. Installer sur un poteau carré ou rond (matériel de montage inclus)

Pour un poteau carré : min. 3,5 po de face et pour un poteau rond : min. 3,0 po de diamètre

- Préparez le support de montage en alignant le trou supérieur avec le trou supérieur du poteau et ajustez l'écrou à glissière pour l'aligner avec le trou de perçage inférieur sur le poteau.
- Placez le support de montage à l'intérieur du poteau, insérez un boulon de 3/8 po à travers le trou supérieur du poteau et vissez-le dans le trou supérieur du support de montage. Consultez la figure B1.
- Si le montage est sur un poteau carré, placez un joint entre le poteau et le bras pour combler l'espace. Consultez la figure B2.
- Faites passer le cordon du luminaire dans le poteau.
- Placez le luminaire sur le boulon supérieur en faisant passer la tête à travers la fente en clé, en reposant le luminaire en toute sécurité sur le boulon supérieur et en serrant le boulon mais sans le serrer complètement encore. **AVERTISSEMENT : LE LUMINAIRE N'EST PAS ENCORE COMPLETEMENT VERROUILLÉ. VEUILLEZ ÉVITER QUE LE LUMINAIRE NE SOIT SECOUÉ PAR RAPPORT À SON POINT D'APPUI.**
- Vissez le deuxième boulon à travers la fente du bras et dans l'écrou à glissière du support de montage. Consultez la figure C.
- Veillez à ce que le luminaire soit droit et de niveau et qu'aucun fil ne soit pincé, avant de serrer les deux boulons avec un tournevis à six pans de 3/8 po à 25,8 pi-lb (35 +/-10 Nm).
- Effectuez les connexions électriques conformément au NEC.



EAX ASRP - SUPPORT DE POTEAU À BRAS AJUSTABLE

REMARQUE : Ce luminaire est pré-câblé avec des fils d'alimentation homologués UL. Il n'est pas nécessaire d'accéder au boîtier du luminaire pour installer ou câbler le luminaire.

Outils nécessaires :

- Tournevis cruciforme Philips
- Clé Allen de 3/16 po
- Clé à douille 1/4 po

1. Installer le bras ASRP sur le luminaire (consulter la figure A)

- Desserrez la vis imperdable dans le couvercle du bras ASRP pour ouvrir le couvercle (le couvercle est sécurisé par une attache pour éviter qu'il ne tombe).
- Faites passer le cordon du luminaire à travers le coude ASRP et glissez le support ASRP sur le support du luminaire.
- Serrez deux vis à tête hexagonale imperdables avec une clé Allen de 3/16 po à 7,37 pi-lb. (10 Nm).

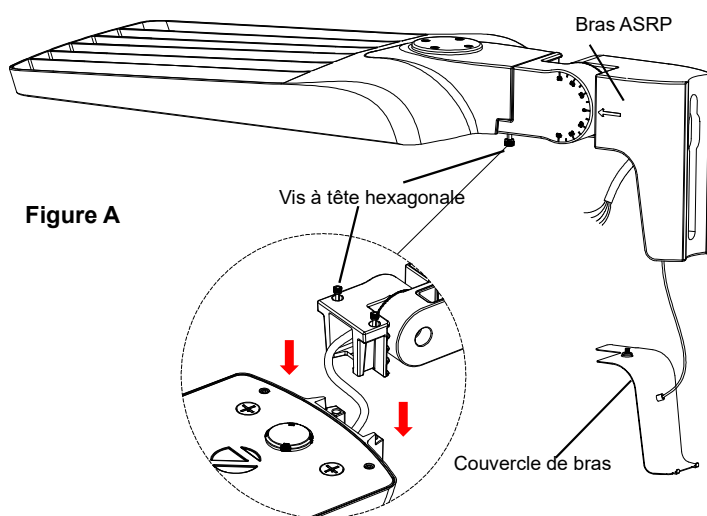


Figure A

Coupez l'alimentation au niveau du disjoncteur.

ATTENTION : Ne vous fiez pas uniquement à l'interrupteur mural pour couper l'alimentation.

2. Installer sur un poteau carré ou rond (matériel de montage inclus)

Pour un poteau carré : min. 3,5 po de face et pour un poteau rond : min. 3,0 po de diamètre

- Préparez le support de montage en alignant le trou supérieur avec le trou supérieur du poteau et ajustez l'écrou à glissière pour l'aligner avec le trou de perçage inférieur sur le poteau.
- Placez le support de montage à l'intérieur du poteau, insérez un boulon de 3/8 po à travers le trou supérieur du poteau et vissez-le dans le trou supérieur du support de montage. Consultez la figure B1.
- Si le montage est sur un poteau carré, placez un joint entre le poteau et le bras pour combler l'espace. Consultez la figure B2.
- Faites passer le cordon du luminaire dans le poteau.
- Placez le luminaire sur le boulon supérieur en faisant passer la tête à travers la fente en clé, en reposant le luminaire en toute sécurité sur le boulon supérieur et en serrant le boulon mais sans le serrer complètement encore. **AVERTISSEMENT : LE LUMINAIRE N'EST PAS ENCORE COMPLÈTEMENT VERROUILLÉ. VEUILLEZ ÉVITER QUE LE LUMINAIRE NE SOIT SECOUÉ PAR RAPPORT À SON POINT D'APPUI.**
- Vissez le deuxième boulon à travers la fente du bras et dans l'écrou à glissière du support de montage. Consultez la figure C.
- Veillez à ce que le luminaire soit droit et de niveau et qu'aucun fil ne soit pincé, avant de serrer les deux boulons avec un tournevis à six pans de 3/8 po à 25,8 pi-lb (35 +/-10 Nm).
- Effectuez les connexions électriques conformément au NEC.

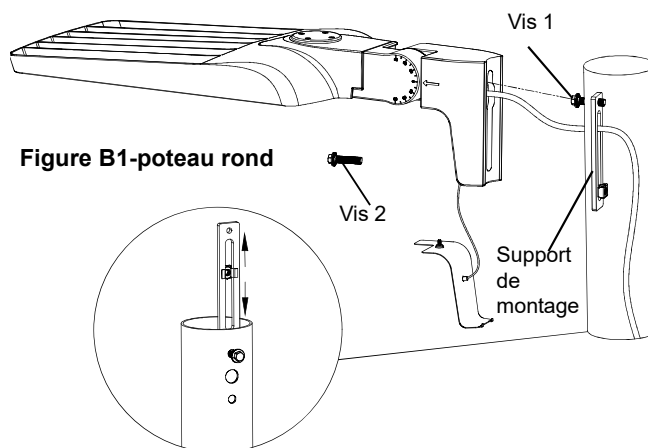


Figure B1-poteau rond

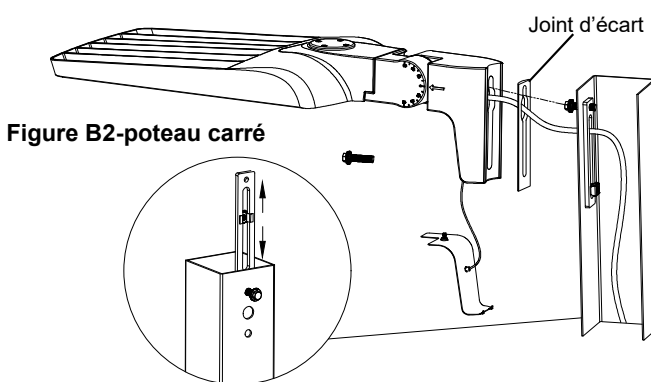


Figure B2-poteau carré

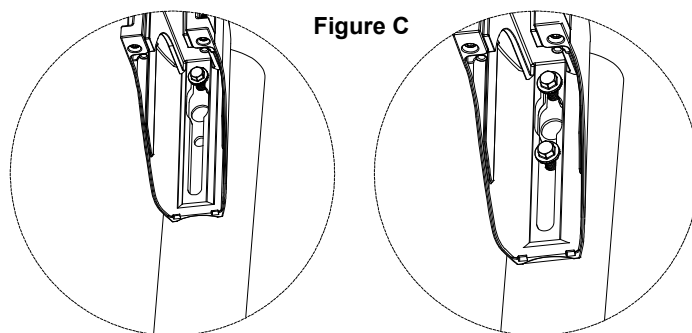


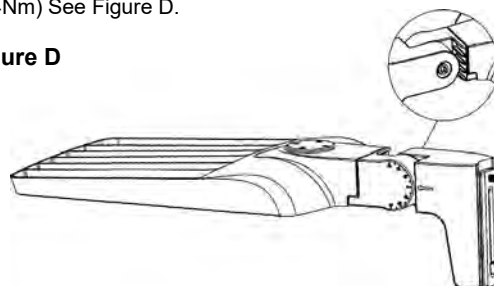
Figure C

3. Réglage de l'angle d'inclinaison

Remarque : Le luminaire peut être incliné jusqu'à 90 degrés au-dessus de l'horizontal

Pour régler l'angle d'inclinaison du luminaire, desserrez la vis à tête hexagonale 3/8-16 de l'articulation à l'aide d'une clé Allen de 5/16 po, tournez le luminaire jusqu'à l'angle souhaité et resserrez au minimum de 25,8 pi-lb (35 +/-4 Nm). Consultez la figure D. tighten to min. 25.8 ft-lbs (35+/-4Nm) See Figure D.

Figure D



EAX UPM - POTEAU UNIVERSEL et SUPPORT À GLISSIÈRE

REMARQUE : Ce luminaire est pré-câblé avec des fils d'alimentation homologués UL. Il n'est pas nécessaire d'accéder au boîtier du luminaire pour installer ou câbler le luminaire.

Outils nécessaires :

- Clé Allen de 3/16 po
- Clé à douille 1/4 po

1. Installation du bras UPM sur le luminaire (consulter la figure A)

- Faites passer le cordon du luminaire à travers le coude UPM et glissez le support UPM sur le support du luminaire.
- Serrez 2 vis à tête hexagonale avec une clé Allen de 3/16 po à 7,37 pi-lb. (10 Nm).

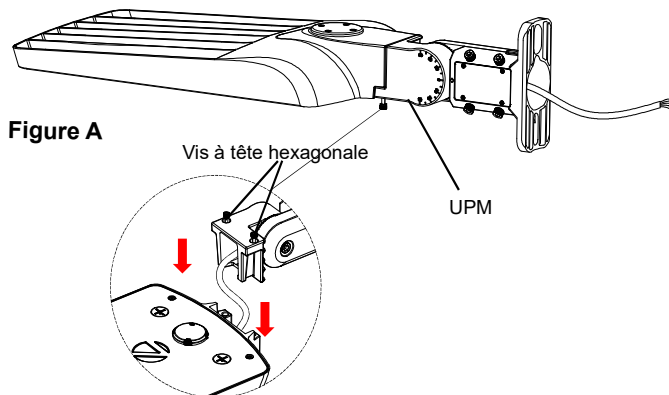


Figure A

Coupez l'alimentation au niveau du disjoncteur.

ATTENTION : Ne vous fiez pas uniquement à l'interrupteur mural pour couper l'alimentation.

2. Installation sur un poteau carré ou rond (matériel de montage inclus)

Pour un poteau carré : min. 3,5 po de face et un poteau rond : min. 3,0 po de diamètre

- Préparez le support de montage en alignant le trou supérieur avec le trou supérieur du poteau et ajustez l'écrin à glissière pour l'aligner avec le trou de perçage inférieur sur poteau. Remarque : pour un espacement des trous entre 4,5 po et 5,5 po.
- Placez le support de montage à l'intérieur du poteau rond, insérez un boulon de 3/8 po à travers le trou supérieur du joint et le trou supérieur du poteau et vissez-le dans le trou supérieur du support de montage. Consultez la figure B1.
- Si le montage est sur un poteau carré, placez le joint d'écart entre le poteau et le bras pour combler l'écart. Consultez la figure B2.
- Faites passer le cordon à travers le trou d'entrée dans la cavité du poteau.
- Placez le luminaire sur le boulon supérieur en faisant passer la tête à travers la fente en clé, en reposant le luminaire en toute sécurité sur le boulon supérieur et en serrant le boulon mais sans le serrer complètement encore. **AVERTISSEMENT : LE LUMINAIRE N'EST PAS ENCORE COMPLETEMENT VERROUILLÉ. VEUILLEZ ÉVITER QUE LE LUMINAIRE NE SOIT SECOUÉ PAR RAPPORT À SON POINT D'APPUI.**
- Vissez le deuxième boulon à travers la fente du bras et dans l'écrin à glissière du support de montage. Consultez la fig. C.
- Veillez à ce que le luminaire soit droit et de niveau et qu'aucun fil ne soit pincé, avant de serrer les deux boulons avec une douille de 3/8 po à 30 pi-lb.
- Effectuez les connexions électriques conformément au NEC.

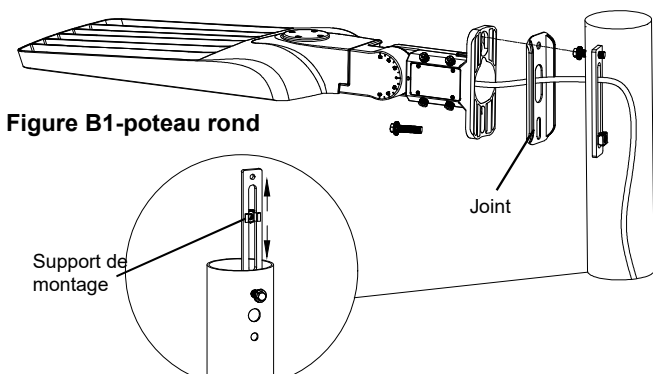


Figure B1-poteau rond

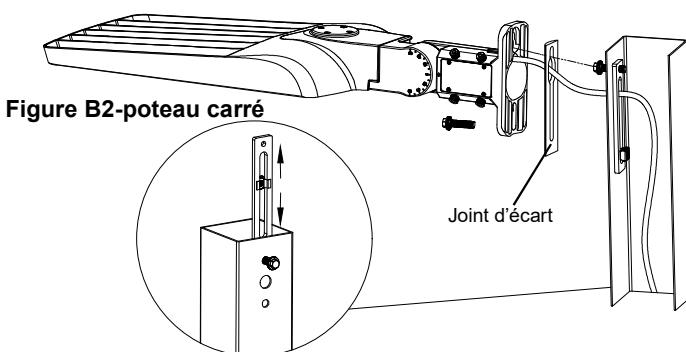


Figure B2-poteau carré

3. Installation sur tenon (Diamètre maximum du tenon/poteau : tube de 2 po schéma 40 (DE de 2-3/8 po))

- Effectuez les connexions électriques conformément au NEC.
- Placez le support à glissière sur un tenon de diamètre extérieur maximum de 2-3/8 po et fixez-le bien avec quatre vis de calage à six pans de 5/16 po à 7,3 pi-lb (10 +/- 2 Nm) à l'aide d'une clé Allen de 5/32 po. Consultez la figure C.

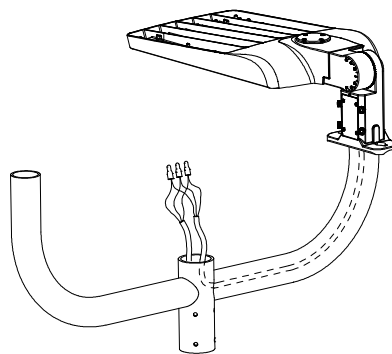
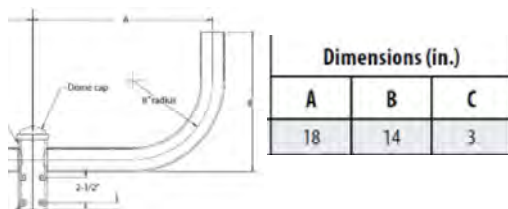


Figure C



3. Réglage de l'angle d'inclinaison

Remarque : Le luminaire peut être incliné jusqu'à 90 degrés au-dessus de l'horizontal

Pour régler l'angle d'inclinaison du luminaire, desserrez la vis à tête hexagonale 3/8-16 de l'articulation à l'aide d'une clé Allen de 5/16 po, tournez le luminaire jusqu'à l'angle souhaité et resserrez au minimum de 25,8 pi-lb (35 +/- 4 Nm). Consultez la figure D.

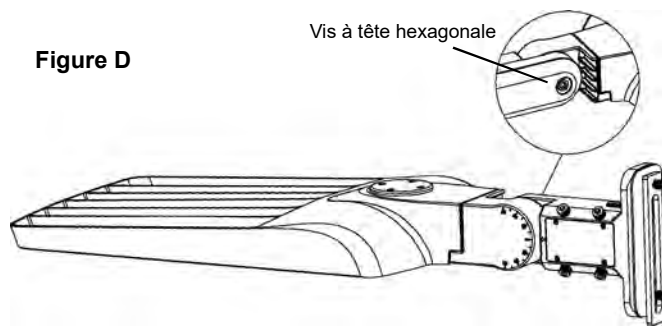


Figure D

EAX IS - MONTAGE VERTICAL SUR TENON

REMARQUE : Ce luminaire est pré-câblé avec des fils d'alimentation homologués UL. Il n'est pas nécessaire d'accéder au boîtier du luminaire pour installer ou câbler le luminaire.

Outils nécessaires :

- Clé Allen de 3/16 po
- Clé Allen de 5/32 po
- Clé Allen de 5/16 po

1. Installer la IS sur le luminaire Consulter la figure A

- Séparez l'assemblage Slipfitter en retirant le boulon d'articulation.
- Faites passer le cordon du luminaire à travers le coude IS et glissez le support IS sur le support du luminaire
- Serrez 2 vis à tête hexagonale avec une clé Allen de 3/16po à 7,37 pi-lb. (10 Nm).

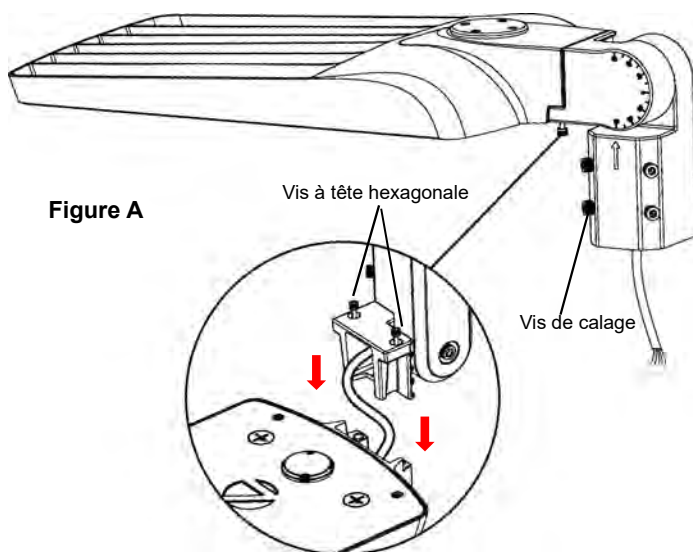
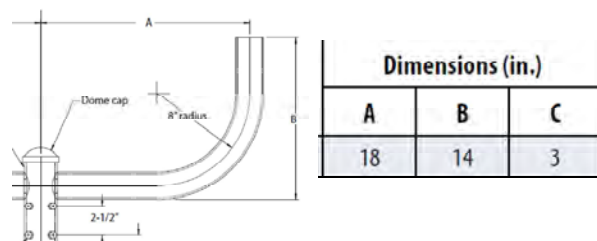
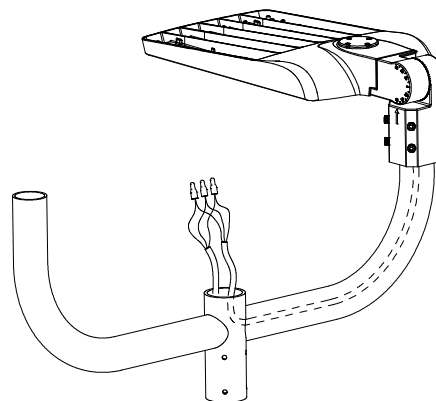


Figure A

Vis à tête hexagonale

Vis de calage

Figure B

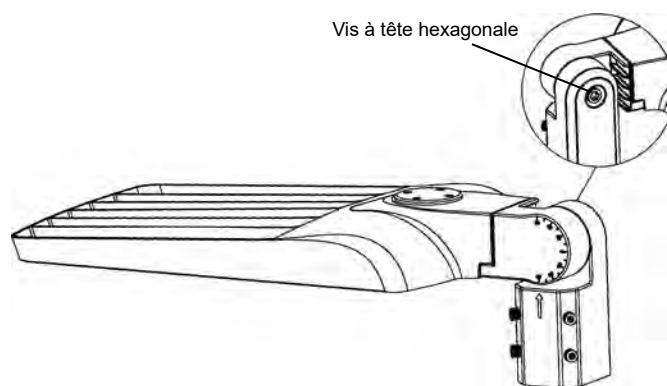


3. Réglage de l'angle d'inclinaison

Remarque : Le luminaire peut être incliné jusqu'à 90 degrés au-dessus de l'horizontal

Pour régler l'angle d'inclinaison du luminaire, desserrez la vis à tête hexagonale 3/8-16 de l'articulation à l'aide d'une clé Allen de 5/16 po, tournez le luminaire jusqu'à l'angle souhaité et resserrez au minimum de 25,8 pi-lb (35 +/-4 Nm). Consultez la figure C.

Figure C



Vis à tête hexagonale

Coupez l'alimentation au niveau du disjoncteur.

ATTENTION : Ne vous fiez pas uniquement à l'interrupteur mural pour couper l'alimentation.

2. Installation sur tenon (Diamètre maximum du tenon/poteau : tube de 2 po schéma 40 (DE de 2-3/8 po)

- Effectuez les connexions électriques conformément au NEC.
- Placez le support à glissière sur un tenon de diamètre extérieur maximum de 2-3/8 po et fixez-le bien avec quatre vis de calage à six pans de 5/16 po à 7,3 pi-lb (10 +/-2 Nm) à l'aide d'une clé Allen de 5/32 po. Consultez la figure B.

EAX YK - MONTAGE DE LA FOURCHE

REMARQUE : Ce luminaire est pré-câblé avec des fils d'alimentation homologués UL. Il n'est pas nécessaire d'accéder au boîtier du luminaire pour installer ou câbler le luminaire.

Outils nécessaires :

- Clé Allen de 3/16 po
- Clé Allen de 5/16 po
- Clé Allen de 5/32 po

1. Installer la fourche sur le luminaire Consulter la figure A.

- Faites passer le cordon du luminaire à travers le trou central de la section supérieure de la fourche et glissez-le sur le support du luminaire. Serrez les 2 vis à tête hexagonale avec une clé Allen de 3/16 po à 7,37 pi-lb. (10N m) pour bien la fixer.

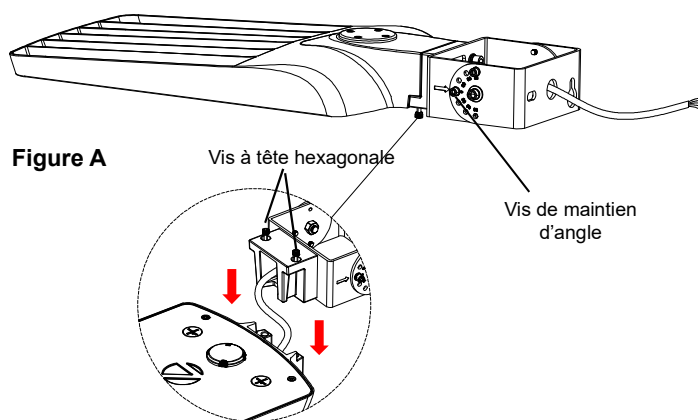


Figure A

Coupez l'alimentation au niveau du disjoncteur.

ATTENTION : Ne vous fiez pas uniquement à l'interrupteur mural pour couper l'alimentation.

2. Fixer la fourche sur le support

Remarque : Le matériel de montage n'est pas fourni

- Il est recommandé de monter la fourche sur le support souhaité avec un boulon de 5/8 po (trou central) ou deux boulons de 1/2 po (trous extérieurs), une rondelle de verrouillage et un écrou (non fournis). Consultez la figure B pour la configuration des trous de montage.

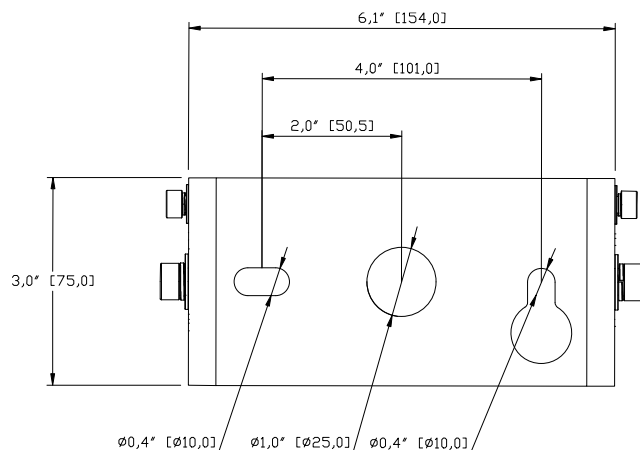


Figure B

3. Réglage de l'angle d'inclinaison

Remarque : Le luminaire peut être incliné jusqu'à 90 degrés au-dessus de l'horizontal

NE PAS MONTER AVEC LA LUMIÈRE VISÉE VERS LE HAUT

- Avec la fourche montée en toute sécurité, retirez la vis de maintien d'angle sur le support.
- Soutenez le poids du luminaire et desserrez les boulons de verrouillage de 3/8 po des deux côtés de la fourche juste assez pour que la fourche puisse être ajustée.
- Lorsque positionnée à l'angle souhaité, réinstallez la vis de maintien d'angle 1/4-20 et serrez à 11 pi-lb (15 +/- 1 Nm) pour maintenir l'angle tout en serrant les boulons de verrouillage.
- Resserrez les boulons de verrouillage de 3/8 po avec une clé Allen de 5/16 po, à 25,8 pi-lb (35 +/- 4 Nm). Consultez la figure C.

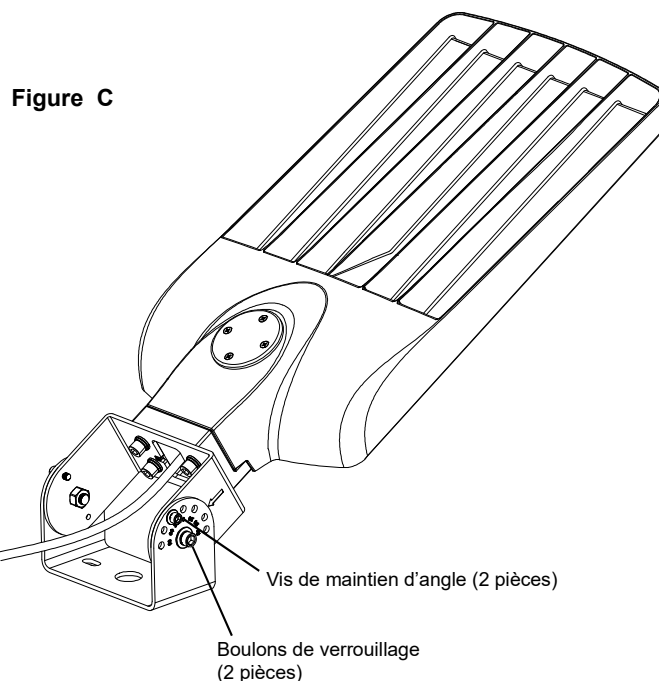


Figure C

EAX WBA - MONTAGE MURAL

REMARQUE : Ce luminaire est pré-câblé avec des fils d'alimentation homologués UL. Il n'est pas nécessaire d'accéder au boîtier du luminaire pour installer ou câbler le luminaire.

Outils nécessaires :

- Clé Allen de 3/16 po
- Clé Allen de 1/4 po

Quincaillerie de montage et agent d'étanchéité à base de silicone requis (à acheter séparément)

1. Installer le couvercle de la boîte de montage mural sur le luminaire (consulter la figure A)

- Séparez le couvercle de la boîte de montage mural de la boîte de montage mural.
- Faites passer le cordon du luminaire à travers le trou du couvercle de la boîte de montage mural et glissez-le sur le support du luminaire. Consultez la figure A.
- Serrez deux vis à tête hexagonale imperdables à 7,37 pi-lb. (10N m) pour bien la fixer.

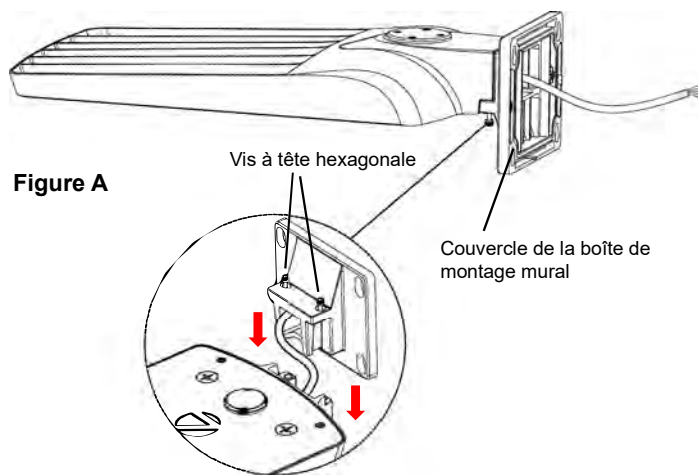


Figure A

Coupez l'alimentation au niveau du disjoncteur.

ATTENTION : Ne vous fiez pas uniquement à l'interrupteur mural pour couper l'alimentation.

2. Fixer la boîte de montage mural à la surface de montage

- Faites passer les fils d'alimentation dans la boîte de montage mural.
- Orientez la boîte de montage mural avec la flèche pointant vers le HAUT, vérifiez que la boîte est de niveau et fixez la boîte murale à une surface solide à l'aide de matériel approprié (non fourni). Consultez la figure B

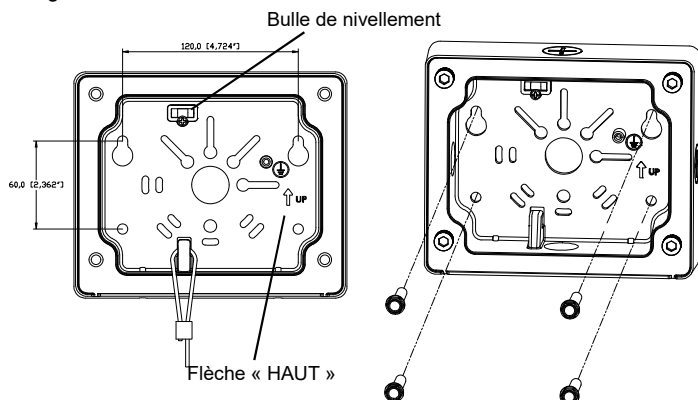


Figure B

3. Monter le luminaire

- Amenez le luminaire à la boîte de montage mural et accrochez l'attache à la boucle à l'intérieur du couvercle de la boîte de montage mural pour un câblage mains libres.
- Effectuez les connexions électriques conformément au NEC.
- Alignez les fentes en forme de clé sur le couvercle de la boîte de montage mural avec les boulons dans les coins de la boîte de montage mural et placez le luminaire sur les boulons en faisant passer la tête à travers les fentes en forme de clé, en reposant le luminaire en toute sécurité sur les boulons tout en serrant quatre boulons hexagonaux à 11 pi-lb (15 Nm). Consultez la figure C.
- Insérez des bouchons en caoutchouc dans les fentes en forme de clé pour couvrir les têtes de vis.
- Appliquez un agent d'étanchéité à base de silicone autour du bord de la boîte de montage mural et/ou de la boîte de jonction. C'est particulièrement important avec une surface inégale.

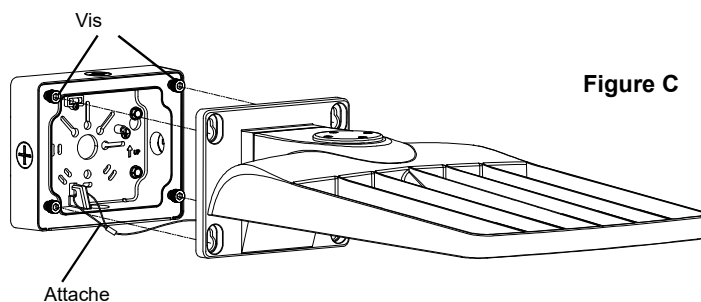


Figure C

EAX HSEGS - Écran latéral pour maison

Outils nécessaires :

- Tournevis cruciforme Philips

1. Assembler le bouclier latéral de maison en trois pièces

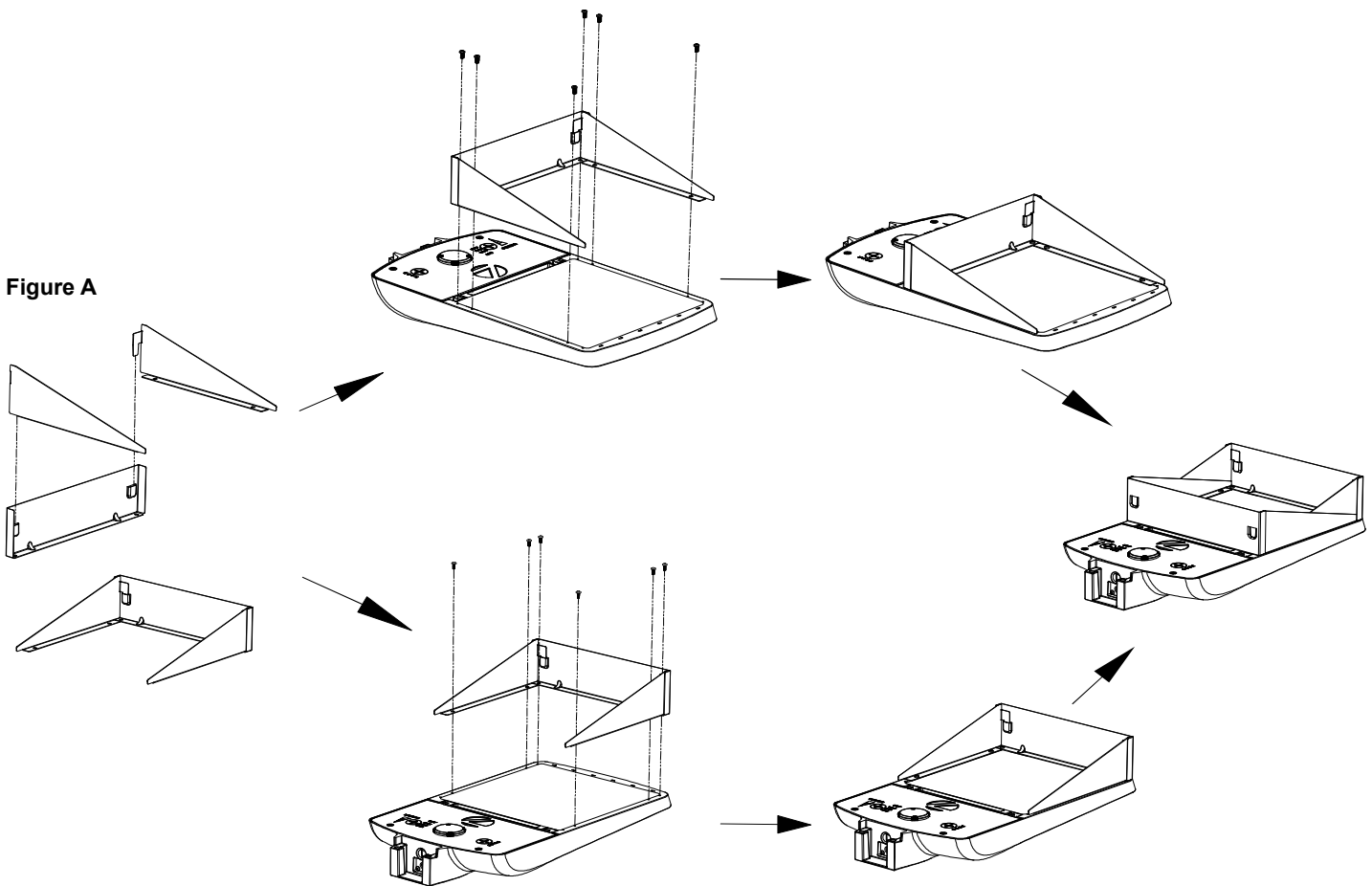
Alignez la lance sur la pièce latérale avec la fente dans la pièce d'extrémité et insérez-la. Répétez avec la 2ème pièce latérale. Consultez la figure A.

2. Installer le bouclier latéral de maison

Consulter la figure ci-dessous

- Alignez les trous dans le bouclier latéral de maison avec les trous sur le bord du luminaire.
- Utilisez les vis fournies et serrez à $0,73 \pm 0,03$ pi-lb ($1,0 \pm 0,05$ Nm) pour bien le fixer.

Figure A



Trouble Shooting Guide

If this fixture fails to operate properly, use the guide below to diagnose and correct the problem.

1. Verify that power is turned on at switch and breaker
2. Verify that line voltage is correct
3. Check wiring and connections.
4. Verify photocell setting

If further technical assistance is required, contact:

Technical Support at: (800) 705-7378

Cleaning and Maintenance

Caution: Be sure fixture temperature is cool enough to touch. Do not clean or maintain while fixture is energized.

This LED light provides low maintenance service with no bulbs to change. Clean surfaces with mild soap and water. Do not use abrasive materials such as scouring pads or powders, steel wool or abrasive paper.

WARNING: There are no user serviceable parts inside fixture.

Guía de Localización de Averías

Si este luminario falla de operar apropiadamente, use la siguiente guía para diagnosticar y corregir el problema.

1. Compruebe que el suministro de energía esté conectado al interruptor y al disyuntor.
2. Verifique que la línea de voltaje sea correcta.
3. Revise el cableado y las conexiones
4. Verifique la configuración de la fotocélula

Si requiere ayuda adicional, contacte:

Technical Support al: (800) 705-7378

Limpieza y mantenimiento

Precaución: Asegúrese de que la temperatura del aparato es lo suficientemente fría para tocarlo. No limpie ni realice mantenimiento mientras el aparato está encendido.

Esta lámpara LED con necesita muy poco mantenimiento y no es necesario cambiar los focos. Limpie las superficies con un limpiador suave no abrasivo.

ADVERTENCIA: La cabeza de la lámpara no contiene piezas que el usuario puede reparar. No retire ni desarme la cabeza de la lámpara. Esto anularía la garantía

Guide de dépannage

Si l'appareil ne fonctionne pas adéquatement, veuillez vous servir du guide ci-dessous afin d'identifier et corriger le problème.

1. Vérifier que l'alimentation électrique est sous tension au niveau du commutateur et du disjoncteur.
2. Vérifier que la tension de la ligne est correcte.
3. Vérifier les fils et les raccordements.
4. Vérifiez les paramètres de la cellule photoélectrique

Pour toute autre assistance, veuillez contacter nos services de support technique: **le soutien technique au: (800) 705-7378**

Nettoyage et entretien

Attention : S'assurer que la température du luminaire est assez basse pour le manipuler. Ne pas procéder à une opération de maintenance ou de nettoyage lorsque le luminaire est sous tension.

Cette lampe à DEL nécessite peu d'entretien et il n'y a aucune ampoule à changer. Nettoyez les surfaces avec un produit doux non abrasif. **AVERTISSEMENT:** Il n'y a aucune pièce réparable à l'intérieur de chaque projecteur.