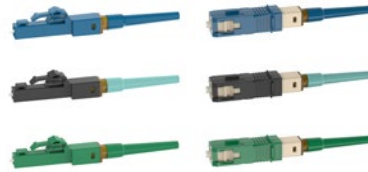


OmniSplice™ Fiber Optic Connectors

SPECIFICATIONS

OmniSplice LC and SC fusion splice fiber optic connectors shall be ANSI/TIA-604 FOCIS-10 (for LC) and FOCIS-3 (for SC) compliant. The connectors shall include a pre-polished ferrule with an integral pre-stripped and pre-cleaved fiber, a front housing, and a rear assembly that includes a boot (plus an outer housing for SC connectors). The connectors shall utilize a holder that is compatible with common fusion splice brands such as AFL (Fujikura), Fiber Fox, Sumitomo, and UCL Swift, and features an ejector handle to aid in moving the spliced assembly out of the holder. The connectors shall be tested to Telcordia GR-326-CORE, shall exceed ANSI/TIA-568-E.3 performance requirements for IL and RL, and have a functional temperature range from -40°C to 75°C. OmniSplice connectors shall utilize packaging designed to reduce environmental impact, including recycled plastic. The connectors shall be packaged in packs of 12 connectors, and include an OmniHolder.



TECHNICAL INFORMATION

Standards:	Exceeds Telcordia GR-326-CORE, ANSI/TIA-568.3-E; Complies with ANSI/TIA-604-10-D (LC) and 604-3-D (SC)
Fiber compatibility:	9/125µm Singlemode for OS1/OS2, 50/125µm Multimode for OM2, OM3, and OM4
Fiber size and type:	900µm tight-buffered, 250µm loose-tube, and 250µm with 900µm build-up tubing
Ferrule type:	Factory polished zirconia ceramic
Insertion loss:	Singlemode fiber is 0.15dB IL average, 0.30dB IL maximum; multimode fiber is 0.10dB IL average, 0.25dB IL maximum
Return loss:	Singlemode fiber is > 55dB (UPC) or > 65dB (APC); multimode fiber is > 30dB (UPC)

KEY FEATURES AND BENEFITS

Quick installation:	The LC and SC splice-on connectors can be terminated in an average of about two minutes per connector.
Reliable performance:	Superior quality components mean better performing links with less down time
Superior function:	Factory pre-polished end-faces and no index-matching gel enable installation almost anywhere

APPLICATIONS

OmniSplice Connectors enable rapid deployment of high performance fusion splice connectors for today's Enterprise and Data Center applications. Field termination allows for deployment of custom fiber links without added time and planning typically required for pre-terminated assemblies, while using the real-time splice loss estimations of typical fusion splice machines to provide confidence in the termination. Splice-on connectors can be used for initial installation of fiber links, MAC work, and repairs to existing links, minimizing downtime. Fusion splice connectors also allow for higher performance links through lower insertion loss and higher return loss characteristics versus mechanical splice connectors. Splice-on connectors require less space for management like splice sleeves and trays, as well as reducing the amount of fiber needing management typical of pigtail splicing.

OmniSplice LC Connectors

LC-UPC Simplex 9µm OS1/2 Connector:	FSOCLC9
LC-PC Simplex 50µm OM2/3/4 Connector:	FSOCLCX
LC-APC Simplex 9µm OS1/2 Connector:	FSOCLCA

OmniSplice SC Connectors

SC-UPC Simplex 9µm OS1/2 Connector:	FSOCS9
SC-PC Simplex 50µm OM2/3/4 Connector:	FSOCSX
SC-APC Simplex 9µm OS1/2 Connector:	FSOCSA

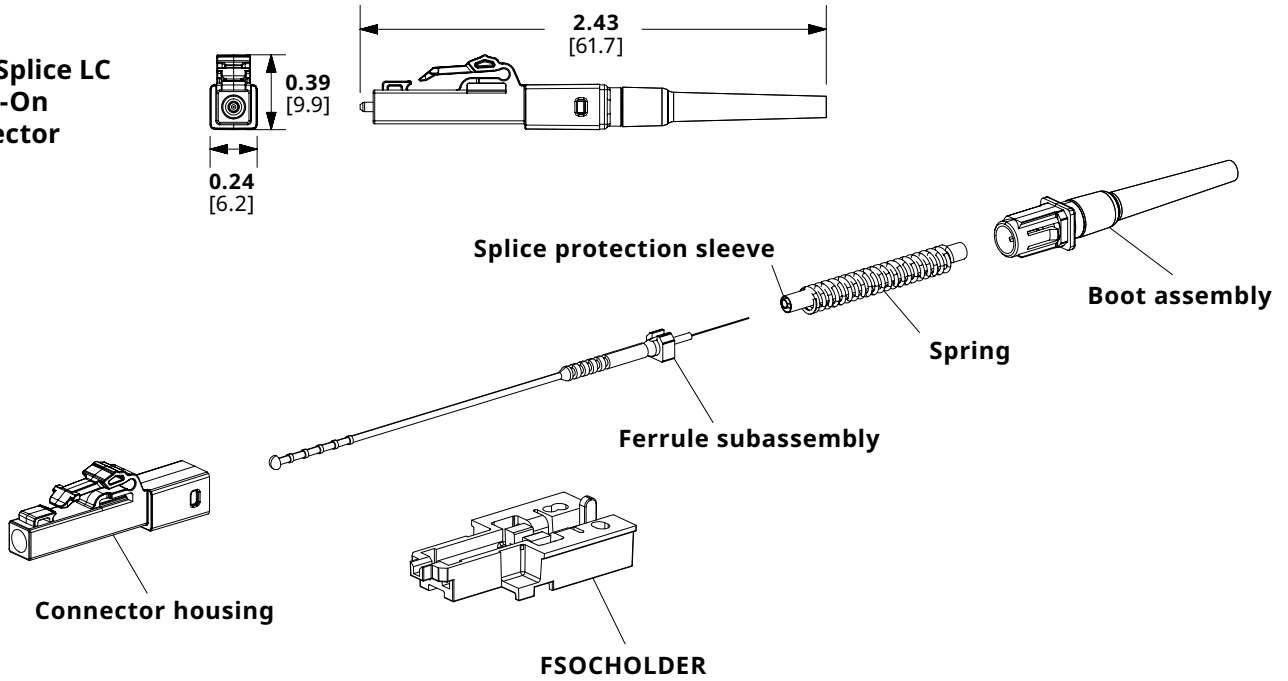
OmniSplice Holder

Holder for OmniSplice Connectors:	FSOCHOLDER
--	------------

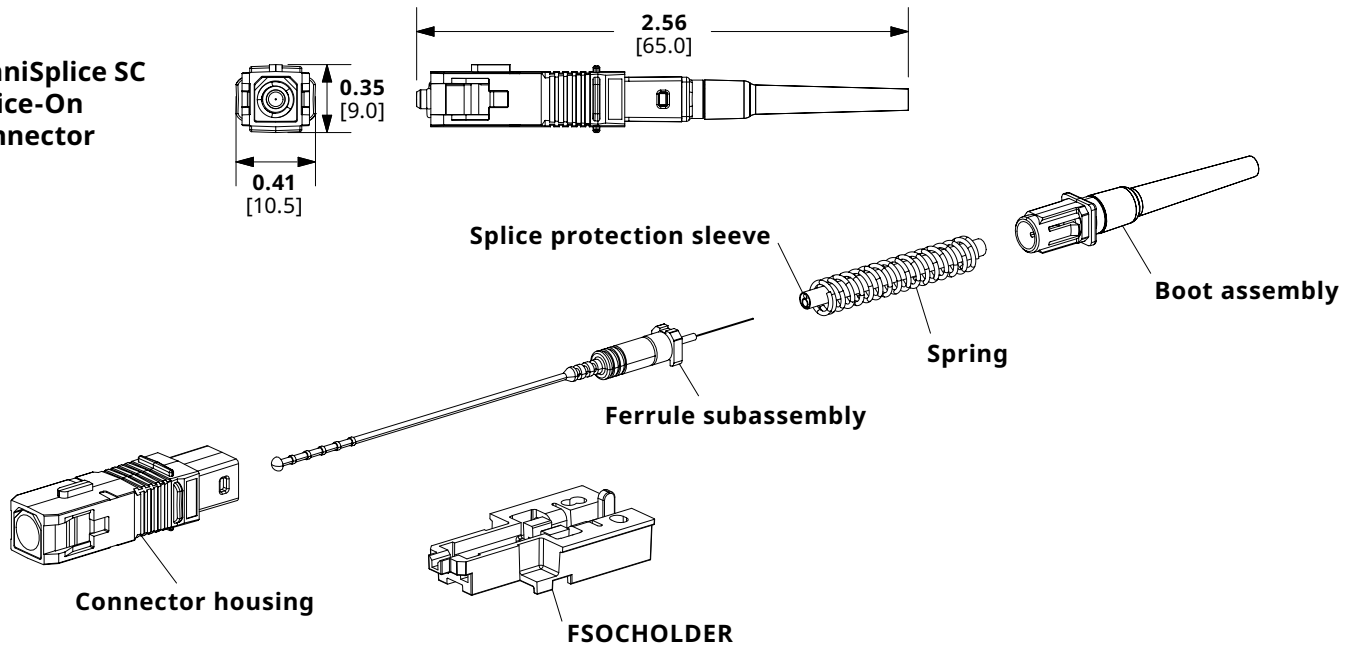
OmniSplice™ Fiber Optic Connectors

ENGINEERING DRAWINGS

**OmniSplice LC
Splice-On
Connector**



**OmniSplice SC
Splice-On
Connector**



Important Note: Please review the installation instructions for OmniSplice connectors to make sure the correct splice and heat settings are followed for whichever brand of splice machine is being used.