

CF

CEILING FAN HEATER



THE SPACE-SAVER

Stelpro has the perfect space-saving solution for heating small entryways, hallways and lobbies: the sturdy, reliable CF ceiling fan heater. Built to last, the CF pushes heat downward so that it mixes with the cold air below. It can be surface mounted or recessed into conventional ceilings or recessed in suspended ceilings. Whether installed in an entryway or hallway, the CF provides all the heat you need in an enclosed space.

- **GRILLE WITH ROUNDED SIDES**
DURABLE AND STYLISH
- **THE PERFECT SOLUTION FOR ENTRYWAYS AND HALLWAYS**
- **CEILING MOUNTED**
PREVENTS VANDALISM
- **MULTIPLE INSTALLATION OPTIONS**
CAN BE SURFACE MOUNTED OR RECESSED – OR RECESSED IN A SUSPENDED CEILING
- **OPTIONAL DISCONNECT SWITCH AVAILABLE**

COLOURS

- **standard:** white
- **Orora (optional):** refer to stelpro.com/orora/

FINISH

- epoxy-polyester powdercoat

MANUFACTURING

- 20-gauge steel cabinet and 18-gauge steel grille
- fan: 1 x 160 CFM (single unit) – 2 x 160 CFM (double unit)
- closed and permanently lubricated motor
- thermal protection with automatic reset

ELEMENT

- nichrome element producing instant heat

CONTROL

- connection of multiple units to the same thermostat is possible with a relay kit without transformer (optional) and an external transformer (not provided)
- built-in thermostat (optional), 3 control knobs included (white, soft white and black) for standard installation, without knob for tamper-proof installation

INSTALLATION

- ceiling
- recessed or surface mounted with surface adapter (optional)
- T-Bar adapter (optional)

WARRANTY

- three years



ROUNDED CORNERS

IDEAL FOR:

entryway, hallway, corridor, office building

°STELPRO

Stelpro reserves the right to modify at any time the description, manufacturing, or price of its products. Additionally, Stelpro may apply restocking fees or refuse a refund based on one or more of the following criteria: optional color, custom product, assembly with low-demand options. For the latest product information and prices regarding the products, please visit the website www.stelpro.com.

TECHNICAL SPECIFICATIONS

WITHOUT CONTROL	BUILT-IN THERMOSTAT	240 V CONTROL	24 V CONTROL	POWER	VOLTAGE	WEIGHT		MODEL
						KG	LB	
CODE	CODE	CODE	CODE	WATTS	VOLTS			UNIT
CF1501W	CF1501TW	---	CF1501C24W	1500	120	9	20	SINGLE
CF1508W	CF1508TW	CF1508CW	CF1508C24W	1500	208	9	20	SINGLE
CF1502W	CF1502TW	CF1502CW	CF1502C24W	1500/1125	240/208	9	20	SINGLE
CF1503W	CF1503TW	CF1503CW	CF1503C24W	1500	347	9	20	SINGLE
---	CF1506TW	CF1506CW	CF1506C24W	1500	600	10	22	SINGLE
CF2008W	CF2008TW	CF2008CW	CF2008C24W	2000	208	9	20	SINGLE
CF2002W	CF2002TW	CF2002CW	CF2002C24W	2000/1500	240/208	9	20	SINGLE
CF2003W	CF2003TW	CF2003CW	CF2003C24W	2000	347	9	20	SINGLE
---	CF2006TW	CF2006CW	CF2006C24W	2000	600	10	22	SINGLE
CF3008W	CF3008TW	CF3008CW	CF3008C24W	3000	208	9	20	SINGLE
CF3002W	CF3002TW	CF3002CW	CF3002C24W	3000/2250	240/208	9	20	SINGLE
CF3003W	CF3003TW	CF3003CW	CF3003C24W	3000	347	9	20	SINGLE
---	CF3006TW	CF3006CW	CF3006C24W	3000	600	10	22	SINGLE
CF4008W	CF4008TW	CF4008CW	CF4008C24W	4000	208	9	20	SINGLE
CF4002W	CF4002TW	CF4002CW	CF4002C24W	4000/3000	240/208	9	20	SINGLE
CF4003W	CF4003TW	CF4003CW	CF4003C24W	4000	347	9	20	SINGLE
---	CF4006TW	CF4006CW	CF4006C24W	4000	600	10	22	SINGLE
---	CF6008CTW	CF6008CW	CF6008C24W	6000	208	18	40	DOUBLE
---	CF6002TW	CF6002CW	CF6002C24W	6000/4500	240/208	18	40	DOUBLE
---	CF6003TW	CF6003CW	CF6003C24W	6000	347	18	40	DOUBLE
---	CF6006TW	CF6006CW	CF6006C24W	6000	600	20	44	DOUBLE
---	CF8008CTW	CF8008CW	CF8008C24W	8000	208	18	40	DOUBLE
---	CF8002CTW	CF8002CW	CF8002C24W	8000/6000	240/208	18	40	DOUBLE
---	CF8003CTW	CF8003CW	CF8003C24W	8000	347	18	40	DOUBLE
---	CF8006CTW	CF8006CW	CF8006C24W	8000	600	20	44	DOUBLE

Consult the optional colours chart or contact your Stelpro representative for all other colours.

Models also available in 277 V and 480 V.

--- not available

ACCESSORIES

PRODUCT	DESCRIPTION
WFT1	built-in single pole thermostat [120 V-600 V] (standard or tamper-proof)
WFT2	built-in double pole thermostat [120 V-600 V] (standard or tamper-proof)
WFA1W	surface adapter (single unit)
WFA2W	surface adapter (double unit)
WFDIS-30*	disconnect switch kit 600 V/30 A, 2 poles
WFDIS-40*	disconnect switch kit 600 V/40 A, 2 poles/3 poles
WFDIS-60*	disconnect switch kit 600 V/60 A, 2 poles/3 poles
CFTBA1W	T-Bar adapter (single unit)
CFTBA2W	T-Bar adapter (double unit)
WFC24RX*	relay kit without transformer 24 V

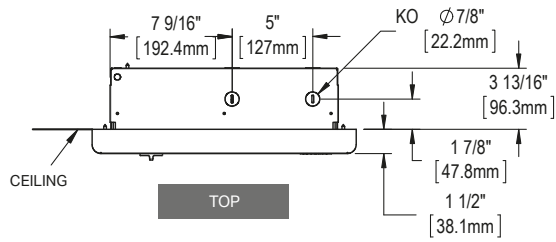
* Factory installation

THROW DISTANCE AND HEAT RISE

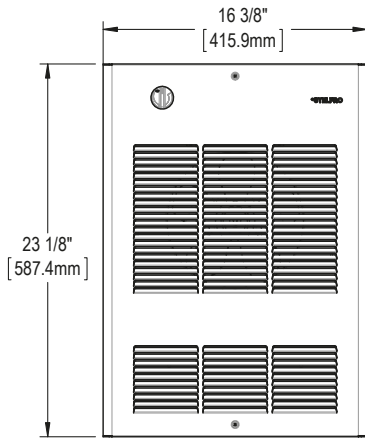
UNITS	THROW DISTANCE		HEAT RISE	
	M	FT	°C	°F
1.5	4.1	13'7"	17	30
2	4.1	13'7"	22	40
3	4.1	13'7"	33	59
4	4.1	13'7"	44	79
6	4.1	13'7"	33	59
8	4.1	13'7"	44	79
9	4.1	13'7"	33	59
12	4.1	13'7"	44	79

TECHNICAL DRAWINGS

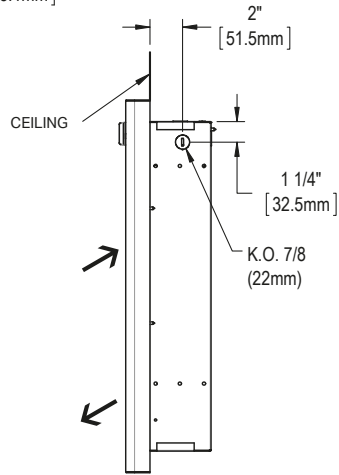
SINGLE UNIT



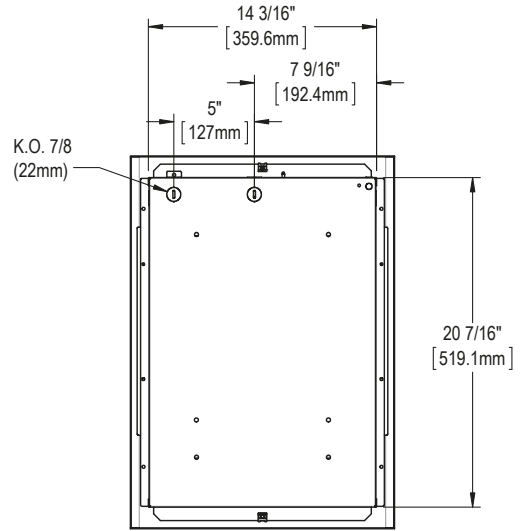
TOP



FRONT

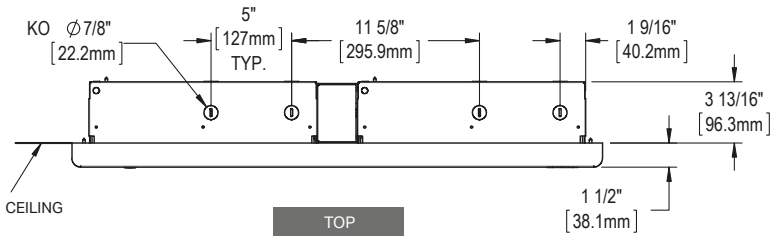


SIDE

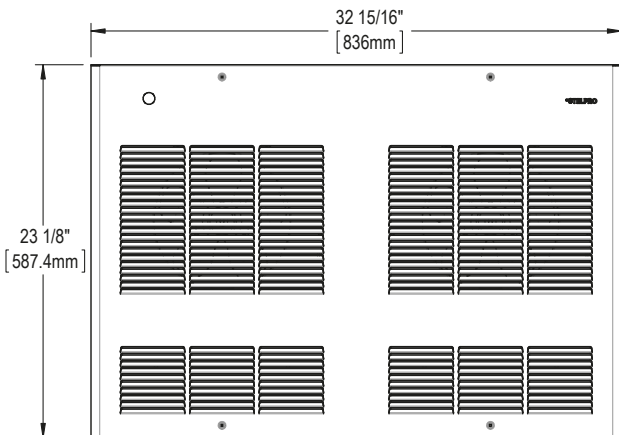


BACK

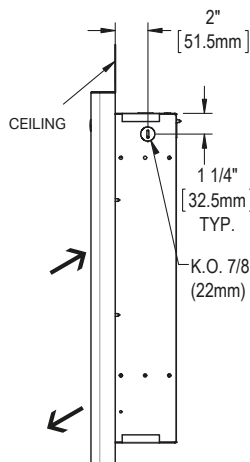
DOUBLE UNIT



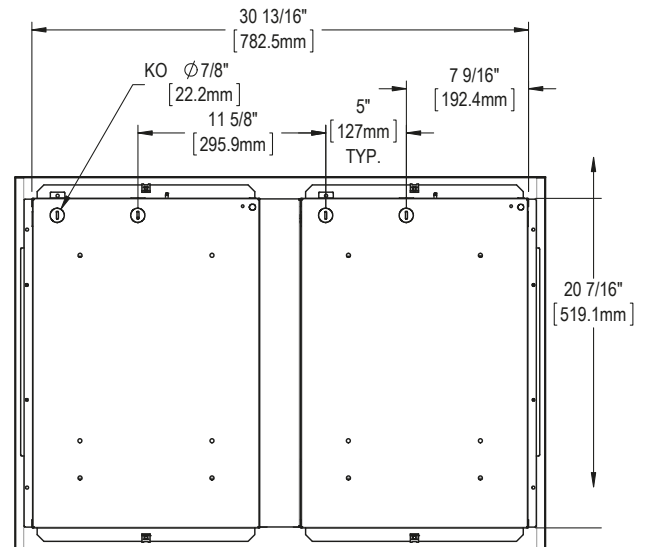
TOP



FRONT



SIDE



BACK



Stelpro reserves the right to modify at any time the description, manufacturing, or price of its products. Additionally, Stelpro may apply restocking fees or refuse a refund based on one or more of the following criteria: optional color, custom product, assembly with low-demand options. For the latest product information and prices regarding the products, please visit the website www.stelpro.com.