

VUH – OXFORD™

VERTICAL UNIT HEATER



OXFORD™
SERIES | SÉRIE

Triple cone unit (optional cone)



A MAMMOTH TO HEAT LARGE AREAS

The VUH not only impresses with its good looks but also its great, powerful and uncompromising operation. The greatest strength of this unit is its mode of operation; it is designed to circulate air continuously. The unit is responsible for recirculating the warm air that is often trapped near the ceiling and masterfully redirects it down 360°. The VUH, available from 5 kW to 60 kW, is an excellent choice for heating large areas.

- **HEAT RECYCLING SYSTEM**
DRAWS IN THE WARM AIR AT THE CEILING AND REDIRECTS IT WHERE IT IS NEEDED MOST
- **OPTIONAL CONE DIFFUSERS**
THREE SIZES AVAILABLE FOR BETTER AIR DISTRIBUTION
- **FULLY ENCLOSED MOTOR**
WITH BALL BEARINGS
- **PERFECT FOR LARGE SPACES**
WITH HIGH CEILINGS

COLOUR

- charcoal

FINISH

- epoxy-polyester powdercoat

MANUFACTURING

- heavy-duty, 16-gauge steel cabinet
- three sizes of cone diffusers available for better air distribution
- thermal protection with automatic reset

MOTOR

- totally enclosed with ball bearings

ELEMENT

- tubular element sheathed with spiral-wound fins for improved heat dissipation

CONTROL

- 24 V, 120 V or 240 V control circuit
- terminal block for remote fan control
- all units have factory installed contactors
- connection of multiple units to the same thermostat is possible with a relay kit without transformer (optional) and an external transformer (not provided)

INSTALLATION

- 4 1/2 in. (12.7 mm) mounting holes (5 kW to 10 kW units) for threaded rods (13-thread) (threaded rods not provided)
- four eyebolts for chain suspension (15 kW to 60 kW units)

WARRANTY

- three years

IDEAL FOR:

warehouse, factory, indoor parking garage, large industrial and commercial spaces

°**STELPRO**

Stelpro reserves the right to modify at any time the description, manufacturing, or price of its products. Additionally, Stelpro may apply restocking fees or refuse a refund based on one or more of the following criteria: optional color, custom product, assembly with low-demand options. For the latest product information and prices regarding the products, please visit the website www.stelpro.com.



TECHNICAL SPECIFICATIONS

240 V CONTROL	24 V CONTROL	120 V CONTROL	POWER	VOLTAGE	PHASE	FLOW	MOTOR	HEAT RISE		WEIGHT	
CODE	CODE	CODE	KILOWATTS	VOLTS	NB.	CFM	HP	°C	°F	KG	LB
VUH0581CCHAR	VUH0581C24CHAR	VUH0581C120CHAR	5	208	1	450	1/25	20	35	34.0	75
VUH0583CCHAR	VUH0583C24CHAR	VUH0583C120CHAR	5	208	3	450	1/25	20	35	34.0	75
VUH0521CCHAR	VUH0521C24CHAR	VUH0521C120CHAR	5/3.75	240/208	1	450	1/25	20	35	34.0	75
VUH0531CCHAR	VUH0531C24CHAR	VUH0531C120CHAR	5	347	1	450	1/25	20	35	34.0	75
VUH0563CCHAR	VUH0563C24CHAR	VUH0563C120CHAR	5	600	3	450	1/25	20	35	34.0	75
VUH0783CCHAR	VUH0783C24CHAR	VUH0783C120CHAR	7.5	208	3	600	1/25	22	39	34.0	75
VUH0721CCHAR	VUH0721C24CHAR	VUH0721C120CHAR	7.5/5.63	240/208	1	600	1/25	22	39	34.0	75
VUH0731CCHAR	VUH0731C24CHAR	VUH0731C120CHAR	7.5	347	1	600	1/25	22	39	34.0	75
VUH0763CCHAR	VUH0763C24CHAR	VUH0763C120CHAR	7.5	600	3	600	1/25	22	39	34.0	75
VUH1083CCHAR	VUH1083C24CHAR	VUH1083C120CHAR	10	208	3	750	1/25	23	42	34.0	75
VUH1021CCHAR	VUH1021C24CHAR	VUH1021C120CHAR	10/7.5	240/208	1	750	1/25	23	42	34.0	75
VUH1031CCHAR	VUH1031C24CHAR	VUH1031C120CHAR	10	347	1	750	1/25	23	42	34.0	75
VUH1063CCHAR	VUH1063C24CHAR	VUH1063C120CHAR	10	600	3	750	1/25	23	42	34.0	75
VUH1583CCHAR	VUH1583C24CHAR	VUH1583C120CHAR	15	208	3	1200	1/3	22	39	47.6	105
VUH1521CCHAR	VUH1521C24CHAR	VUH1521C120CHAR	15/11.25	240/208	1	1200	1/3	22	39	47.6	105
VUH1563CCHAR	VUH1563C24CHAR	VUH1563C120CHAR	15	600	3	1200	1/3	22	39	47.6	105
VUH2083CCHAR	VUH2083C24CHAR	VUH2083C120CHAR	20	208	3	1600	1/3	22	39	47.6	105
VUH2021CCHAR	VUH2021C24CHAR	VUH2021C120CHAR	20/15	240/208	1	1600	1/3	22	39	47.6	105
VUH2063CCHAR	VUH2063C24CHAR	VUH2063C120CHAR	20	600	3	1600	1/3	22	39	47.6	105
VUH2583CCHAR	VUH2583C24CHAR	VUH2583C120CHAR	25	208	3	2000	1/3	22	39	47.6	105
VUH2521CCHAR	VUH2521C24CHAR	VUH2521C120CHAR	25/18.75	240/208	1	2000	1/3	22	39	47.6	105
VUH2563CCHAR	VUH2563C24CHAR	VUH2563C120CHAR	25	600	3	2000	1/3	22	39	47.6	105
VUH3083CCHAR	VUH3083C24CHAR	VUH3083C120CHAR	30	208	3	2300	1/3	23	41	47.6	105
VUH3021CCHAR	VUH3021C24CHAR	VUH3021C120CHAR	30/22.5	240/208	1	2300	1/3	23	41	47.6	105
VUH3063CCHAR	VUH3063C24CHAR	VUH3063C120CHAR	30	600	3	2300	1/3	23	41	47.6	105
VUH4063CCHAR	VUH4063C24CHAR	VUH4063C120CHAR	40	600	3	4000	3/4	18	32	90.7	200
VUH5063CCHAR	VUH5063C24CHAR	VUH5063C120CHAR	50	600	3	4000	3/4	22	39	90.7	200
VUH6063CCHAR	VUH6063C24CHAR	VUH6063C120CHAR	60	600	3	4800	3/4	22	39	90.7	200

The C24 code applies only to the thermostat. The fan remains energized at 240 V.

ACCESSORIES

PRODUCT	DESCRIPTION
VUHFS*	fan switch
VUHC24RX*	relay kit without transformer 24 V
VUHDIS80CHAR*	disconnect switch [80 A]
VUHDIS100CHAR*	disconnect switch [100 A]
VUHDIS200CHAR*	disconnect switch [200 A]

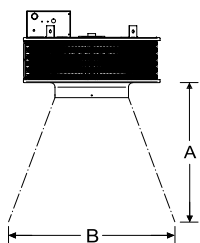
* Factory installed



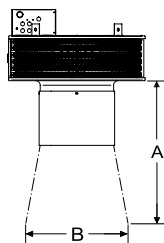
CONE DIFFUSERS AND THROW DISTANCES

PRODUCT CODE	TYPE CONE	POWER KILOWATTS	WEIGHT		SURFACE A		SURFACE B	
			KG	LB	M	FT.	M	FT.
---	WITHOUT CONE	5-10	---	---	3.7	12	5.8	19
---	WITHOUT CONE	15-30	---	---	6.1	20	8.3	27
---	WITHOUT CONE	40-60	---	---	9.1	30	14.0	46
VUHJC1CHAR	JET	5-10	2.3	5	4.3	14	4.9	16
VUHJC2CHAR	JET	15-30	2.3	5	6.7	22	6.1	20
VUHJC3CHAR	JET	40-60	2.3	5	9.8	32	9.1	30
VUHSC2CHAR	SINGLE	15-30	5	11	3.7	12	9.5	31
VUHSC3CHAR	SINGLE	40-60	5	11	4.9	16	10.0	33
VUH3C1CHAR	TRIPLE	5-10	10	22	3.1	10	9.5	31
VUH3C2CHAR	TRIPLE	15-30	10	22	4.2	15	14.0	46
VUH3C3CHAR	TRIPLE	40-60	10	22	6.1	20	15.0	49
VUH4C1CHAR	QUADRUPLE	5-10	15	33	3.1	10	10.4	34
VUH4C2CHAR	QUADRUPLE	15-30	15	33	4.2	15	15.3	50
VUH4C3CHAR	QUADRUPLE	40-60	15	33	6.1	20	17.1	56

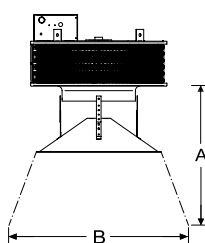
WITHOUT CONE



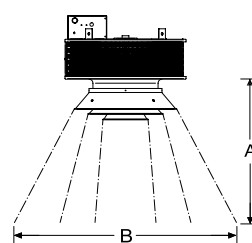
JET CONE



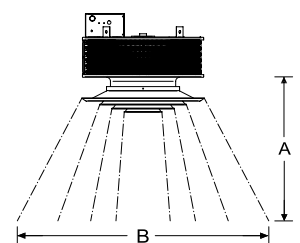
SINGLE CONE



TRIPLE CONE

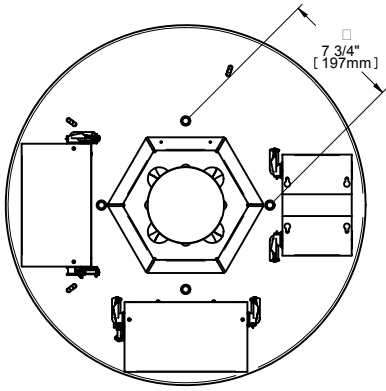


QUADRUPLE CONE

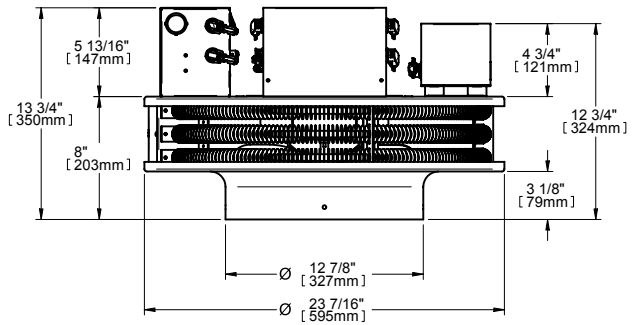


TECHNICAL DRAWINGS

5 KW TO 10 KW UNITS

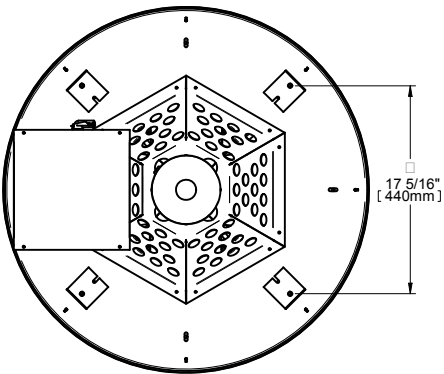


TOP

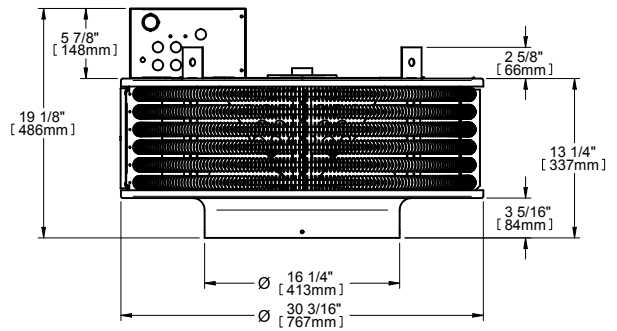


FRONT

15 KW TO 30 KW UNITS

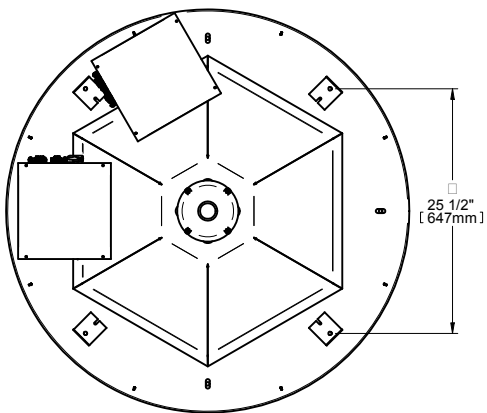


TOP

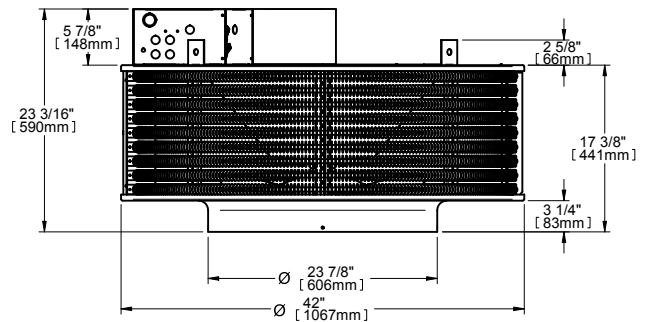


FRONT

40 KW TO 60 KW UNITS



TOP



FRONT