

RZR-621

GIMBAL DOWNLIGHT WITH 3K - 4K - 5K SELECTABLE COLOR TEMPERATURE



NAME:	
TYPE:	
DATE:	
NOTES:	

SPECIFICATIONS

LIGHT UNIT:	Aluminum Die cast with powder paint coat preventing discoloring and rusting.
INSTALLATION:	Ideal for shallow ceiling installations with no housing required. Steel spring clip for easy installation and suitable in t-grid and drop ceiling applications.
WIRING:	Plenum rated cable used to connect light unit and junction box.
JUNCTION BOX:	Aluminum extrusion, with full ½" knockouts on each side and the end of the junction box. Wiring compartment allows for (6) 12 gauge (AWG) or (8) 14 gauge (AWG) insulated conductors. Connection to one (1) downstream unit is permitted within the junction box compartment. The compartment satisfies junction box volume requirements of CSA C22.2 No. 250.0/UL 1598.
OPTICS:	Back-lit LED technology uses light guided plate to distribute light. A polycarbonate lens is used to provide even illumination throughout the installation. The regressed design offers an anti-glare feature.
ELECTRICAL & PHASE CONTROL:	Easily connected to a 120V power supply via provided UL recognized driver. Dimming down to 10% with most standard LED dimmers (see list of approved dimmers). Ambient operating temperature: -40°C (-40°F) to +40°C (+104°F). IC, WET Location and AIR-TIGHT rated. Phase Control: Forward Phase. Certifications: This product is ETL listed in USA & Canada, certified to UL standard 1598 and CSA standard C22.2 No. 250.0-08

CUTTING HOLE:	6.33" (160.6mm)
MOUNTING PLATE:	AMP600 / MPH425-600
BEAM ANGLE:	107°
GIMBAL ANGLE:	20°
CRI:	80
LUMEN OUTPUT:	1100 lumens
DIMMABLE:	Yes
WATTS:	13 watts
LED LIFE:	50,000 hours
WARRANTY:	5 years
WIRE CABLE:	FT6 rated
DRIVER (SPECIAL ORDER):	120-277V, 0-10V Dimming

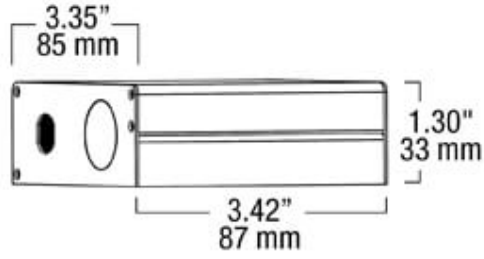
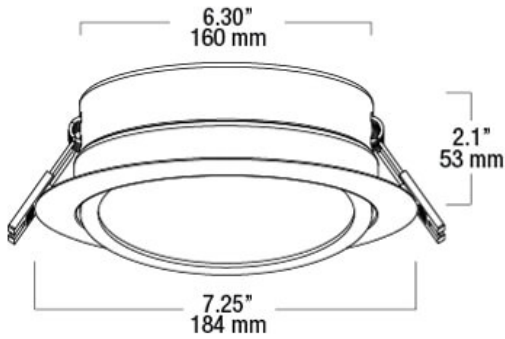
APPLICATIONS

This latest CCT (Correlated Color Temperature) technology is offered in a low-profile design. It features three (3) color temperatures 3K, 4K & 5K to select from. The color temperature selector is located on the light unit, which allows for color selection to be made at final install stage. It is IC and AIR-TIGHT rated and allows installation in almost any location, even directly under a ceiling joist. Whether is is a Remodel or New Construction installation, this unit is well suited for indoor / outdoor residential, hospitality, commercial and multifamily applications. It does not require a recessed housing for installation.

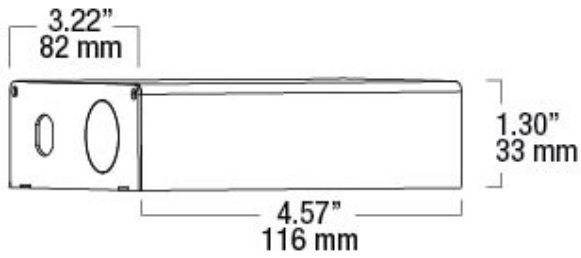
RZR-621

GIMBAL DOWNLIGHT WITH 3K - 4K - 5K SELECTABLE COLOR TEMPERATURE

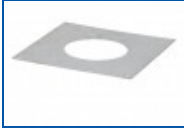
DIMENSIONS



Optional / En option
277V - 9 - 13W



ACCESSORIES



MOUNTING PLATE

Versatile square mounting plate allows for installation of all models of ndr lighting recessed lighting products. refer to our mounting plate compatibility chart to ensure the proper mounting plate is selected.



RAZOR CABLES

These connecting cables are for use with the ndr lighting razor series. these cables allow for greater flexibility in designing custom layout needs.



REMODEL VAPOUR BARRIER

The remodel vapour barrier unit may be used with all ndr lighting remodel housings. it is designed to prevent air leakage from your living space into the attic, or any insulated spaces.



ADJUSTABLE MOUNTING PLATE

Versatile adjustable mounting plate allows for installation of all models of ndr lighting recessed lighting products. refer to our mounting plate compatibility chart to ensure the proper mounting plate is selected.



VAPOUR BARRIER

This vapour barrier unit may be used with all ndr lighting recessed lighting products. it is designed to prevent air leakage from your living space into the attic, or any insulated spaces.



GOOF RINGS

This goof ring is used when the ceiling hole is wider than the retrofit light unit being installed. refer to our goof ring compatibility chart to ensure the proper goof ring is selected.



UNIVERSAL MOUNTING PLATE WITH ADJUSTABLE HANGER BARS

This multi-size adjustable mounting plate allows for installation of all models of ndr lighting recessed lighting products. refer to our mounting plate compatibility chart to ensure the proper mounting plate is selected.

RATINGS



ORDERING GUIDE

RAZOR 621 CCT SERIES

Series	Color Temperature	Finish
RZR-CCT-621	3000K-4000K-5000K/80CRI/13W	WH White
	3000K-4000K-5000K/80CRI/13W	BLK Black
	3000K-4000K-5000K/80CRI/13W	SC Satin Chrome

Notes: Configure product using **BOLD** options: Ex: **RZR-CCT-621-WH**