

PROJECT:

DISTRIBUTOR:

DRAWN BY:

CATALOGUE #:

CONTRACTOR:

DATE:

TYPE:

PO:



**STANPRO**

**SPEC SHEET**

**5 CCT SELECTABLE**

**FEATURES AND SPECIFICATIONS**

**CONSTRUCTION**

**Physical Characteristics**

- Die cast aluminum housing with integrated heat sink
- Available in textured white and black
- CCT selectable switch is placed on the back of track head
- Clear polycarbonate lens
- Standard beam angle is 40°

**Mounting**

- Track mounting with J style adaptor
- Compatible with Stanpro [STJ Tracks](#)
- Compatible with Stanpro [track accessories](#)

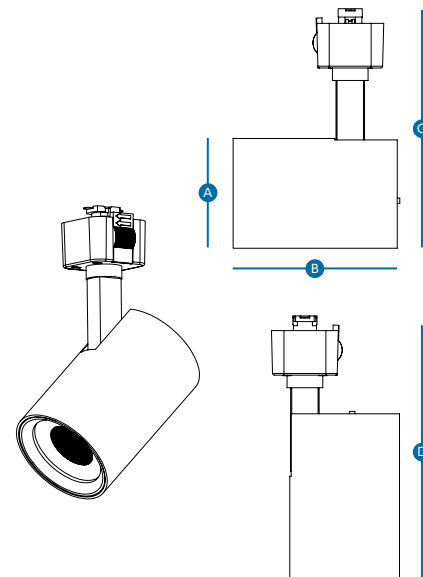
**PERFORMANCE DATA**

- Available in 2 700/3 000/3 500/4 000/5 000 K selectable color temperature
- 90+ CRI for true color accuracy
- Electrical ratings: 120 V
- Lumen output: 961 - 1187 lm
- Phase cut (ELV / Triac) dimming standard
- THD: 20%
- Estimated life of over 50 000 hours to L70
- Operating temperature: -30 °C to 45 °C (-22 °F to 113 °F)

**COMPLIANCES**

- cETLus listed for Canada for dry locations
- Meets requirements of ICES-005 issue 5 class B for use in residential and commercial applications

**TECHNICAL DRAWINGS**



A	B	C	D	Net Weight (lbs)
2 1/8" (6.10 cm)	3 5/8" (9.20 cm)	5 1/4" (13.40 cm)	5 4/5" (1.47 cm)	0.70

\*Design variations may occur based on size. Refer to the product webpage for size-specific drawings.



5 CCT



5 YEARS WARRANTY



ICES 005



Intertek

## QUICK SHIP AND TECHNICAL SPECIFICATION TABLE<sup>1</sup>

### INDIVIDUAL TRACK HEAD

Type	Order Code	Model Number	Lumen Output (lm) <sup>2</sup>	Efficacy (lm/W)	Watts (W)	Life L70 (hrs) <sup>3</sup>	Finish	Power Factor	Master Case Qty	UPC Code
	70686	TLP-12-AJ-5CWH/CHOICE	1050	88	12	50 000	White	≥0.90	24	069549036581
	70687	TLP-12-AJ-5CBK/CHOICE	1000	83	12	50 000	Black	≥0.90	24	069549036598

<sup>1</sup> Typical color temperature range: +/- 5 %.

<sup>2</sup> Lumen values are derived from photometric testing. Initial lumens range: +/- 10 %.

<sup>3</sup> Life hours are derived from IESNA LM-80 testing report and projected per IESNA TM-21 extrapolations.

### KIT OF 3 TRACK HEADS

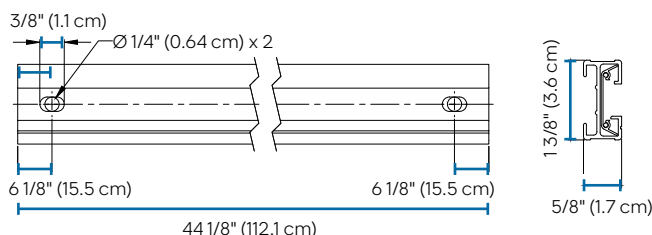
Type	Order Code	Model Number	Lumen Output (lm) <sup>2</sup>	Efficacy (lm/W)	Watts (W)	Life L70 (hrs) <sup>3</sup>	Finish	Power Factor	Track Rail Length (ft)	UPC Code
	71200	TLP-12-AJ-5CWH/CHOICE/STJ4-WH/ST26-WH	3150	88	12	50 000	White	≥0.90	4	069549037960
	71201	TLP-12-AJ-5CBK/CHOICE/STJ4-BK/ST26-BK	3000	83	12	50 000	Black	≥0.90	4	069549037977

<sup>1</sup> Typical color temperature range: +/- 5 %.

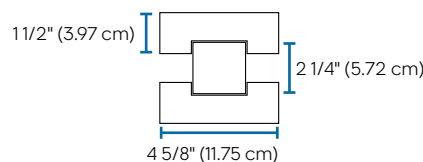
<sup>2</sup> Lumen values are derived from photometric testing. Initial lumens range: +/- 10 %.

<sup>3</sup> Life hours are derived from IESNA LM-80 testing report and projected per IESNA TM-21 extrapolations.

#### 4' STJ TRACK



#### FLOATING FEED



## LUMEN SPECIFICATION TABLE

Order Code	Model Number	Watts (W)	2 700 K		3 000 K		3 500 K		4 000 K		5 000 K		Default Programming
			Lumen Output (lm)	Efficacy (lm/W)	Lumen Output (lm)	Efficacy (lm/W)	Lumen Output (lm)	Efficacy (lm/W)	Lumen Output (lm)	Efficacy (lm/W)	Lumen Output (lm)	Efficacy (lm/W)	
<b>70686</b>	TLP-12-AJ-5CWH/CHOICE	12	989	82	1058	88	1172	98	1187	99	1135	95	2 700 K
<b>70687</b>	TLP-12-AJ-5CBK/CHOICE	12	961	80	1026	86	1135	95	1148	96	1096	91	2 700 K

## COMPATIBLE DIMMERS<sup>1</sup>

Brand	Model
<b>Legrand</b>	RH730PTUTC
<b>Cooper</b>	AAL06, DAL06P, SAL06P3
<b>Leviton</b>	6615, 6674, DDMX1, DSL06-1LZ, DSM10-1LZ, IPE04-1LZ, IPL06
<b>Lutron</b>	AYCL-253P, CTCL-153P, DVCL-153P, DVCL-253P, DVCLV-300P, HCL453P, MACL-153P, PD-6WCL, SELV-300P

**Dimming range:** 1%-100 %

<sup>1</sup> This table shows dimmers that have been tested and have demonstrated proper operation under normal conditions. Each installation being unique, various factors such as load, common neutrals or other electrical products on the circuit can, in certain instances, cause variance in system performance. Read and comply to the dimmer installation instructions. Consult dimming system manufacturer for additional support in operation. Some dimmers may require more than one product for stable operation. Stanpro recommends to use dimmers designed to work with LED products. Older dimmers designed for incandescent products may cause erratic operation.