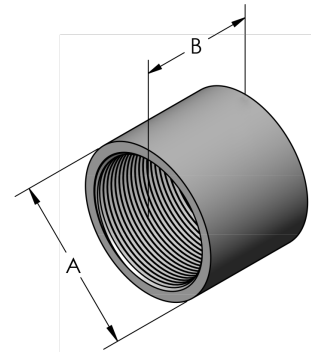


Features

- Electro galvanized for excellent corrosion resistance
- High strength ductile steel for long life and easy bending
- Smooth, continuous raceways for fast wire pulling
- Kwik-Release End Cap to protect threads
- Listed to Safety Standard UL 6
- Manufactured in accordance with ANSI C80.1
- Available in trade sizes 1/2" (16 mm) - 6" (155 mm)



Standards

- Precision manufacturers for dependable, long-lasting value and ultimate protection for electrical conductors
- Highly resistant to damage from impact (Article 344 NEC)
- Recognized as equipment grounding conductor (Sec 250.118 NEC)
- UL Safety Standard 6

Galvanized Rigid Conduit (GRC) Couplings

Listed to Safety Standard UL 6

Manufactured in accordance with ANSI C80.1

| Trade Size | Metric Designator | Nominal OD (A) ¹ | | Length (B) ¹ | | Threads Per Inch ¹ | Approximate Weight Per 1000 Pieces | | Standard Package |
|------------|-------------------|-----------------------------|-------|-------------------------|-------|-------------------------------|------------------------------------|-------|------------------|
| | | (in) | (mm) | (in) | (mm) | | (lb) | (kg) | |
| 1/2 | 16 | 1.01 | 25.7 | 1 5/8 | 41.3 | 14 | 12 | 5.4 | 100 |
| 3/4 | 21 | 1.25 | 31.8 | 1 4/16 | 41.7 | 14 | 18 | 8.2 | 50 |
| 1 | 27 | 1.53 | 38.7 | 1 3/32 | 50.0 | 11 1/2 | 30 | 13.6 | 30 |
| 1 1/4 | 35 | 1.87 | 47.5 | 2 1/32 | 51.6 | 11 1/2 | 37 | 16.8 | 25 |
| 1 1/2 | 41 | 2.16 | 54.7 | 2 1/16 | 52.4 | 11 1/2 | 52 | 23.6 | 25 |
| 2 | 53 | 2.65 | 67.3 | 2 1/8 | 54.0 | 11 1/2 | 72 | 32.7 | 20 |
| 2 1/2 | 63 | 3.25 | 82.6 | 3 3/16 | 81.0 | 8 | 170 | 77.1 | 24 |
| 3 | 78 | 3.87 | 98.3 | 3 5/16 | 84.1 | 8 | 210 | 95.3 | 16 |
| 3 1/2 | 91 | 4.50 | 114.5 | 3 13/32 | 86.5 | 8 | 340 | 154.2 | 12 |
| 4 | 103 | 4.88 | 123.8 | 3 39/64 | 89.3 | 8 | 300 | 136.1 | 10 |
| 5 | 129 | 6.00 | 152.4 | 3 61/64 | 100.4 | 8 | 475 | 215.5 | 5 |
| 6 | 155 | 7.20 | 182.9 | 4 1/4 | 108.0 | 8 | 765 | 347.0 | 3 |

¹Minimum requirement as per UL Standard

