

# 4MP Fixed Turret Camera (2.8 mm)

N2T-4RA2



## Key Features

- 4MP Turret Housing
- 2.8 mm Fixed Lens
- Video Content Analytics: Line Crossing, Intrusion
- Intelligent Motion Detection (iMD)

## Certifications and Compliance

- NDAA Compliant
- FCC
- ONVIF

## Learn More



Learn more about this product's key technologies.



View all compatible accessories for this product.

## Overview

The **N2T-4RA2** is part of Luminys's Starter series. Starter series devices are designed with a curated selection of technologies and features to provide high-quality security without unnecessary or complicated add-ons.

## Key Technologies

**Video Content Analytics (VCA)** is the umbrella for line crossing and intrusion analytics. Line Crossing identifies when a person or object crosses a defined line. Intrusion detects when a person or object breaches the boundaries of a defined area or enters a restricted area. VCA is available on most Luminys network cameras.

**Intelligent Motion Detection (iMD)** technology accurately detects and filters humans and vehicle in a monitoring area. Using an advanced algorithm, iMD can accurately detect humans and vehicles while reducing false alarms caused by other objects, animals, or lighting. Users can be alerted to iMD events for timely security. iMD events can be saved for future reference and easily searched for at a later time for forensic analysis and to assist in investigations.

# Specifications

## Camera

Luminys Series	Starter
Image Sensor	1/2.9-in. 4MP Progressive CMOS
Maximum Resolution	2688 x 1520
Minimum Illumination	<b>Color:</b> 0.005 Lux at F1.6 <b>Black and White:</b> 0.0005 Lux at F1.6 0 Lux With IR On
Number of Illuminators	Two (2) IR LEDs
Illuminator Control	Automatic, Manual, Off
Maximum Illumination Distance	Up to 30.5 m (100 ft.)
Electronic Shutter Speed	Automatic, Manual 1/3 s to 1/100,000 s
Installation Angle	<b>Pan:</b> 0 to 360° <b>Tilt:</b> 0° to 78° <b>Rotation:</b> 0° to 360°
S/N Ratio	> 56 dB

## Lens

Iris Type	Fixed
Lens Type	Fixed
Focal Length	2.8 mm
Maximum Aperature	F1.6
Field of View	<b>Horizontal:</b> 95° <b>Vertical:</b> 52° <b>Diagonal:</b> 114°
Close Focus Range	1.1 m (3.6 ft)
DORI Distance	<b>Detect:</b> 63.4 (208.0 ft) <b>Observe:</b> 25.1 m (82.4 ft) <b>Recognize:</b> 12.4 m (40.7 ft) <b>Identify:</b> 6.2 m (20.3 ft)

## Video

Compression	H.265, H.264, MJPEG (Sub Stream Only)
Standard Codec	Supported
Stream Capability	Two (2) Streams
Resolution	4MP (2688 x 1520), 4MP (2560 x 1440), 3MP (2304 x 1296), 1080p (1920 x 1080), 1.3MP (1280 x 960), 720P (1280 x 720), D1 (704 x 480), VGA (640 x 480), CIF (352 x 240)
Maximum Frame Rate	<b>Main Stream:</b> 4MP (2688 x 1520) at 20 fps <b>OR</b> 4MP (2560 x 1440) at 30 fps <b>Sub Stream:</b> D1 (704 x 480) at 30 fps
Video Bit Rate	<b>H.264</b> <ul style="list-style-type: none"><li>• <b>Main Stream:</b> 3,072 kbps to 6,144 kbps</li><li>• <b>Sub Stream:</b> 512 kbps to 2,048 kbps</li></ul> <b>H.265</b> <ul style="list-style-type: none"><li>• <b>Main Stream:</b> 1,280 kbps to 6,144 kbps</li><li>• <b>Sub Stream:</b> 211 kbps to 1,280 kbps</li></ul>
Bit Rate Control	CBR/VBR
Day/Night	Automatic, Color, Black and White
Light Balancing	Wide Dynamic Range (120 dB)
Noise Reduction	3D NR
Image Angle	0°, 90°, 180°, 270° (90° and 270° Supported for 2688 x 1520 Resolution and Lower)

## Video

Mirroring	Supported
Region of Interest	Four (4) Zones

## Analytics

Video Content Analytics	Line Crossing, Intrusion
Intelligent Motion Detection	Supported with Alarms for Vehicles and Humans

## Audio

Compression	G.PCM, G.711a, G.711Mu
Interface	<b>Input:</b> Built-In Microphone

## Alarm

Event	Line Crossing, Intrusion, Motion Detection, iMD, Audio Detection, Video Tampering, Disk Full, Disk Error, Voltage Detection, Security Exception
-------	--

## Network

Interface	RJ-45 (10/100 Base-T)
Protocol	IPv4, IPv6, DNS, TCP, UDP, DHCP, HTTP, HTTPS, 802.1X, RTSP, DDNS, P2P, SMTP, RTMP, UPnP, Auto Registration, ICMP, IGMP, FTP, SFTP, RTP, RTCP, ARP, NTP, Multicast, NFS
Interoperability	ONVIF (Profile S/G/T), CGI
Browser	Chrome, Firefox, Edge* <small>*Must Have Internet Explorer Compatibility Mode On</small>
Client	LumiViewer Desktop Client, LumiViewer Mobile App
Storage	FTP, SFTP, MicroSD Card (Max. 256 GB)

## Electrical

Power Supply	12 VDC, PoE (802.3af)
Power Consumption	<b>12 VDC</b> <ul style="list-style-type: none"><li>• <b>Maximum:</b> 6.6 W</li><li>• <b>Average:</b> 2.4 W</li></ul> <b>PoE</b> <ul style="list-style-type: none"><li>• <b>Maximum:</b> 7.9 W</li><li>• <b>Average:</b> 3.0 W</li></ul>

## Construction

Net Weight	0.52 kg (1.2 lb)
Gross Weight	0.68 kg (1.5 lb)
Operating Temperature	-40 °C to 60 °C (-40°F to 140°F) < 95% RH
Storage Temperature	-40 °C to 60 °C (-40°F to 140°F)
Product Dimensions	Φ122.0 mm x 105.4 mm (Φ4.8 in. x 4.2 in.)
Packaging Dimensions (L x W x H)	148.0 mm x 139.0 mm x 137.0 mm (5.8 in. x 5.5 in. x 5.4 in.)
Protection Ratings	IP67
Material	Metal

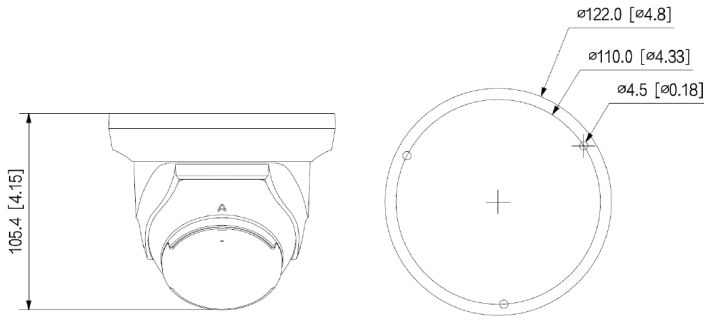
## Certifications and Compliance

Certifications	FCC
Compliance	NDAA



## Dimensional Drawing

mm [in.]



## Compatible Accessories

Below are the compatible accessories for this product. Not all accessories are included with purchase; some must be purchased separately. For each mount type, all listed SKUs are required to ensure proper installation.

Cross-check the accessories in this datasheet with the Luminy's accessory selector tool, and verify that the mount size corresponds to the camera size. Failure to check may result in an incorrect or incomplete mount.

Accessory Combination	SKU(s)	Description
Junction Box	LUM-J02 <b>OR</b> LUM-CJ11 (Must be Purchased Separately)	Junction Box for Select Standard Size Dome and Mini Turret Camera Models <b>OR</b> Waterproof Junction Box for Select Standard Size Dome and Mini Turret Camera Models
Wall Mount	LUM-W01 (Must be Purchased Separately)	Wall Mount Bracket for Select N5D Dome and N5T/N3T Turret Cameras
Horizontal Pole Mount (Option 1)*	LUM-W01 (Must be Purchased Separately)	Wall Mount Bracket for Select N5D Dome and N5T/N3T Turret Cameras
	LUM-P02 (Must be Purchased Separately)	Pole Mount Bracket for Select N3 and N5 Series Cameras
Horizontal Pole Mount (Option 2)*	LUM-A01 (Must be Purchased Separately)	Adapter Plate for Select Dome and Turret Cameras
	LUM-W02 (Must be Purchased Separately)	Wall Mount Bracket for Select N5D, N5T, N3T, P45, P54, and P55 Cameras
	LUM-P01 (Must be Purchased Separately)	Pole Mount Bracket for Select N3 and N5 Series Cameras
Vertical Pole Mount*	LUM-A01 (Must be Purchased Separately)	Junction Box for Standard Size Turret Camera Models
	LUM-E01 (Must be Purchased Separately)	Ceiling Mount Bracket for Standard Dome, Dome Wedge, and Mini Turret Cameras
	LUM-P01 (Must be Purchased Separately)	Pole Mount Bracket for Select N3 and N5 Series Cameras
Pendant Mount*	LUM-A01 (Must be Purchased Separately)	Adapter Plate for Select Dome and Turret Cameras
	LUM-E01 (Must be Purchased Separately)	Ceiling Mount Bracket for Standard Dome, Dome Wedge, and Mini Turret Cameras
Corner Mount*	LUM-A01 (Must be Purchased Separately)	Adapter Plate for Select Dome and Turret Cameras
	LUM-W02 (Must be Purchased Separately)	Wall Mount Bracket for Select N5D, N5T, N3T, P45, P54, and P55 Cameras
	LUM-C01 (Must be Purchased Separately)	Corner Mount Bracket for N3/N5/N9/P4/P Series Cameras

\*All SKUs listed must be used to complete the mounting combination. Verify the compatibility of the listed mounting components prior to ordering. Failure to use all SKUs listed and ensure compatibility may result in an incorrect or incomplete mount.