

Junction Box

LUM-J09



Key Features

- Dimensions: 878.5 mm x 824.0 mm x 180.0 mm (34.6 in. x 32.4 in. x 7.1 in.)
- Aluminum Alloy Construction
- Max. Load Capacity: 1.0 kg (2.2 lb)

Learn More



View the accessory selector for all mount options.

Specifications

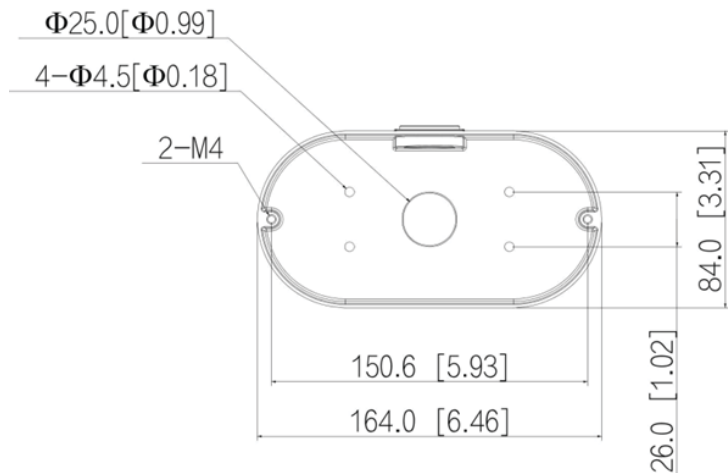
Weight	0.2 g (0.4 lb)
Load Bearing Capacity	1.0 kg (2.2 lb)
Material	Aluminum
Color	White
Screw Thread Type	G3/4 in.
Dimensions	164.0 mm x 84.0 mm x 36.5 mm (6.5 in. x 3.3 in. x 1.4 in.)

Dimensional Drawing

mm [in.]



Side View



Aerial View