

8MP Network LumiNightKing Turret Camera (2.8 mm)

N4T-8VA2



Key Features

- 8MP Turret Housing
- 2.8 mm Lens
- AI-ISP
- White-Light LEDs
- Video Content Analytics: Line Crossing, Intrusion
- iMD
- LumiPolarPro and LumiDesertPro

Certifications and Compliance

- NDAA Compliant
- FCC
- IC

Learn More



Learn more about this product's key technologies.



View all compatible accessories for this product.

Overview

The **N4T-8VA2** is part of Luminy's Mainstream series of security devices. Mainstream series devices are designed with a suite of advanced LumiTechnologies to meet the needs of today's evolving security market.

Equipped with LumiNightKing technology, this camera provides flexible and reliable full-color video in near-dark conditions. It supports covert monitoring with no LEDs or 24/7 white-light LEDs for deterrent monitoring. This camera is also designed with LumiPolarPro and LumiDesertPro technologies to withstand extreme environments. It has both 12 VDC and PoE (Power over Ethernet) for flexible installation.

LumiNightKing cameras are built for mission-critical surveillance in challenging environments such as industrial facilities, transportation hubs, night clubs, and outdoor perimeters. Their dual-purpose capability makes the series ideal for security applications that want a discrete camera to preserve the ambiance of a scene and for scenes that need a visible presence from continuous white-light LEDs throughout the night.

Key Technologies

LumiNightKing technology provides advanced, versatile low-light performance. Cameras with this technology combine a large pixel size sensor, an advanced AI-ISP, and ultra-wide F1.0 to capture images in near-total darkness without relying on IR or visible white-light LEDs. LumiNightKing cameras also have white-light LEDs that can be programmed to remain on throughout the night for deterrence and lighting.

Video Content Analytics (VCA) is the umbrella for line crossing and intrusion analytics. Line crossing identifies when a person or object crosses a defined line. Intrusion detects when a person or object breaches the boundaries of a defined area or enters a restricted area. VCA is available on most Luminy network cameras.

LumiPolarPro and **LumiDesertPro** technology ensures rugged all-weather performance. LumiPolarPro enables dependable performance in temperatures as low as -40 °C (-40 °F). LumiDesertPro allows operation in temperatures up to 60 °C (140 °F).

Specifications

Camera

Luminys Series	Mainstream
Image Sensor	1/1.8-in. 8MP Progressive CMOS
Maximum Resolution	3840 x 2160
Minimum Illumination	Color: 0.0003 lux at F1.0
Number of Illuminators	White Light: Two (2)
Illuminator Control	Automatic, Manual
Maximum Illumination Distance	30.0 m (98.4 ft)
Electronic Shutter Speed	Automatic, Manual 1/3 s to 1/100,000 s
Installation Angle	Pan: 0° to 360° Tilt: 0° to 78° Rotation: 0° to 360°
S/N Ratio	> 56 dB

Lens

Iris Type	Fixed
Lens Type	Fixed
Focal Length	2.8 mm
Maximum Aperture	F1.0
Field of View	Horizontal: 110° Vertical: 59° Diagonal: 131°
Close Focus Range	2.8 m (9.2 ft)
DORI Distance	Detect: 84.0 m (275.6 ft) Observe: 33.6 m (110.2 ft) Recognize: 16.8 m (55.1 ft) Identify: 8.4 m (27.6 ft)

Video

Compression	Smart Encoding H.265+, H.265, Smart Encoding H.264+, H.264, MJPEG (Sub Stream Only)
Stream Capability	Two (2) Streams
Resolution	8MP (3840 x 2160), 6MP (3072 x 2048), 5MP (3072 x 1728), 5MP (2880 x 1620), 4MP (2688 x 1520), 3MP (2048 x 1536), 3MP(2304 x 1296), 1080p (1920 x 1080), 1.3MP (1280 x 960), 720p (1280 x 720), D1 (704 x 480), VGA (640 x 480), CIF (352 x 288), CIF (352 x 240)
Maximum Frame Rate	Main Stream: 8MP at 20 fps Sub Stream 1: D1 at 20 fps
Video Bit Rate	H.264: 32 kbps to 8,192 kbps H.265: 12 kbps to 8,192 kbps
Bit Rate Control	CBR/VBR
Day/Night	Automatic (ICR), Color, Black and White
Light Balancing	Wide Dynamic Range (120 dB)
Noise Reduction	3D NR
Image Angle	0°/90°/180°/270° (Supports 90°/270° with 4MP Resolution and Lower)
Mirror Image	Supported
Region of Interest (ROI)	Four (4) Zones
Privacy Masking	Four (4) Zones

Analytics

Video Content Analytics	Line Crossing, Intrusion
Intelligent Motion Detection	Supported With Alarms for Vehicles and Humans

Audio

Compression	PCM, G.711a, G.711Mu
Sampling Rates	PCM: 8,000 Hz, 16,000 Hz G.711A: 8,000 Hz G.711Mu: 8,000 Hz
Interface	Input: Built-In Microphone

Alarm

Event	Line Crossing, Intrusion, Motion Detection, iMD, Audio Detection, Video Tampering, Disk Full, Disk Error, Offline, IP Conflict, Voltage Detection, Security Warning, No SD Card, Insufficient SD Card Space, and SD Card Error
-------	--

Network

Interface	RJ-45 (10/100 Base-T)
Protocol	IPv4, IPv6, DNS, TCP, UDP, DHCP, HTTP, HTTPS, 802.1X, RTSP, DDNS, P2P, SMTP, RTMP, PPPoE, UPnP, SNMP, Bonjour, QoS, Auto Registration, ICMP, IGMP, FTP, SFTP, RTP, RTCP, ARP, NTP, Multicast, NFS
Interoperability	ONVIF (Profile S/G/T), CGI
Browser	Chrome, Firefox, Edge
Client	LumiViewer, LumiViewer Mobile App
Storage	FTP, SFTP, NAS, Micro SD Card (Max. 256 GB)

Electrical

Power Supply	12 VDC/PoE (802.3af)
Power Consumption	12 VDC <ul style="list-style-type: none">• Maximum: 5.6 W• Normal: 2.4 W PoE <ul style="list-style-type: none">• Maximum: 6.4 W• Normal: 3.0 W

Construction

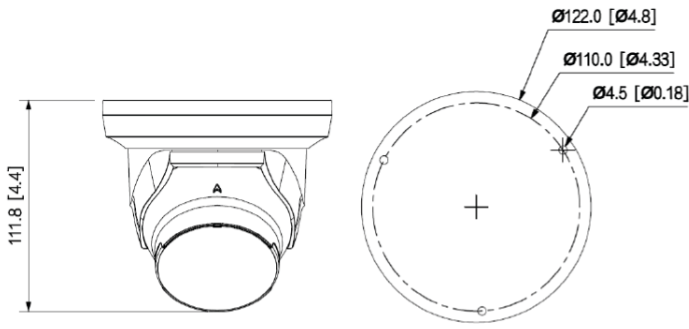
Net Weight	0.5 kg (1.2 lb)
Gross Weight	0.7 kg (1.6 lb)
Operating Temperature	-40 to 60 °C (-40 to 140 °F) < 95% RH (Non-Condensing)
Storage Temperature	-40 to 60 °C (-40 to 140 °F)
Protection Ratings	IP67
Product Dimensions	Φ122.0 mm x 111.8 mm (Φ4.8 in. x 4.4 in.)
Material	Metal

Certifications and Compliance

Certifications	FCC, IC
Compliance	NDA

Dimensional Drawing

mm [in.]



Compatible Accessories

Below are the compatible accessories for this product. Not all accessories are included with purchase; some must be purchased separately. For each mount type, all listed SKUs are required to ensure proper installation.

Cross-check the accessories in this datasheet with the Luminy's accessory selector tool, and verify that the mount size corresponds to the camera size. Failure to check may result in an incorrect or incomplete mount.

Accessory Combination	SKU(s)	Description
Junction Box	LUM-J02 OR LUM-CJ11 <i>(Must be Purchased Separately)</i>	Junction Box for Select Standard Size Dome and Mini Turret Camera Models OR Waterproof Junction Box for Select Standard Size Dome and Mini Turret Camera Models
Wall Mount	LUM-W01 <i>(Must be Purchased Separately)</i>	Wall Mount Bracket for Select N5D Dome and N5T/N3T Turret Cameras
Horizontal Pole Mount (Option 1)*	LUM-W01 <i>(Must be Purchased Separately)</i>	Wall Mount Bracket for Select N5D Dome and N5T/N3T Turret Cameras
	LUM-P02 <i>(Must be Purchased Separately)</i>	Pole Mount Bracket for Select N3 and N5 Series Cameras
Horizontal Pole Mount (Option 2)*	LUM-A01 <i>(Must be Purchased Separately)</i>	Adapter Plate for Select Dome and Turret Cameras
	LUM-W02 <i>(Must be Purchased Separately)</i>	Wall Mount Bracket for Select N5D, N5T, N3T, P45, P54, and P55 Cameras
	LUM-P01 <i>(Must be Purchased Separately)</i>	Pole Mount Bracket for Select N3 and N5 Series Cameras
Vertical Pole Mount*	LUM-A01 <i>(Must be Purchased Separately)</i>	Junction Box for Standard Size Turret Camera Models
	LUM-E01 <i>(Must be Purchased Separately)</i>	Ceiling Mount Bracket for Standard Dome, Dome Wedge, and Mini Turret Cameras
	LUM-P01 <i>(Must be Purchased Separately)</i>	Pole Mount Bracket for Select N3 and N5 Series Cameras
Pendant Mount*	LUM-A01 <i>(Must be Purchased Separately)</i>	Adapter Plate for Select Dome and Turret Cameras
	LUM-E01 <i>(Must be Purchased Separately)</i>	Ceiling Mount Bracket for Standard Dome, Dome Wedge, and Mini Turret Cameras
Corner Mount*	LUM-A01 <i>(Must be Purchased Separately)</i>	Adapter Plate for Select Dome and Turret Cameras
	LUM-W02 <i>(Must be Purchased Separately)</i>	Wall Mount Bracket for Select N5D, N5T, N3T, P45, P54, and P55 Cameras
	LUM-C01 <i>(Must be Purchased Separately)</i>	Corner Mount Bracket for N3/N5/N9/P4/P Series Cameras

*All SKUs listed must be used to complete the mounting combination. Verify the compatibility of the listed mounting components prior to ordering. Failure to use all SKUs listed and ensure compatibility may result in an incorrect or incomplete mount.