

Lumaris Tunable White Recessed Downlight Family

The Lumaris downlight family makes it easy to bring the familiar feelings of daylight and incandescent light to new or existing spaces. A unique combination of warm-dim and tunable white in one, Lumaris downlights deliver a more natural-feeling electric light and intuitive end-user control.

Lumaris downlights are available in multiple installation options to suit unique project requirements, combining superior lighting quality with flexible design choices.

Features

Lighting System

- Works seamlessly with HomeWorks QSX and RadioRA 3 systems
- Independent control of intensity and color temperature
- Warm dimming to mimic the dimming curve of an incandescent lamp
- Programming presets can automatically change color temperature based on the time of day
- Manual adjustments via the Lutron app or integration

Downlight

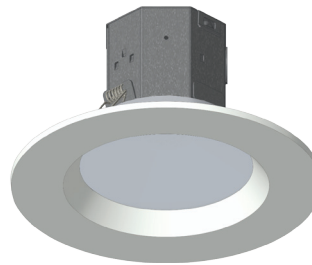
- 1800 K - 4000 K CCT range, matching all Lumaris family products
- 2-channel, continuous, flicker-free dimming from 100% down to 0.1% of measured light output¹
- Output: 800 lumens
- CRI: 90+ throughout the tunable white range
- 50,000 hours rated lifetime (L70)



4 in (101.6 mm)
Canless Downlight



4 in (101.6 mm)
Retrofit Downlight



6 in (152.4 mm)
Canless Downlight



5 in (127 mm) /
6 in (152.4 mm)
Retrofit Downlight

- Uses Clear Connect – Type X wireless communication
- 0.5 in (12.7 mm) regress and diffusive white lens to reduce unwanted glare
- Permanently affixed white or black plastic trim options available
- Retrofit or canless options available

Model Number		Description
HomeWorks QSX	RadioRA 3	
HWL-RD4WH-TW	RRL-RD4WH-TW	4 in (101.6 mm) retrofit recessed downlight with white trim
HWL-RD4BL-TW	RRL-RD4BL-TW	4 in (101.6 mm) retrofit recessed downlight with black trim
HWL-RD6WH-TW	RRL-RD6WH-TW	5 in (127 mm)/6 in (152.4 mm) retrofit recessed downlight with white trim
HWL-RD6BL-TW	RRL-RD6BL-TW	5 in (127 mm)/6 in (152.4 mm) retrofit recessed downlight with black trim
HWL-CD4WH-TW	RRL-CD4WH-TW	4 in (101.6 mm) canless recessed downlight with white trim
HWL-CD4BL-TW	RRL-CD4BL-TW	4 in (101.6 mm) canless recessed downlight with black trim
HWL-CD6WH-TW	RRL-CD6WH-TW	6 in (152.4 mm) canless recessed downlight with white trim
HWL-CD6BL-TW	RRL-CD6BL-TW	6 in (152.4 mm) canless recessed downlight with black trim

¹ Tunable white performance is maintained from 100% to 1%.

Lumaris Tunable White Recessed Downlight Family

Specifications

Electrical

- 120 V~ 60 Hz
- 0.07 A
- 8.5 W
- 40 downlights maximum per 15 A breaker

Regulatory Approvals

- cULus listed
- FCC approved. Complies with the limits for a Class B digital device, pursuant to Part 15 of the FCC Rules
- Industry Canada certified
- California Title 24 as detailed in Reference Joint Appendix JA8 for High Luminous Efficacy Light Sources

Environmental

- Ambient operating temperature:
32 °F to 104°F (0 °C to 40 °C)
- Relative humidity: 0% – 90% non-condensing
- Suitable for dry or damp locations
- Suitable for wet locations. Covered ceiling only
- Type IC rated and inherently protected (canless versions)
- Suitable for Type IC and Non-IC luminaires (retrofit versions)

Warranty

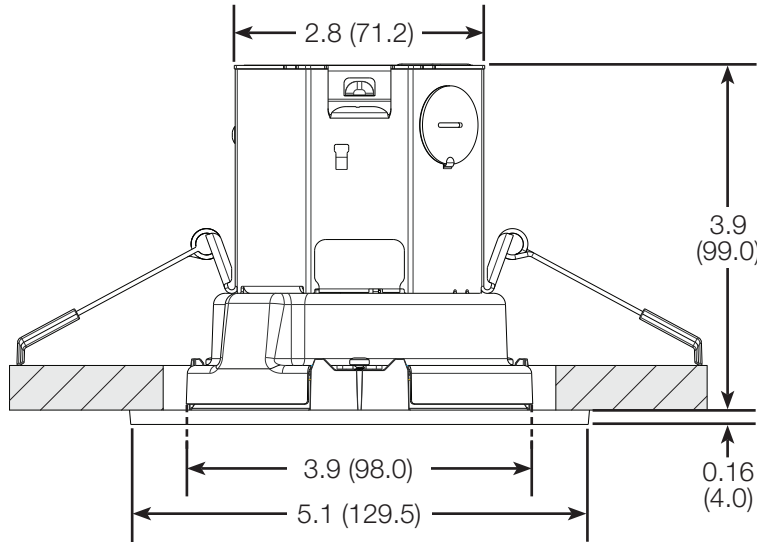
- Limited Warranty: www.lutron.com/warranty or call 1.844.LUTRON1 for a printed copy

Lumaris Tunable White Recessed Downlight Family

Dimensions: Canless Downlight

All dimensions shown as: in (mm)

4 in (101.6 mm) Canless Downlight

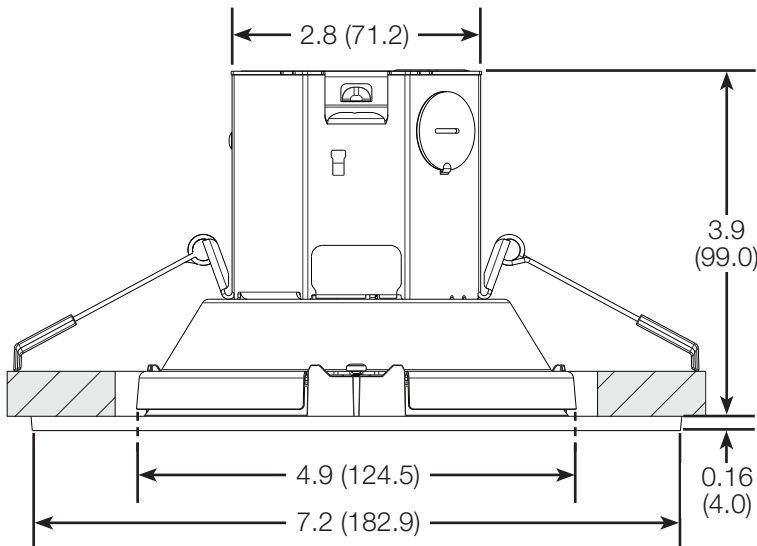


Required hole dimension:
4.25 in to 4.5 in (107.9 mm to 114.3 mm)
Acceptable ceiling thickness:
0.5 in to 1.25 in (12.7 mm to 31.7 mm)

Junction box volume: 7.5 in³ (122.9 cm³)
Junction box wire capacity:

Wire	AWG (mm ²)	Quantity
12/2 with ground	12 (4)	2
14/2 with ground	14 (2.5)	2
14/3 with ground	14 (2.5)	2

6 in (152.4 mm) Canless Downlight



Required hole dimension:
5.25 in to 5.5 in (133.3 mm to 139.7 mm)
Acceptable ceiling thickness:
0.5 in to 1.25 in (12.7 mm to 31.7 mm)

Junction box volume: 7.5 in³ (122.9 cm³)
Junction box wire capacity:

Wire	AWG (mm ²)	Quantity
12/2 with ground	12 (4)	2
14/2 with ground	14 (2.5)	2
14/3 with ground	14 (2.5)	2