



Advance Xitanium outdoor LED drivers with SimpleSet technology are designed to give OEMs ultimate flexibility. With the drivers' wide operating windows and simple programming, luminaire manufacturers can design luminaires of different sizes and lumen levels for outdoor applications.

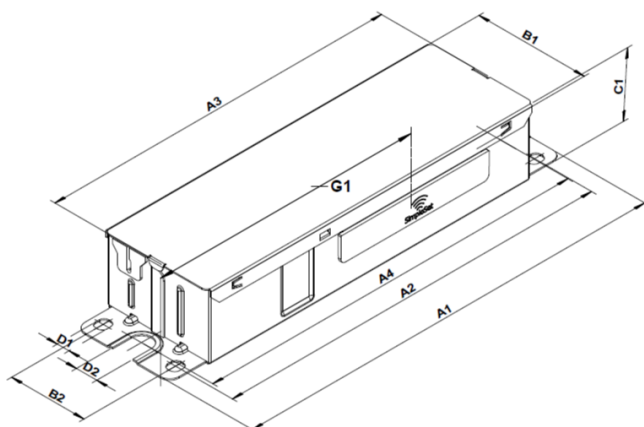
Specifications

Input Voltage (Vac)	Output Power (W)	Output Voltage (V)	Output Current (A)	Efficiency @ Max Load	Max Case Temp. (°C) Life/UL	Input Current (A)	Input Power (W)	THD @ Max Load (%)	Power Factor @ Max Load	Surge Protect (Combi Wave, KV)	Dimming Range (%)	Min Dimming Current (mA)	Drive Type	
120	55	18-54	0.1-1.8	88.0	85 / 90	0.53	64	<10	>0.95	6	0-10V	1-100	7	CC
277				89.0		0.23	64	<15	>0.95					

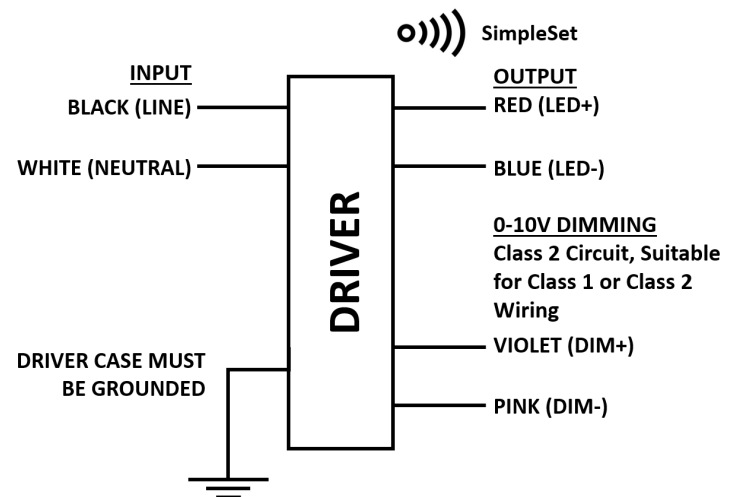
Enclosure

Item	In(mm)	Tolerance (mm)
Overall length (A1)	6.61(168)	+/-0.5
Mounting Length (A2)	6.06(153.8)	+/-0.5
Case Length (A3)	5.5(139.8)	+/-0.5
Case Width (B1)	1.78(45.1)	+/-0.5
Mounting Width (B2)	1.22(31)	+/-0.5
Case Height (C1)	1.11(28.2)	+/-1
Mounting Hole Diameter (D1)	0.2(5)	+/-0.3
Mounting Hole Diameter (D2)	0.35(8.8)	+/-0.3
Center of SimpleSet antenna (G1)	4(101.5)	+/-3

Mechanical Diagram



Wiring Diagram



- Wire Length: 270 mm with 30 mm tolerance.
- Install in accordance with national and local electrical codes.
- The field-wiring leads or push-in terminals shall be fully enclosed.

XI055C180V054BSJ2

Features

- 50,000+ hour lifetime
- Programmable output current through SimpleSet
- 6kV combi-wave surge rating to comply with ANSI C82.77-5 CAT C low
- Configurable Driver Thermal Limit (DTL)

Benefits

- Enables long life luminaire designs
- Fast and simple way of programming
- Enables fixture designs with wide variety of loads and current
- No external surge protection required to pass C82.77-5 CAT C low

Application

- Area
- Roadway
- Parking garages
- Floodlights
- High-bay, Mid-bay, Low-bay fixtures

Logistical data

Specification item	Value
Product name	XI055C180V054BSJ2
EOC	XI055C180V054BSJ2
Logistic code 12NC	9290 027 66013
Product code	XI055C180V054BSJ2M
Pieces per box	12
Weight	404 gram

All the specifications are typical and at $T_{\text{ambient}} = 25^{\circ}\text{C}$ unless specified otherwise

Electrical input data

Specification item	Value	Value	Unit	Condition
Rated input voltage range	108...305		V _{ac}	Performance range
Rated input voltage	120	277	V _{ac}	
Rated input frequency	50...60	50...60	Hz	Performance range
Rated input current	0.53	0.23	A	@ rated output power @ rated input voltage
Rated input power	64.0	64.0	W	@ rated output power @ rated input voltage
Efficiency	88.0	89.0	%	@ rated output power @ rated input voltage
Rated input voltage DC	125...250		V _{dc}	Performance range

Electrical output data

Specification item	Value	Unit	Condition
Output voltage	18...54	V _{dc}	Class 2 Output
Output voltage max.	60	V	Open Circuit Voltage
Output current	100...1800	mA	
Output current min programmable	100	mA	
Min output current	7	mA	
Output current tolerance \pm	5	%	within performance window
Output current ripple LF	≤ 15	%	@ max lout
Output current ripple HF	≤ 4	%	@ frequency range 60Hz-3KHz
Output power	0.1...55.0	W	
Minimum performance output power	18	W	Power factor > 0.9 and THD < 20%

XI055C180V054BSJ2

Control interfaces

Specification item	Value	Unit	Condition
Control method	0-10V		
Dimming range	1...100	%	Default range
Dimming Source Current	0.15	mA	
Maximum Dimming Voltage	12	V	
Dimming Leakage Current	0.01	mA	Max number of driver in parallel, refer to Design-in Guide

Isolation

U = Max. input voltage

Isolation per UL-8750	Input	Output	0-10V	Enclosure
Input	-	2U + 1kVac	2U + 1kVac	2U + 1kVac
Output	2U + 1kVac	-	2U + 1kVac	500Vac
0-10V	2U + 1kVac	2U + 1kVac	-	2U + 1kVac
Enclosure	2U + 1kVac	500Vac	2U + 1kVac	-

Operational temperatures and humidity

Specification item	Value	Unit	Condition
Ambient temperature	-40...+55	°C	Higher ambient temperature allowed as long as T _{case-max} is not exceeded
T _{case-UL}	90	°C	Max. temperature measured at T _{case-point}
T _{case-life}	85	°C	C10 = 50000 hours measured at T _c -point

Lifetime

Specification item	Value	Unit	Condition
Driver lifetime	50,000	hours	Measured temperature at T _{case-point} is T _{case-life} . Maximum failures = 10%