

# HWB-DIM-CDC-24V-30W

30W 5-in-1 Dimmable Electronic LED Hardwire Box, 24V  
Cove, Under Cabinet & Millwork

Job Information		
Project Name		Type
Location		
Quantity		Date
Contact/Phone		
Notes		

## Features

### Construction

Black painted aluminum enclosure with mounting tabs. IP20 rated for indoor use. Six 7/8" knockouts to enable easy installation that complies with electrical code requirements.

### AC Input Details

- Voltage range: 100-277V
- Current: 0.5A
- Frequency range: 47 - 63 Hz
- No load power consumption: <5W
- Leakage current: <0.5mA

### DC Output Details

- Voltage: 24V
- Current: 1.25A
- Working efficiency: 83%

### Environmental Requirements

-40°C~60°C (-40°F~140°F)

### Circuit Protection

Open and short circuit protection. Auto-reset functionality automatically reset once the condition is resolved. Auto-recover over load protection.

Over temperature protection with auto recovery after cooling.

### Dimming

Compatible with forward and reverse phase, ELV, TRIAC and 0-10V dimmers. See page 2 for compatible dimmers. Dimming function can be switched between PWM or Voltage Reduction

### Connectivity

18AWG input/output leads. Input side equipped with push-in connectors, while output side is equipped with bloc connector.

### Compatibility

Compatible with all 24 volt LED lighting fixtures.

### Approvals

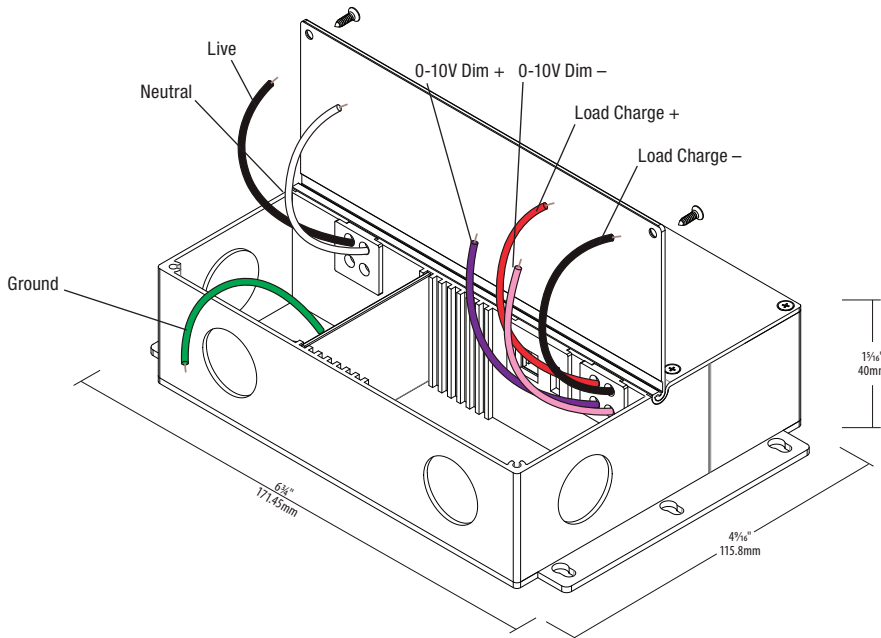
- Class 2
- cULus Listed
- RoHS

SPECIFICATIONS	
Application	Undercabinet
Approved Location	Wet
Certification	cULus
Classification	Class II
Color	BK
Dimming	Yes
Dimming Tech.	Forward/reverse phase / ELV / TRIAC / 0-10V
Frequency	47 - 63 Hz
Input Current	0.5A
Link Connector	Hard Wire
Max. Op. Temp. °C	60°C (140°F)
Min. Start Temp. °C	-40°C (-40°F)
Output Current	1.25A
Power Factor	0.99@120VAC 0.95@277VAC
Power Supply Type	Constant Voltage
Primary Voltage	100-277V AC
Secondary Voltage	24V DC
Warranty	5 Years
Wattage	30W



## Description

The CDC driver is a full solution supporting forward & reverse phase dimming, ELV, TRIAC as well as 0-10V dimming types. The CDC driver is a 24V dimmable electronic LED hardwire box with 30W, 60W and 96W options for maintaining constant voltage.



**Notes:** Accessories should be ordered separately. For additional options please consult your Liteline representative. Due to our continued efforts to improve our products, product specifications are subject to change without notice.

## Ordering Guide



**HWB-DIM-CDC-24V-30W**  
30W dimmable class 2 power supply, 24V.

Liteline Corporation  
Copyright © 2025  
All rights reserved.

Telephone  
416.996.1856  
1.866.730.7704

Fax  
905.709.5255  
1.888.738.9736

[LITELINE.COM](http://LITELINE.COM)

## Electronic Voltage Drop

### Light Loss Factor

Wire Gauge	Distance from driver									
	8'	10'	25'	35'	50'	75'	100'	125'	150'	
18	1.00	0.90	0.80	0.75	0.70	0.65	0.40	0.20	0.10	
14	1.00	1.00	1.00	0.90	0.80	0.75	0.70	0.65	0.60	
12	1.00	1.00	1.00	1.00	0.90	0.80	0.80	0.70	0.65	

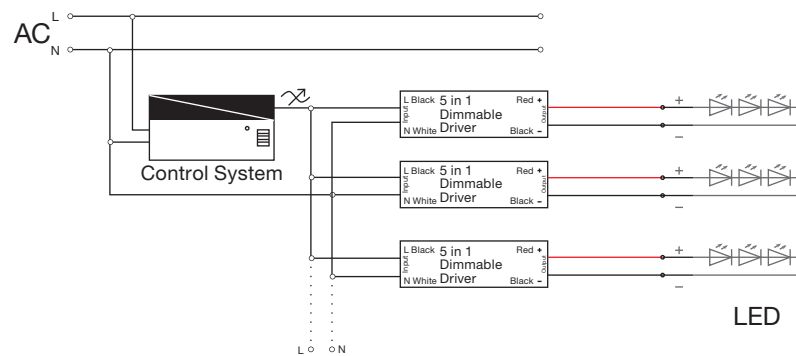
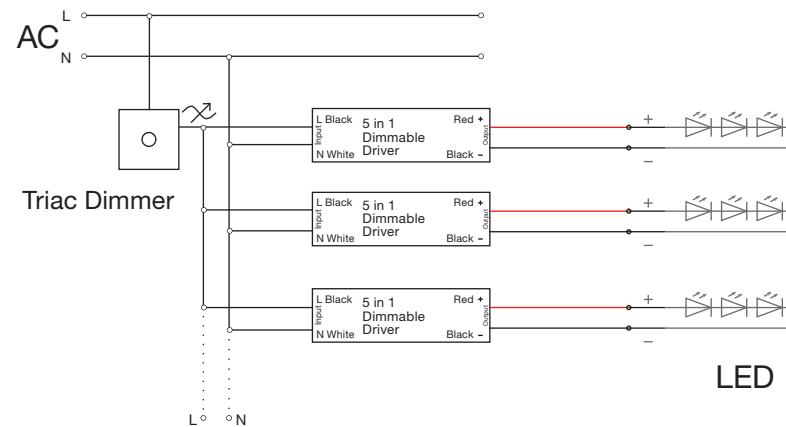
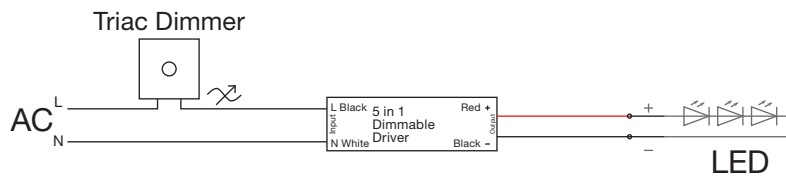
### Maximum Loading

Wire Gauge	Distance from driver									
	8'	10'	25'	35'	50'	75'	100'	125'	150'	
18	80%	67%	30%	18%	15%	10%	8%	5%	4%	
14	80%	80%	80%	52%	34%	23%	18%	15%	11%	
12	80%	80%	80%	80%	56%	37%	26%	22%	18%	

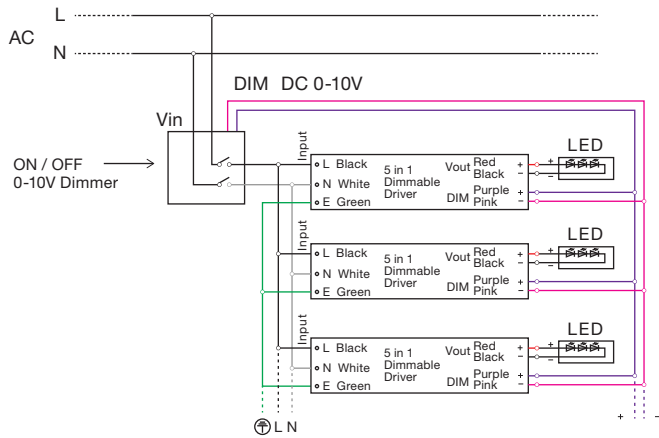
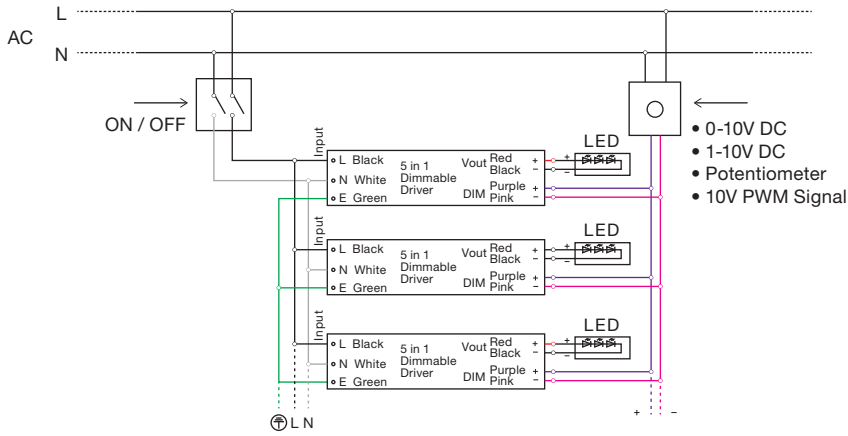
### Key Features

- Can be mounted remotely up to 150'
- No flicker
- No inrush issues
- Maximum recommended load 80%

## Wiring Diagrams for Triac Dimmers



## Wiring Diagrams for 0-10V Dimmers

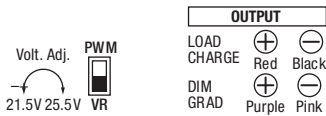


### Output Voltage Adjustment

- Default 24V
- For longer runs, adjust the output voltage higher to reduce voltage drop.

### Dimming Switch

- Use PWM as default
- Use VR for Fossil



**Notes:** For Fossil dimming, set the internal dimming dip switch to VR