

| |
|----------------|
| Catalog Number |
| Notes |
| Type |

FEATURES & SPECIFICATIONS

INTENDED USE — The Lithonia Lighting JCBL LED Highbay is the affordable LED solution for users who prefer a luminaire with the look and feel of a round form factor. The JCBL is highly configurable and delivers comfortable and uniform lighting from mounting heights up to 30ft. Gymsnasiums, warehouses, packaging facilities and other industrial applications all benefit from JCBL's highly efficient design that saves over traditional sources. **Certain airborne contaminants can diminish the integrity of acrylic and/or polycarbonate.** [Click here for Acrylic-Polycarbonate Compatibility table for suitable uses.](#)

Certain airborne contaminants may adversely affect the functioning of LEDs and other electronic components, depending on various factors such as concentrations of the contaminants, ventilation, and temperature at the end-user location. [Click here for a list of substances that may not be suitable for interaction with LEDs and other electronic components.](#)

CONSTRUCTION — JCBL features an aluminum heat sink to maximize heat dissipation and extend the life of the luminaire by maximizing contact with the LEDs. A glass optical enclosure (IP65 rated) protects the LEDs from dust and other air contaminants. Reflector options including aluminum, prismatic acrylic and polycarbonate ship together and easily mount to the heatsink for quick installation.

OPTICS — Reflector and lens options provide maximum versatility and uniformity. Conical, flat or acrylic drop lenses offer enhanced aesthetics, minimize glare at lower mounting heights when paired with acrylic reflectors.

ELECTRICAL — Utilizes 90°C case temperature for maximum life at high temperatures. Less than 20% THD and PF >90. Luminaire Surge Protection Level: Designed to withstand up to 6kV/3kA per ANSI C82.77-5-2015 with MVOLT. Luminaire Surge Protection Level: Designed to withstand up to 10kV/5kA per ANSI C82.77-5-2015 with HVOLT. Input voltages include 120-277, 347/480 without the use of a step down transformer. 0-10V dimming standard for a dimming range of 100% to 10%. Suitable for 50/60Hz.

WIRELESS NETWORKING — XPoint™ Wireless technology creates a mesh network to ensure communication between fixtures, sensors and wall stations facility-wide. This option provides superior lighting management capabilities including granular control, configuration and custom grouping for increased energy savings.

Integrated Sensor (nLight Wired Networking): This sensor is nLight-enabled, meaning it has the ability to communicate over an nLight network. When wired, using CAT-5 cabling, with other nLight-enabled sensors, power packs, or WallPods, an nLight control zone is created. Once linked to a Gateway, directly or via a Bridge, the zone becomes capable of remote status monitoring and control via SensorView software.

Integrated Smart Sensor (nLight AIR Wireless Platform): The rSBOR sensor is nLight AIR enabled, meaning it has the ability to communicate over the wireless nLight control platform. It is available with an automatic dimming photocell, and either a digital PIR or dual technology occupancy sensor. It pairs to other luminaires and wall switches through our mobile app, CLAIRITY PRO, which allows for simple sensor adjustment.

INSTALLATION — Mounting options include steel hook & cord or 3/4" NPT threaded hub to accommodate stem or cast hook options.

LISTINGS — UL1598/C SA C22 .2 250, Damp Location listed. Suitable for use in ambient temperatures from -40°C up to 55°C.

DesignLights Consortium® (DLC) qualified product. Not all versions of this product may be DLC qualified. Please check the DLC Qualified Products List at www.designlights.org/QPL to confirm which versions are qualified.

WARRANTY — 5-year limited warranty. Complete warranty terms located at: www.acuitybrands.com/CustomerResources/Terms_and_conditions.aspx

Note: Actual performance may differ as a result of end-user environment and application.

All values are design or typical values, measured under laboratory conditions at 25 °C.

Specifications subject to change without notice.



LED Damp Rated High Bay

JCBL

9000, 12000, 15000, 18000,
24000, 30000 or 36000 lumens



A+ Capable Luminaire

This item is an A+ capable luminaire, which has been designed and tested to provide consistent color appearance and out-of-the-box control compatibility with simple commissioning.

- All configurations of this luminaire meet the Acuity Brands' specification for chromatic consistency
- This luminaire is part of an A+ Certified solution for nLight® or XPoint™ Wireless control networks marked by a **shaded background***

To learn more about A+, visit www.acuitybrands.com/aplus.

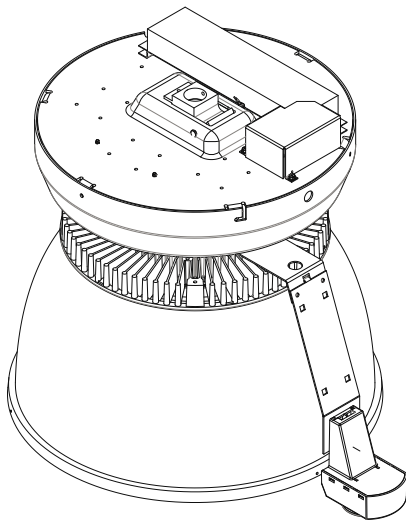
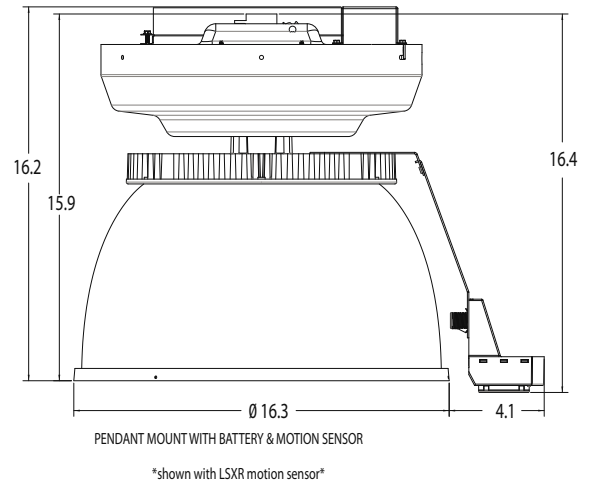
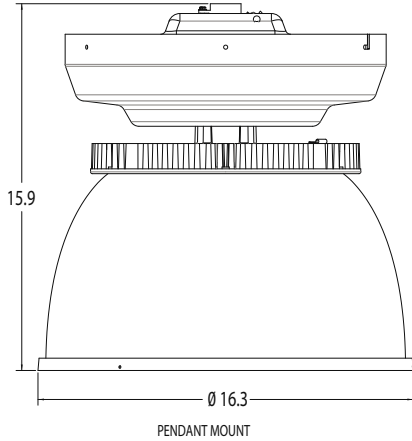
*See ordering tree for details

DIMENSIONS

All dimensions are in inches (centimeters) unless otherwise indicated.
Dimensions may vary with options or accessories.

Typical weight:

A cartoned luminaire weighs 23 lbs.;
unboxed it weighs 16 lbs.



*shown with optional cast hook

JCBL LED Damp Rated High Bay



A+ Capable options indicated by this color background.

ORDERING INFORMATION

Lead times will vary depending on options selected. Consult with your sales representative. **Example:** JCBL 24000LM DALR MVOLT GZ10 40K 80CRI SC6 DWHXD

| JCBL | | | | | | | GZ10 | | | | | | | | | |
|--------|---------|---------------|------------------------|---------------------|---|----------------|---------|----------|--------|---------------|-------------------|--------|-----------------------|--------|-------------------------|---|
| Series | Lumens | | Reflector ¹ | | Lens ^{1,2} | | Voltage | | Driver | | Color temperature | | Color rendering index | | Mounting Configurations | |
| JCBL | 9000LM | 9,000 lumens | DALR | Diffuse aluminum | (blank) | Open bottom | MVOLT | 120-277V | GZ10 | 0-10V dimming | 30K | 3000 K | 70CRI | 70 CRI | PM | Pendant mount |
| | 12000LM | 12,000 lumens | SALR | Specular aluminum | For use with aluminum reflectors | | HVOLT | 347/480V | | | 35K | 3500 K | 80CRI | 80 CRI | SC6 | Steel hook & 6' cord |
| | 15000LM | 15,000 lumens | ACFR | Frosted acrylic | ALDRP | Drop prismatic | 120 | 120V | | | 40K | 4000 K | 90CRI | 90 CRI | SC6P | 6' cord with male steel hook and NEMA twist lock plug (not available with battery packs) ^{3,4} |
| | 18000LM | 18,000 lumens | ACCR | Clear acrylic | ALCON | Conical | 208 | 208V | | | 50K | 5000 K | | | | |
| | 24000LM | 24,000 lumens | PLCR | Clear polycarbonate | ALFGL | Flat prismatic | 240 | 240V | | | | | | | | |
| | 30000LM | 30,000 lumens | | | For use with acrylic and polycarbonate reflectors | | 277 | 277V | | | | | | | | |
| | 36000LM | 36,000 lumens | | | ACRDRP | Drop prismatic | 347 | 347V | | | | | | | SC6PN | Steel hook with 6' straight blade cordset ^{3,5} |
| | | | | | ACRCON | Conical | 480 | 480V | | | | | | | | |
| | | | | | ACRFGL | Flat prismatic | | | | | | | | | | |

| Options | | | | | | | | | | | | Super Durable Finishes | |
|---------------|--|--|---------|--|----------|---|---|-------|------------------|---------------------------|--|------------------------|--|
| C6W | 6' cord, white | | E10WCP | EM Self-diagnostics battery pack, 10W, Constant Power CEC compliant ^{3,7} | | NPP16D | nLight® switching/dimming module ^{3,11} | | DWHXD | White | | | |
| C12W | 12' cord, white | | | | NPP16DER | nLight® switching/dimming module with emergency relay ^{3,11} | | DNAXD | Natural aluminum | | | | |
| C6WPN | 6' cord, white with straight blade plug (not available with battery packs) ^{3,5} | | BGTD | Generator transfer device (120 or 277 only) ⁴ | | MSI6XADL DSCXADL | 360° XPoint™ wireless motion sensor with photocell ^{3,12} | | DWHGXD | Textured white | | | |
| HC6W | 6' cord, white with male cast hook, no plug (only available with pendant mount) | | HK455 | Safety hook, male, cast aluminum, factory installed ⁸ | | MSI10XADL DSCXADL | 60° XPoint™ wireless motion sensor with photocell ^{3,12} | | DNATXD | Textured natural aluminum | | | |
| HC6WP | 6' cord, white with male cast hook and NEMA twist lock plug (not available with battery packs) ^{3,4} | | WG | Wire guard for open bottom reflectors (ships separately) | | NLTAIR2 RKOA | nLight AIR Generation 2 enabled 360° high mount motion sensor | | | | | | |
| HC6WPN | 6' cord, white with male cast hook and straight blade cord (not available with battery packs) ^{3,4,5} | | FWG | Full wire guard (ships separately) | | NLTAIR2 RKO B | nLight AIR Generation 2 enabled 360° low mount motion sensor | | | | | | |
| HC6WPN20 | 6' cord, white with male cast hook and 20 amp plug (not available with battery packs) ³ | | LCOZU | Aisle motion sensor, pre-wired ^{3,9} | | NLTAIR2 rPP20D | nLight AIR Generation 2 dimming and switching module ¹³ | | | | | | |
| CS6G16WSTOW5D | 6' white cord, 16/5, no plug, includes low voltage dimming wires | | LCHOSZU | Aisle motion sensor, pre-wired; programmable dimming ^{3,9} | | NLTAIR2 rPP20DER | nLight AIR Generation 2 dimming and switching module with emergency relay (not available with battery pack or BGTD) ¹³ | | | | | | |
| HOCS | Hook, 5' RELOC® OCS ^{4,5} (only available with pendant mount) | | LCPZU | Aisle motion sensor with photocell; pre-wired ^{3,9} | | XAD | Integral factory installed XPoint™ wireless 0-10V dimming relay ^{3,12} | | | | | | |
| OCS | 5' RELOC® OCS ^{4,6} | | LAOZU | 360° motion sensor, pre-wired ^{3,9} | | XAD924 | Integral factory installed XPoint™ wireless, 0-10V dimming with Emergency relay ^{3,12} | | | | | | |
| USPOM | Assembled in the USA | | LAHOSZU | 360° motion sensor, pre-wired; programmable dimming ^{3,9} | | LSXBTP | 360° Low Mount Occ Sensor, pre-wired; Bluetooth® | | | | | | |
| | | | LAPZU | 360° motion sensor with photocell, pre-wired ^{3,9} | | LSXBTPHL | 360° Low Mount Occ Sensor w/HL Default, pre-wired; Bluetooth® | | | | | | |
| | | | AO | Adjustable output ¹⁰ | | LSXBTPADC | 360° Low Mount Occ Sensor w/ADC Default, pre-wired; Bluetooth® | | | | | | |
| | | | | | | LSXBTPANL | 360° Low Mount Occ Sensor w/ANL Default, pre-wired; Bluetooth® | | | | | | |

| Accessories: Order as separate catalog number. | | | |
|--|----------------------------------|-----------|---|
| HK455 | Safety hook, male, cast aluminum | JCBLSPM12 | Swivel stem kit, 12", silver finish |
| JCBLHKF | Hook, female | JCBLSPM24 | Swivel stem kit, 24", silver finish |
| JCBLSC120 | Safety cable 120" | JCBLSPM36 | Swivel stem kit, 36", silver finish |
| JCBLSC240 | Safety cable 240" | WGJCBL | Wire guard for use with open bottom reflectors |
| | | FWGJCBL | Full wire guard |
| | | PS1055CP | FMC Emergency battery pack, 15W, CEC compliant, for remote mount only |

Notes

- To order separately add U to the end of the nomenclature. EX: DALR U
- For use in ambient temperatures up to 40°C.
- Must specify voltage.
- 120-277V utilizes a 15-amp plug, 347-480 utilizes a 20-amp plug (standard).
- Not available with 480V.
- When reloc is selected fixture bears a dry location label.
- Available 120-277 only.
- Must have PM option.
- Not available with XAD or XAD924.
- Not available with any other controls options.
- Available with 120-347V only.
- Not available with 30,000LM at 347V or 480V.
- Utilize step down transformer when ordered with 347 or 480V.
- Daylight harvesting functionality not enabled by default. Utilizes XPA CMRB6.