

## CONCEPT EMC, TYPE 4X



### INDUSTRY STANDARDS

Mounting brackets required to meet UL/CSA external mounting requirements.

UL 508A Listed; Type 4, 4X, 12; File No. E61997  
 cUL Listed per CSA C22.2 No 94; Type 4, 4X, 12; File No. E61997

NEMA/EEMAC Type 4, 4X, 12, 13  
 CSA File No. 42186: Type 4, 4X, 12  
 VDE IP66  
 IEC 60529, IP66

### APPLICATION

Use stylish CONCEPT EMC Enclosures with their convenient quarter-turn latches in corrosive indoor or outdoor applications to contain stray electromagnetic interference (EMI) signals produced by internal components and to shield those components from external EMI/RFI interference.

### SPECIFICATIONS

- Manufactured from 18, 16 and 14 gauge Type 304 stainless steel
- Seams continuously welded and ground smooth
- Minimum-width body flange provides maximum body opening
- External formed 90-degree body flange
- Panel mounting studs fit optional CONCEPT panels and other accessories
- Mounting holes in back of body for direct mounting or for optional external mounting brackets
- Stainless steel hidden hinges
- Easy-to-remove clip-style hinge pins
- Removable corner formed door
- Seamless foam-in-place gasket adjacent to spring finger EMC gasket
- Quarter-turn latches with flush slotted insert
- Self-grounding latch system with double seal
- Integral body grounding stud
- Furnished hardware kit includes panel mounting nuts, grounding hardware and sealing washers for wall-mounting holes
- Installation instructions

### FINISH

Cover and body have smooth brushed #4 finish.

### ACCESSORIES

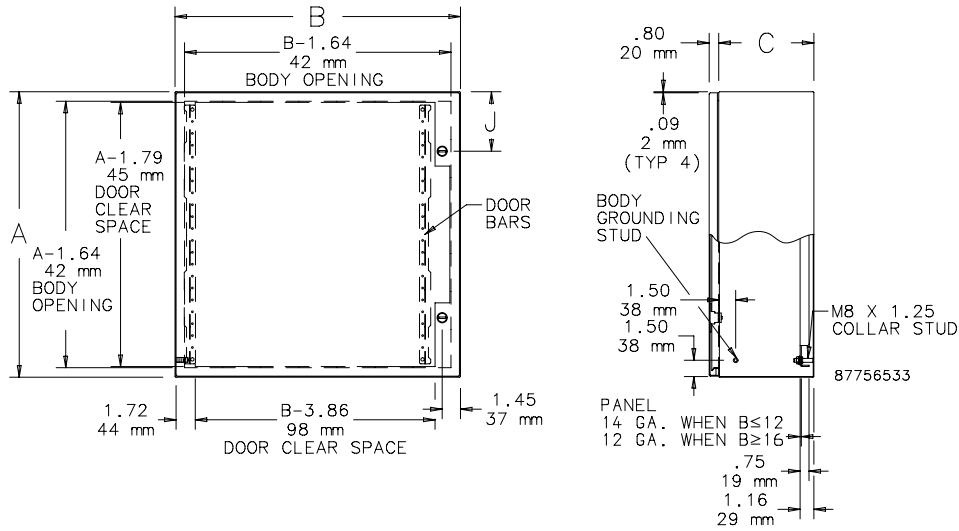
Industrial Corrosion Inhibitors  
 CONCEPT Panels  
 Handles  
 Lock Inserts

**BULLETIN: CWSEM**

### Standard Product

Catalog Number	AxBxC in./mm	Door Gauge	Body Gauge	Panel	Conductive Panel	Panel Size D x E in./mm	Mounting G x H in./mm	Latches Qty.	J in./mm
CSD12126EMCSS	12.00 x 12.00 x 6.00	16	18	CP1212	CP1212G	10.20 x 10.20	10.50 x 10.50	1	6.00
	305 x 305 x 152					259 x 259	267 x 267		152
CSD16126EMCSS	16.00 x 12.00 x 6.00	16	18	CP1612	CP1612G	14.20 x 10.20	14.50 x 10.50	1	8.00
	406 x 305 x 152					361 x 259	368 x 267		203
CSD16166EMCSS	16.00 x 16.00 x 6.00	16	18	CP1616	CP1616G	14.20 x 14.20	14.50 x 14.50	1	8.00
	406 x 406 x 152					361 x 361	368 x 368		203
CSD20166EMCSS	20.00 x 16.00 x 6.00	16	18	CP2016	CP2016G	18.20 x 14.50	18.50 x 14.50	1	10.00
	508 x 406 x 152					462 x 361	470 x 368		254
CSD16208EMCSS	16.00 x 20.00 x 8.00	16	18	CP2016	CP2016G	18.20 x 14.20	14.50 x 18.50	1	8.00
	406 x 508 x 203					462 x 361	368 x 470		203
CSD24208EMCSS	24.00 x 20.00 x 8.00	16	18	CP2420	CP2420G	22.20 x 18.20	22.50 x 18.50	1	12.00
	610 x 508 x 203					564 x 462	572 x 470		305
CSD24248EMCSS	24.00 x 24.00 x 8.00	14	16	CP2424	CP2424G	22.20 x 22.20	22.50 x 22.50	2	5.00
	610 x 610 x 203					564 x 564	572 x 572		127
CSD30248EMCSS	30.00 x 24.00 x 8.00	14	16	CP3024	CP3024G	28.20 x 22.20	28.50 x 22.50	2	5.00
	762 x 610 x 203					716 x 564	724 x 572		127
CSD36308EMCSS	36.00 x 30.00 x 8.00	14	16	CP3630	CP3630G	34.20 x 28.20	34.50 x 28.50	2	5.00
	914 x 762 x 203					869 x 716	876 x 724		127
CSD242412EMCSS	24.00 x 24.00 x 12.00	14	16	CP2424	CP2424G	22.20 x 22.20	22.50 x 22.50	2	5.00
	610 x 610 x 305					564 x 564	572 x 572		127
CSD362412EMCSS	36.00 x 24.00 x 12.00	14	16	CP3624	CP3624G	34.20 x 22.20	34.50 x 22.50	2	5.00
	914 x 610 x 305					869 x 564	876 x 572		127

Purchase panels separately.



CONCEPT Stainless Steel Cabinet Shielding Effectiveness  
 CSD20166EMCSS Shielded Cabinet Compared to CSD20166SS Standard Cabinet

