

REMOVABLE HINGE WITH QUICK-RELEASE LATCH, CONTOURED, TYPE 12



APPLICATION

Featuring a quick-release latch, mounting brackets, rounded corners and an attractive finish, this enclosure can be used in applications where panel or cover mounting of controls is desired. Ideal for protecting equipment from indoor contaminants.

SPECIFICATIONS

- Drawn 16 gauge steel
- No welded seams or sharp corners
- Removable door with unique lift-off hinges
- Cover is removable and interchangeable
- Unique lift-off hinges
- Quick-release latches
- Oil-resistant gasket
- Weldnuts provided for mounting optional panels and terminal block kits
- External welded-on mounting brackets for easy installation
- Bonding provision on door

FINISH

ANSI 61 gray polyester powder paint inside and out

ACCESSORIES

See also *Accessories*.

Panels for Junction Boxes

Terminal Block Kit Assembly for Junction Boxes Overview

Steel and Stainless Steel Window Kits

MODIFICATION AND CUSTOMIZATION

Hoffman excels at modifying and customizing products to your specifications. Contact your local Hoffman sales office or distributor for complete information.

BULLETIN: A51

INDUSTRY STANDARDS

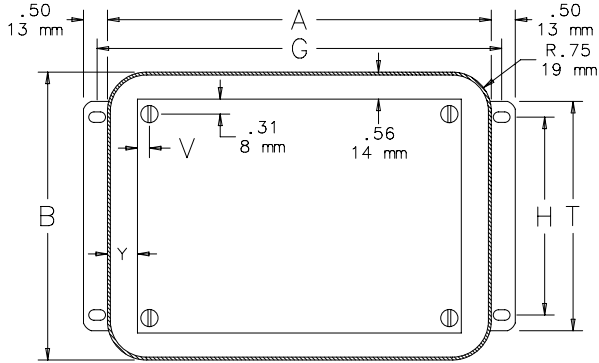
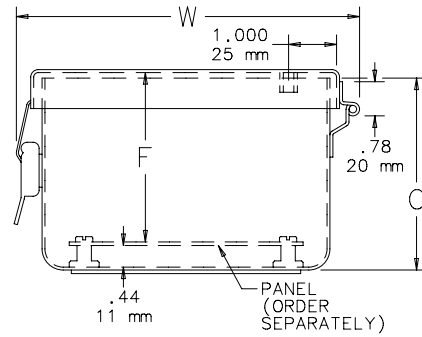
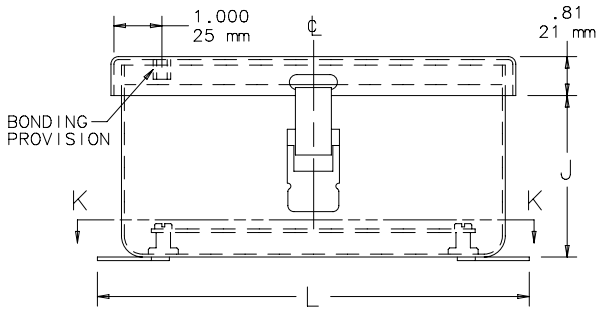
UL 508A Listed; Type 12, 13; File No. E61997
 cUL Listed per CSA C22.2 No. 94; Type 12, 13; File No. E61997

NEMA/EEMAC Type 12 and 13
 IEC 60529, IP65

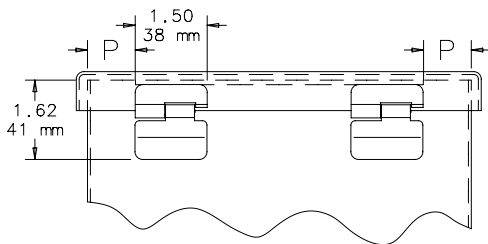
Standard Product

Catalog Number	AxBxC in./mm	Panel	Conductive Panel	Panel Size in./mm	Mounting G x H in./mm	Overall L x W in./mm	F in./mm	J in./mm	P in./mm	T in./mm	V in./mm	Y in./mm
A664DL	6.00 x 6.00 x 4.00 152 x 152 x 102	A6P6	A6P6G	4.88 x 4.88 124 x 124	6.50 x 4.12 165 x 105	7.00 x 7.12 178 x 181	3.59 91	3.33 85	1.00 25	4.75 121	0.31 8	0.56 14
A864DL	8.00 x 6.00 x 4.00 203 x 152 x 102	A8P6	A8P6G	6.75 x 4.88 171 x 124	8.50 x 4.12 216 x 105	9.00 x 7.12 229 x 181	3.59 91	3.33 85	1.00 25	4.75 121	0.25 6	0.62 16
A1084DL	10.00 x 8.00 x 4.00 254 x 203 x 102	A10P8	A10P8G	8.75 x 6.88 222 x 175	10.50 x 4.12 267 x 105	11.00 x 9.12 279 x 232	3.59 91	3.33 85	1.00 25	4.75 121	0.25 6	0.62 16
A12104DL	12.00 x 10.00 x 4.00 305 x 254 x 102	A12P10	A12P10G	10.75 x 8.88 273 x 226	12.50 x 8.12 318 x 206	13.00 x 11.12 330 x 282	3.59 91	3.33 85	1.25 32	8.75 222	0.25 6	0.62 16
A666DL	6.00 x 6.00 x 6.00 152 x 152 x 152	A6P6	A6P6G	4.88 x 4.88 124 x 124	6.50 x 4.12 165 x 105	7.00 x 7.12 178 x 181	5.59 142	5.33 135	1.00 25	4.75 121	0.31 8	0.56 14
A866DL	8.00 x 6.00 x 6.00 203 x 152 x 152	A8P6	A8P6G	6.75 x 4.88 171 x 124	8.50 x 4.12 216 x 105	9.00 x 7.12 229 x 181	5.59 142	5.33 135	1.00 25	4.75 121	0.25 6	0.62 16
A1086DL	10.00 x 8.00 x 6.00 254 x 203 x 152	A10P8	A10P8G	8.75 x 6.88 222 x 175	10.50 x 4.12 267 x 105	11.00 x 9.12 279 x 232	5.59 142	5.33 135	1.00 25	4.75 121	0.25 6	0.62 16
A12106DL	12.00 x 10.00 x 6.00 305 x 254 x 152	A12P10	A12P10G	10.75 x 8.88 273 x 226	12.50 x 8.12 318 x 206	13.00 x 11.12 330 x 282	5.59 142	5.33 135	1.25 32	8.75 222	0.25 6	0.62 16
A12108DL	12.00 x 10.00 x 8.00 305 x 254 x 203	A12P10	A12P10G	10.75 x 8.88 273 x 226	12.50 x 8.12 318 x 206	13.00 x 11.12 330 x 282	7.59 193	7.33 186	1.25 32	8.75 222	0.25 6	0.62 16

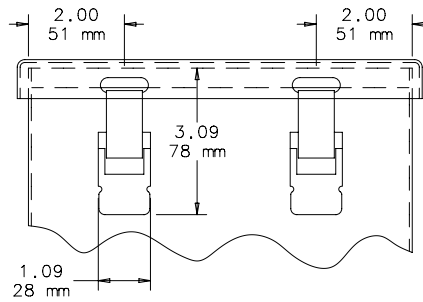
Purchase panels separately. Optional stainless steel, conductive, composite and aluminum panels are available for most sizes.



SECTION K-K



View showing hinge side of box.



87573750

View showing latch side of box when two latches are used. When A=12.00 (305mm), use two latches.