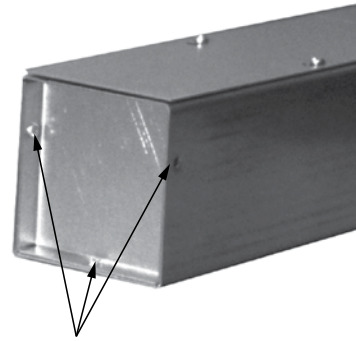


WIRING TROUGH, NEMA TYPE 1



Joining Locations

INDUSTRY STANDARDS

UL 870 Listed; File No. E27524
 cUL CSA C22.2 No. 26 Listed; File No. E27524

NEMA/EEMAC: Type 1
 IEC 60529, IP30

APPLICATION

Using a unique joining method that mechanically locks components together without fasteners or heat, this wiring trough ships completely assembled to save both time and labor. Designed for indoor use, this trough is available in various lengths.

FEATURES

- Keyhole screw slots in cover
- Shipped completely assembled—no end caps to install
- Mounting holes on the back of the enclosure
- Flat cover fastened with plated steel screws
- No gasketing or knockouts

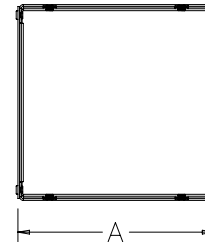
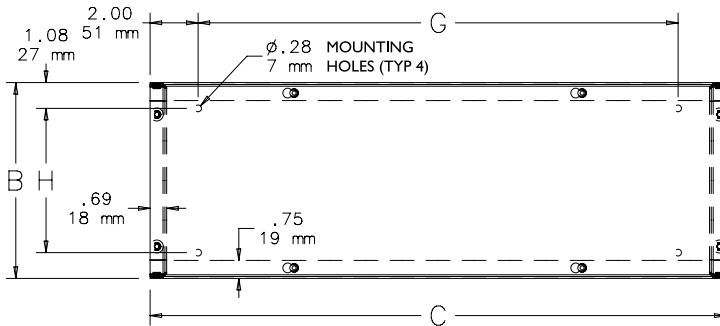
SPECIFICATIONS

- 16 or 14 gauge plated steel

FINISH

Unpainted plated steel

BULLETIN: F40T1



87572058

Standard Product

Catalog Number	AxBxC in./mm	Gauge	Mounting G in./mm	Mounting H in./mm
A4412T1T	4.00 x 4.00 x 12.00 102 x 102 x 305	16	8.00 203	2.00 51
A4424T1T	4.00 x 4.00 x 24.00 102 x 102 x 610	16	20.00 508	2.00 51
A4436T1T	4.00 x 4.00 x 36.00 102 x 102 x 914	16	24.00 610	2.00 51
A4448T1T	4.00 x 4.00 x 48.00 102 x 102 x 1219	16	36.00 914	2.00 51
A4460T1T	4.00 x 4.00 x 60.00 102 x 102 x 1524	16	48.00 1219	2.00 51
A4472T1T	4.00 x 4.00 x 72.00 102 x 102 x 1829	16	60.00 1524	2.00 51
A4496T1T	4.00 x 4.00 x 96.00 102 x 102 x 2438	16	84.00 2134	2.00 51
A6612T1T	6.00 x 6.00 x 12.00 152 x 152 x 305	16	8.00 203	4.00 102
A6624T1T	6.00 x 6.00 x 24.00 152 x 152 x 610	16	20.00 508	4.00 102
A6636T1T	6.00 x 6.00 x 36.00 152 x 152 x 914	16	24.00 610	4.00 102
A6648T1T	6.00 x 6.00 x 48.00 152 x 152 x 1219	16	36.00 914	4.00 102
A6660T1T	6.00 x 6.00 x 60.00 152 x 152 x 1524	16	48.00 1219	4.00 102
A6672T1T	6.00 x 6.00 x 72.00 152 x 152 x 1829	16	60.00 1524	4.00 102
A6696T1T	6.00 x 6.00 x 96.00 152 x 152 x 2438	16	84.00 2134	4.00 102
A8824T1T	8.00 x 8.00 x 24.00 203 x 203 x 610	14	8.00 203	6.01 153
A8836T1T	8.00 x 8.00 x 36.00 203 x 203 x 914	14	20.00 508	6.01 153
A8848T1T	8.00 x 8.00 x 48.00 203 x 203 x 1219	14	36.00 914	6.01 153
A8860T1T	8.00 x 8.00 x 60.00 230 x 600 x 1524	14	48.00 1219	6.01 153
A8872T1T	8.00 x 8.00 x 72.00 203 x 203 x 1829	14	60.00 1524	6.01 153
A8896T1T	8.00 x 8.00 x 96.00 203 x 203 x 2438	14	84.00 2134	6.01 153
A101048T1T	10.00 x 10.00 x 48.00 254 x 254 x 1219	14	36.00 914	8.01 203
A121224T1T	12.00 x 12.00 x 24.00 305 x 305 x 610	14	8.00 203	10.01 254
A121236T1T	12.00 x 12.00 x 36.00 305 x 305 x 914	14	20.00 508	10.01 254
A121248T1T	12.00 x 12.00 x 48.00 305 x 305 x 1219	14	36.00 914	10.01 254
A121260T1T	12.00 x 12.00 x 60.00 305 x 305 x 1524	14	48.00 1219	10.01 254
A121272T1T	12.00 x 12.00 x 72.00 305 x 305 x 1829	14	60.00 1524	10.01 254
A121296T1T	12.00 x 12.00 x 96.00 305 x 305 x 2438	14	84.00 2134	10.01 254
A1212120T1T	12.00 x 12.00 x 120.00 305 x 305 x 3048	14	108.00 2743	10.01 254