

FILTER BOX FANS



INDUSTRY STANDARDS

UL Recognized Motor

CSA Certified Motor

APPLICATION

Thermal filter boxes are high volume air movers that require minimal enclosure space. Repositionable mounting ears allow the fans to be mounted internally or externally, and used for either intake or exhaust.

FEATURES

- Inlet Guard
- Outlet Guard
- Power Cord
- 5-15 plug available on catalog numbers ending with "M" only
- Permanently lubricated ball bearing motors
- 100% functionally tested

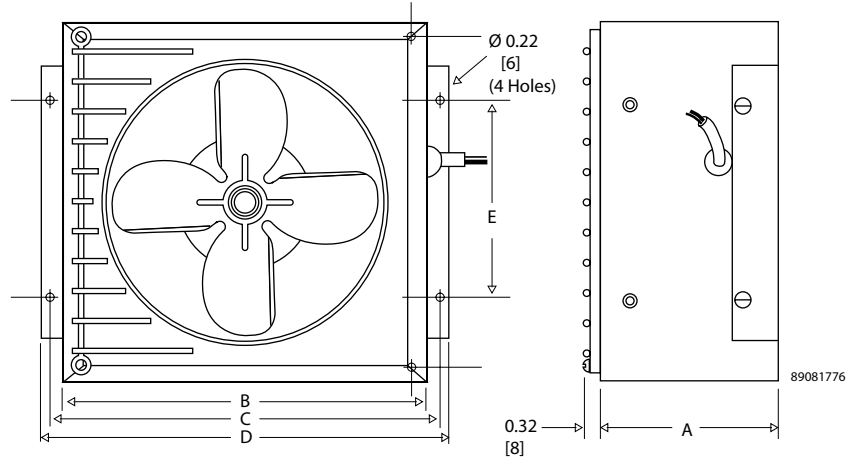
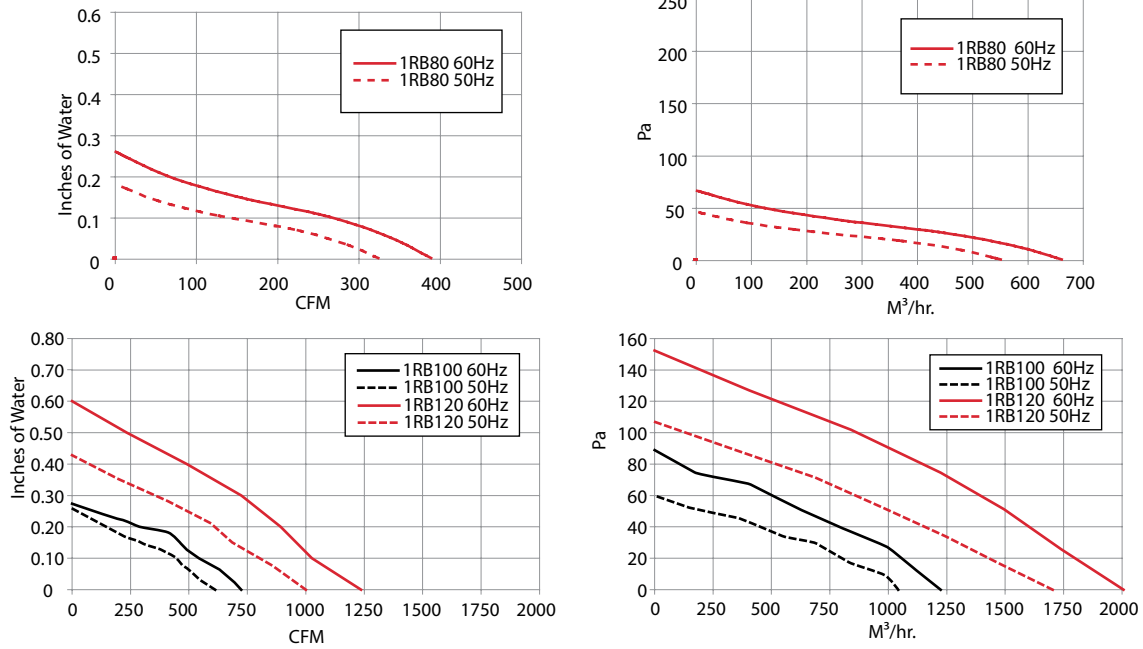
SPECIFICATIONS

- 115 VAC
- 50/60Hz

Performance Data Filter Box Fans

ELECTRICAL DATA		
Rated Voltage	115	115
Frequency (Hz)	50/60	50/60
Maximum Operating Temperature [°F/°C]	104/40	104/40
1RB80 Models		
Catalog Numbers	1RB80	1RB80M
Free Airflow (CFM/M ³ /hr.)	390/699	390/699
RPM	1600	1600
Nominal Run Current Maximum (Amps)	1.1	1.1
Nominal Start Current Maximum (Amps)	1.5	1.5
Power Consumption (Watts)	80	80
Filter	N/A	Aluminum
Weight (lb./kg)	10/4.5	10/4.5
1RB100 Models		
Catalog Numbers	1RB100	1RB100M
Free Airflow (CFM/M ³ /hr.)	675/1147	675/1147
RPM	1600	1600
Nominal Run Current Maximum (Amps)	1.2	1.2
Nominal Start Current Maximum (Amps)	1.5	1.5
Power Consumption (Watts)	90	90
Filter	N/A	Aluminum
Weight (lb./kg)	12/5.4	12/5.4
1RB120 Models		
Catalog Numbers	1RB120	1RB120M
Free Airflow (CFM/M ³ /hr.)	1200/2151	1200/2151
RPM	1500	1500
Nominal Run Current Maximum (Amps)	1.5	1.5
Nominal Start Current Maximum (Amps)	2.5	2.5
Power Consumption (Watts)	160	160
Filter	N/A	Aluminum
Weight (lb./kg)	24/10.8	24/10.8

Performance Curves Filter Box



Design Data Filter Box

CATALOG NUMBERS	A in./mm	B in./mm	C in./mm	D in./mm	E in./mm
1RB80	4.50/114	8.88/226	9.56/243	10.13/257	4.88/124
1RB80M	4.50/114	8.88/226	9.56/243	10.13/257	4.88/124
1RB100	4.50/114	12.13/308	12.81/325	13.38/340	6.13/156
1RB100M	4.50/114	12.13/308	12.81/325	13.38/340	6.13/156
1RB120	7.38/187	15.13/384	15.81/402	16.38/416	9.00/229
1RB120M	7.38/187	15.13/384	15.81/402	16.38/416	9.00/229