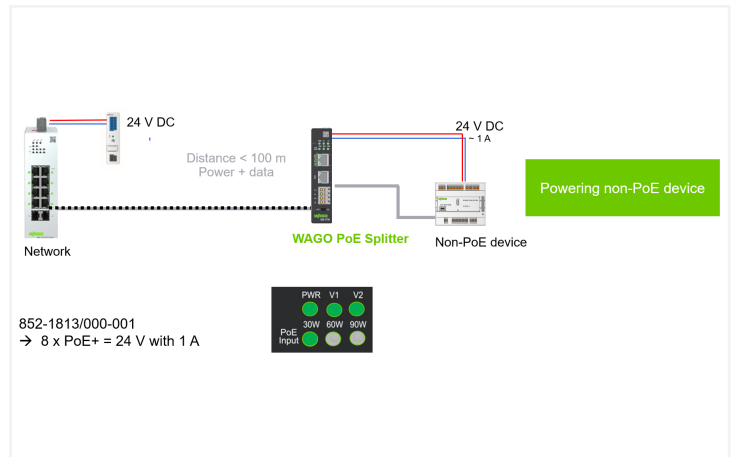
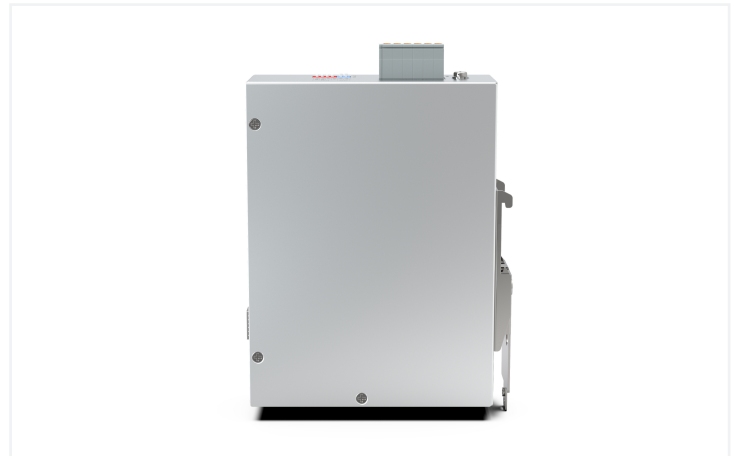


# Data Sheet | Item Number: 852-1813/000-001

Lean Managed Switch; 8 Ports 1000Base-T; 2-Slot 1000BASE-SX/LX; 8 \* Power over Ethernet



<https://www.wago.com/852-1813/000-001>



## Power over Ethernet



Energy from the PSE

15,4 W

IEEE 802.3af PoE

30 W

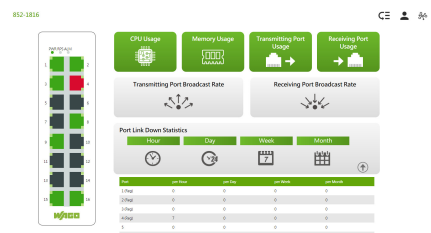
IEEE 802.3at PoE+

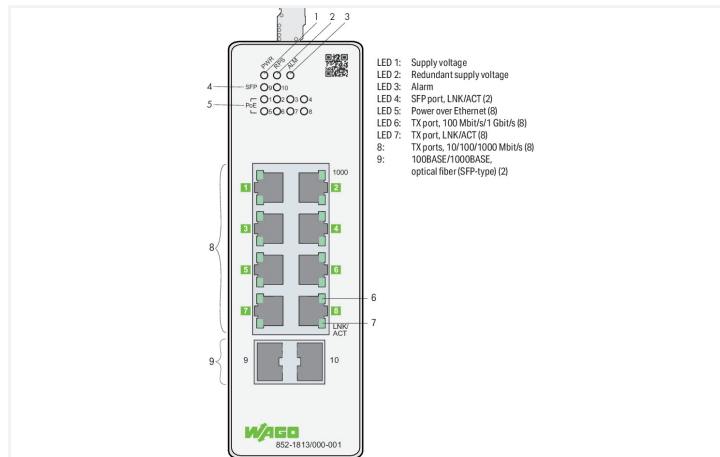
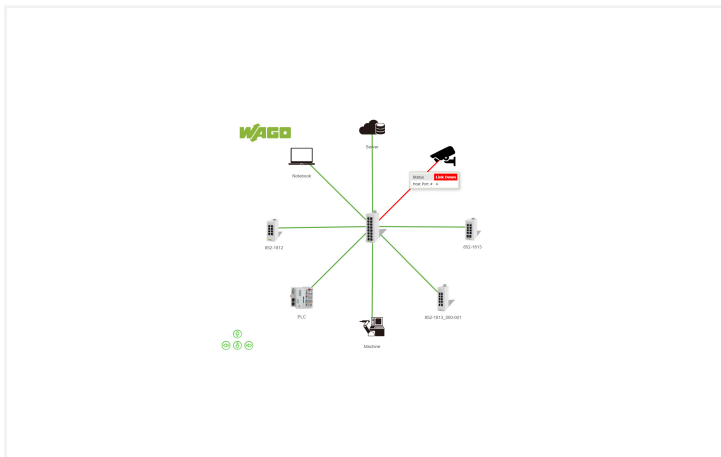
60 W

IEEE 802.3bt PoE++ (4PPoE)

90 W

IEEE 802.3bt PoE++ (4PPoE)





The configurable 852-1813/000-001 Industrial ETHERNET Switch features eight 10/100/1000BASE-T ports that all support Power over Ethernet (PoE+) at 30 W, and has two 100BASE-FX/1000BASE-LX/SX/ZX SFP ports (SFP modules are available as an option).

All eight PoE+ ports can be operated simultaneously (PoE power budget: 24 VDC = 120 W or 48 VDC = 240 W).

Packaged in a rugged housing, this switch offers both a redundant power supply and relay-based function monitoring. This device also streamlines network management: Commissioning and diagnostics are intuitive and can be performed without extensive IT knowledge. The topology map clearly displays the switch and connected devices. Key diagnostic information is displayed on the diagnostics dashboard.

The following functions increase the robustness, availability and security of the network.

**Security:**

Network segmentation per IEEE802.1Q (max. 5 VLANs), authentication of network participants per IEEE802.1X, firewall functions using access-control list (max. 32 entries)/service control, port security

**Availability:**

Rapid Spanning Tree Protocol (RSTP) for meshed and ring networks, ETHERNET Ring Protection Switching (ERPS) for up to two rings per switch, loop detection and storm control on each port

**Configuration/Diagnostics/Maintenance:**

Port mirroring, Modbus® registers, SNMP v3, SNMP trap events, alarm threshold, port statistics, backup and restore, system log, syslog server, command line interface with SSH/Telnet, topology map and dashboard

Technical data	
Switching mode	Store-and-forward; non-blocking
Number of 1 Gb/s ports	8
Number of 1 Gb/s ports SFP	2
Communication standards	IEEE 802.3 10BASE-T IEEE 802.3u 100BASE-TX/FX IEEE 802.3ab 1000BASE-T IEEE 802.3x Flow Control IEEE 802.1d Spanning Tree Protocol (STP) IEEE 802.1w Rapid Spanning Tree Protocol (RSTP) IEEE 802.1Q VLAN Tagging IEEE 802.1p Prioritization IEEE 802.1X Port Authentication IEEE 802.1ab Link Layer Discovery Protocol (LLDP) IEEE 802.3af Power over Ethernet (PoE) IEEE 802.3at High Power over Ethernet (PoE+) IEEE 802.3az Energy Efficient Ethernet ITU-T G8032v1/v2 Ethernet Ring Protection Switching (ERPS)
Redundancy function	Redundant DC power supply; STP; RSTP; ERPSv1/v2 (max. 2 rings per switch, max. 16 switches per ring, switching time < 800 ms)
Configuration options	DIP switch for signal contact Web-Based Management Command Line Interface SNMPv1/v2c/v3
Diagnostics	Signal contact; Modbus TCP; port status; port statistics; port load; traffic monitor; syslog; SNMP traps; loop detection; diagnostics dashboard; topology map Alarm contact; Alarm relay; NO; 1 A at 24 VDC
Security	Access-control list with max. 32 entries; port security; IEEE 802.1X authentication
MAC table (size)	8000 addresses
Jumbo frame size	10000 bytes
Supply voltage	24 ... 57 VDC
Power consumption (max.)	13 W
Power consumption (note)	253 W with 8 PoE+; 30 W per port

### Technical data

Current consumption (max.)	6000 mA
ESD (contact/air discharge)	8 KV / 15 KV
Transmission rate	Copper cable: 10/1000 Mbit/s; Fiber optic:1000 Mbit/s
Transmission medium (communication/fieldbus)	Fiber optic: SX Multi-Mode, LX Single-Mode
Optical fiber type	Single-mode and multi-mode
VLAN	Port-based and tag-based (max. 5 VLANs)

### Connection Data

Connection technology: communication/fieldbus	Copper cable: 8 x RJ-45; Fiber optic: 2 x SFP slots (e.g., with SFP module and LC fiber-optic connector)
---	--

### Physical data

Width	50 mm / 1.969 inches
Height	160 mm / 6.299 inches
Depth	120 mm / 4.724 inches

### Mechanical data

Mounting type	DIN-35 rail
---------------	-------------

### Material data

Weight	560 g
Conformity marking	CE

### Environmental requirements

Ambient temperature (operation)	-40 ... +60 °C
Ambient temperature (storage)	-40 ... +85 °C
Protection type	IP30
Note on protection type	Use per UL 61010: Indoor
Pollution degree	2 per UL 61010
Relative humidity (without condensation)	95 %
Vibration resistance	Per IEC 60068-2-6
Shock resistance	per IEC 60068-2-27
EMC immunity to interference	per EN 61000-6-2
EMC emission of interference	per EN 61000-6-4

### Commercial data

PU (SPU)	1 pcs
Packaging type	Box
Country of origin	TW
GTIN	4066966072976
Customs tariff number	85176200000

**Product Classification**

UNSPSC	43222612
ETIM 9.0	EC000734
ETIM 10.0	EC000734
ECCN	5A992.C

**Environmental Product Compliance**

RoHS Compliance Status	Compliant, No Exemption
------------------------	-------------------------

**Approvals / Certificates**

**General approvals** **Declarations of conformity and manufacturer's declarations**



Approval	Standard	Certificate Name
EAC GZO Almaty Standart	TP TC 020/2011	EAC CoC 03083
KC National Radio Research Agency	Article 58-2, Clause 3	MSIP-REM-W43-ISW852
UL Underwriters Laboratories Inc. (ORDINARY LOCATIONS)	UL 61010-2-201	E175199

Approval	Standard	Certificate Name
EU-Declaration of Conformity WAGO GmbH & Co. KG	-	-
UK-Declaration of Conformity WAGO GmbH & Co. KG	-	-

**Downloads**

**Environmental Product Compliance**

**Compliance Search**

Environmental Product Compliance 852-1813/000-001	↓
--	---

**Documentation**

**Manual**

Product Manual Lean Managed Switch	V 1.1.0 24.03.2021	pdf 9483.52 KB	↓
------------------------------------	-----------------------	-------------------	---

**Additional Information**

852-1813/000-001, Lean Managed Switch; 8 1000BASE-T Ports; 2 1000BASE-FX/TX Slots; 8 x Power over Ethernet	pdf 178.53 KB	↓
--	------------------	---

**Bid Text**

852-1813/000-001	docx 32.62 KB	↓
852-1813/000-001	x81 8.42 KB	↓
ausschreiben.de 852-1813/000-001		↓

## CAD/CAE-Data

### CAD data

2D/3D Models  
852-1813/000-001



### CAE data

ZUKEN Portal  
852-1813/000-001



## Runtime Software

### Firmware

0852-1813/0000-0001, Lean-Managed-Switch	V 04 27.02.2024	zip 10183.48 KB
---	--------------------	--------------------



## 1 Compatible Products

### 1.1 Optional Accessories

#### 1.1.1 Plug

##### 1.1.1.1 SFP module



##### Item No.: 852-1210

SFP Module 1000BASE; LX Single-Mode 1310 nm LC; 10 km; Extended temperature range; Digital Diagnostics Monitoring; silver-colored



##### Item No.: 852-1200

SFP Module 1000BASE; SX Multi-Mode 850 nm LC; 0.55 km; Extended temperature range; Digital Diagnostics Monitoring; silver-colored



##### Item No.: 852-1280

SFP Module 1000BASE; ZX Single-Mode 1550 nm LC; 80 km; Extended temperature range; Digital Diagnostics Monitoring; silver-colored



##### Item No.: 852-202

SFP Module 100BASE; FX Multi-Mode 1310 nm LC; 2 km; DDM; Extreme; silver-colored



##### Item No.: 852-201/107-002

SFP Module 100BASE; FX Multi-Mode 1310 nm LC; 2 km; silver-colored



##### Item No.: 852-201/107-030

SFP Module 100BASE; LX Single-Mode 1310 nm LC; 30 km; silver-colored