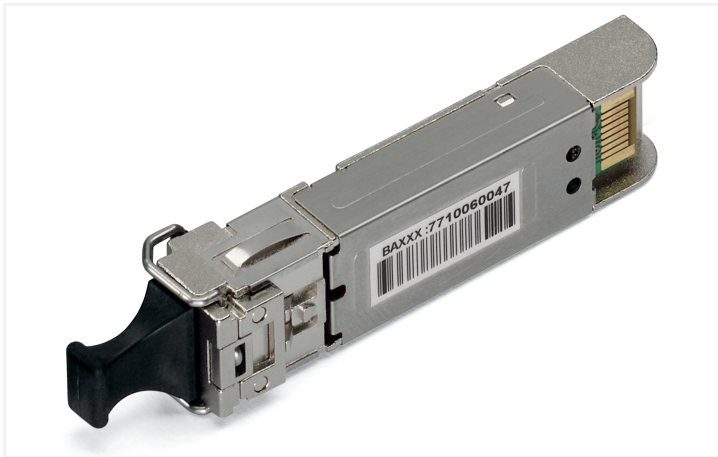


Data Sheet | Item Number: 852-202

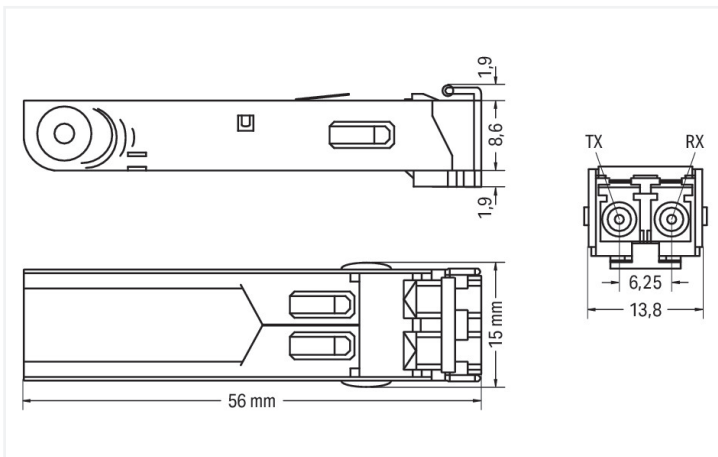
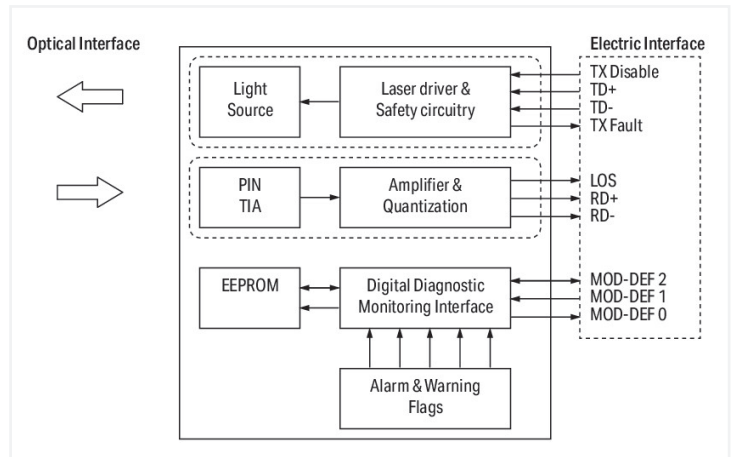
SFP Module 100BASE; FX Multi-Mode 1310 nm LC; 2 km; DDM; Extreme; silver-colored

<https://www.wago.com/852-202>



Color: ■ silver-colored

Similar to illustration



Features:

- Low power
- Coated PCB
- Extended ambient temperature: -40 ...100 °C
- High impulse withstand voltage: DC 1.2 KV
- Duplex LC optical connector
- Small Form-Factor Pluggable (SFP) industry-standard design
- 125Mbps 100BASE-FX, IEEE 802.3 Clause 26
- Compliant with the Fast ETHERNET standard
- Digital Diagnostic Monitoring interface per SFF-8472
- Supply voltage: 3.3 V
- TTL signal detect indicator
- Hot-pluggable capability

Technical data

Optical fiber type	Multi-mode
--------------------	------------

Connection Data

Connection technology: communication/fieldbus	1 x SFP; LC fiber-optic connector
Connection requirement (permissible cable length)	2000 m
Connection requirement (permissible cable type)	Multi-mode fiber 62.5/125 µm, 50/125 µm; Wavelength: 1310 nm

Physical data

Width	13.8 mm / 0.543 inches
Height	8.6 mm / 0.339 inches
Depth	56 mm / 2.205 inches

Material data

Color	silver-colored
Weight	17 g

Environmental requirements

Ambient temperature (operation)	-40 ... +100 °C
Ambient temperature (storage)	-40 ... +100 °C

Commercial data

PU (SPU)	1 pcs
Packaging type	Box
Country of origin	TW
GTIN	4055143394192
Customs tariff number	85176200000

Product Classification

UNSPSC	43223310
ETIM 9.0	EC000309
ETIM 10.0	EC000309
ECCN	5A992.C

Environmental Product Compliance

RoHS Compliance Status	Compliant, No Exemption
------------------------	-------------------------

Approvals / Certificates

General approvals



Approval	Standard	Certificate Name
EAC GZO Almaty Standart	TP TC 020/2011	EAC CoC 03083

Downloads

Environmental Product Compliance

Compliance Search

Environmental Product
Compliance 852-202

