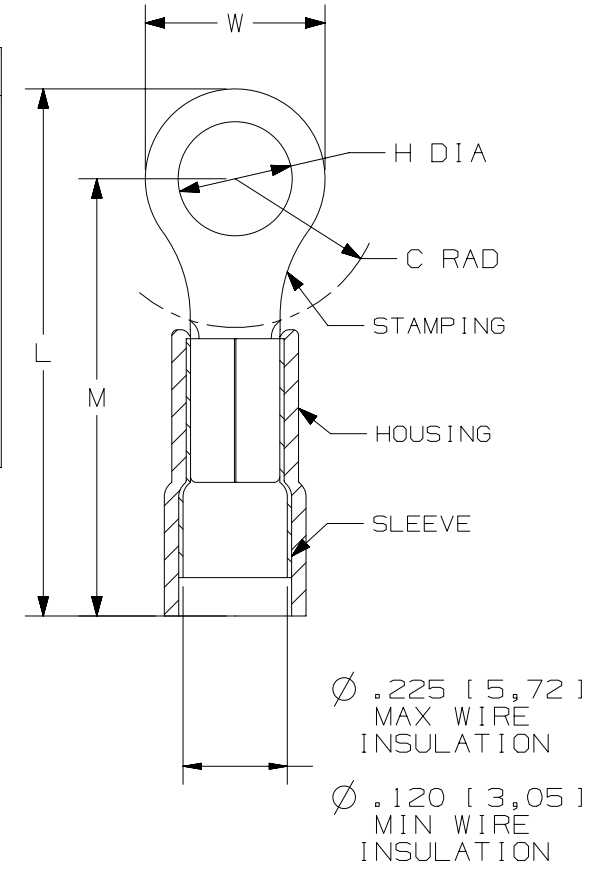


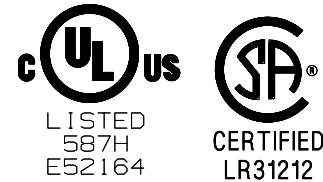
THIS COPY IS PROVIDED ON A RESTRICTED BASIS AND IS NOT TO BE USED IN ANY WAY DETRIMENTAL TO THE INTERESTS OF PANDUIT CORP.

PANDUIT PART #	CLASS 1 MILITARY PART #	STUD SIZE	DIMENSIONS in. [mm]				
			L ± .04 [1,0]	W ± .01 [0,3]	C ± .02 [0,5]	M ± .04 [1,0]	H ± .01 [0,3]
PN10-6R	MS25036-111	#6	1.06 [26,9]	.37 [9,4]	.31 [7,9]	.88 [22,3]	.15 [3,8]
PN10-6RN	-----	#6	1.04 [26,4]	.31 [7,9]	.31 [7,9]	.88 [22,3]	.15 [3,8]
PN10-8R	MS25036-156	#8	1.06 [26,9]	.37 [9,4]	.31 [7,9]	.88 [22,3]	.17 [4,3]
PN10-10R	MS25036-112	#10	1.06 [26,9]	.38 [9,7]	.31 [7,9]	.88 [22,3]	.20 [5,1]
PN10-10RN	-----	#10	1.04 [26,4]	.31 [7,9]	.31 [7,9]	.88 [22,3]	.20 [5,1]
PN10-14R	MS25036-157	1/4"	1.21 [30,7]	.52 [13,2]	.38 [9,7]	.95 [24,1]	.27 [6,9]
PN10-56R	MS25036-113	5/16"	1.21 [30,7]	.52 [13,2]	.38 [9,7]	.95 [24,1]	.33 [8,4]
PN10-38R	MS25036-114	3/8"	1.29 [32,8]	.58 [14,7]	.43 [10,9]	1.00 [25,4]	.39 [9,9]
PN10-12R	-----	1/2"	1.47 [37,3]	.72 [18,3]	.53 [13,5]	1.11 [28,2]	.52 [13,2]

- UL & CSA TOOLS (DIES)**
- CT-100
 - CT-250
 - CT-400
 - CT-460
 - CT-600-A (CT-550CH)
 - *CT-1550
 - *CT-1551
 - CT-2300 (CD-550)
 - CT-2400 (CT-2455CH)
 - CT-2500
 - UP14ZLW (CD-550)
 - CT-2500 (CT-2550CH)
- * NOT UL/CSA WITH #10AWG SOLID COPPER WIRE



- NOTES:**
- UL LISTED AND CSA CERTIFIED FOR:
 - A. 600V. MAX. BLDG. WIRE (1000V. MAX. IN SIGNS, FIXTURES & LUMINARIES)
 - B. 221°F. (105°C) MAX. TEMP. RATING
 - C. #12-10 AWG [4,0-6,0 mm²] STRANDED AND SOLID COPPER
 - MATERIAL:
 - A. STAMPING: .04" [1,02] THK. COPPER, TIN PLATED
 - B. HOUSING: NYLON, YELLOW
 - C. SLEEVE: BRASS, TIN PLATED
 - WIRE STRIP LENGTH: $9/32" \begin{matrix} +1/32 \\ -0 \end{matrix}$ [7,1 mm $\begin{matrix} +0,8 \\ -0 \end{matrix}$]
 - VISIT OUR ON-LINE CATALOG AT WWW.PANDUIT.COM FOR A LIST OF CURRENT PARTS APPLICABLE FOR USE WITH THIS PRODUCT.
 - DIMENSIONS IN [] ARE METRIC
 - WEIGHT: 0.0052 - 0.0061 lbs



PART NUMBER	SEE TABLE	
TITLE	#12-10 RING TERMINALS 3PC. NYLON INSULATED CUSTOMER DRAWING	
ITEM REVISION NAME	N41186BA/14	
DATASET FILE NAME	N41186BA/11 - A41186_REV14	
MATERIAL	SEE NOTES	DRAWING NUMBER A41186
DRAWN BY	DATE	CHK
FES		LA
SCALE	NONE	
SHEET	1 OF 1	

REV	DATE	BY	CHK	APR	DESCRIPTION	ECN
14	2/26	ANVM	ANVM	JSUN	REMOVED MILITARY SPEC CLASS 2 UPDATED NOTES, ADDED UL TOOLS ADDED WEIGHT SPECIFICATION REMOVED PN10-8RN	024453/00
12	7/21	JHNU	JHNU	JADE	ADDED CT-2300 (CD-550), UP147LW (CD-550) TO TOOLS REMOVED "A" FROM CT-100A	102866
11	1/18	JEH	SKB	JADE	ADDED [4,0-6,0 mm ²] TO NOTE 1 C 021478	021478
10	1/16	TMR	TMR	RGB	ADDED cUL, PN10-10RN, PN10-8RN, PN10-6RN, UPDATED PKG QTY NOTE 4, DIM L WAS A, DIM M WAS G, TOOL CHART	A41186

A-SIZE CUSTOMER